

Turbine Drive Water-Reels® Engine Drive Slurry-Reels

T21A E21A

Parts Manual

From S/N 280000.....



AG-RAIN

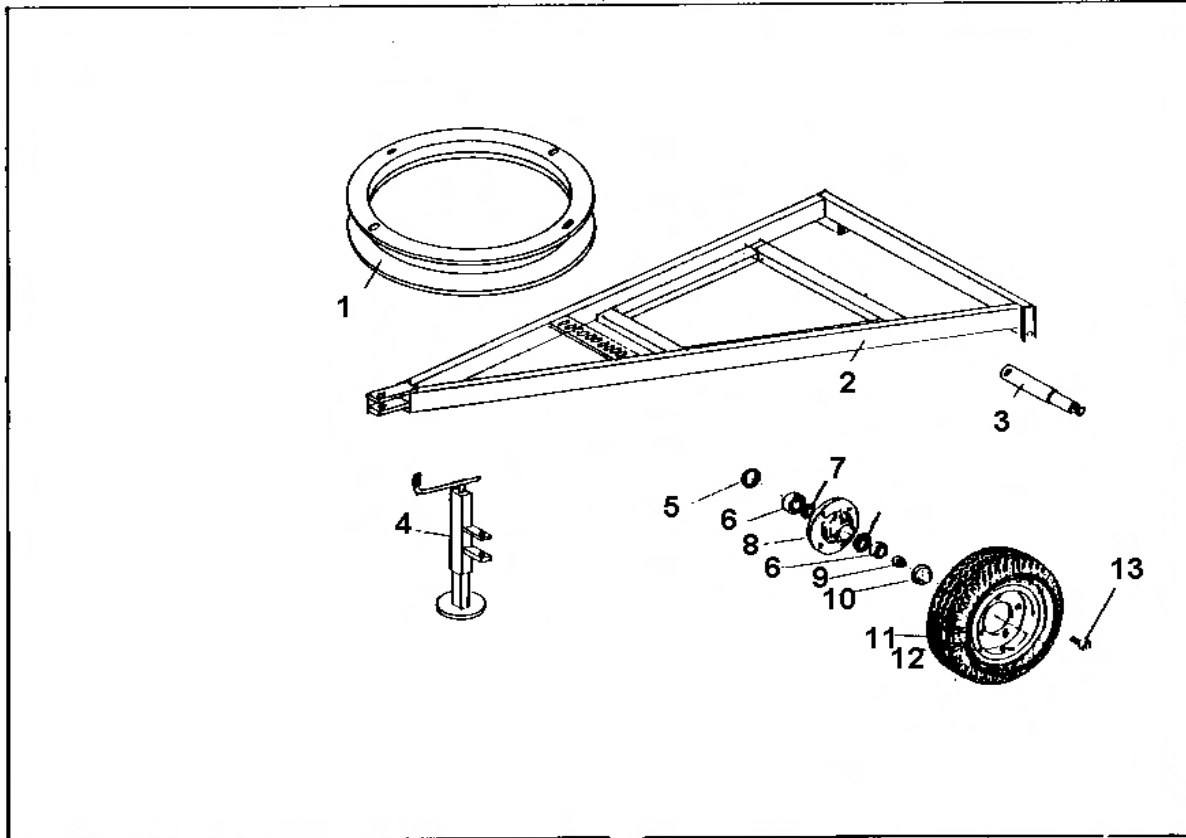
P.O. Box 290 - 600 S. Schrader Ave.

Havana, Illinois 62644

Phone: (309) 543-4425 - Fax (309) 543-4945

Note Some Parts Are Not Available

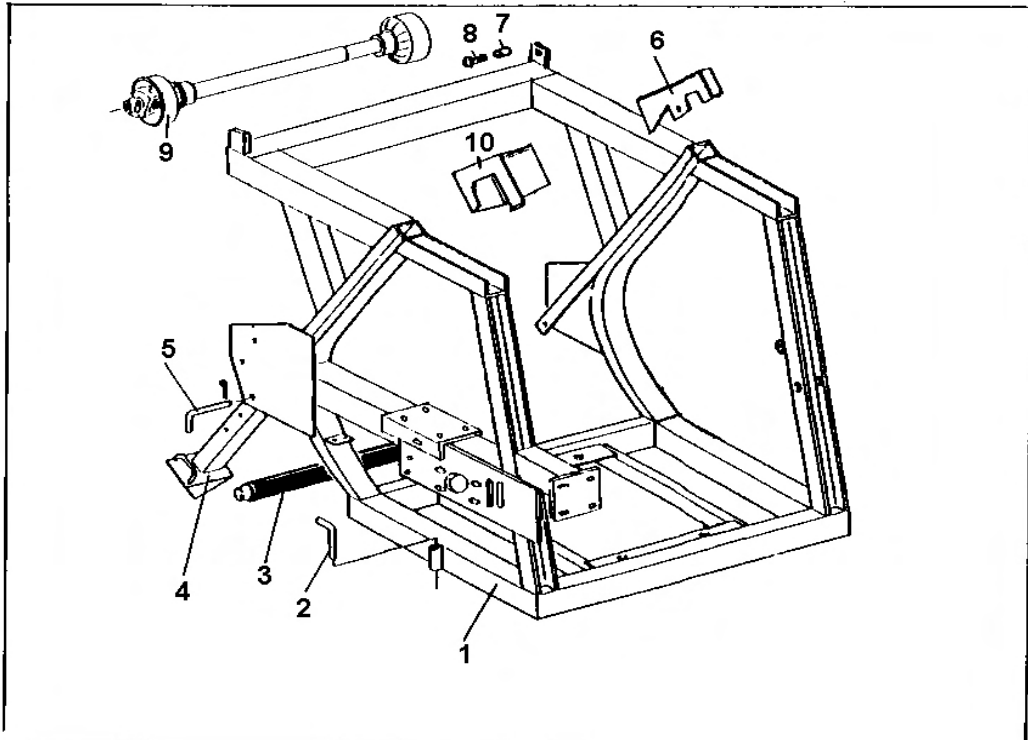
RUNNING GEAR ASSEMBLY



Running Gear Assembly
Description

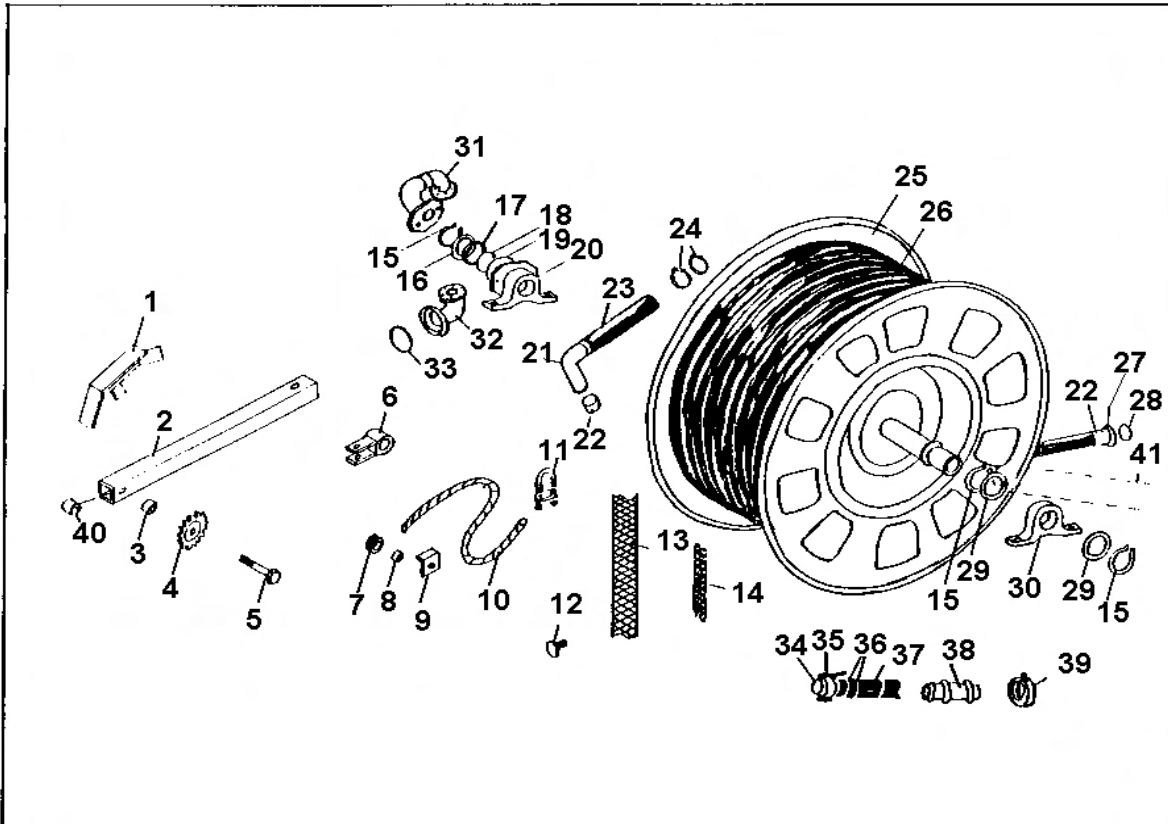
Item	Part Number	Description	Qty.
1	02010201	BEARING,TURNTABLE	1
2		Chassis	1
3	58803512	Spindle, Wilton 280784	2
4	02010171	JACK T21A	1
5	58803565	SEAL,CR12437	2
6	58803563	BEARING,TIMKEN L44643	4
7	58803564	HUB,WITH RACES ONLY W440	2
8	58803562	NUT, SLOTTED NF 3/4"	2
9	58803561	CAP,HUB	2
11	58802480	TIRE 4.8 X 12 4 SUB TO 58602293	2
12	58602293	WHEEL&TIRE,4:80X12 4BOLT	2
13	58803560	BOLT,LUG WILT 913535	8

CRADLE PAGE



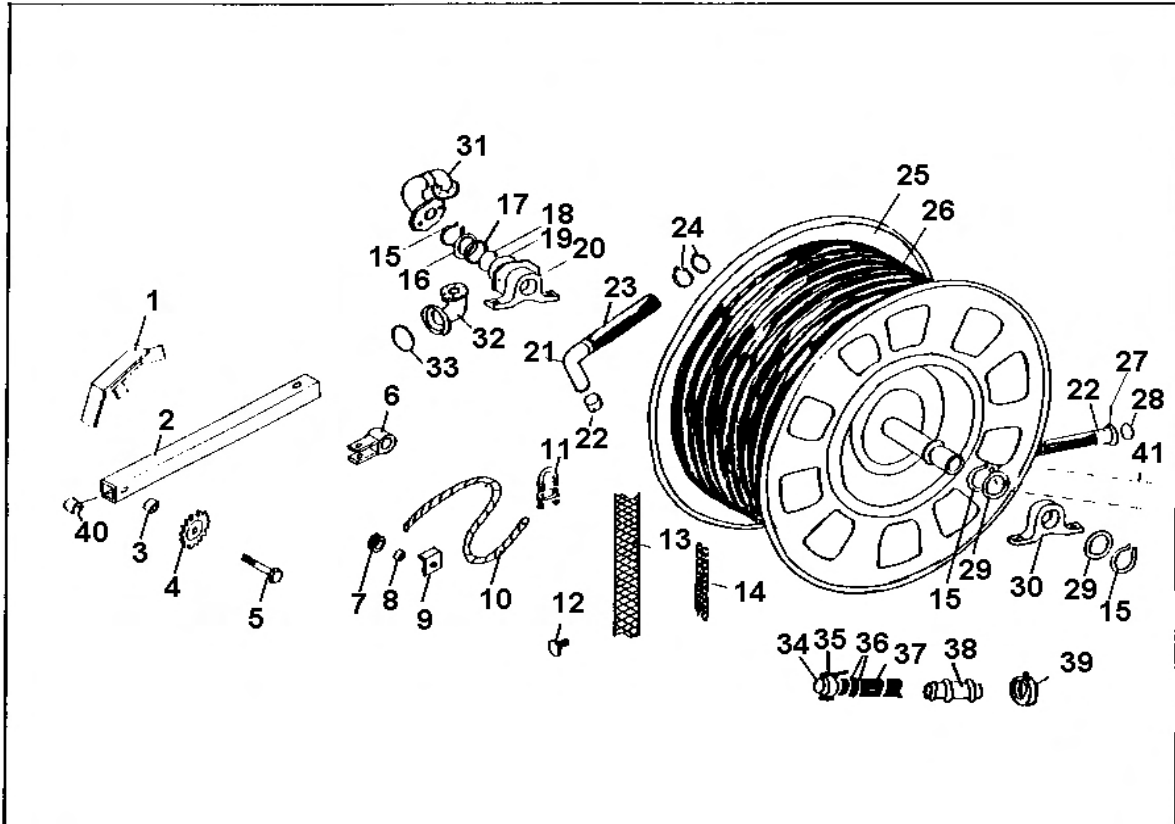
Item	Part Number	Cradle Description	Qty.
1	58803630	Cradle	1
2	02010177	PIN	1
3a	02010202	ROLLER,HORIZONTAL 63TG200	1
3b	02010203	ROLLER COVER	1
4a	02010178	LEG,STABILIZER RIGHT	1
4b	02010174	LEG,STABILIZER LEFT	1
5	02204030	PIN,BRAKE AA	1
6	58901551	Guard, Upper Chain	1
7	58803110	TUBE PTO MT	2
8	55049181	BOLT,3/4 X 3 HEAVY HEX	2
9	30036044	SHAFT,PTO60"OAL#1 BUSH	1
10	58901550	Guard, Lower Chain	1

SPOOL PAGE



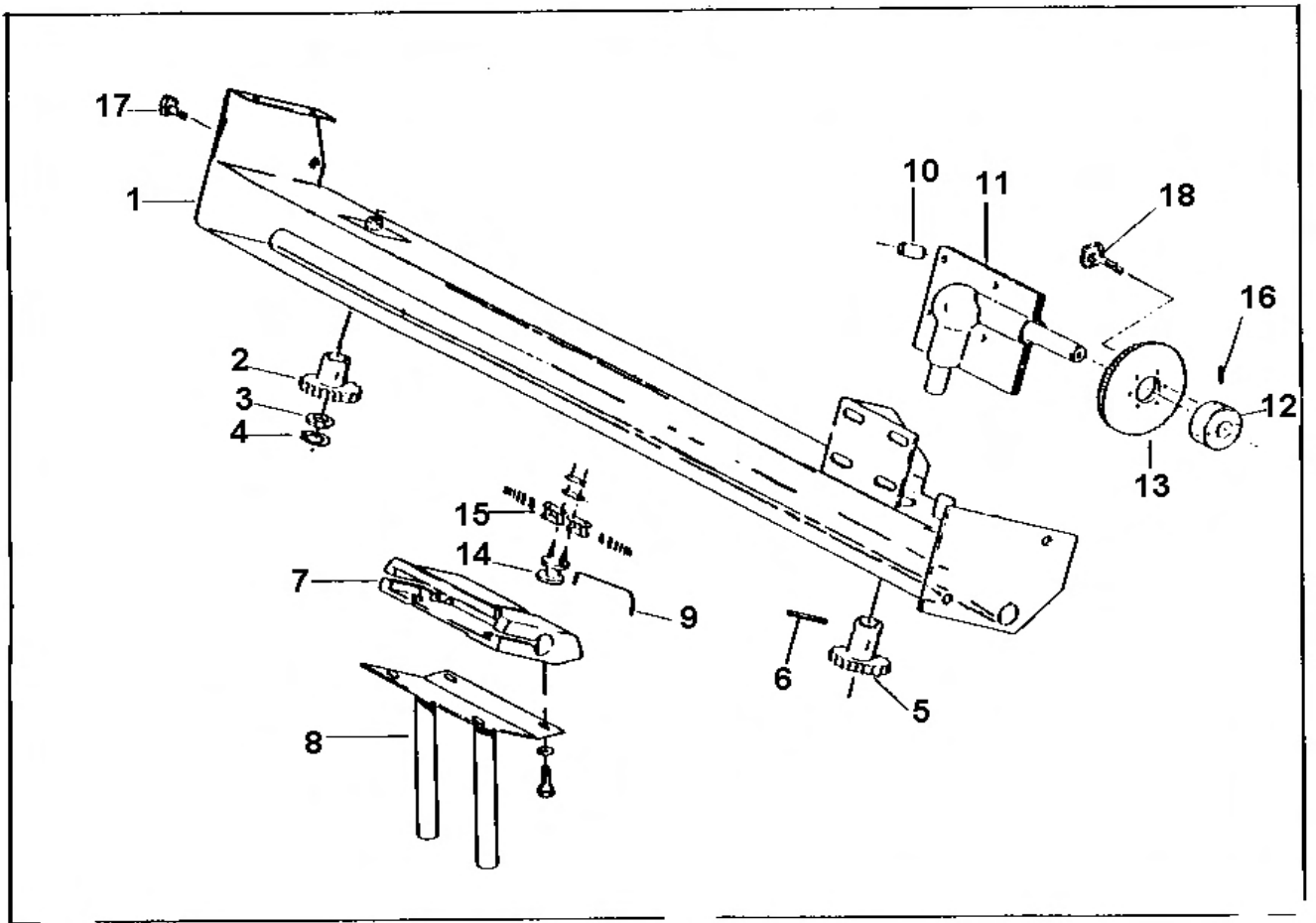
Item	Part Number	Spool Description	Qty.
1	58803330	Guard, Final Drive Chain (T-21)	1
2	58803172	IDLER ARM 21	1
3	58900080	BUSH,STL 1-1/8X3/4X3/4L	1
4	88015690	IDLER,W/BUSH	1
5	55025530	BOLT,3/4 X 5	1
6	58801031	BEARING,IDLER T-21	1
7	40249060	PLLY,WRP17/32X2X7/8B STL	2
8	32551910	BUSH,STL.843X.56X.62L	3
9	58606210	CABLE RETAINER	2
10	75048440	CABLE,1/4-7X19 GAC PER FT	4
11	56048450	CLAMP,SCREW 7/32X5/8	4
12	52357180	BOLT,STEP 5/16 X 1 GR2	6
13	52654186	BELTING 21 1.5 X 10.5FT	1
14	87548480	CHAIN,#80 ROLLER PER FT	ft. 11.3
15	02001031	RING,RET EX .53MM ID2MM	3
16	02001067	SPACER	1
17	02001048	RING,ANTI FRICTION	1
18	02001047	O-RING 2-3/4 X2-3/8 X3/16	1
19	02001046	O-RING 3-7/8 X3-1/2 X3/16	1
20	02001045	BEARING,CI 60MM	1
21	02001041	ELBW,PE TUBE 63MM	1
22	02000448	BAND, HOSE 63MM	2
23	02001068	HOSE,ELBW-AA 13.5" LONG	1
24	03019178	SUPRA CLAMP 63MM-68MM	2
25	58900865	Spool	1
26	58401799	TUBE,PE 63MM X 2.1 ID PER FOOT	660
27	02001074	TUBE END, 3"LEVERLOCK 63MM	1
28	58800223	SEAL RING 3" 4.5 X 3.5 X 1/2	3

SPOOL PAGE



Item	Part Number	Spool Description	Qty.
29	02010032	SPACER, SPOOL AXLE - AA	2
30	02001033	BEARING, CI 60MM ID	1
31	58500176	Elbow Upper T-21	1
32	58801552	FITTING, ENTRY T21&T25	1
33	58800223	SEAL RING 3" 4.5 X 3.5 X 1/2	3
34	58802560	HOSE END, 3" BALL TO 3" HOSE	1
35	58800221	LEVER RING 3" 451 76MM	1
36	03019207	SUPRA CLAMP 79MM-85MM	4
37	25249622	HOSE, IRR SUPPLY REMNANT 3"(PERFT)	ft. 30
38	58802661	HOSE END INLET 3	1
39	40049271	BAND, RING LOCK 3 IN	1
40	58900070	BUSH, STL 1-1/8X3/4X1-3/4L	1
41	87548450	CHAIN, #40 ROLLER PER FT	7.16
42	58803290	Angle	1

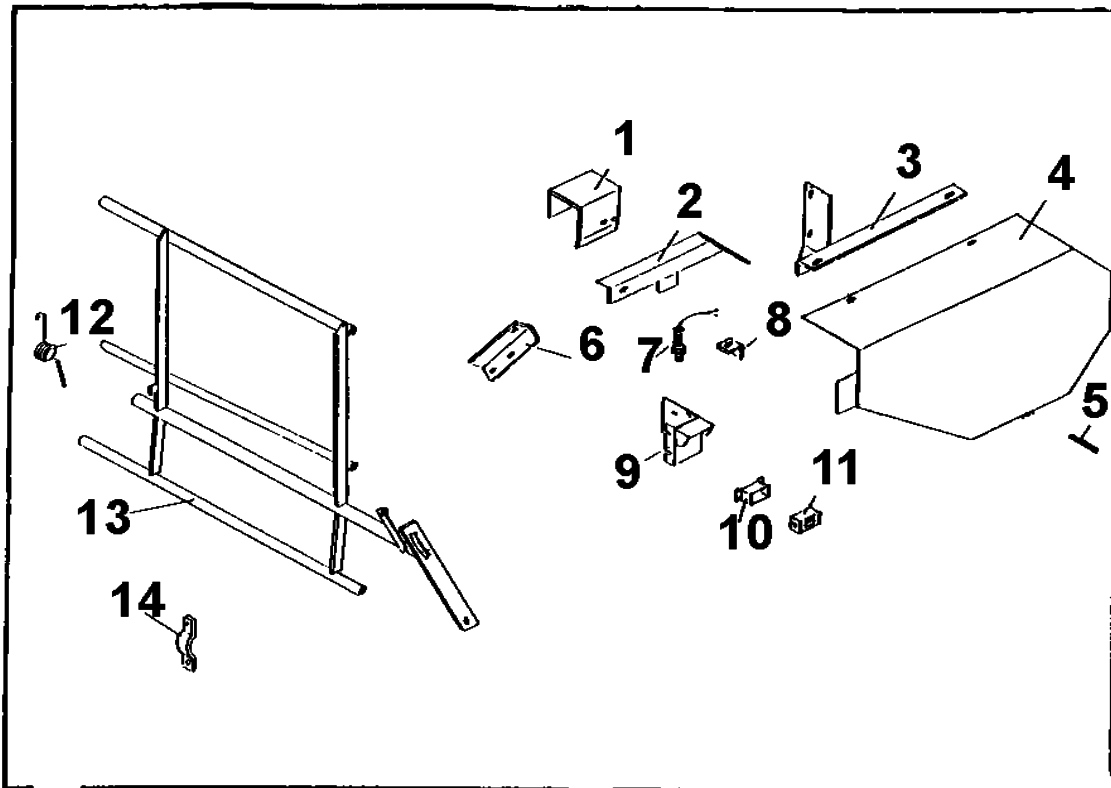
LEVELWIND MECHANISM



LEVELWIND MECHANISM

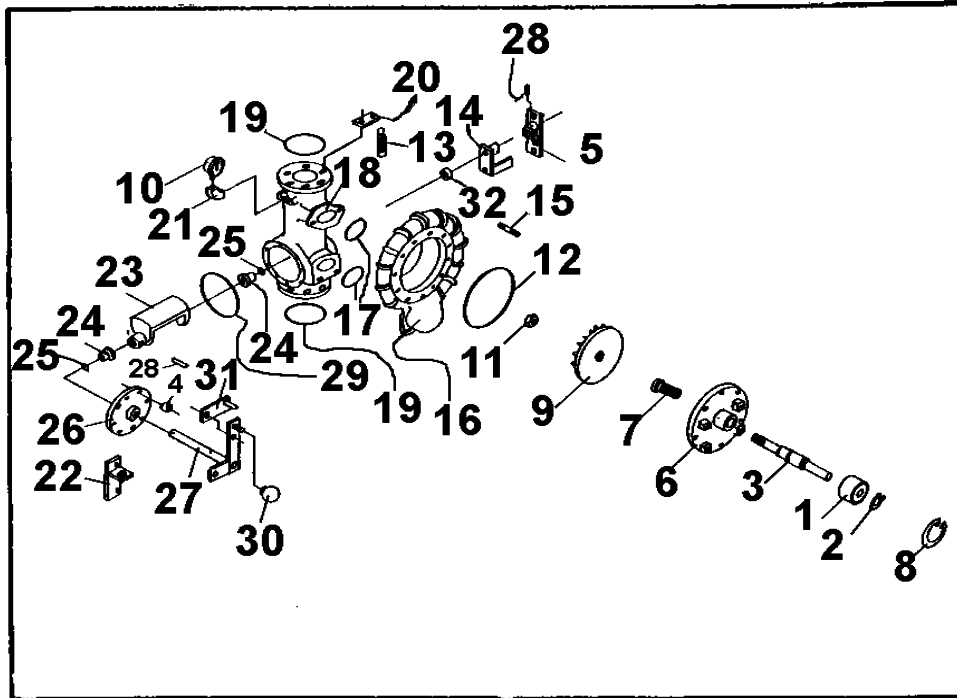
Item	Part Number	Description	Qty.
1	02001077	FRAME,LEVELWIND	1
2	02000475	SPRKT,LVLWND IDLER 13T A1	1
3	02001078	SPACER	4
4	52662540	RING,RET EX	1
5	02000479	SPRKT,LVLWND DRIVER 13T 5/8"	1
6	58902140	PIN,SPRING 7MM X 45MM	1
7	02001080	SUPPORT, FORK - AA	1
8	02000630	FORK, 63MM - AA	1
9	02000776	CLIP,RETAINING	1
10	02001084	SPACER, GEARBOX - A-SERIES	1
11	02001085	GEARBOX,RIGHT ANGLE	1
12	02000153	HUB, SPROCKET	1
13	02000859	SPROCKET .5 X 35 TOOTH	1
14	02000496	LINK, HOSE GUIDE, ROUND END	1
15	02001141	CHAIN 5/8 METRIC ROLLER PER FT. (114 Rollers)	6 ft.
16	02000152	SCREW,12MMX25MM DOGPOINT(7.5MM DIA)	1
17	55050000	Bolt, M8 x 30MM	1
18	55050010	Bolt, M8 x 25MM	1

HOSE RETENTION BAR



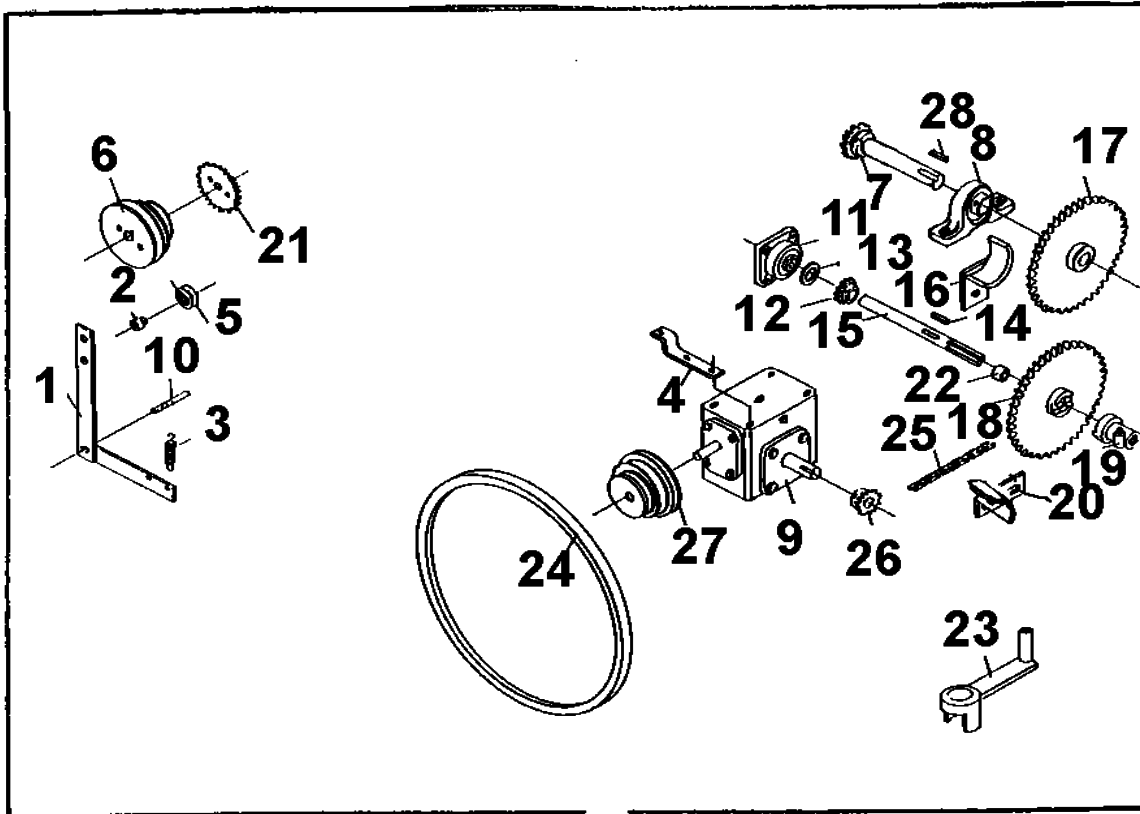
Item	Part Number	Description	Qty.
1	58802410	GUARD,BELT ALL T SERIES	1
2	58803330	Guard final Drive Chain	1
3	58802270	Bracket, Guard	1
4	58802389	Guard, T-21	1
5	58803520	Bolt, All-Thread 3/8 x 6-1/2	1
6	58803290	Angle	1
7	58804660	PICK UP,TACH RD LIONMP62A	1
8	58902090	Mt. Sensor	1
9	28804711	Guard, Turbine Belt	1
10	58804671	CASE,BASE MT BMK-2 RDLIN	1
11a	58804650	TACH DSPLY RD LION DITAK5	1
11b	58804661	BATTERY, BNA-00-000/D	2
12	02200166	SPRING, COIL - SHUT OFF	1
13	58901965	BAR, COMPENSATION - T21	1
14	02001090	Retainer	1

Turbine Assembly Page



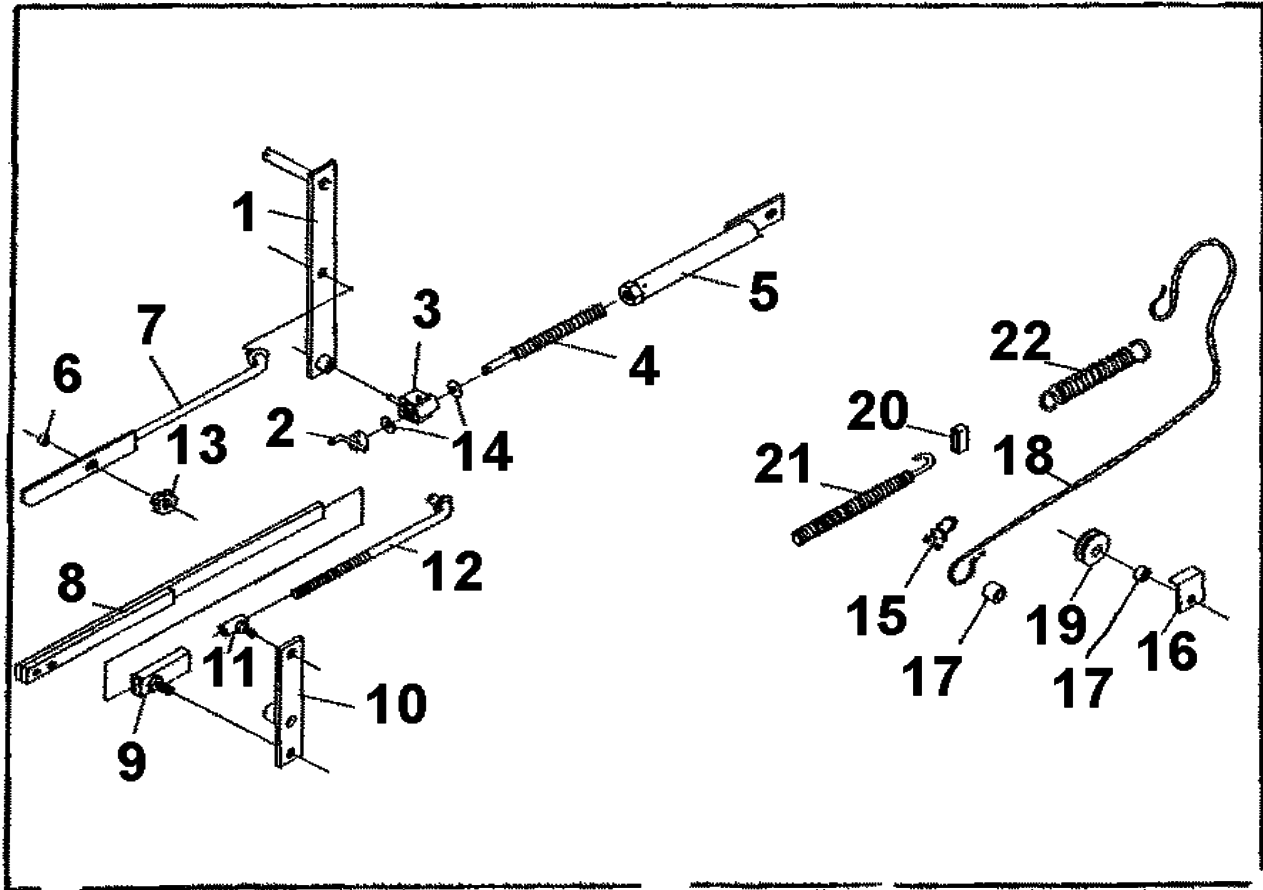
Item	Part Number	Description	Qty.
1	52356941	BEARING,40MMX17MMX11/16"OAL	1
2	52662541	RING,RET EX	2
3	58804541	SHAFT,RNR SINGLES 100	1
4	58505530	BUSH,STL 5/8X.35X.56 OAL	1
5	59000190	ARM,SHUT OFF	1
6	27748743	FACE PLATE,5/8 SNGL SEAL	1
7	46534350	SEAL,MECH 5/8"ID	1
8	52358570	RING,RET	1
9	27748722	RUNNER, .5 - PP100	1
10	58606750	GAUGE, PRESS 0-300	1
11a	55248510	NUT,JAM NF 1/2	1
11b	55448650	WASHER,STAR EXTRNL 1/2"	1
12	46548500	O-RING 5-15/16X5-3/4X3/32	1
13	45035360	SPRING TNSN 1 X 6 PLATED	1
14	59000220	Arm Compensator	1
15	55049020	STUD,SS 1/4-20X1-1/2 SPEC	8
16	27748671	VOLUTE, PP-100	1
17	46548670	O-RING 2-5/8X2-3/8X1/8	2
18	27648532	DIVERTER 100 THRU DRILLED	1
19	02210370	O-RING, 3.35" ID X .210" CS	2
20	58802401	Spring Holder	1
21	52506151	ELBW,STRT BR 1/4X90	1
22	58804140	GATE SHAFT STOP PP-100	1
23	27748701	GATE, PP-100	1
24	51148500	BEARING,O FL 5/8X1/2X5/8 LNG	2
25	46548600	O-RING 5/8 X 1/2 X 1/16	2
26	27648541	PLATE,COVER PP-100	1
27	58505390	SHAFT, GATE	1
28	55648460	PIN,SPRING 3/16 X 1	1
29	46548590	O-RING 3-11/16X3-1/2X3/32	1
30	30249150	KNOB,BALL 3/8-16 FEMALE THREADS	1
31	58505540	LATCH	1
32	51348450	COLLAR,SET 1/2"	1

KEY, 3/8 SQ X 1-1/2



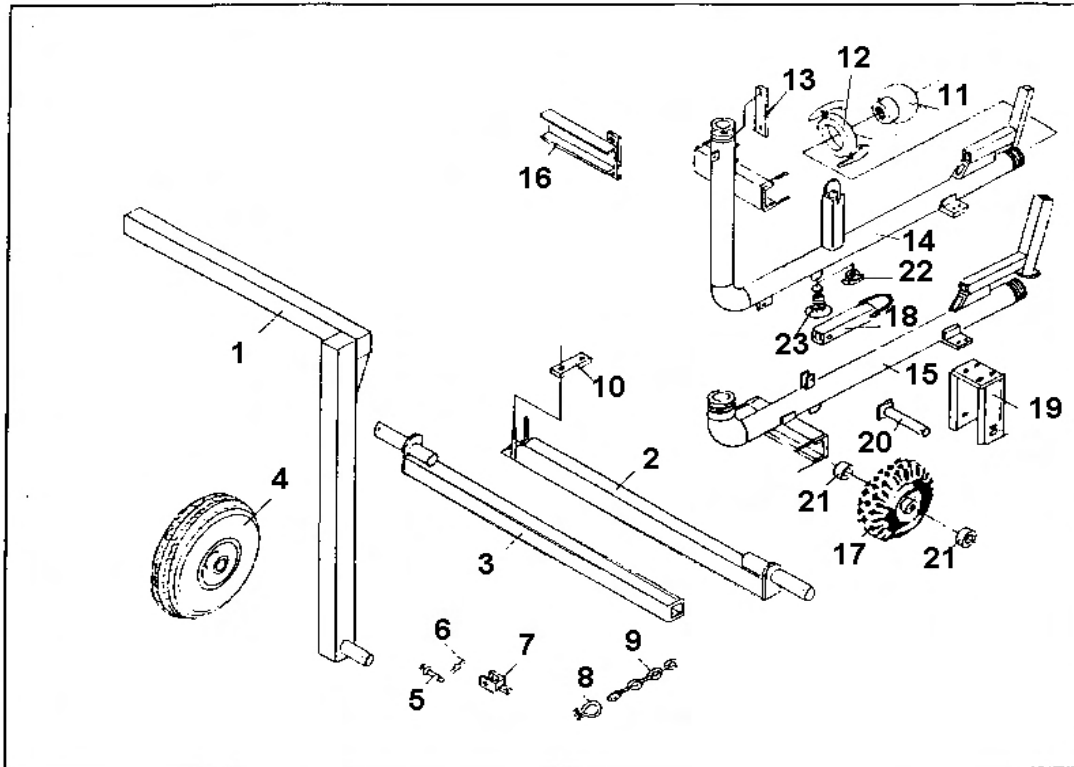
Item	Part Number	Description	Qty.
1	58801591	Idler Arm	1
2	58606130	BUSH,SHOULDERSB0003 EFSON	1
3	45035360	SPRING TNSN 1 X 6 PLATED	1
4	58804201	MOUNT,SPRING	1
5	58606120	PLLY,IDLER W/O 1/2" SLEEVE	1
6	58900581	PLLY,STEP1/2B W/THR HOLES	1
7	58801621	SHAFT FINAL DRIVE 1-1/2	1
8	58609820	BEARING,PLLW BLCK 1-1/2"	1
9	58802860	GEARBOX,WORM30-1ASYJ 715B	1
10	58802611	PIN	1
11	58408070	BEARING,FLANGE 4 HOLE 1-3/8	2
12	58405240	SPRKT,60B14 1-3/8 BORE	1
13	55302540	BUSH,MACH 2-1/8X1-3/8X10G	1
14	52657930	KEY, 5/16 X 1-1/2 RD ENDS	2
15	58405190	SHAFT,CLUTCH	1
16	58801110	Idler	3
17	88048800	SPRKT,50B60 1-1/2 BORE	1
18	52651752	SPROCKET CLUTCH	1
19	52651840	CLUTCH,PTO SNAP	1
20	58801102	Idler, 40 slide	1
21	58900412	Sprocket, 23 Tooth x 1/2" Bore Sensor	1
22	52651770	BEARING,O 1.62X1.37X1.12LNG	1
23	06000530	CRANK	1
24	58801842	BELT,4L37	1
25a	87548450	CHAIN,#40 ROLLER PER FT	ft. 3.5
25b	87548460	CHAIN,#50 ROLLER PER FT	ft. 4.6
26	88049324	SPRKT,40B12 3/4 BORE	1
27	58900500	ANGLE	1
28	56348680	KEY, 3/8 SQ X 1-1/2	1

Control Linkage



Item	Part Number	Description	Qty.
1	59000000	Arm, Compensator	1
2	58803090	HANDLE,CRANK	1
3	58505610	SWIVEL	1
4	58505650	SCREW	1
5	58506574	Tube, T21 Compensator	1
6	59000260	SPACER	1
7	59000250	Rod, Compensator	1
8	58802730	Push Rod	1
9	58608911	SLIDE,CONTROL	1
10	59000350	Arm, Pivot	1
11	58606220	SLIDE,ROD	1
12	59000330	L-Bolt	1
13	40248530	KNOB, 1/2 IN. INTRNL THD	1
14	58506100	WASHER,NYLON 3/8	2
15	56048450	CLAMP,SCREW 7/32X5/8	4 ft.
16	58606210	CABLE RETAINER	1
17	32551910	BUSH,STL.843X.56X.62L	1
18	75048440	CABLE,1/4-7X19 GAC PER FT	4
19	40249060	PLY,WRP17/32X2X7/8B STL	2
20	58901140	Retainer, Hook	3
21	58802550	LEADSCREW,IDLER	2
22	58802880	SPRING, 1-1/2 X .25 X 10	2

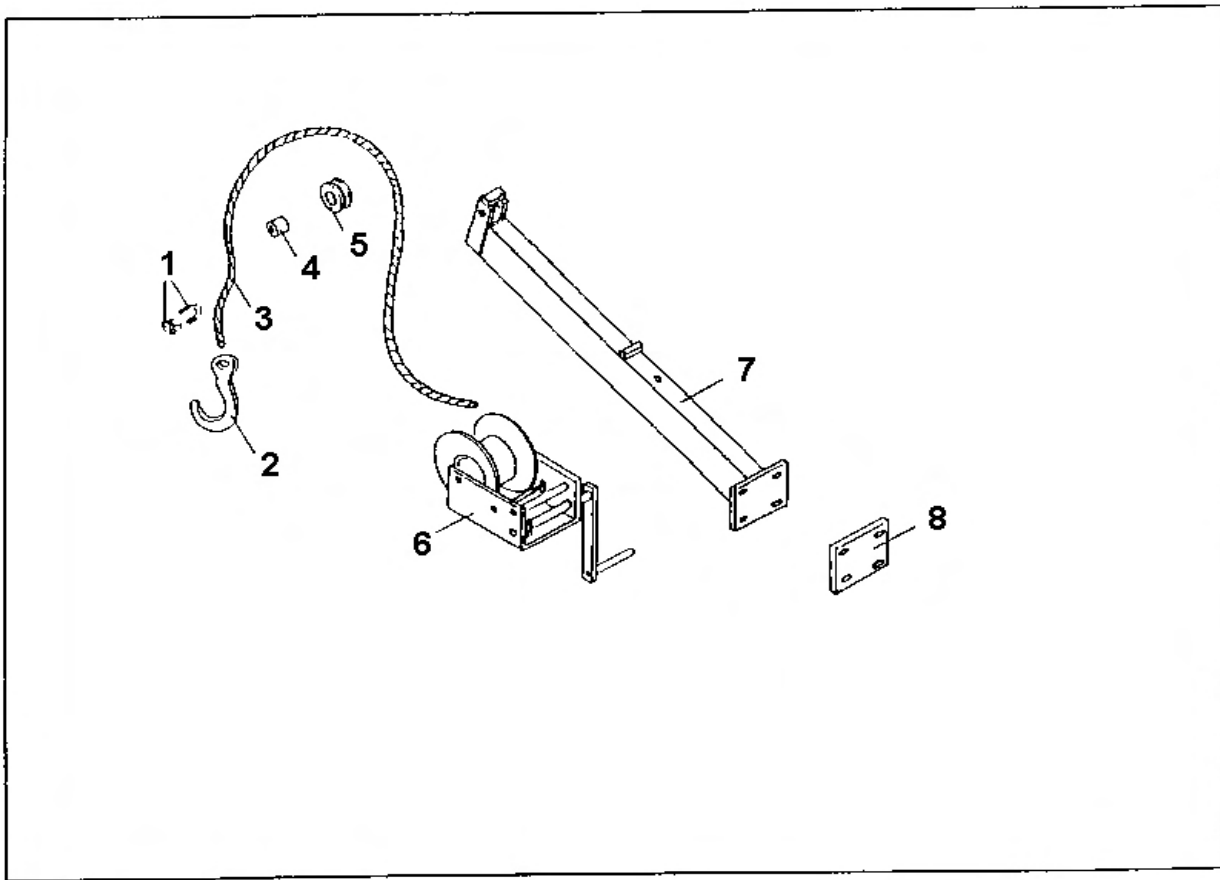
GUN CART



GUN CART

Item	Part Number	Description	Qty.
1	58609996	Gun cart leg T-21	2
2	58900024	AXLE, OUTER T-21 LOW	1
3	58900014	AXLE, INNER T-21 LOW	1
4	58602290	WHEEL&TIRE, 480/400X8 1B 2P	2
5	55832810	PIN, HITCH 3/4X3 T HEAD	1
6	56102040	PIN, HAIR .118DIAX2-11/16	1
7	52354210	HITCH, CHAIN	1
8	58900791	SHACKLE RD PIN CHN5/16GLV	2
9	85040590	CHAIN, 3/16 PROOF COIL PLTP	3
10	58408433	PLATE, CLAMP	1
11	58802810	COUPLER, 3" BALL X 2" FEMALE	1
12	58800221	LEVER RING 3" 451 76MM	1
13	58700820	STRAP	1
14	58406564	Gun Cart Body, T-21 High	1
15	58900002	BODY, GUNCART LOW T-21	1
16	58700830	CLAMP	1
17	58608110	WHEEL&TIRE, 4:1X3:5X4 1B2P	1
18	58900870	BAIL, LIFT ARM	1
19	58801481	YOKE	1
20	58608990	AXLE	1
21	58608440	SPACER	2
22	52549421	BUSHING, RDCNG GLV 1-1/4X1	1
23	06002451	VALVE, QUICK DRAIN WADE	1

GUN CART Lift Assembly



Item	Part Number	Description	Qty.
1	56048450	CLAMP,SCREW 7/32X5/8	2
2	52355651	HOOK CLEVIS SLIP 1/4	1
3	75048440	CABLE,1/4-7X19 GAC PER FT	8 ft.
4	32551910	BUSH,STL.843X.56X.62L	1
5	40249060	PLLY,WRP17/32X2X7/8B STL	1
6	40048551	WINCH FULTON K 1550	1
7	58802982	BOOM,GUNCART T-21-25	1
8	58803450	CLAMP PLATE	1

WARNING Stay clear of moving parts.

WARNING Stay clear of moving parts.

WARNING Stay clear of suspension.

WARNING Stay clear of suspension.

WARNING Do not use fuel tank with engine running.

WARNING Do not use fuel tank with engine running.

WARNING Do not use fuel tank with engine running.

CAUTION Personnel injury may result if this machine is incorrectly adjusted. See service manual to see a responsibility.

CAUTION Do not operate at speeds in excess of those shown in the operator's manual. See the Performance Guide chart.

AG-RAIN

IMPORTANT DO NOT OPERATE THIS TRACTOR WITH THE REVERSE PITCHED DRIVE CHAIN DRIVE SYSTEM. Use the Performance Guide chart.

IMPORTANT It should never be used without a proper safety adjustment. See the Performance Guide chart.

Speed Compensation

More or Less

IMPORTANT The operator should always adjust the clutch in accordance with the Operator's Manual.

Drive Chain Idler Spring Adjustment

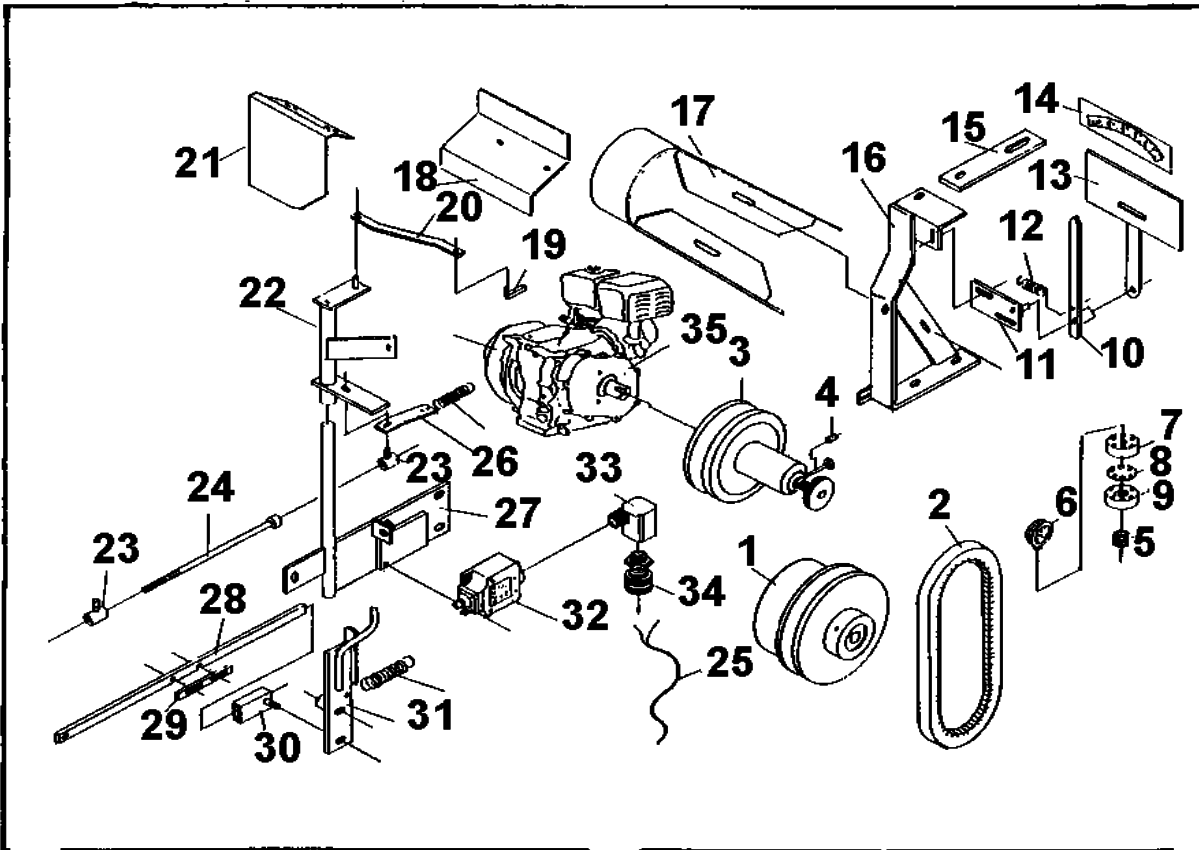
Adjust the idler spring tension so that the drive chain sag is 12 inches (305 mm) between the idlers.

21A PERFORMANCE GUIDE

21A 1.9L 4-CYLINDER DIESEL ENGINE				TYPICAL OPERATING SPEEDS (MINIMUM 1000 RPM)											
Gear	RPM	Fuel (GPH)	Fuel (L/Hr)	Digging			Grading			Backfill			Travel		
				hp	hp	hp	hp	hp	hp	hp	hp	hp	hp		
1	1500	1.8	0.68	15.0	12.5	10.0	10.0	10.0	10.0	10.0	10.0	10.0	10.0	10.0	10.0
2	1300	1.6	0.61	13.0	11.0	9.0	9.0	9.0	9.0	9.0	9.0	9.0	9.0	9.0	9.0
3	1100	1.4	0.54	11.0	9.5	8.0	8.0	8.0	8.0	8.0	8.0	8.0	8.0	8.0	8.0
4	900	1.2	0.47	9.0	8.0	7.0	7.0	7.0	7.0	7.0	7.0	7.0	7.0	7.0	7.0

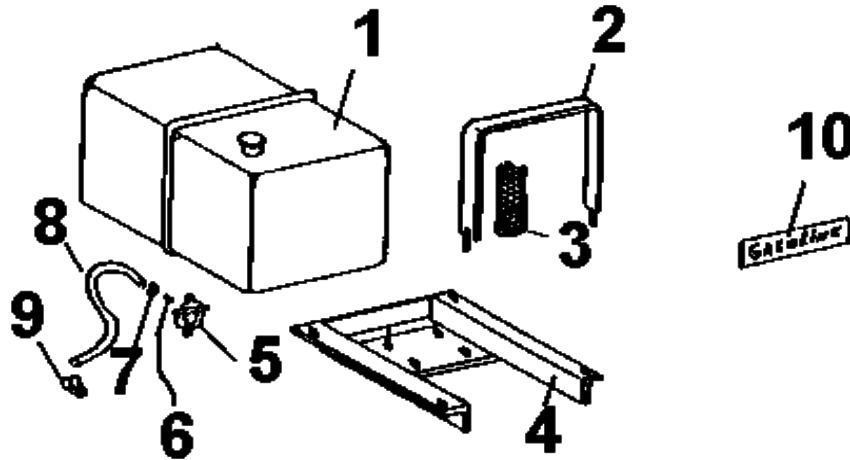
Item	Part Number	Description	Qty.
1	59405651	DECAL,WARNING	1
2	59405650	DECAL,INSTRUCTION	1
3	59404034	DECAL PERFORMANCE 21A	1
5	58502992	DCL ROUND LOGO 6 IN.	1
7	58504043	DECAL,AG-RAIN 1-1/2X7-3/8	1
9	59001100	DECAL, SPRING ADJUSTMENT	1

Engine Drive Assembly



Item	Part Number	Description	Qty.
1	59204361	PLLY,VAR-SPD SPRING 5/8	1
2	59300150	BELT,B-28	1
3	59204250	BASE,ENGINE E-25	1
4	59300580	Tube, Bumper	1
5	58700990	NPPL,CLOSE SS 1-1/2"	1
6	58606750	GAUGE, PRESS 0-300	1
7	58606901	BODY,GAUGE PROTECTOR-TOP	1
8	58700460	DIAPHRAGM,GAUGE PROTECTOR	1
9	58606902	BODY,GAUGE PROTECTOR-BTTM	1
10	59204520	NEEDLE,30	1
11	59204550	MOUNT,NEEDLE	1
12	59300170	SPRING,TENSION 3/8OD .049WR X 2IN	1
13	59204540	MOUNT,30	1
14	59300160	Decal Scale Percent	1
15	59300520	Brace	1
16	59300570	MOUNT,TACH	1
17	59300510	SHIELD,BELT	1
18	59202530	Shield, Engine	1
19	59001450	THROTTLE EXT.	1
20	59300840	Link, Throttle	1
21	59204070	Shield, Wire	1
22	59300690	PIVOT,COMP	2
23	58606220	SLIDE,ROD	1
24	59300720	Rod, Control 3/80x 10.75	1
25	58406700	WIRE,ELECT.3 WIRE 14 GA	1
26	59300830	Spring, Stop	1
27	59300780	Mt., Pivot	1

28	59300710		Bar	1
29	59300700		Stop	1
30	58608911	SLIDE,CONTROL		1
31	59300820		Trip	1
32	52662151	SWITCH 6 X 613		1
33	52513441	ELBW,STRT BR1/2X90BAR ST		1
34	52662170	GROMMET,CMPRSSN 1/2 NPT		1
35	58407011	ENGINE,HONDA5.5 2:1 REDUC		1



Item	Part Number	Description	Qty.
1	99071070	KIT, 5GAL STEEL REPLACEMENT 6 GAL P	1
2	58406210	STRAP, GAS TANK	2
3	58701670	BELTING,NEOP 5 PLY 1 IN	ft. 6.5
4	58406163	Mount, Gas Tank	1
5a	27749190	FILTER,GLASS BOWL FUEL	1
5b	59203220	MENDER,HOSE BR 3/16	1
5c	59300200	CLAMP,SCREW 7/32X5/8	2
6	58502310	BARB,HOSE 1/8 NPT X 3/16	1
7	56048450	CLAMP,SCREW 7/32X5/8	1
8	58406950	HOSE,GAS 3/16X23/64	ft. 5
9	59402970	CLAMP,LOOM 1/2 REMOVE JCK	4
10	59001130	DECAL, GASOLINE	1