



---

**Turbine Drive Water-Reels®  
Engine Drive Slurry-Reels**

---

T30/33A

E30/33A

# Parts Manual

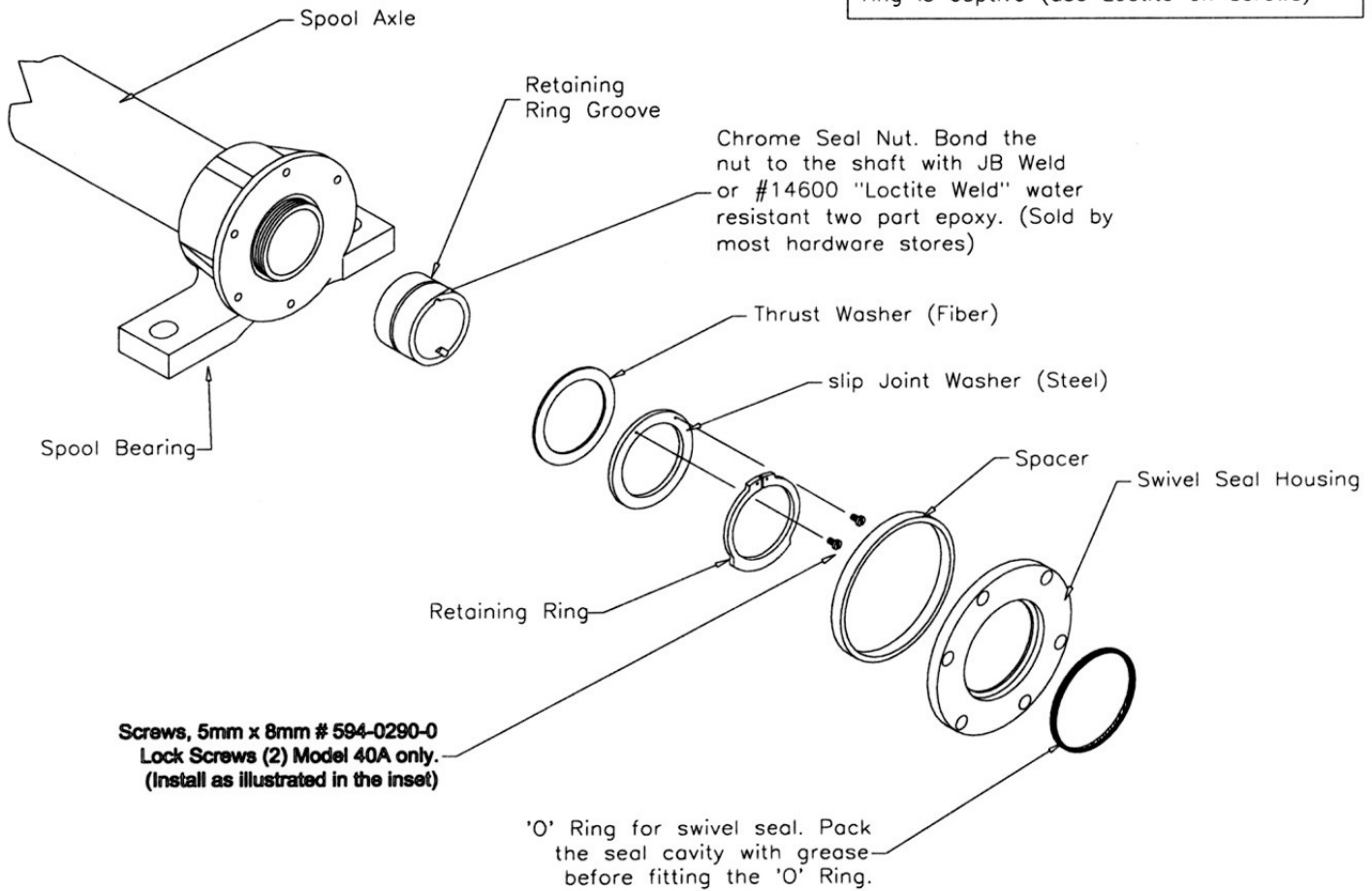
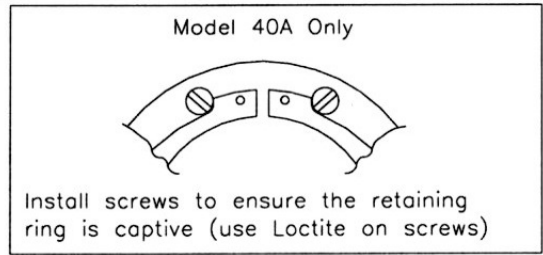
Serial No. 280,000 - 280,999



**AG-RAIN®**

700 S. Schrader Ave.  
Havana, Illinois 62644  
Phone: 309-543-4425 Fax 309-543-4945

**Swivel Seal conversion for models: 30A, 33A, 37A, 40A. Serial numbers 280,999 & below.**



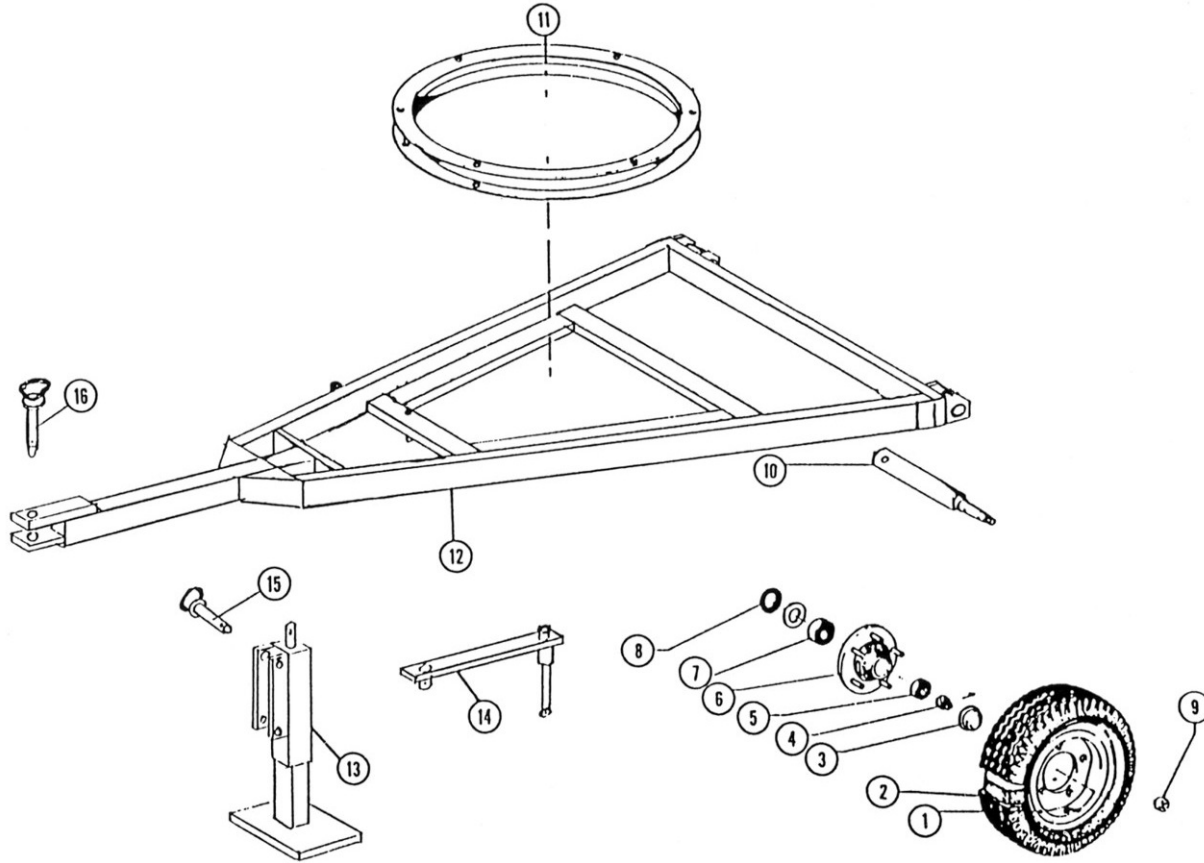
193-0068-0

**Some Items Are No Longer Available**

For Parts that are described as "Left" or "Right" the water inlet side of the machine is considered the right side

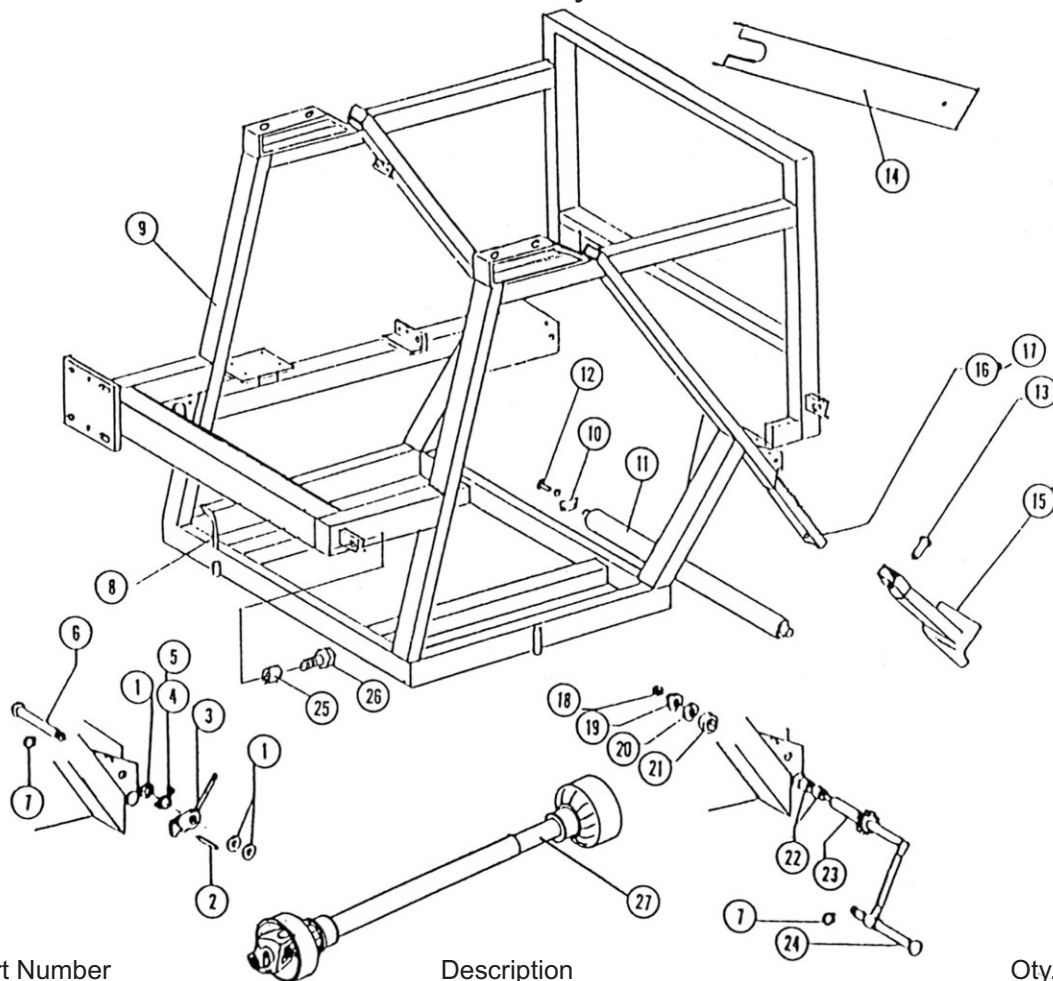
Items Such as common fasteners, grease fitting, and other small parts easy to acquire locally are not listed.

## Running Gear Assembly



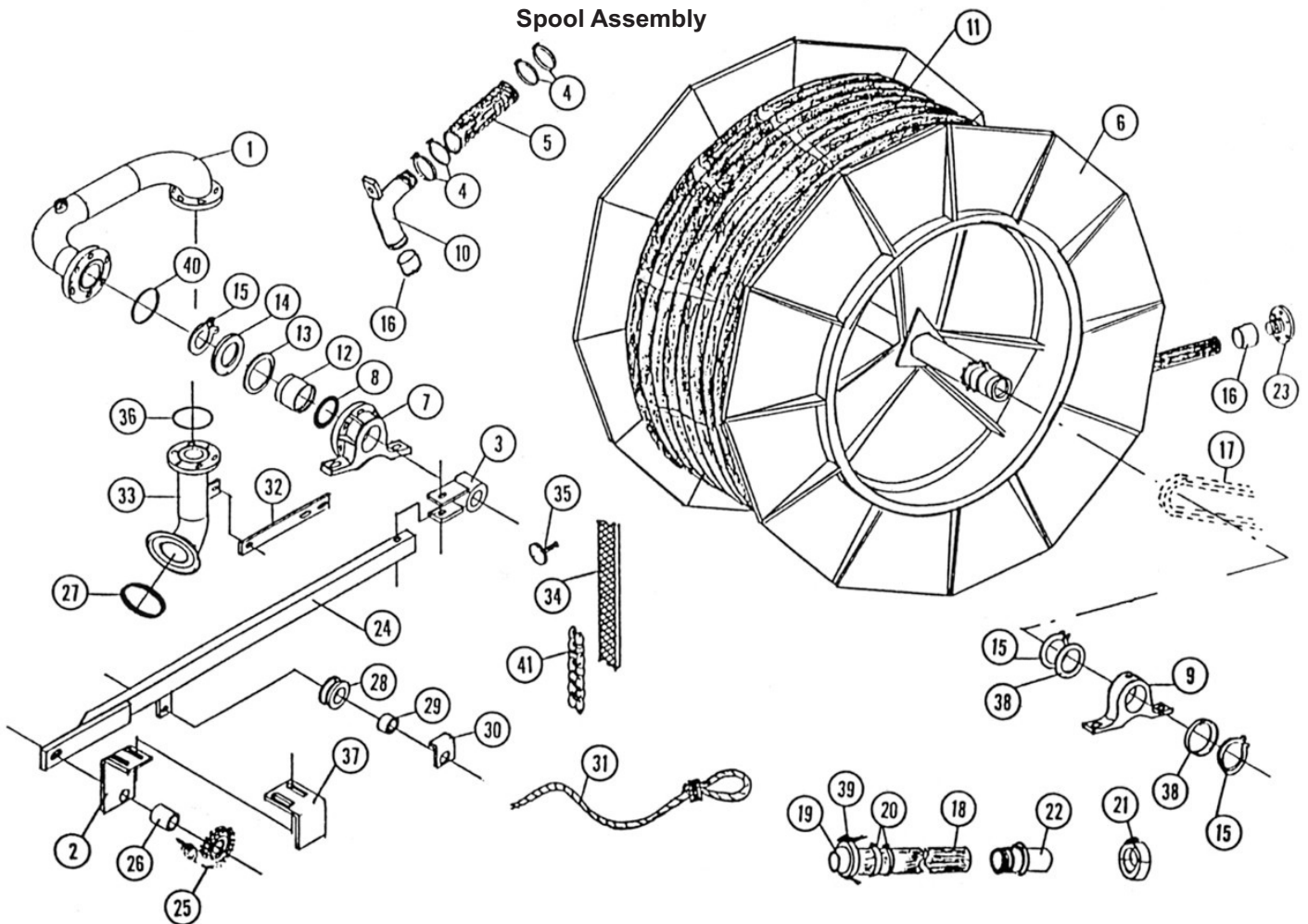
No.	Part Number	Description	Oty.
1	58802460	WHEEL, 14 X 8 X 6 BOLT	2
2	58802530	Tire, 9.5L x 14x 8Ply	2
3	58803550	CAP,HUB WILT 909902	2
4	58902070	NUT,SLOTTED 7/8 WIL912952	2
5	51509390	BEARING,TIMKEN LM67048	2
6a	58802503	Hub, With Races only, Wilton 280511	2
6b		Race inner LM48510	2
6c		Race Outer LM67010	2
7	58803554	BEARING,TIMKEN LM48548	2
8	58803553	SEAL,CR15190	2
9	58803555	LUG BOLT 1/2 X 1	12
10	58802512	SPINDLE ASSY,1-3/4X13.3	2
11	02099554	BEARING	1
12	58802014	Chassis	1
13a	58403300	JACK,TONGUE 41,45,T27-T40	1
13b	58403309	BEARING,THRUST-THURSTON JACK (not shown)	1
14	58403450	CRANK, JACK	1
15	55832811	PIN,HITCH 3/4X4-1/8 ZN	2
16	52358660	PIN,HITCH 3/4 X 6-1/2	1

### Cradle Assembly



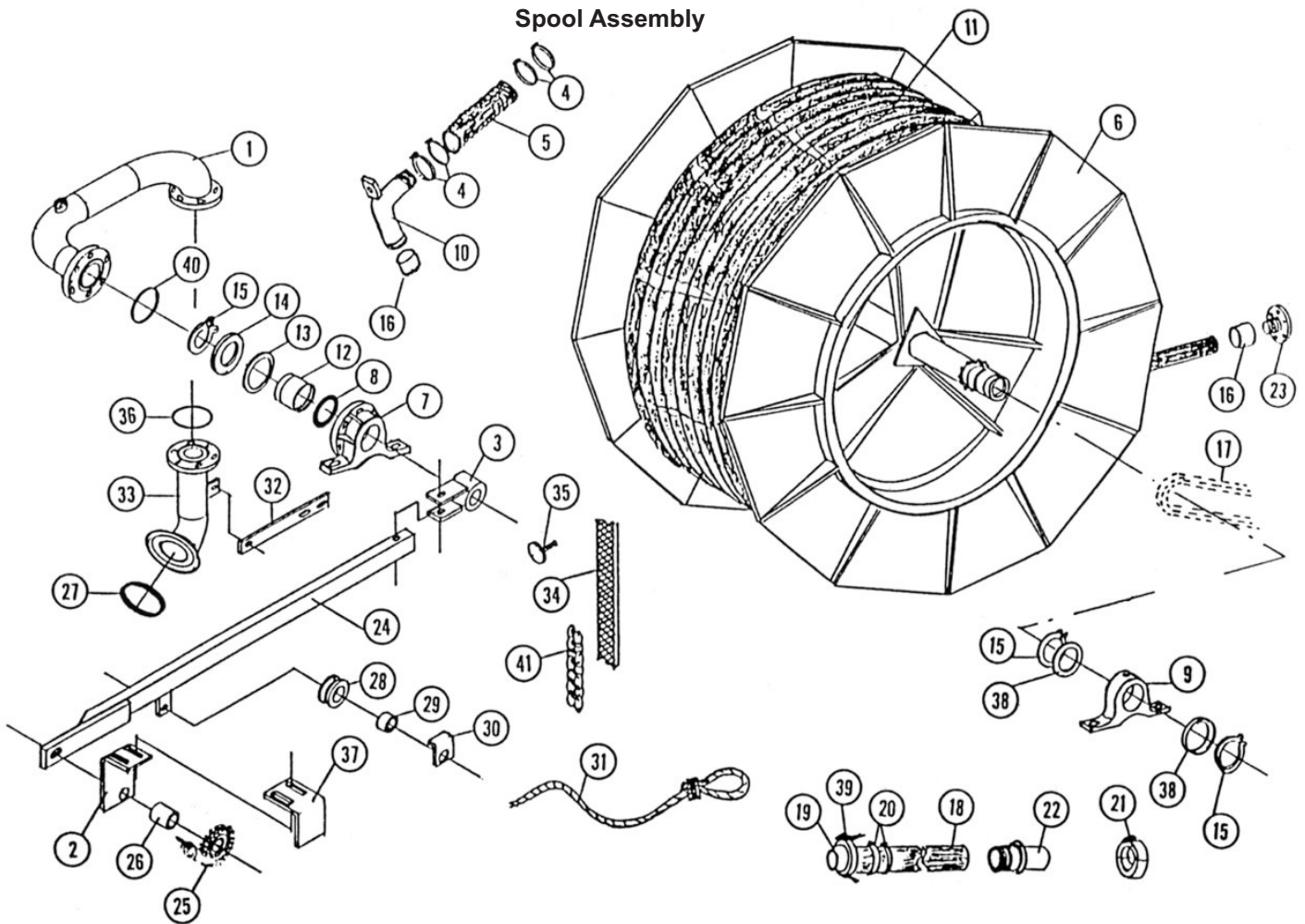
No.	Part Number	Description	Qty.
1	55317331	BUSH,MACH 1-3/8X7/8X14GA	4
2	02099026	PIN, STABILIZER	2
3a	02200220	Pawl, Right	1
3b	02200230	Pawl, Left	1
4	02099028	SPRING,RIGHT	1
5	02099029	SPRING,LEFT	1
6	02200240	Pin	2
7	02200250	Snap Ring	2
8	52358660	PIN,HITCH 3/4 X 6-1/2	1
9	59204570	Cradle	1
10	02099571	Plate	1
11	02010410	ROLLER 50-3/4" Long (same as T25)	1
12	55000001	Screw, M8 x 20	2
13	02099053	PIN	2
14	02200260	GUARD,CHAIN	1
15a	02200270	FOOT,STABILIZER CHAIN SIDE 30	1
15b	02200280	FOOT,STABILIZER TURBINE SIDE 30	1
16	02200290	LEG, STABILIZER RIGHT - D2	1
17	02200300	LEG, STABILIZER LEFT - D2	1
18	55170011	NUT,10-1.5MM NYLOC	2
19	02099058	NUT	2
20	02099049	WASHER	2
21	02099059	SPRING, RUBBER STABILIZER	4
22	02099056	BEARING,BRZ	2
23	02099578	CRANK	2
24	02099048	HANDLE	2
25	58803110	TUBE PTO MT	2
26	55049180	BOLT,3/4 X 3	2
27	30036040	SHAFT,PTO60"OAL#1 BUSH	1

### Spool Assembly



No.	Part Number	Description	Oty.
1	59201900	ELBW,30 UPPER	1
2	58901020	GUARD,CHAIN IDLER T-27-30	1
3	59201660	BEARING,IDLER T-30	1
4	03019215	SUPRA CLAMP 85MM-91MM	4
5	02200310	HOSE 30	1
6	59204580	Spool	1
7	02200320	SUPPORT,FLANGED (D2-AG5)	1
8	02200510	SEAL,CHEVRON D2	1
9	02099581	HOSE DRUM SUPPORT	1
10	02200340	ELBW,3" PE TUBE - D2 270000&UP	1
11	58401759	TUBE,PE 90MM X 3.0 ID PER FOOT	ft. 1000
12***	02208500	SEAL KIT,UNIVERSAL FIT-D2/AR5 27K+	1
13	02200360	RING,ANTIFRICTION	2
14	02200400	WASHER,SLIP JOINT	2
15	02200370	RING,RET	2
16	02099113	BAND, HOSE 90MM	2
17	87548450	CHAIN,#40 ROLLER PER FT	ft. 9.7
18	25249620	HOSE, IRR SUPPLY REMNANT 4"(PERFT)	ft. 30
19	58802561	HOSE END OUTLET - 4" BALL	1
20	03019240	SUPRA CLAMP 104MM-112MM	4
21	40049270	BAND,RING LOCK 4 IN	1
22	58802660	HOSE END INLET 4	1
23	02218822	HOSE RING WITH FLANGE 90MM	1
24	59201820	ARM,IDLER	1
25	88015690	IDLER,W/BUSH	1
26	58900080	BUSH,STL 1-1/8X3/4X3/4L	1
27	58800233	SEAL RING 4" 6-3/8 OD X 9/16	1
28	40249060	PLLY,WRP17/32X2X7/8B STL	2

### Spool Assembly

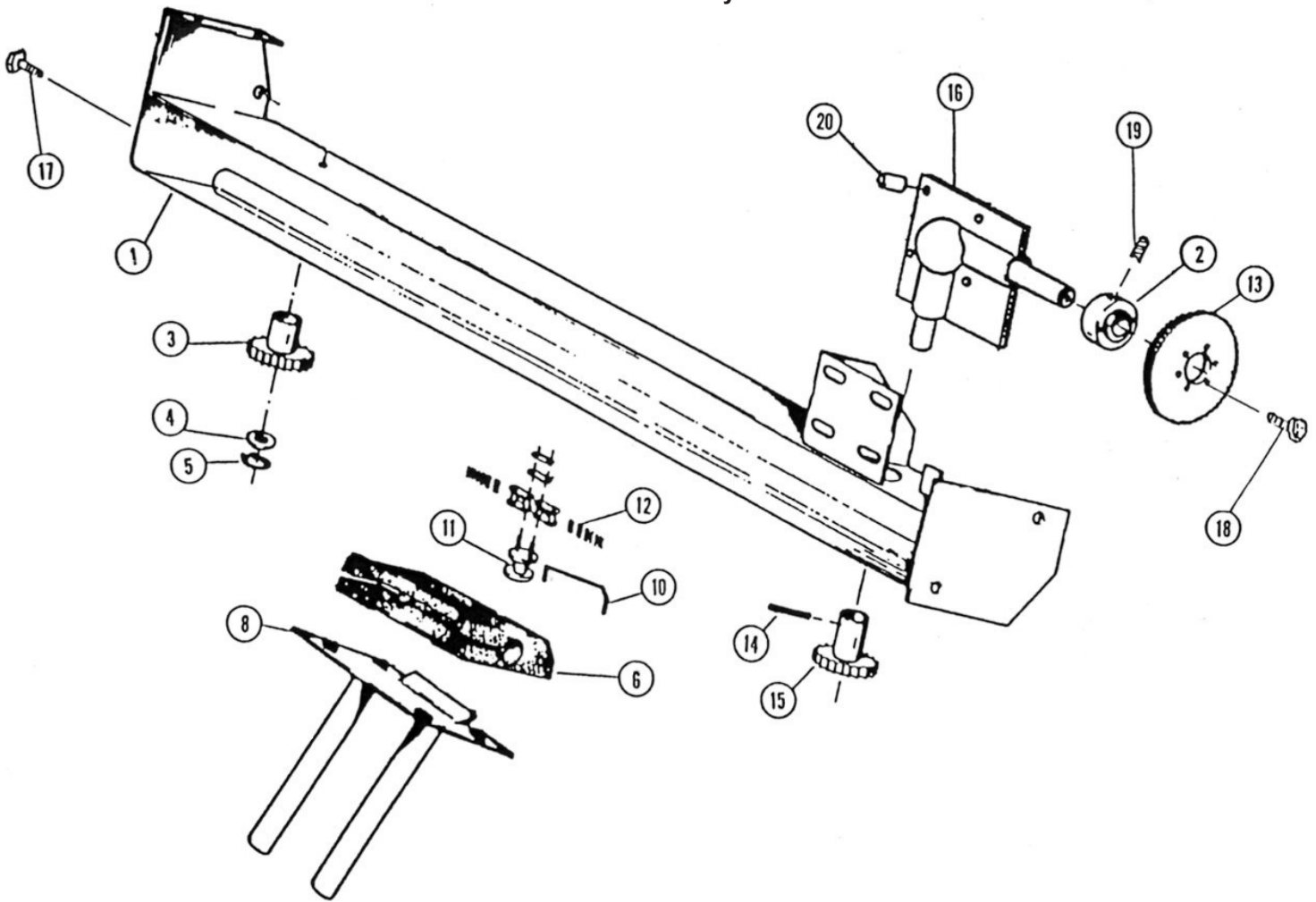


29	32551910	BUSH,STL.843X.56X.62L	3
30	58606210	CABLE RETAINER	3
31	59300260	Cable	1
32	58801680	BRKT,LOWER ELBW	1
33	58801553	FITTING,ENTRY T30&T37	1
34	52654188	BELTING 40 2.2 X 29 FT	1
35	52357180	BOLT,STEP 5/16 X 1 GR2	12
36	46546680	O-RING 5-1/8 X4-5/8 X1/4	2
37	58901030	IDLER,CHN 3RD CAP T-30-27	1
38	02200380	SPACER,D2 SPOOL	2
39	58800231	LEVER RING 4" 451 108MM	1
40	02200390	O-RING 5-1/8"OD X 1/8" CS	1
41a	30203690	LINK, #80 CONNECTING	1
41b	30216430	LINK, #80 OFF-SET	1
41c	87548480	CHAIN,#80 ROLLER PER FT	ft. 23.25

**99070162 KIT, SEAL-30 27000 +**

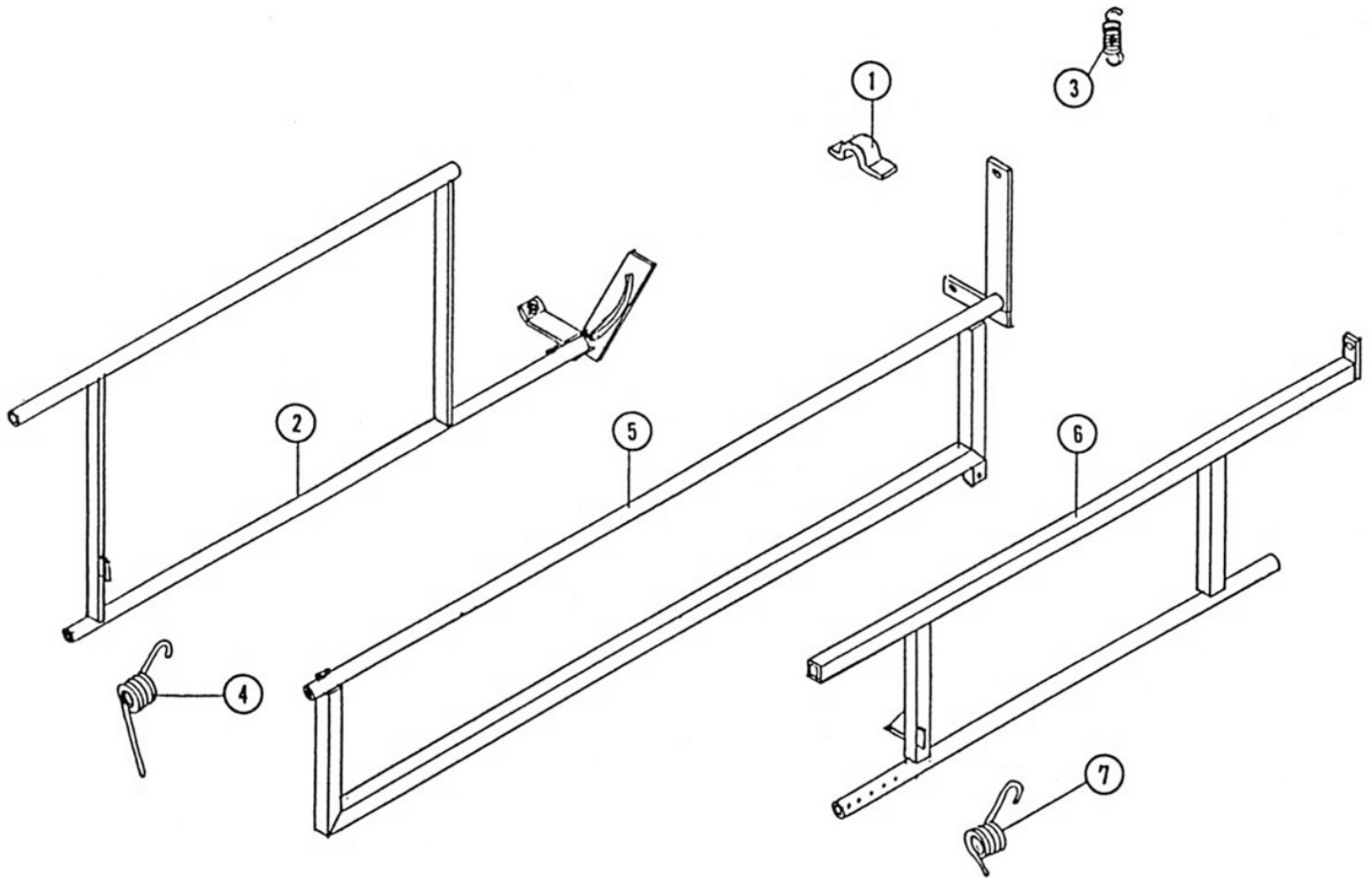
**\*\*\* 02200350 subs to 59302451 (Slip Joint Nut)**

## Levelwind Assembly



No.	Part Number	Description	Oty.
1A	02199477	FRAME,LEVELWIND58-3/4"OAL	1
1B	02201050	<b>LEVELWIND ASSY, W/O DRIVE SPROCKET</b>	1
2	02000153	HUB, SPROCKET	1
3	02000475	SPRKT,LVLWND IDLER 13T A1	1
4	55306280	BUSH,MACH 1-1/2X1X18GA	1
5	52662540	RING,RET EX	1
6	02000141	SUPPORT,FORK	1
8	02004607	FORK, 90MM - D2	1
10	02000776	CLIP,RETAINING	1
11	02000496	LINK, HOSE GUIDE, ROUND END	1
12	02001141	CHAIN 5/8 METRIC ROLLER PER FT. ( 150 Rollers)	ft. 7.82
13	02201240	SPRKT,.5X29TEETH	1
14	58902140	PIN,SPRING 7MM X 45MM	1
15	02000479	SPRKT,LVLWND DRIVER 13T 5/8"	1
16	02001085	GEARBOX,RIGHT ANGLE	1
18	55050010	Bolt, M8x25 mm	2
19	02000152	SCREW,12MMX25MM DOGPOINT(7.5MM DIA)	1
20	02001084	SPACER, GEARBOX - A-SERIES	4

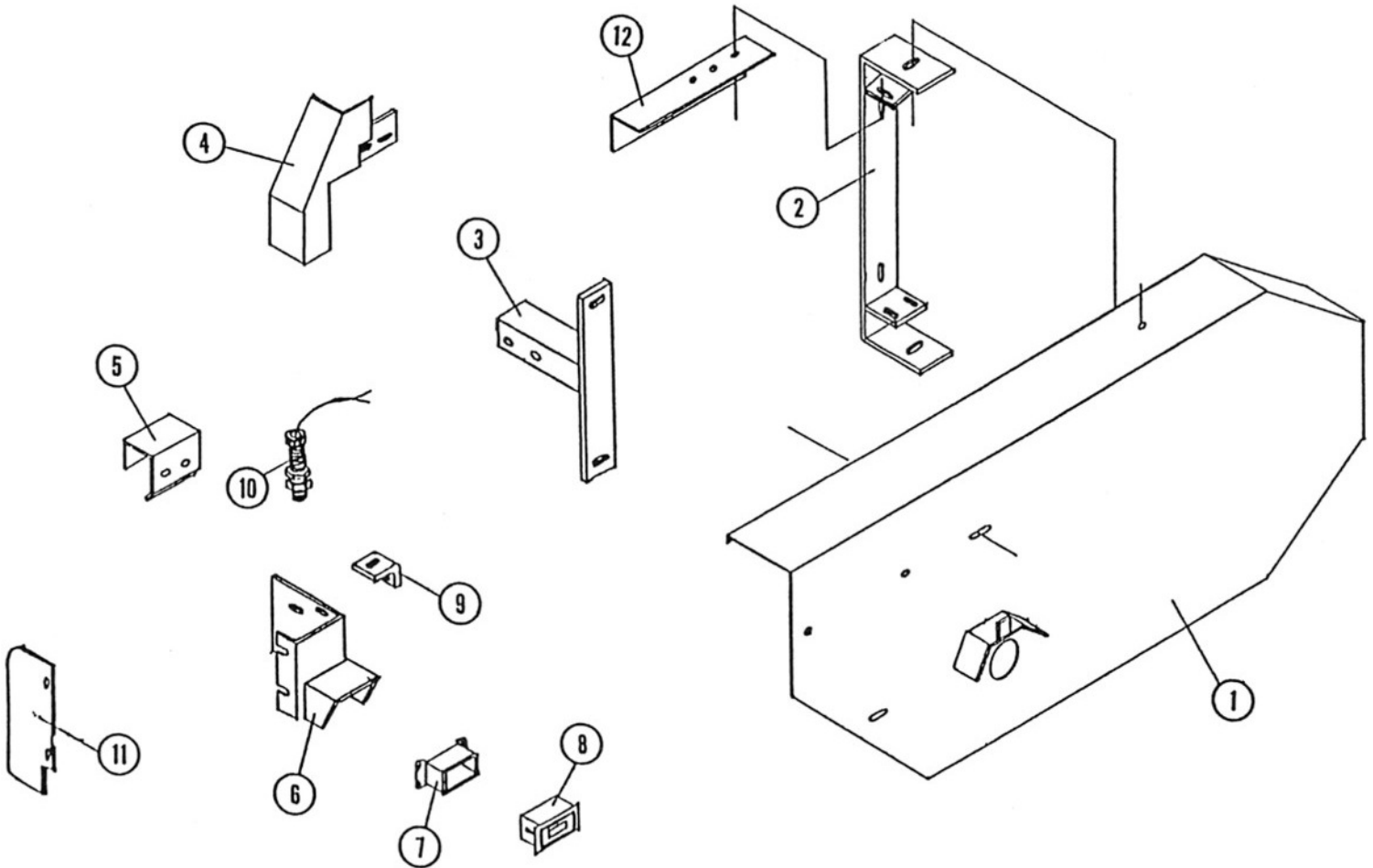
## Shutoff / Compensator Assembly



No.	Part Number	Description	Oty.
1	02000164	RETAINER	1
2	58901966	BAR,COMP T-30	1
3	45016330	SPRING TNSN 7/8X7 PLTD	1
4	02200166	SPRING, COIL - SHUT OFF	1
5	58804371	Shut off bar	1
6	59204230	Safety Bar	1
7	45050000	SPRING,SAFETY BAR	1

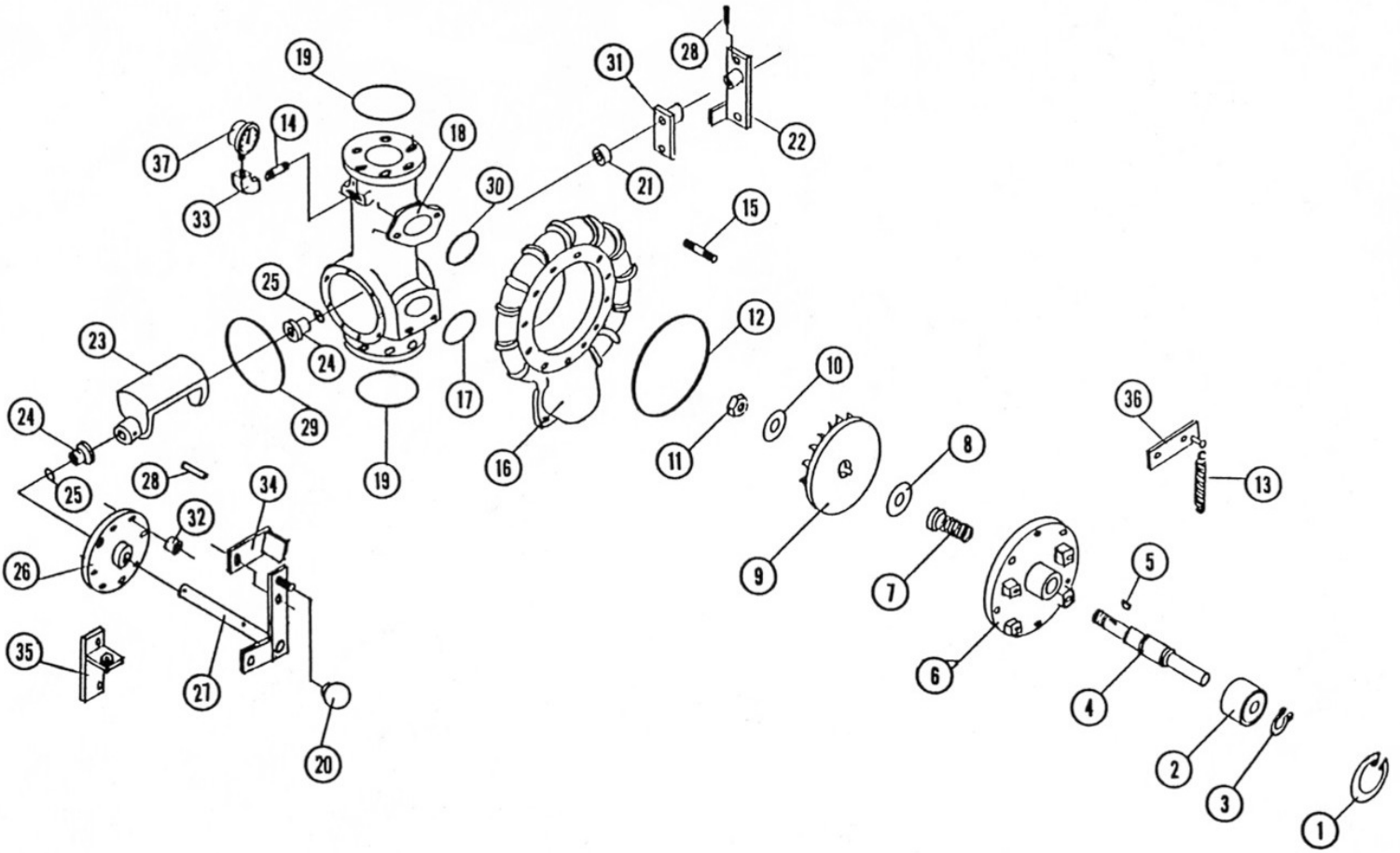


### Shield Group



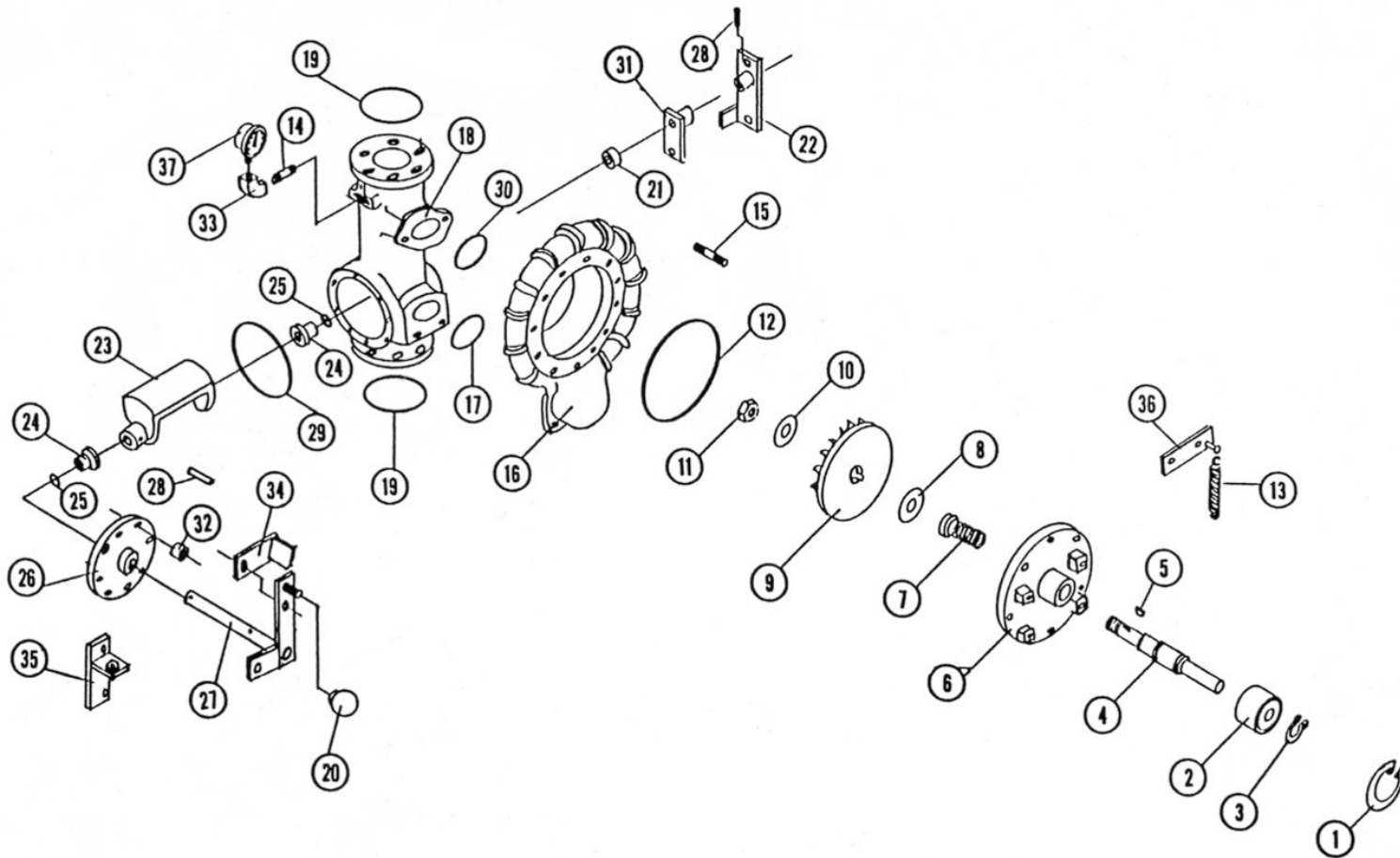
No.	Part Number	Description	Oty.
1	59201850	GUARD	1
2	58900793	Bracket, Front Guard	1
3	59302140	Bracket, Rear Guard	1
4	59201730	SHIELD,T-30	1
5	58802410	GUARD,BELT ALL T SERIES	1
6	58804712	GUARD,W/TACH SHIELD	1
7	58804671	CASE,BASE MT BMK-2 RDLIN	1
8a	58804650	TACH DSPLY RD LION DITAK5	1
8b	58804661	BATTERY, BNA-00-000/D	2
9	58902092	Mt. Sensor Pickup	1
10	58804660	PICK UP,TACH RD LIONMP62A	1
11	59000140	Guard, stailizer leg crank	1
12	59203460	SHIELD	1

## Turbine Assembly



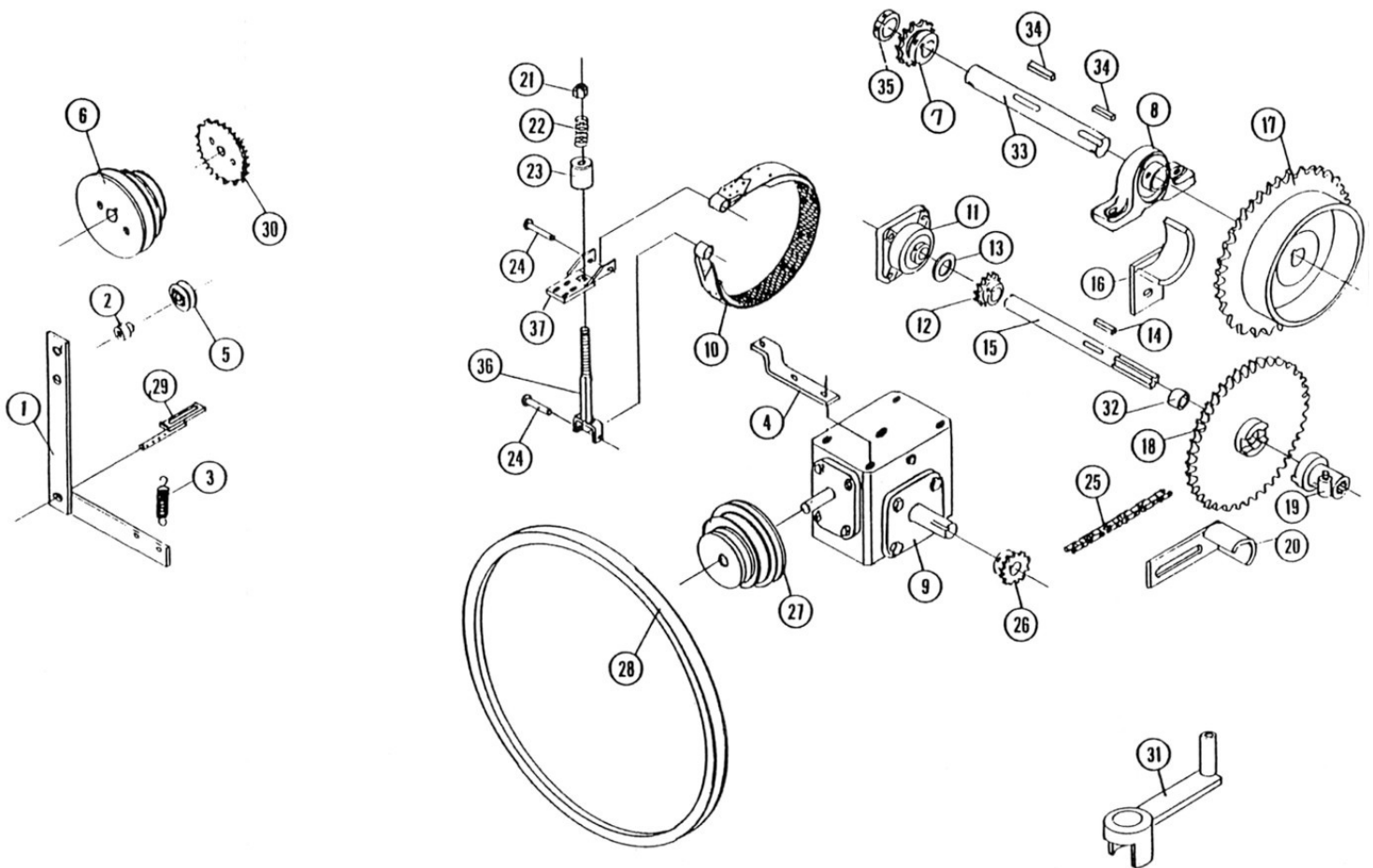
1	52662530	RING,RET IN	1
2	52663290	BEARING,DBL W5205-2RS .937	1
3	52662540	RING,RET EX	2
4	51648535	SHAFT,RNR LNG KW 6.9 OAL	1
5	58401120	KEY,WOODRUFF3/16X3/4NIALY	1
6	27733554	FACE PLATE 200/400 3/4SEA	1
7	58401111	SEAL,MECH 3/4"ID CERAMIC	1
8	58401130	BUSH,MACH 1X5/8X18GA	1
9	27733565	RUNNER, .9X 7.45 W/K.W. (Standard)	1
9b	27733567	RUNNER,(SLURRY)	1
10	58401140	BUSH,MACH 1X5/8X14GA	1
11	55248440	NUT,JAM NF 5/8 NYLON INSERT PLATED	1
12	46548510	O-RING 7-11/16X7-1/2X3/32	1
13	45035360	SPRING TNSN 1 X 6 PLATED	1
14	52513972	NPPL,BR 1/4 X 2-1/2	1
15a	55035390	STUD,SS 3/8-16X2-1/8 SPEC	8
15b	55448453	WASHER,LOCK SS 3/8	8
15c	55101733	NUT,SS 3/8	8
16	27748631	VOLUTE, PP200 (W/STUDS)	1
17	46548480	O-RING 4-5/8 X4-1/8 X1/4	1
18	27648512	DIVERTER,BTTM ENT 200/400	1
19	46546680	O-RING 5-1/8 X4-5/8 X1/4	1
20	30249150	KNOB,BALL 3/8-16 FEMALE THREADS	1
21	51348451	COLLAR,SET 3/4"	1
22	58505451	ARM,SHUT OFF	1
23	27734061	GATE, 200/400	2
24	51135100	BEARING,O FL .87X.75X.75 LNG	2
25	46534020	O-RING 7/8X3/4X1/16	1
26	27648471	PLATE,COVER 200/400	1

### Turbine Assembly



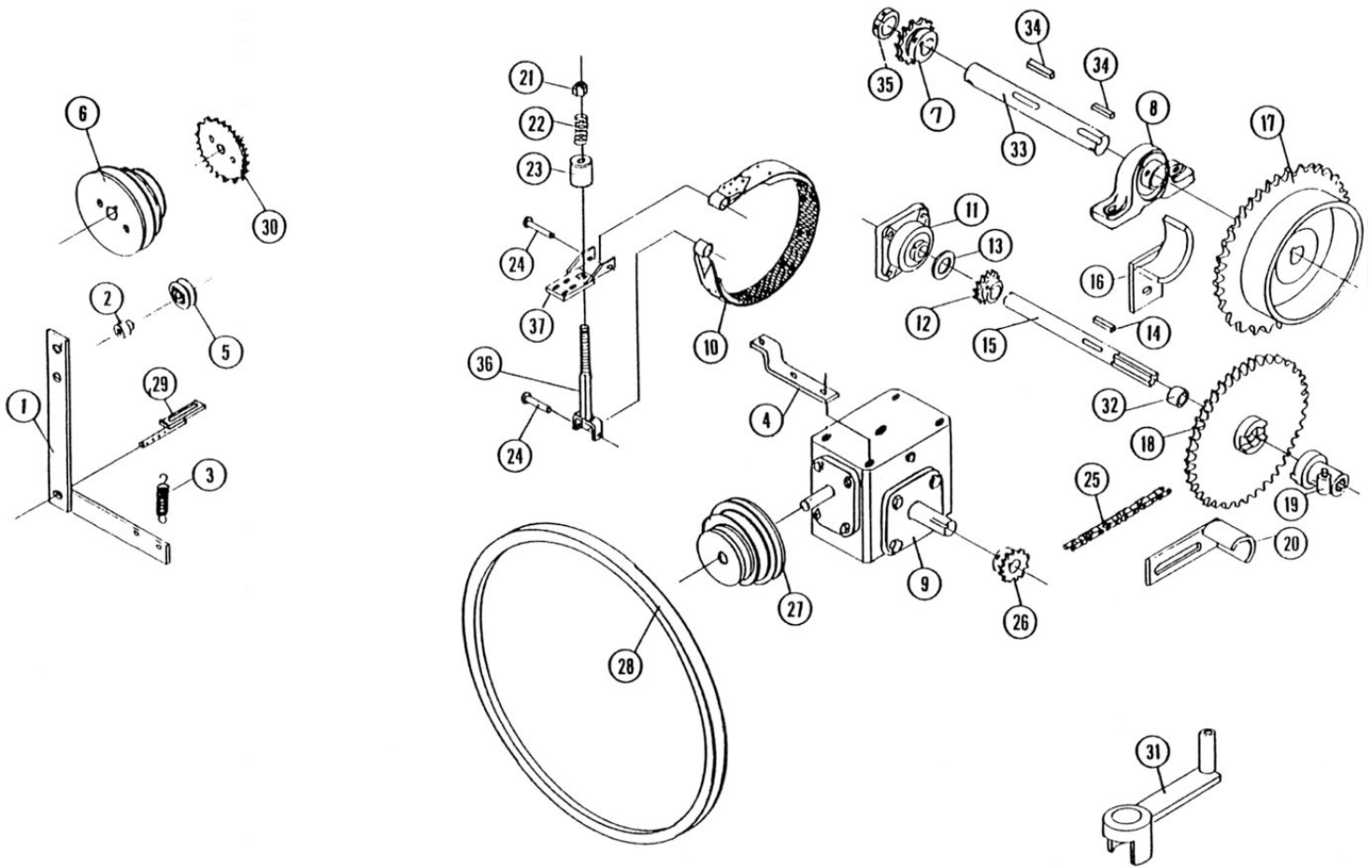
27	99070272	KIT,GATE SHAFT	1
28	55636330	PIN,SPRING 7/32 X 1-1/2	1
29	46548500	O-RING 5-15/16X5-3/4X3/32	1
30	46548490	O-RING 4-1/4 X3-3/4 X1/4	1
31	58505640	ARM,COMP	1
32	58505530	BUSH,STL 5/8X.35X.56 OAL	1
33	52508311	ELBW,BR 1/4X90DEG	1
34	58505510	LATCH	1
35	58804141	GATE SHAFT STOP PP-2 &400	1
36	58506090	MOUNT,SPRING	1
37	58606750	GAUGE, PRESS 0-300	1

## Drive Train Group Basic



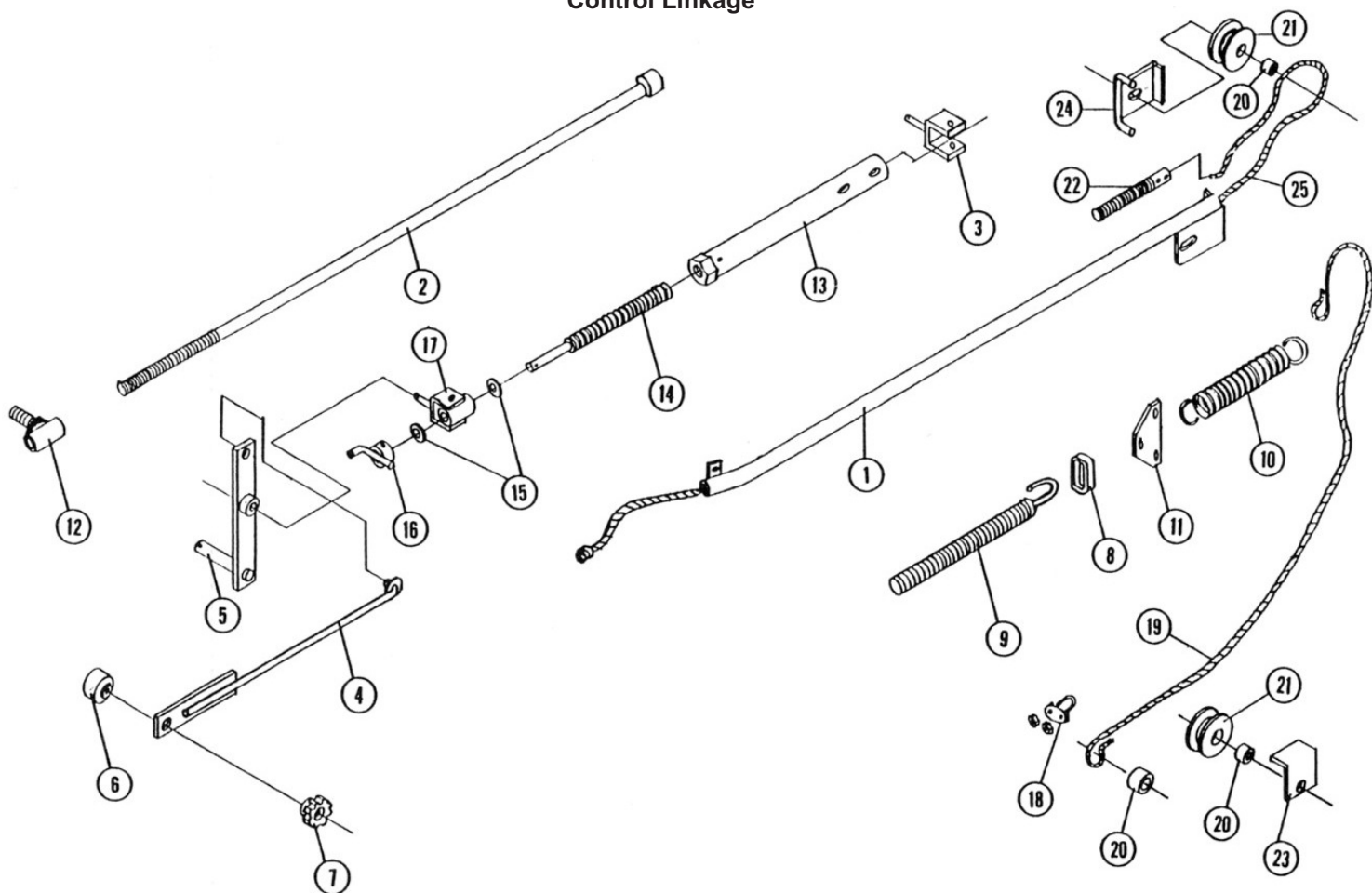
No.	Part Number	Description	Oty.
1	58801593	Idler Arm	1
2	58606130	BUSH,SHOULDERSB0003 EFSON	1
3	45035360	SPRING TNSN 1 X 6 PLATED	1
4	58801740	BRKT,IDLER SPRING	1
5	58606120	PLLY,IDLER W/O 1/2" SLEEVE	1
6	58900580	PLLY,STEP5/8B W/THD HOLES	1
7	88049201	SPRKT,80B12 2BORE 2SS&KW	1
8	58609821	BEARING,PLLW BLCK 2"	2
9	58802861	GEARBOX,WORM20-1ASYJ 726B	1
10	59203080	BAND,BRAKE 10 IN	1
11	58408070	BEARING,FLANGE 4 HOLE 1-3/8	2
12	58405240	SPRKT,60B14 1-3/8 BORE	1
13	55302540	BUSH,MACH 2-1/8X1-3/8X10G	3
14	52657930	KEY, 5/16 X 1-1/2 RD ENDS	1
15	58405190	SHAFT,CLUTCH	1
16	58801111	IDLER	1
17	59203051	Sprkt. Brake 70T	1
18	52651750	SPRKT,CLUTCH 50-54	1
19	52651840	CLUTCH,PTO SNAP	1
20	59201630	IDLER,CHAIN #40	1
21	55248450	NUT,NYLOCK 1/2	1
22	45048580	SPRING,COMP 2-1/2X1/2ID PLTD	1

## Drive Train Group Basic



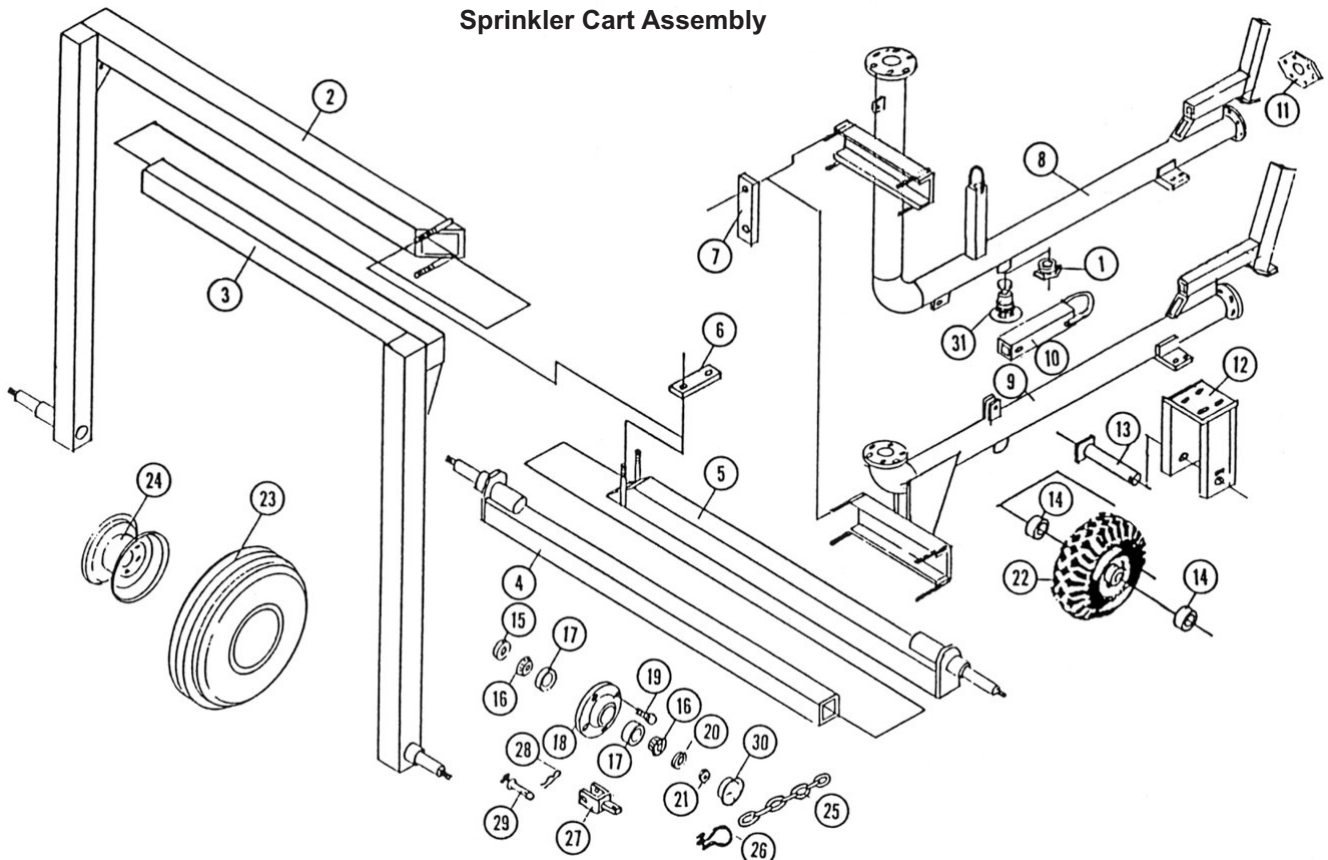
23	59203710	CAP	
24	59203070	PIN,CLEVIS 5/16 X 2-3/8	2
25a	87548460	CHAIN,#50 ROLLER PER FT	5.7
25b	87548470	CHAIN,#60 ROLLER PER FT	7
26	88003711	SPRKT,50B12 1-1/8 BORE	1
27	58500504	PLLY,STEP5-4-3X3/4B CNGRS	1
28	58801841	BELT,4L 420	1
29	59000280	MOUNT,IDLER ARM	1
30	58900411	SPRKT,SENSOR 40A23 5/8	1
31	06000530	CRANK	1
32	52651770	BEARING,O 1.62X1.37X1.12LNG	1
33	59201640	SHAFT 2 X 14	1
34	52660710	KEY, 1/2 X 2 RD ENDS	2
35	52661910	COLLAR,LOCK-2"ID	1
36	59203030	BOLT,SPRING T-SERIES	1
37	59203010	MOUNT,BRAKE	1

### Control Linkage



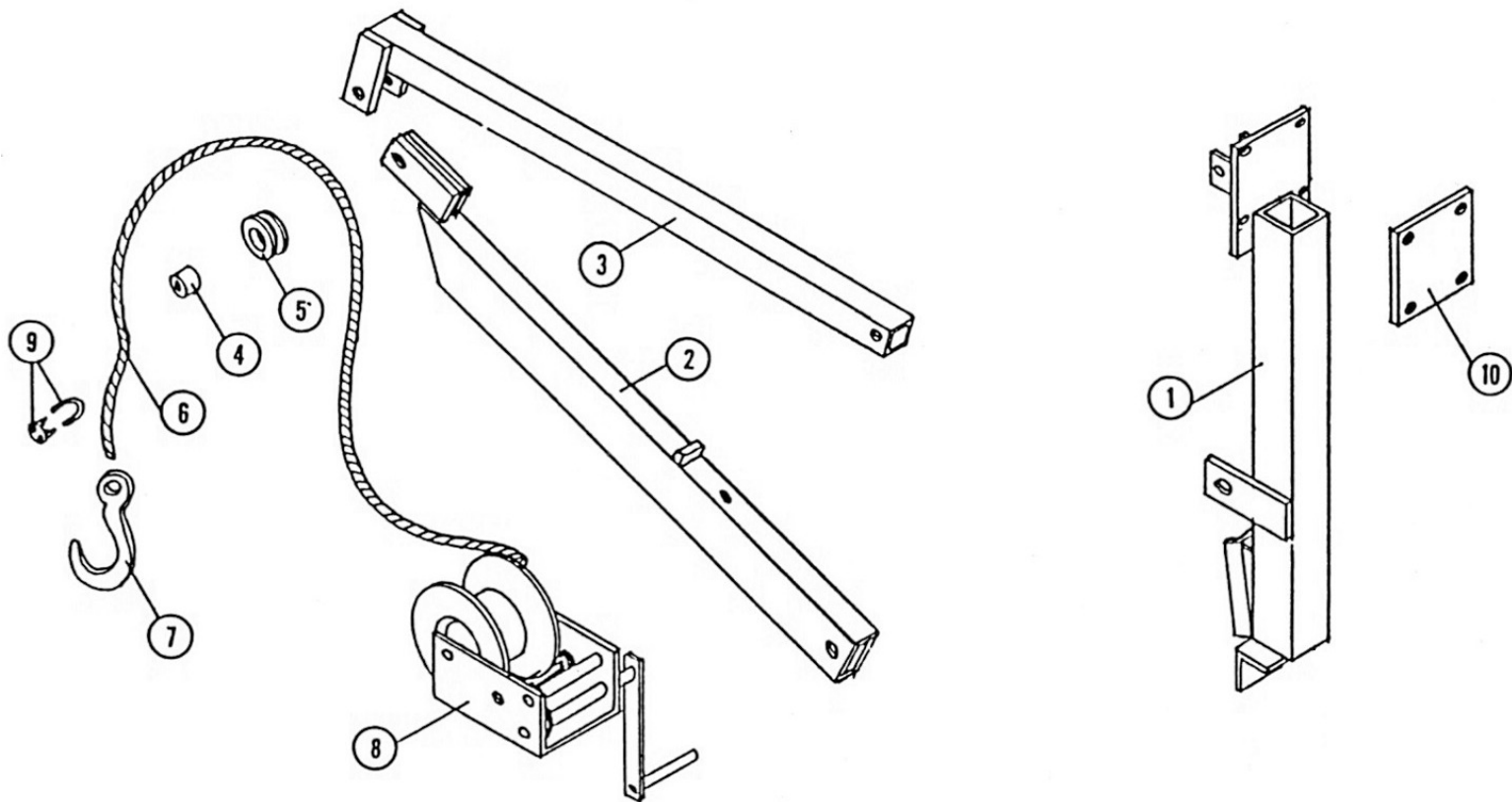
No.	Part Number	Description	Qty.
1	59203900	Guide, Cable	1
2	58901818	Rod Control 1/2 x 46	1
3	58505580	YOKE	1
4	59000252	Rod, Compensator	1
5	58901803	Arm, Compensator Rod	1
6	59000260	SPACER	1
7	40248530	KNOB, 1/2 IN. INTRNL THD	1
8	58901140	Retainer, Hook	1
9	59400040	SCREW, SPRING - 40A	1
10	58802880	SPRING, 1-1/2 X .25 X 10	2
11	58802870	DOUBLE TREE, IDLER	2
12	58606222	Slide, 1/2" Rod	1
13	58506571	TUBE, COMP	1
14	58505650	SCREW	1
15	58506100	WASHER, NYLON 3/8	2
16	58803090	HANDLE, CRANK	1
17	58505610	SWIVEL	1
18	56005270	CLAMP, 1/4 CABLE	2
19	75048440	CABLE, 1/4-7X19 GAC PER FT	4
20	32551910	BUSH, STL.843X.56X.62L	3
21	40249060	PLLY, WRP17/32X2X7/8B STL	2
22	59203920	Cable End	1
23	58606210	CABLE RETAINER	1
24	59204270	CABLE, RET	1

## Sprinkler Cart Assembly



No.	Part Number	Description	Qty.
1	52549421	BSHNG,RDCNG GLV 1-1/4X1	1
2	58406401	Leg Outer HIGH CART	1
3	58406331	Leg Inner HIGH CART	1
4	58406335	Axle, Inner LOW CART	1
5	58406405	Axle, Outer LOW CART	1
6	58802250	Strap	1
7	58706411	STRAP	2
8	58406565	Body, Gun Cart	1
9	58900004	Body, Gun Cart	1
10	58900871	Lift Bail	1
11	02099202	GASKET, 5.75"BCD 4.3 ID	1
12	58801480	YOKE	1
13	58608991	AXLE,B160,B140,27/30CART	1
14	58608441	SPACER, WRT4	1
15	58803565	SEAL,CR12437	2
16	58803563	BEARING,TIMKEN L44643	2
17	58803566	KIT, CUP AND CONE SET	2
18	58803564	HUB,WITH RACES ONLY W440	2
19	58803560	BOLT,LUG WILT 913535	2
20	58803567	WASHER,SPINDLE WIL913608	2
21	58803562	NUT, SLOTTED NF 3/4"	2
22	58602290	WHEEL&TIRE,480/400X8 1B 2P	1
23	58802480	WHEEL&TIRE,4:80X12 4BOLT	2
24	58802490	WHEEL&TIRE20X10X8 4BOLT4"	2
25	85040600	CHAIN,3/8 PROOF COIL PLTD	3
26	52353941	CLEVIS,DBL CMBL 542-3301	2
27	52354210	HITCH, CHAIN	1
28	56102040	PIN,HAIR .118DIA X2-11/16	1
29	55832810	PIN,HITCH 3/4X3 T HEAD	1
30	58803561	CAP,HUB	2
31	06002451	VALVE,QUICK DRAIN WADE	1
	58406422	FLANGE,6HOLE 5.75 BCD OD X 3 X 3/8	2
	59202840	KIT,BEARING FOR 1 IN (Front Wheel)	1

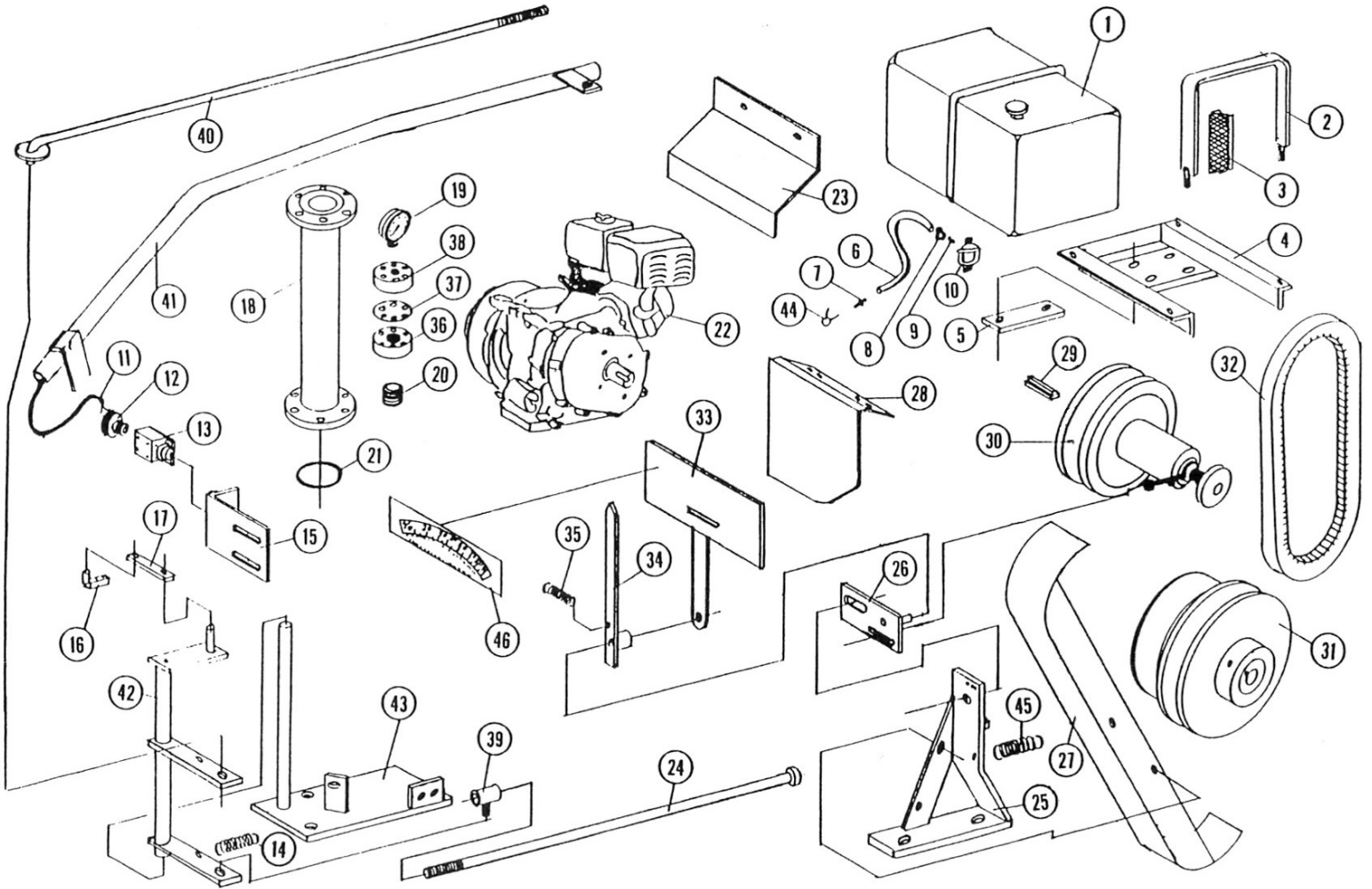
Sprinkler Cart Lift Assm.



No.	Part Number	Description	Oty.
1	58003085	Bracket, Lift Arm	2
2	58802980	Lift Boom	1
3	58802970	Boom Support	1
4	32551910	BUSH,STL.843X.56X.62L	1
5	40249060	PLLY,WRP17/32X2X7/8B STL	1
6	75048440	CABLE,1/4-7X19 GAC PER FT	ft. 8
7	52355650	HOOK,CLEVIS SLIP 3/8 ZN	1
8	40048551	WINCH FULTON K 1550	1
9	56005270	CLAMP,1/4 CABLE	2
10	58804300	Plate, Clamp	1

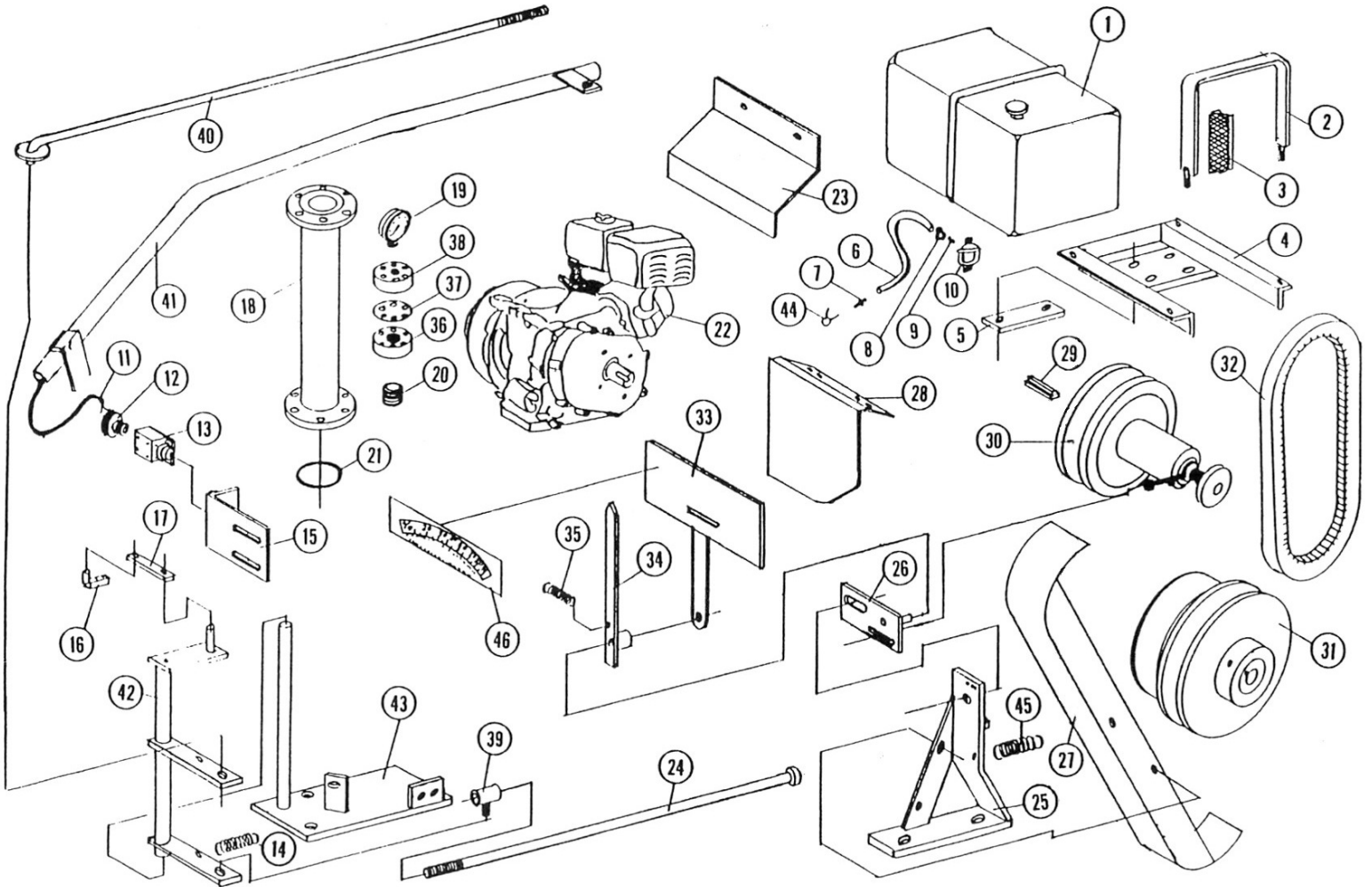


### Engine Drive Assm.



No.	Part Number	Description	Oty.
1a	58406930	TANK,FUEL&CAP 5.3GAL	1
1b	58406939	CAP,TANK-5.3 GAL GAS	1
2	58406210	STRAP, GAS TANK	2
3	58701670	BELTING,NEOP 5 PLY 1 IN	ft. 6.5
4	58406163	Mount, Fuel Tank	1
5	59000661	Bracket, Fuel Tank	1
6	58406950	HOSE,GAS 3/16X23/64	ft. 5
7	59203220	MENDER,HOSE BR 3/16	1
8	56048450	CLAMP,SCREW 7/32X5/8	2
9	58502310	BARB,HOSE 1/8 NPT X 3/16	1
10	27749190	FILTER,GLASS BOWL FUEL	1
0	58406700	WIRE,ELECT.3 WIRE 14 GA	ft. 4
12	52662170	GROMMET,CMPRSSN 1/2 NPT	1
13	52662151	SWITCH 6 X 613	1
14	45048450	SPRING TNSN.67IDX3-1/8PLT	1
15	59203850	Stop	1
16	59001450	THROTTLE EXT.	1
17	59001441	LINK,THROTTLE	1
18	59300140	PIPE,EXT. 3-1/2 X 18.18	11
19	58606750	GAUGE, PRESS 0-300	1
20	58700990	NPPL,CLOSE SS 1-1/2"	2

### Engine Drive Assm.



21	59001700	GASKET 6.12 BCD	1
22	58407011	ENGINE,HONDA5.5 2:1 REDUC	1
23	59001140	Cover Engine	1
24	59203820	Rod, Control 3/8 x 20	1
25	59204510	BASE,E-30	1
26	59204550	MOUNT,NEEDLE	1
27	59300100	SHIELD	1
28	59204070	SHIELD	1
29a	59300190	KEY,STEP	1
29b	59300191	KEY,7MM X 6MM X 1-1/4 LG	1
30	59204350	PLLY,VAR-SPD MAN 22MM (for engine)	1
31	59204360	PLLY,VAR-SPD SPRING 3/4 (for gearbox)	1
32	59300150	BELT,B-28	1
33	59204540	MOUNT,30	1
34	59204520	NEEDLE,30	1
35	59300180	SPRING,5/16 OD .03WRE1.25	1
36	58606902	BODY,GAUGE PROTECTOR-BTTM	1
37	58700460	DIAPHRAGM,GAUGE PROTECTOR	1
38	58606901	BODY,GAUGE PROTECTOR-TOP	1
39	58606220	SLIDE,ROD	1
40	59203830	Shut Off Rod	1
41	59300030	Tube, Wire	1
42	59203740	Pivot Comp.	1
43	59203810	Mount	1
44	59300200	CLAMP,SCREW 7/32X5/8	1
45	59300170	SPRING,TENSION 3/8OD .049WR X 2IN	1
46	59300160	Decal, Scale Percent	1