



Water-Reel Irrigation

AG4(T/E 30A/980)

700 S. Schrader Ave.
P.O. Box 290
Havana, IL 62644
USA
Phone: 309.543.4425
Fax: 309.543.4945

AG5(T/E 30A/1200) AG5(T/E 33A/1120)

AG6(T/E 37A/1200) AG6(T/E 37A/1500)

AG7(T/E 40A/900) AG7(T/E 40A/1320)

PARTS MANUAL S/N 380,540 - 400,110

updated page 14a 8/20/08 Rc

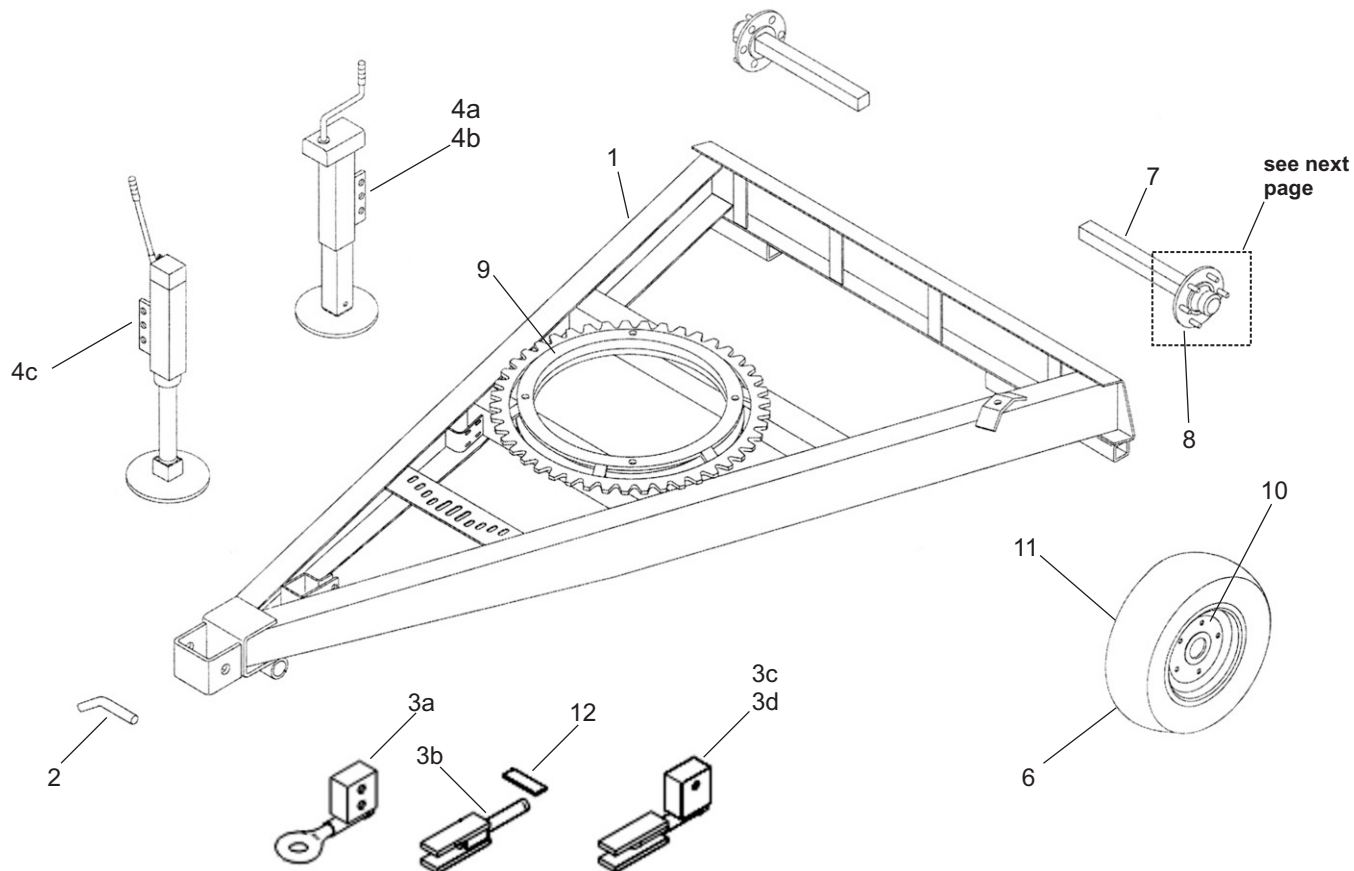
Assembly	Page
Running Gear Assembly	2
Hub Assembly	2a
Hyd. Jack	3-5
Cradle Assembly	6-7
Hydraulics	8
Spool Assembly	9-12
Levelwind / Shut off Assembly	13-16
Turbine, Assembly	17-18
Turbine Drive Controls	19
Drive Train	20-22
Bima Gearbox	23-26
Sprinkler Cart Assembly (AG4, AG5)	27-28
Sprinkler Cart Assembly (AG4)	29
Sprinkler Cart Assembly (AG6-AG7)	30-32
Sprinkler Cart Lift Assembly (AG4/5)	33
Sprinkler Cart Lift Assembly (AG6/7)	34
Decal Group	35
Engine Drive	36
Engine Drive Controls	37
Booster Pump	38-39
Air Pump Assembly	40

Notes:

For Parts That Are Described As "Left" Or "Right" The Water Inlet Side Of The Machine Is Considered The Right Side.

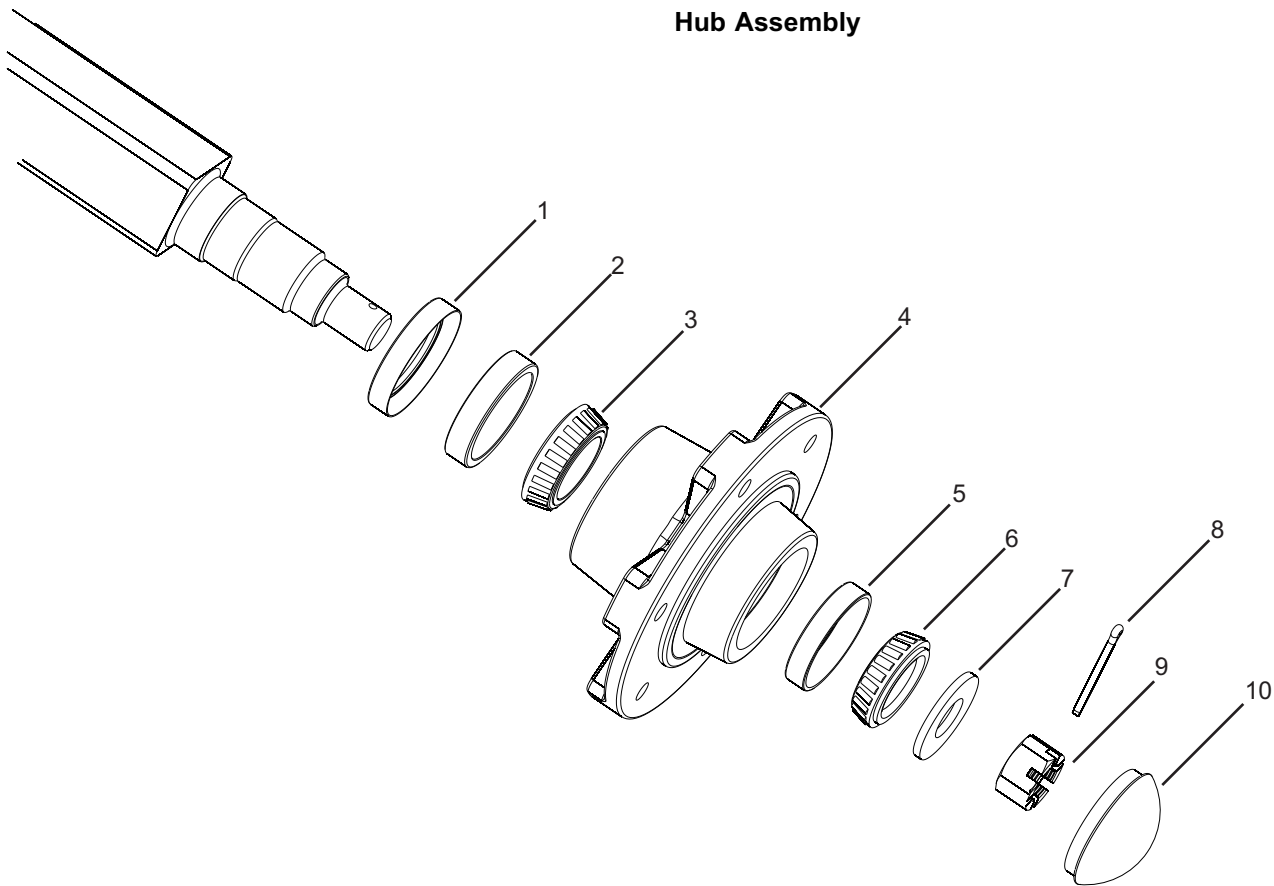
Items Such As Common Fasteners, Grease Fitting, And Other Small Parts Easy To Acquire Locally Are Not Listed.

Running Gear Assembly



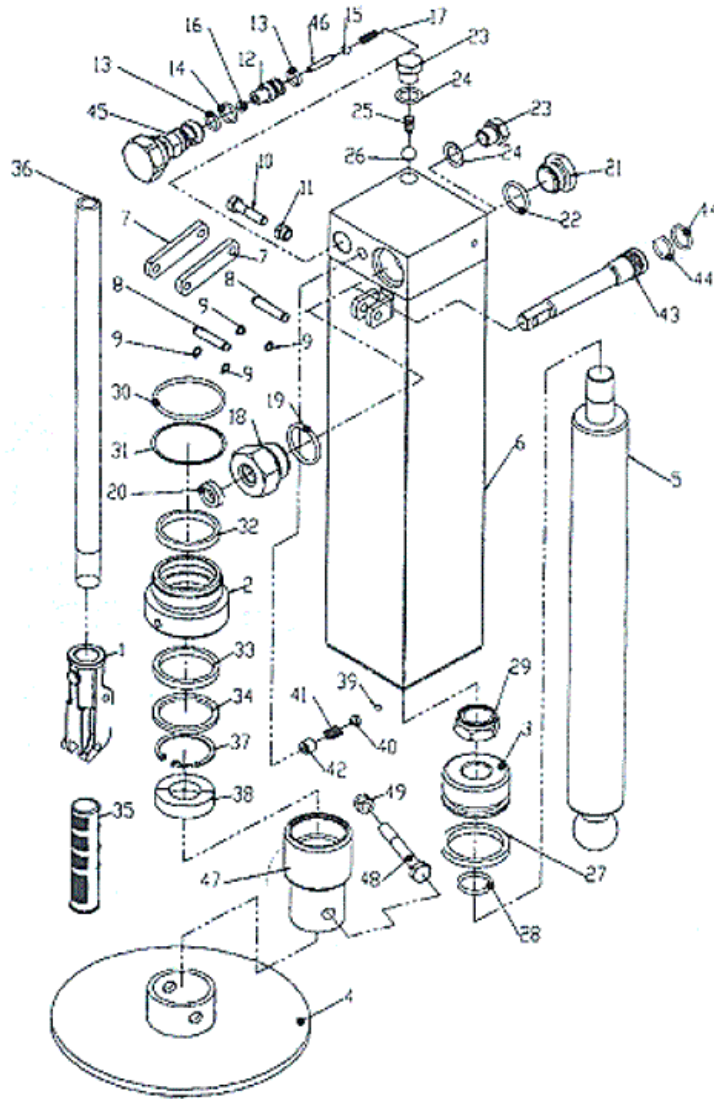
Running Gear Assembly			
No.	Part Number	Description	Qty.
1a	022-1063-0	Frame AG4	1
1b	022-1178-0	Frame AG5	1
1c	022-1200-0	Frame AG6	1
1d	022-0864-0	Frame AG7	1
1e	990-7090-0	Kit, Turntable Block AG4	1
2	022-1064-0	Pin	1
3a	022-1065-0	Hitch, Ring	1
3b	501-0344-0	Hitch, Clevis (AG4)	1
3c	501-0382-1	Hitch, Clevis (AG5)	1
3d	501-0382-2	Hitch, Clevis (AG6-7)	1
4a	020-0040-2	Screwjack (AG4) (Not as Shown)	1
4b	022-0828-0	Screwjack (AG5-6)	1
4c	022-0867-0	Screwjack (AG7)	1
6	526-5531-0	Tire 11L015 12PLY	2
7a	500-0815-1	Spindle (AG4-5)	2
7b	500-0815-0	Spindle (AG6-7)	2
8a	501-0079-0	Hub, 6 Bolt (888) (AR4-5)	2
8b	226-1598-2	Hub Assy,6 Bolt W803 (AR6-7)	2
9	022-1113-0	Turntable Bearing	1
10	526-5138-1	Wheel,15X10 6Bolt 6"BCD Galv	2
11	500-0641-0	Tube, Inner 11L x 15	2
12	501-0359-0	Tab, Hitch AR4 Only	1
19	022-0868-0	Adapter Jack (AG7) Not Shown	1

Hub Assembly



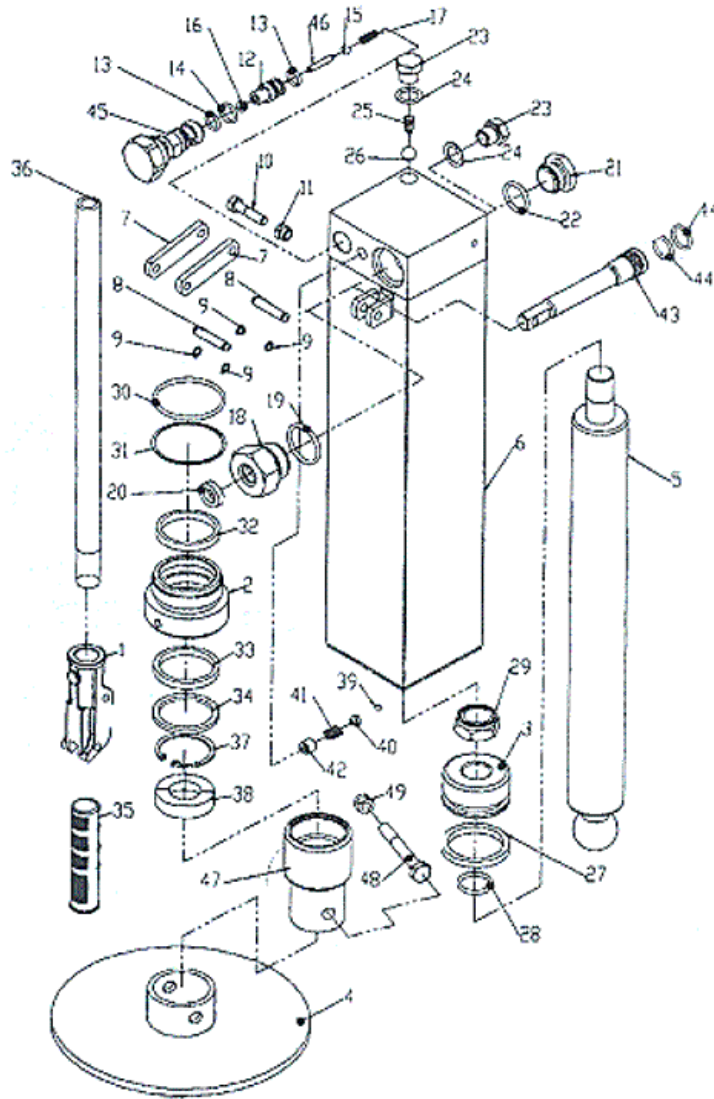
Hub Assembly			
No.	Part Number	Description	Qty.
1	510-0051-0	SEAL CR16289	1
2	510-0050-0	RACE TIMKEN JLM67010	1
3	510-0049-0	BEARING TIMKEN JLM69349	1
4		HUB - ONLY AVAILABLE AS COMPLETE ASSEMBLY	1
5	510-0940-0	RACE,LM67010	1
6	515-0939-0	BEARING,TIMKEN LM67048	1
7	589-0208-0	WASHER,SPINDLE WILTON # 912952	1
8	559-0945-0	PIN,COTTER 5/32X1-3/4	1
9	589-0207-0	NUT,SLOTTED 7/8 WIL912952	1
10	588-0355-0	CAP,HUB WILT 909902	1

Hyd. Jack



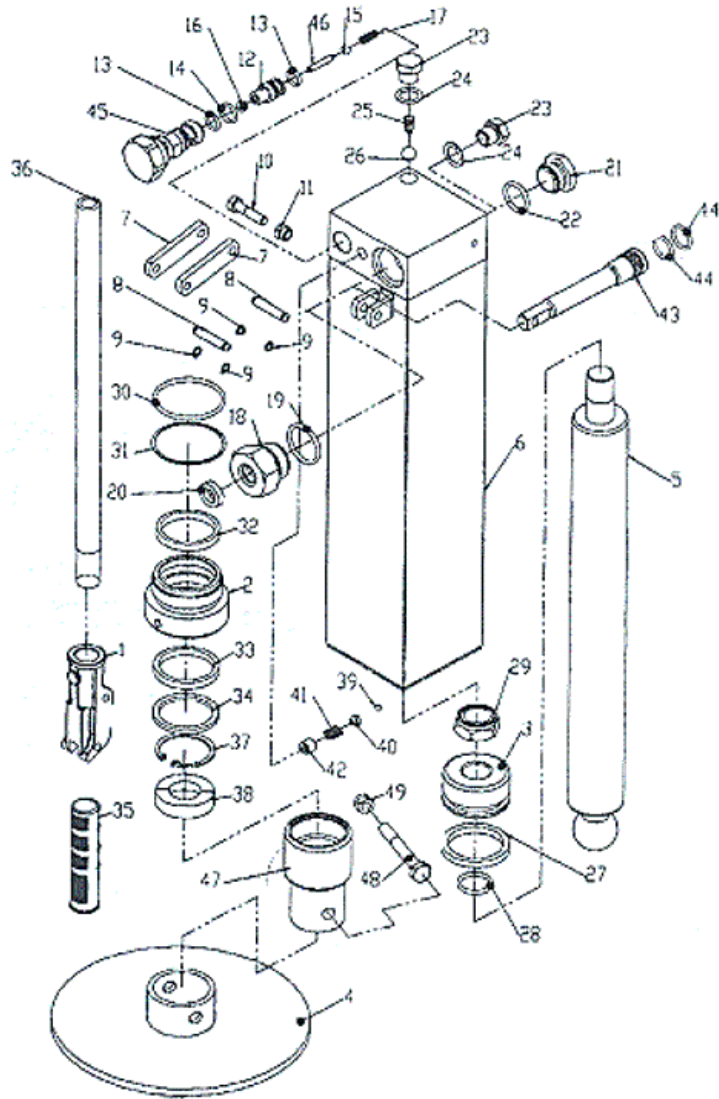
Hydraulic Jack Assembly			
No.	Part Number	Description	Qty.
1a	50401010	HANDLE,BRACKET - HYD JACK	1
2	50401020	HOUSING, LOWER - HYD JACK	1
3	50401030	HOUSING, UPPER - HYD JACK	1
4	50401040	FOOT - HYD JACK	1
5	50401050	CYLINDER JACK	1
6	50401060	JACK HOUSING HYD JACK	1
7	50401070	HANDLE STRAP, HYD JACK	2
8	50401080	HANDLE PIN, HYD JACK	2
9	50401090	SNAP RING, HYD JACK	4
10	55070220	BOLT,8-1.25MM X 35MM	1
11	50401110	NUT, 8MM	1
12	50401120	VALVE SEAT, HYD JACK	1
13	50401130	O-RING 115, HYD JACK	2
14	50401140	O-RING 121, HYD JACK	1
15	50401150	8MM BALL, HYD JACK	1

Hyd. Jack



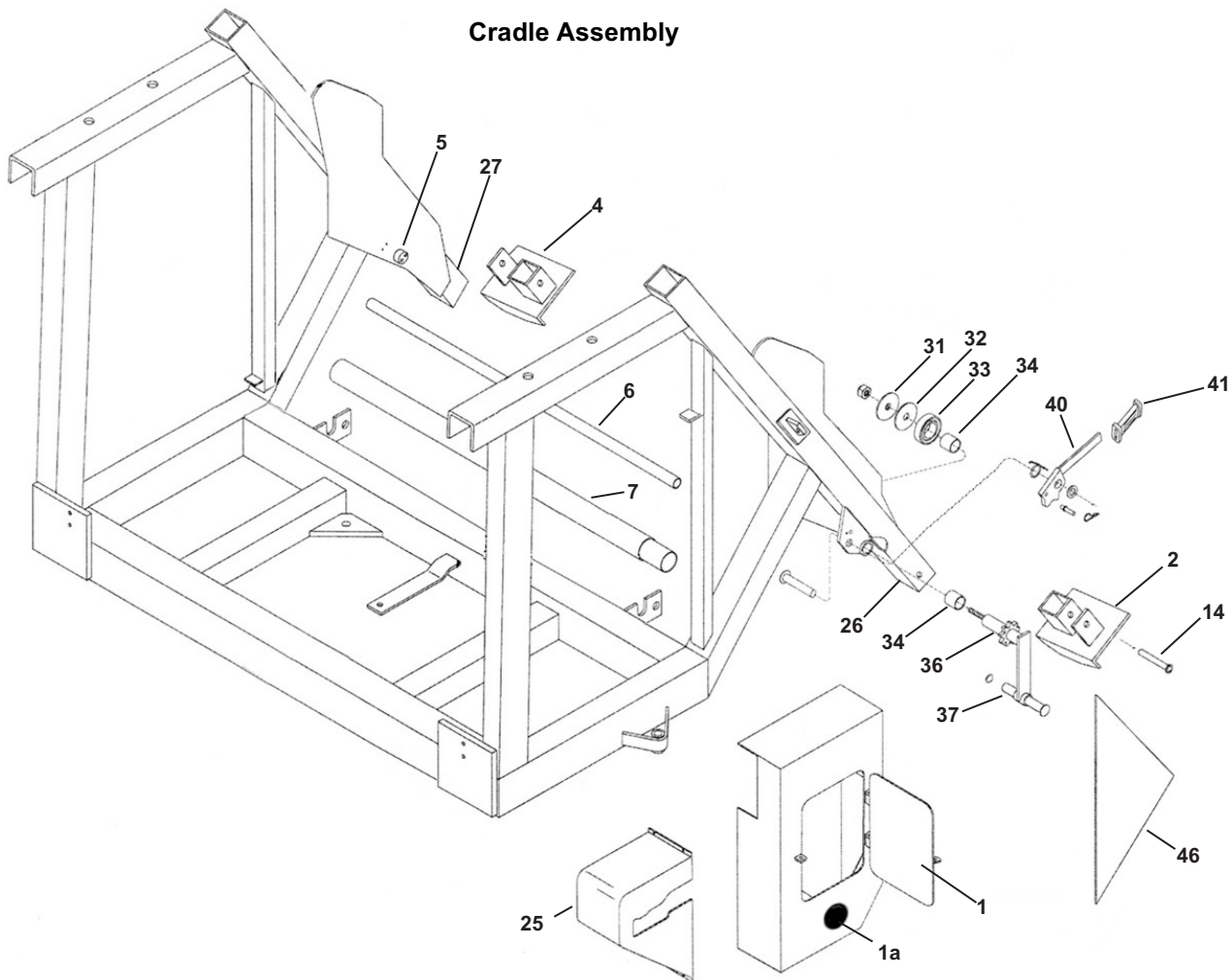
16	50401160	10MM BALL, HYD JACK		1
17	50401170	SPRING, HYD JACK		1
18	50401180	PACKING NUT, HYD JACK		1
19	50401190	O-RING 4131, HYD JACK		1
20	50401200	SEAL, HYD JACK		1
21	50401210	CAP, HYD JACK		1
22	50401220	O-RING 4093, HYD JACK		1
23	50401230	95MM PB23 UNI 4838, HYD JACK		1
24	50401240	RING, SEALING, HYD JACK		1
25	50401250	SPRING, HYD JACK		1
26	50401260	PLUG, (BALL) HYD JACK		1
27	50401270	SEAL, UPPER - HYD JACK		1
28	50401280	O-RING, UPPER (.14X1"ID)- HYD JACK		1
29	50401290	NUT, NYLOCK ROD TOP - HYD JACK		1
30	50401300	O-RING, LOWER (.14X2.25ID)-HYD JACK		1
31	50401310	GUARD, DUST - HYD JACK		1
32	50401320	GUARD DUST, HYD JACK		1
33	50401330	SEAL, LOWER - HYD JACK		1
34	50401340	WIPER, ROD - HYD JACK		1

Hyd. Jack



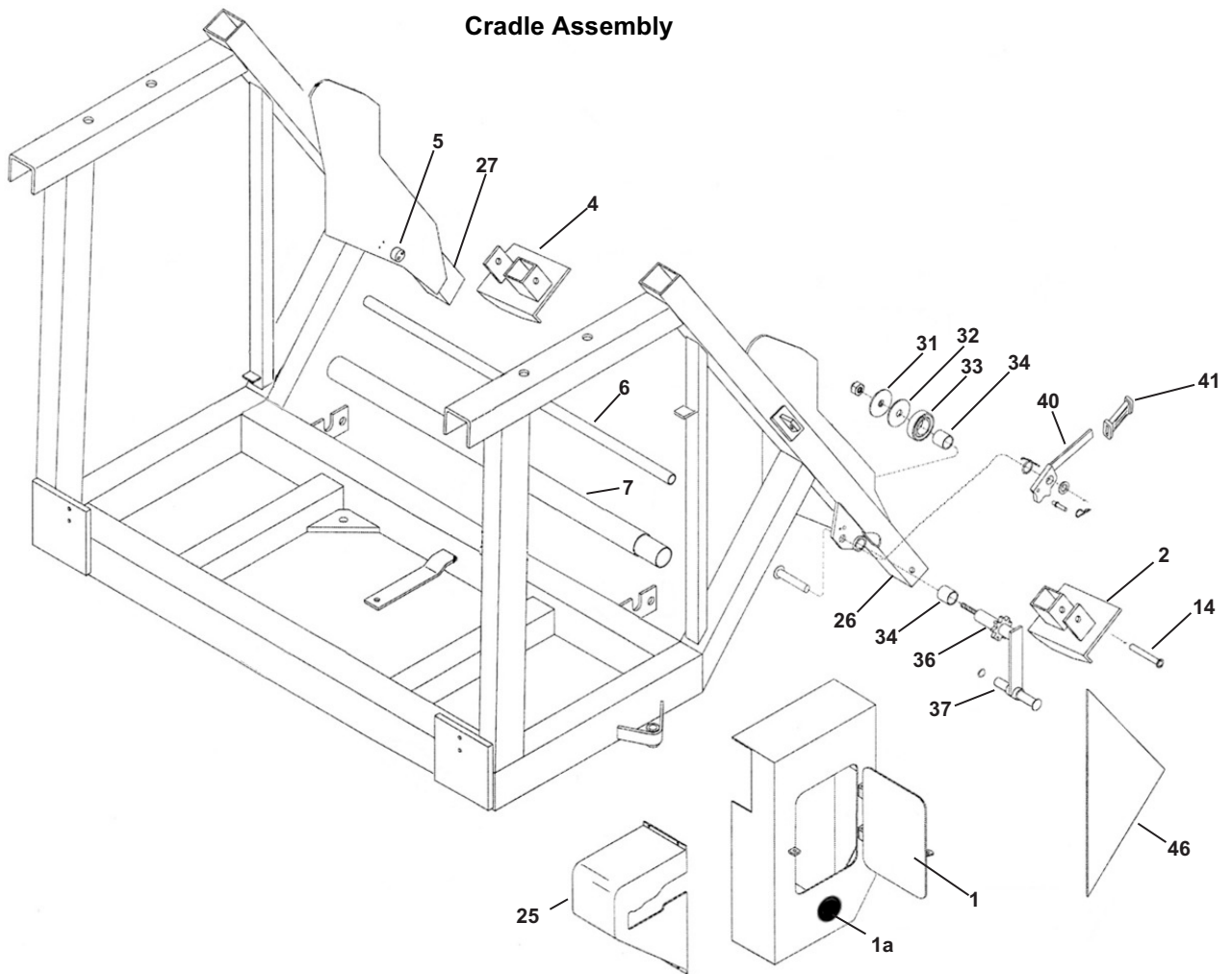
35	50401350	HANDLE GRIP, HYD JACK	1
36	50401360	HANDLE, HYD JACK	1
37	02215440	SNAP RING, MAN/HYDRAULIC JACK, A-SE	1
38	50401380	SPACER, HYD JACK	1
39	50401390	BALL,5.5MM, HYD JACK	1
40	50401400	SEAT, HYD JACK	1
41	50401410	SPRING, HYD JACK	1
42	50401420	SPACER, HYD JACK	1
43	50401430	PISTON, HYD JACK	1
44	50401440	O-RING 3081, HYD JACK	2
45	50401450	VALVE, HYD JACK	1
46	50401460	PIN, HYD JACK	1
47	02215461	KNUCKLE,FOOT TO ROD - MAN/HYD JACK	1
48	55070021	BOLT, 10-1.5MMX75MM	1
49	55170010	NUT 10-1.5MM	1

Cradle Assembly



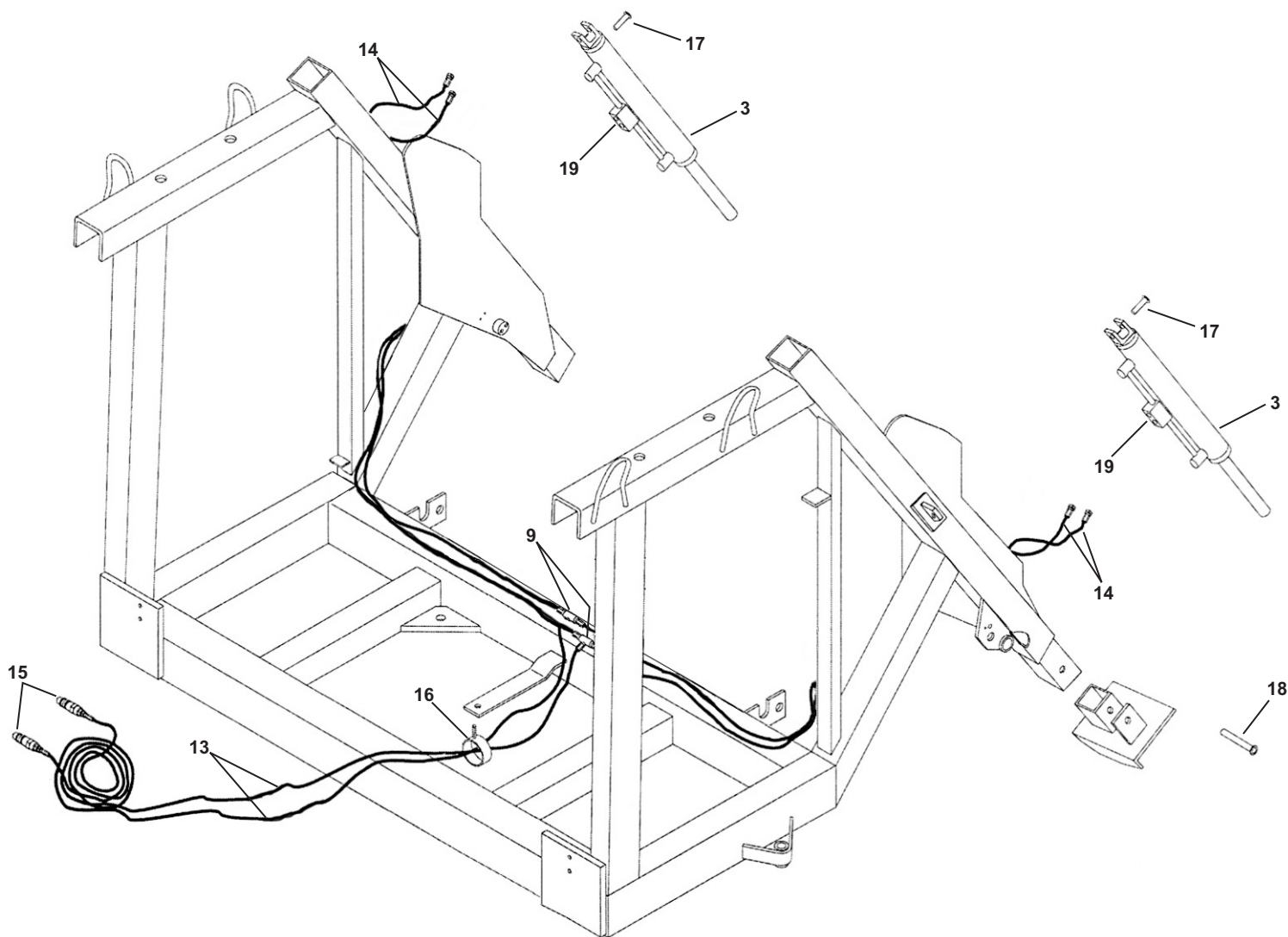
Cradle Assembly				
No.	Part Number	Description	Qty.	
1	022-1067-0	Door	1	
1a	022-1067-1	PTO Guard	1	
2a	022-1068-0	Stabilizer - Turbine or Engine Side (AG4)	1	
2b	022-1153-0	Stabilizer - Turbine or Engine Side (AG5)	1	
2c	022-1195-0	Stabilizer - Turbine or Engine Side (AG6)	1	
2d	022-0882-0	Stabilizer - Turbine or Engine Side (AG7)	1	
4a	022-1069-0	Stabilizer - Chain Side (AG4)	1	
4b	022-1154-0	Stabilizer - Chain Side (AG5)	1	
4c	022-1196-0	Stabilizer - Chain Side (AG6)	1	
4d	022-0884-0	Stabilizer - Chain Side (AG7)	1	
6a	022-1070-0	Hose Guide Bar (AG4)	1	
6b	022-1155-0	Hose Guide Bar (AG5)	1	
6c	022-1197-0	Hose Guide Bar (AG6)	1	
6d	022-0886-0	Hose Guide Bar (AG7)	1	
7a	022-1071-0	Roller (AG4)	1	
7b	022-1156-0	Roller (AG5)	1	
7c	022-1198-0	Roller (AG6)	1	
7d	022-1381-0	Roller (AG7)	1	
14	022-0894-0	Pin Dia. 25mm x 170mm	2	
25	503-0024-0	Belt Shield (AG4-5-6-7)	1	

Cradle Assembly



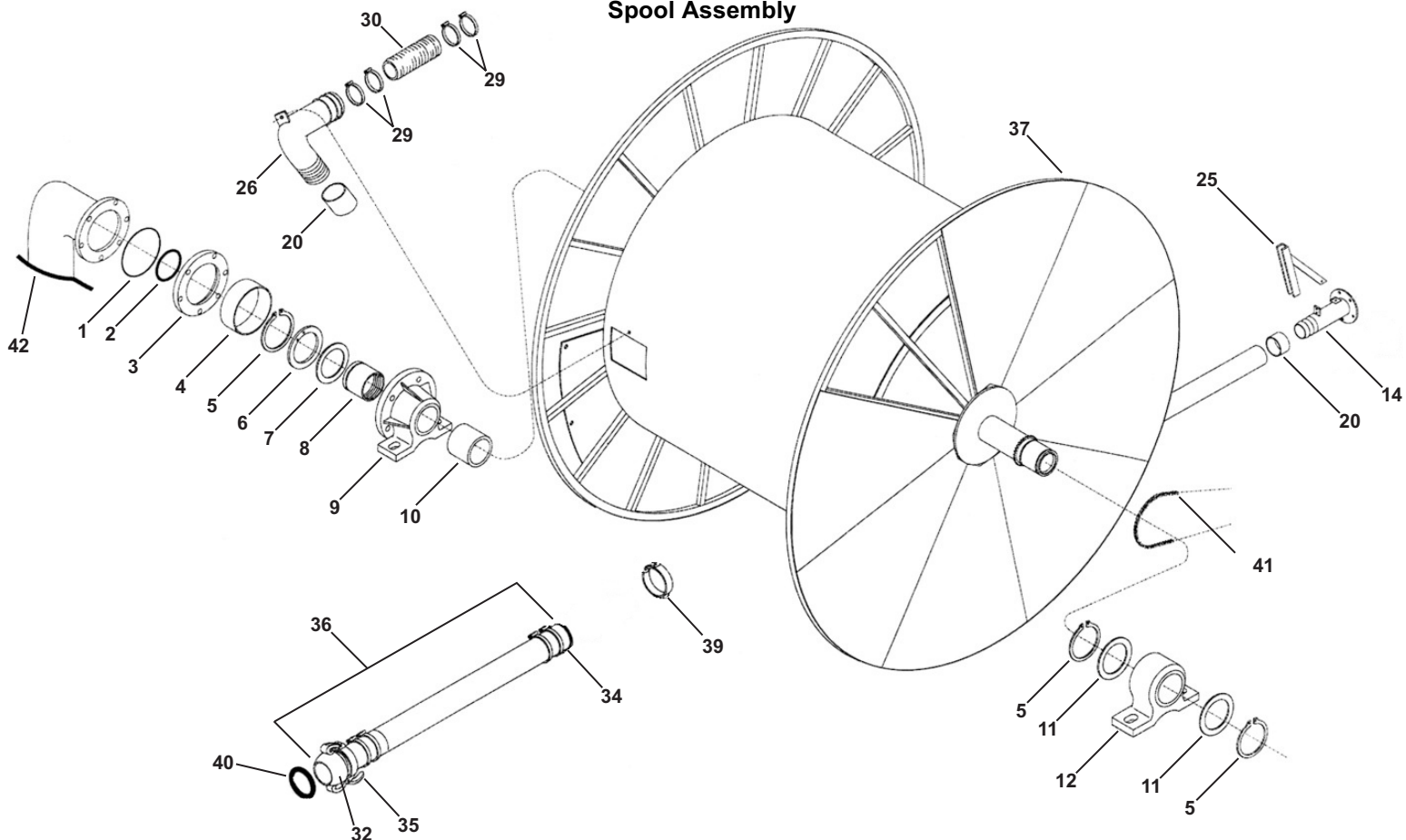
26a	022-1073-0	Leg - Turbine or Engine Side (AG4)		1
26b	022-1160-0	Leg - Turbine or Engine Side (AG5)		1
26c	022-1157-1	Leg - (AG6)		
26d	022-1382-0	Leg-Turbine or Engine Side (AG7)		1
27a	022-1074-0	Leg - Chain Side (AG4)		1
27b	022-1157-0	Leg - Chain Side (AG5)		1
27c	022-1157-1	Leg - (AG6)		
27d	022-1382-0	Leg - Chain Side (AG7)		1
31	020-9905-8	Retaining Nut		2
32	020-9904-9	Washer, Special		2
33	020-9905-9	Rubber Spring		2
34	020-9905-6	Bushing, Stabilizer Crank		4
36a	020-9957-8	Crank (AG4)		2
36b	020-9905-7	Crank (AG5)		2
37	020-9904-8	Crank Pin		2
40a	022-1696-0	CRANK PAWL HOLD TURBINE SIDE		1
40b	022-1696-1	CRANK PAWL HOLD CHAIN SIDE		1
46a	022-1075-0	Guard (AG4)		1
46b	0221072-0	Guard (AG5)		1
46c	022-1199-0	Guard (AG6)		1
46d	022-1384-0	Guard (AG7)		1
47	502-0005-0	Wheel, Manual Tube Wind		
48	022-1700-0	STOP TURRET PIN		1

Hydraulics



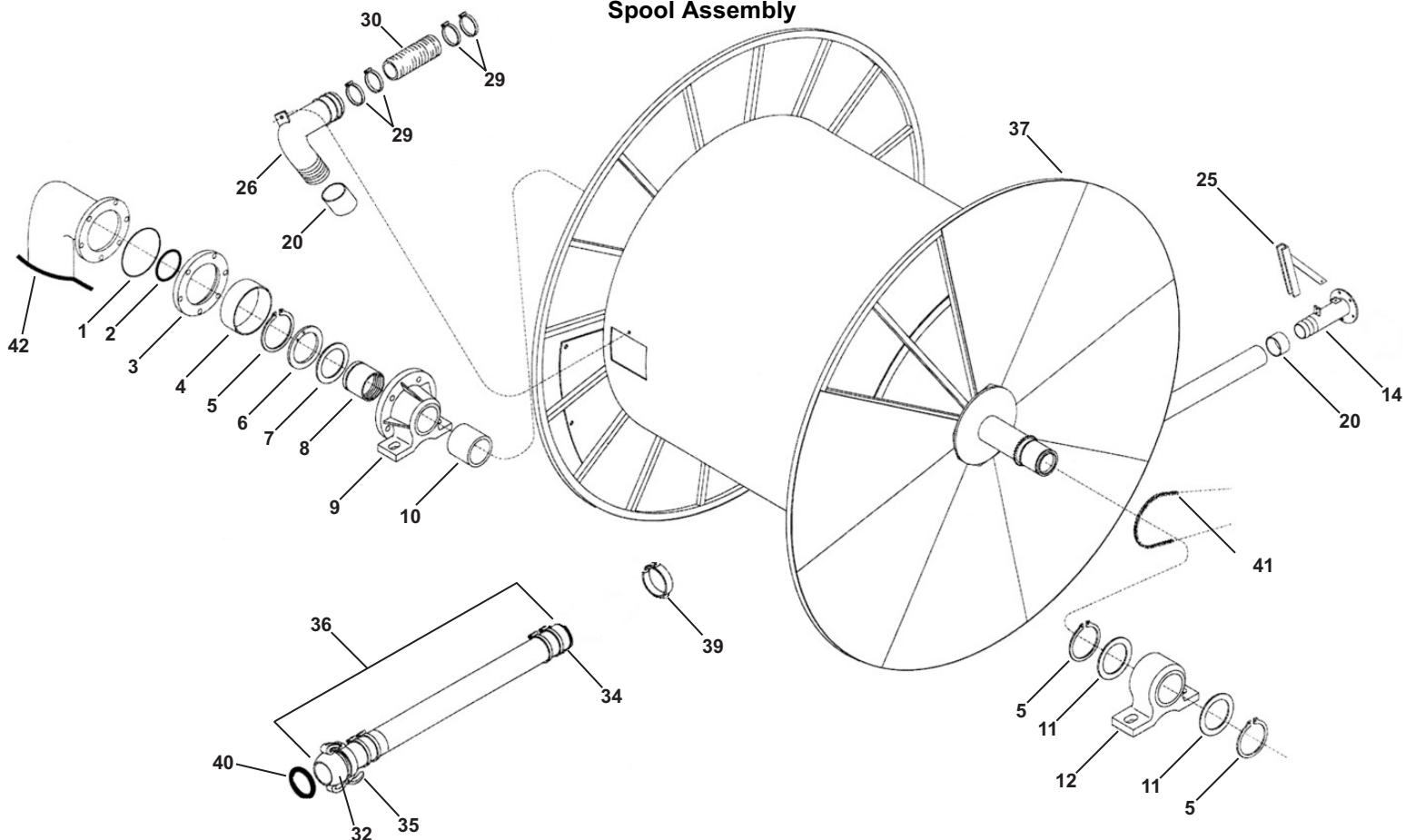
Hydraulics			
No.	Part Number	Description	Qty.
3a	022-1224-0	Cylinder L:1000	2
3b	022-1467-0	kit, Rebuild seal Hydraulic Cylinder	1
9	022-0889-0	Tee 1/4" M-M-M	2
13	022-0895-0	Hose R1T_x_8.0mt	2
14	022-0891-0	Hose R1T_x_1.8mt.	4
15	022-0896-0	Quick Coupling Male	2
16	022-0900-0	Rubber Hose Support	1
17	022-0893-0	Pin 25mm X 55mm Long	2
18	022-0894-0	Pin 25mm X 170mm Long	2
19	022-1400-0	Block	2

Spool Assembly



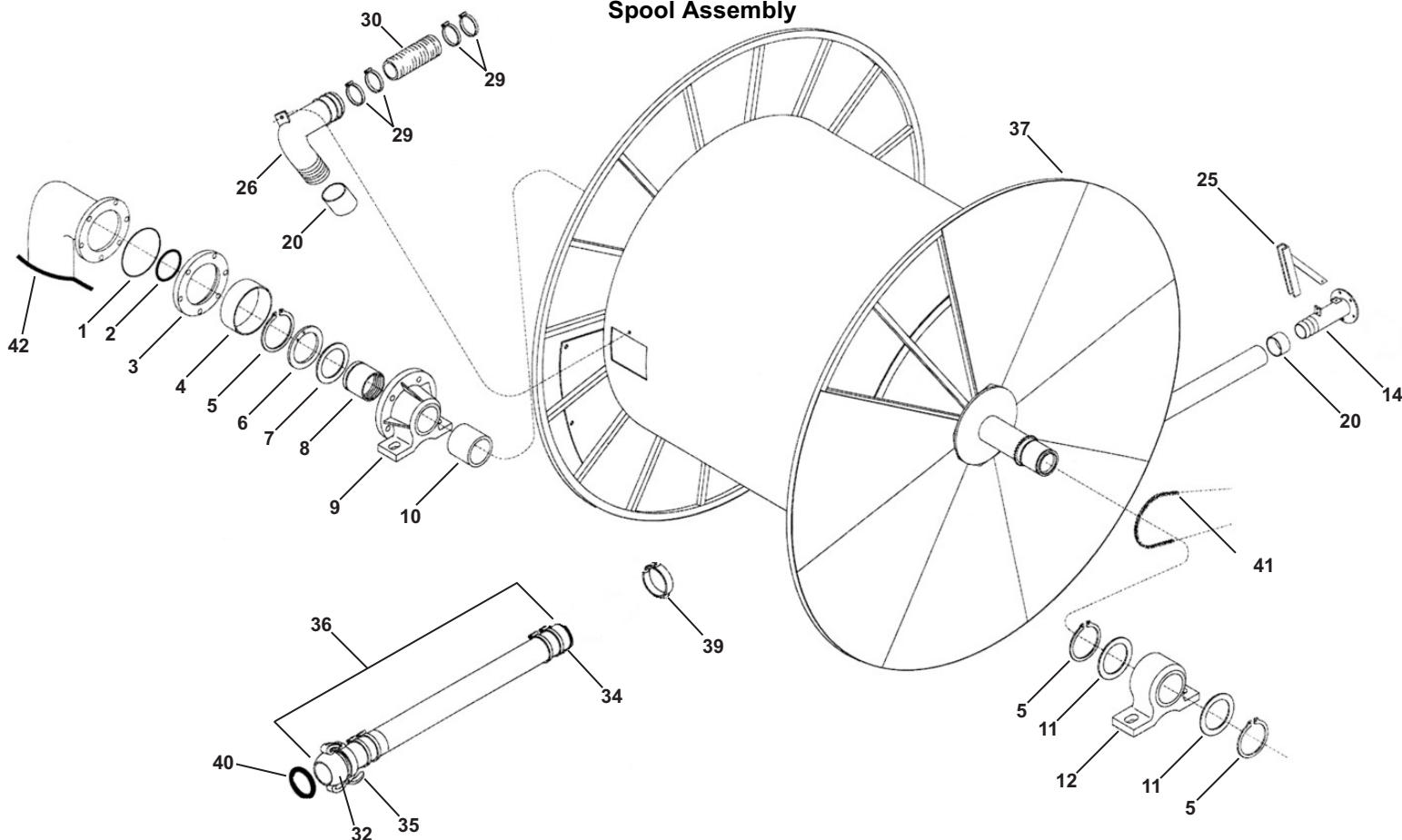
Spool Assembly				
No.	Part Number	Description	Qty.	
1a	022-0484-0	O-Ring, 104mm x 3.53mm CS (AG4)	1	
1b	465-4848-2	O-RING 4-7/8X4-5/8X1/8 (AG5)	1	
1c	465-4850-1	O-RING 5-3/4X5-1/2X1/8 (AG6/7)	1	
2a	022-1010-0	O-Ring, 335 (69.22 x 5.34) (AG4)	1	
2b	022-1037-0	O-Ring, 3.35" ID X .210" CS (AG5)	1	
2c	465-4848-1	O-RING 4-3/4X4-1/4 90DURO	1	
3a	022-0753-4	Sealing Ring (AG4)	1	
3b	022-0753-2	Sealing Ring (AG5)	1	
3c	022-0851-1	Sealing Ring (AG6-7)	1	
4a	022-0699-0	Spacer (AG4)	1	
4b	022-1402-0	Spacer (AG5)	1	
4c	022-0754-1	Spacer (AG6-7)	1	
5a	020-0042-8	Snap Ring 65mm (AG4)	3	
5b	022-0037-0	Snap Ring E85 (AG5)	1	
5c	022-0008-0	Snap Ring E110 (AG6-7)	1	
6a	020-0043-9	Washer Thrust, (AG4)	1	
6b	022-1188-0	Washer Thrust, (AG5)	1	
6c	022-0009-0	Washer Thrust, (AG6-7)	1	
7a	020-0044-1	Washer, Wear (AG4)	1	
7b	022-0036-0	Washer, Wear (AG5)	1	
7c	022-0010-0	Washer, Wear (AG6-7)	1	
8a	593-0245-1	Ring Nut, Slip Joint (AG5)	1	
8b	593-0245-0	Ring Nut, Slip Joint (AG6-7)	1	

Spool Assembly



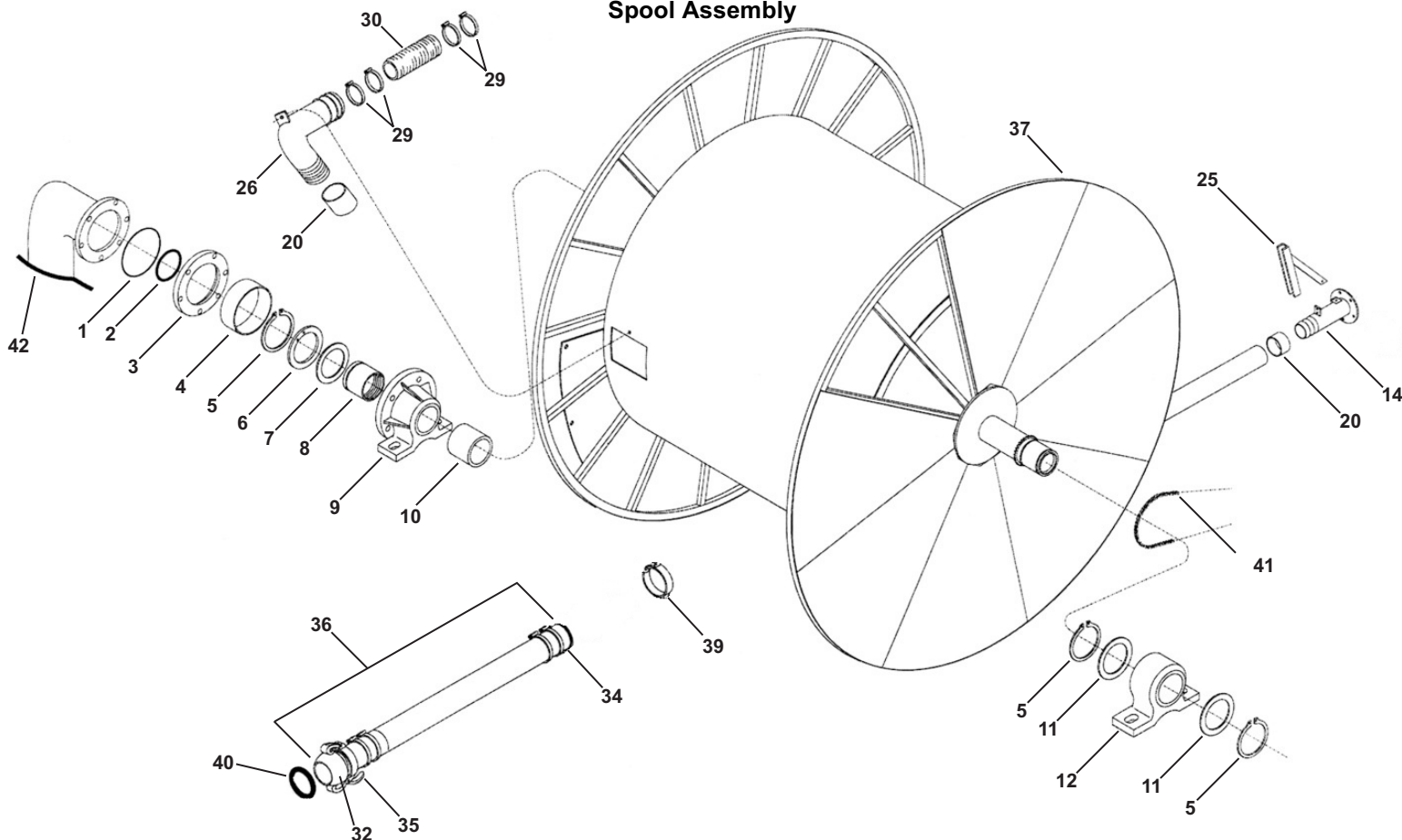
9a	020-0044-2	Bearing, Flanged (AG4)		1
9b	022-0032-0	Bearing, Flanged (AG5)		1
9c	022-0013-0	Bearing, Flanged (AG6-7)		1
10a	022-1078-0	Sleeve (AG4)		1
10b	022-1161-0	Sleeve (AG5)		1
10c	022-1385-0	Sleeve (AG6-7)		1
11a	020-0042-9	Spacer (AG4)		1
11b	022-0038-0	Spacer (AG5)		1
11c	020-9906-2	Spacer (AG6-7)		1
12a	020-0043-0	Support Bearing (AG4)		1
12b	020-9958-1	Support Bearing (AG5)		1
12c	022-0015-0	Support Bearing (AG6-7)		1
14a	022-0740-5	Tube End, 25 75mm		1
14b	022-0740-4	Tube End 27 82mm		1
14c	022-0740-3	Tube End 30 90mm		1
14d	022-0740-2	Tube End 33 100mm		1
14e	022-0740-1	Tube End 37 110mm		1
14f	022-0862-0	Tube End 40 120mm		1
14g	022-0740-6	Tube End 40 135mm		1
20a	020-9945-0	Hose Band, 75mm		2
20b	020-9911-2	Band, Hose 82mm		2
20c	020-9911-3	Band, Hose 90mm		2
20d	020-9911-4	Band, Hose 100mm		2
20e	020-9911-5	Band, Hose 110mm		2
20f	020-0383-3	Band, Hose 120mm		2
20g	022-0843-0	Band, Hose 135mm		1

Spool Assembly



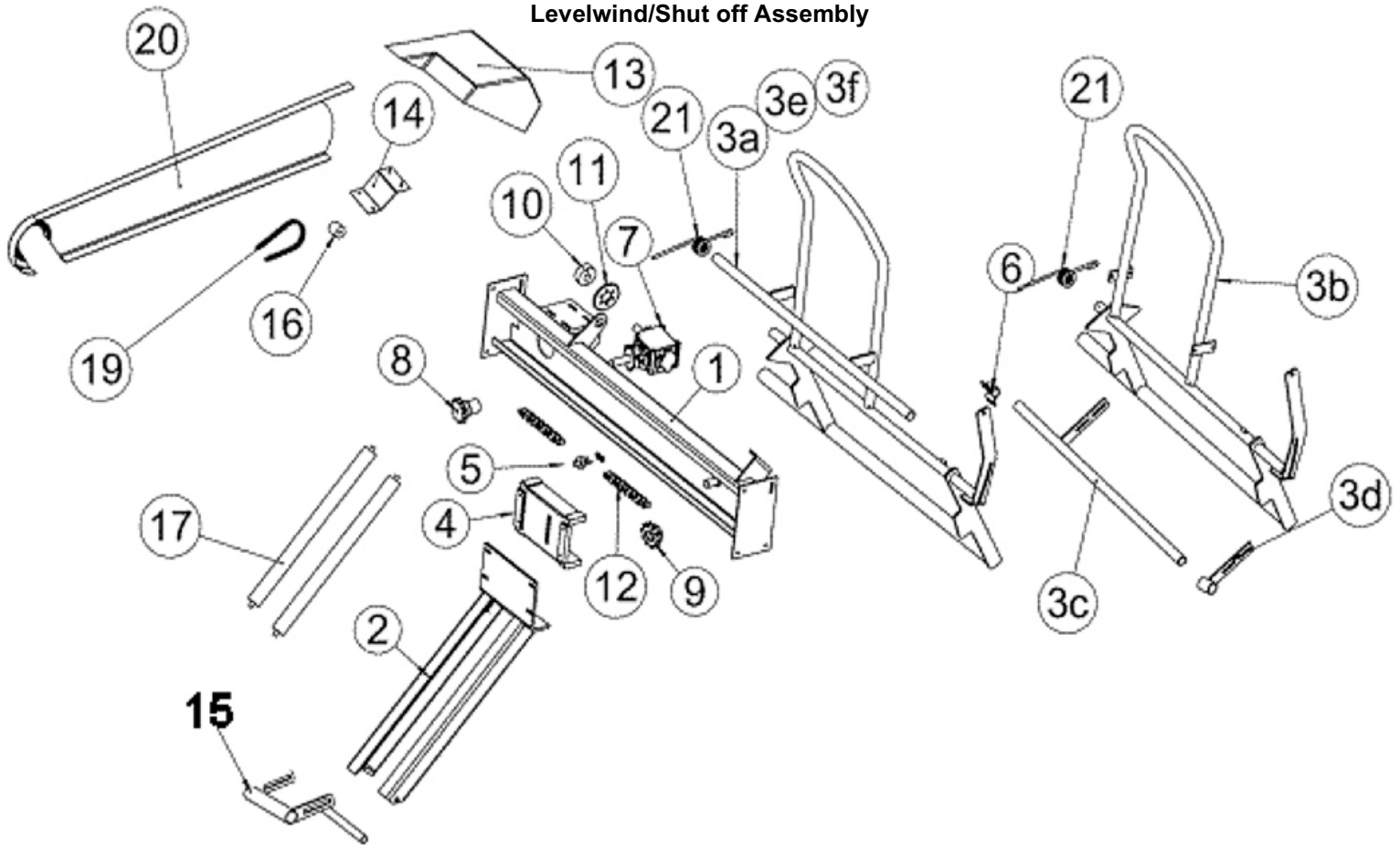
25	022-0861-0	Stop, Bar		1
26a	022-1081-1	Elbow, 75mm (AG4)		1
26b	022-1081-0	Elbow, 82mm (AG4)		1
26c	022-1229-0	Elbow, 90mm (AG4)		1
26d	022-1162-3	Elbow, 82mm (AG5)		1
26e	022-1162-0	Elbow, 90mm (AG5)		1
26f	022-1230-0	Elbow, 100mm (AG5)		1
26g	022-1215-1	Elbow, 110mm (AG5)		1
26h	022-1162-2	Elbow, 100mm (AG6)		1
26i	022-1215-0	Elbow, 110mm (AG6)		1
26j	022-1215-2	Elbow, 120mm (AR6)		1
26k	022-1386-0	Elbow, 100mm (AR7)		1
26L	022-1386-1	Elbow, 110mm (AR7)		1
26m	022-1386-2	Elbow, 120mm (AR7)		1
26n	022-1386-3	Elbow, 135mm (AR7)		1
29a	030-1919-4	Supra Clamp 73mm x 79mm (AG4)		8
29b	030-1921-5	Supra Clamp 85mm-91mm (AG5)		8
29c	030-1925-8	Supra Clamp 112mm-121mm (AG6)		8
29d	030-1925-8	Supra Clamp 112mm-121mm (AG7)		8
30a	022-0148-1	HOSE, 70X79MM -0,55-4M (21.65") LONG (AG4)		1
30b	022-0031-0	HOSE, 80X98MM -0,6-4M (32.287") LONG (AR5) have to cut length		1
30c	020-1627-1	HOSE 100 X 118 X .55M (21.65") LONG (AG6)		1
30d	022-1627-0	HOSE 100 X 118 X .7M (27.6") LONG (AG7)		1
32a	588-0256-0	Hose End Outlet 3" (AG4)		1
32b	588-0256-1	Hose End Outlet 4" (AG5, AG6, AG7)		1

Spool Assembly



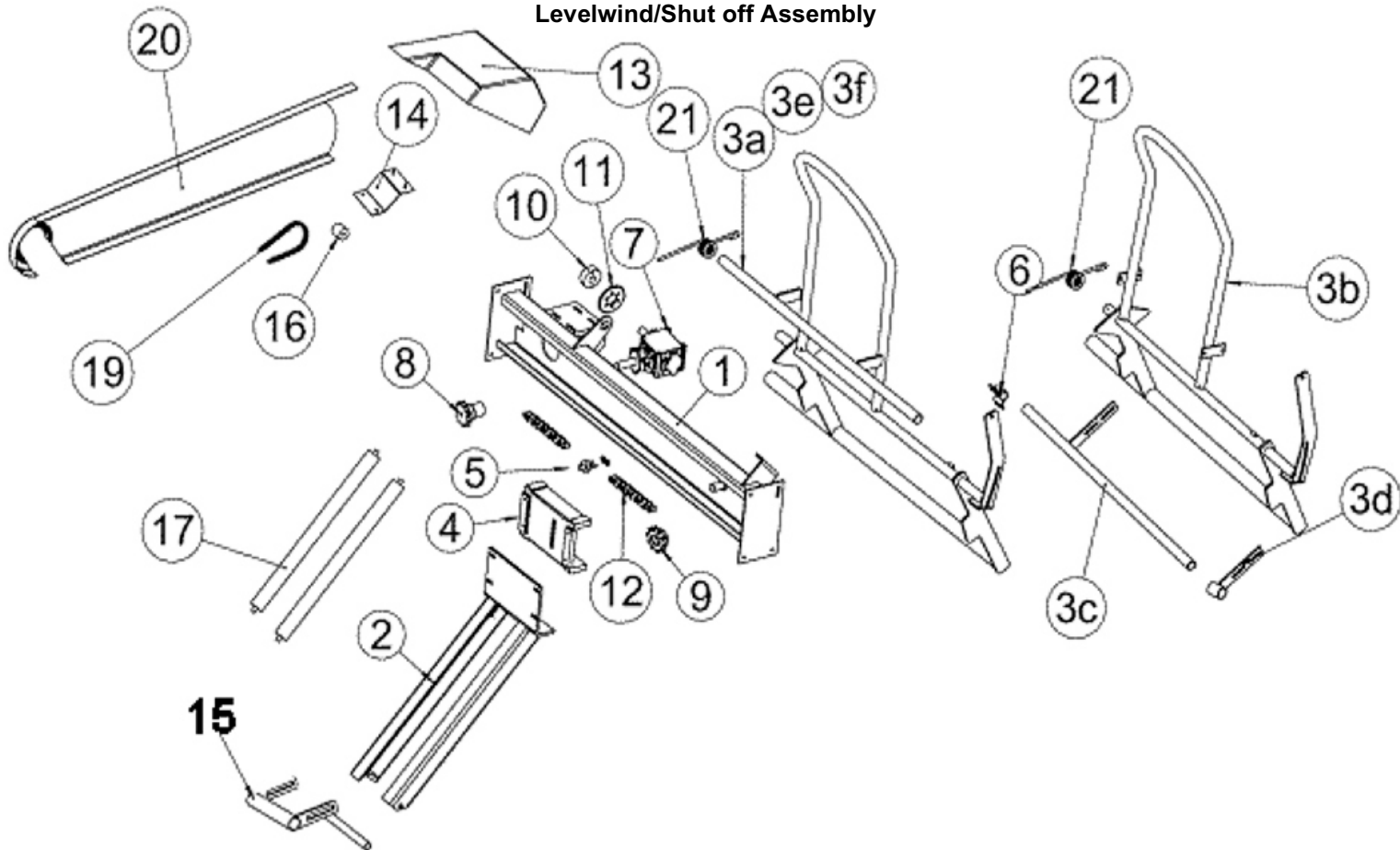
34a	588-0266-2	Hose End, 3" x 4" Male Ring Long (AG4)		1
34b	588-0266-0	Hose End Inlet 4" (AG5, AG6, AG7)		1
35a	588-0022-1	Ring, 3" Lever Lock (AG4)		1
35b	588-0023-1	Ring, 4" Lever Lock (AG5, AG6, AG7)		1
36a	588-0284-1	Supply Hose 3" x 30 Ft. Complete (AG4)		1
36b	588-0284-0	Supply Hose 4" x 30 Ft. Comp. (AG5,6,7)		1
36c	030-1924-0	Clamp Supra 104mm-112mm (for 4" Supply Hose only) not shown		4
37a	503-0180-0	Spool Shield Kifco Ag-Rain (AG4) not shown		4
37b	503-0180-1	Spool Shield Kifco Ag-Rain (AG5/5+) not shown		4
37c	503-0180-2	Spool Shield Kifco Ag-Rain (AG6) not shown		4
37d	503-0180-3	Spool Shield Kifco Ag-Rain (AG7) not shown		4
38a	252-4962-2	Hose, 3" Irrigation Supply (AG4)	Ft.	30
38b	252-4962-0	Hose, 4" Irrigation Supply (AG5,6,7)	Ft.	30
39	400-4927-0	4" Ring Lock Band		1
40a	588-0023-3	O-Ring 4" (AG5,6,7)		1
40b	588-0022-3	O-Ring 3" (AG4)		1
41a	020-0114-0	Chain 1/2" 243 Rollers (AG4)	FT.	10.13
41b	020-0114-0	Chain 1/2" 263 Rollers (AG5)	FT.	10.96
41c	020-0114-0	Chain 1/2" 295 Rollers (AG6)	FT.	12.29
41d	020-0114-0	Chain 1/2" 315 Rollers (AG7)	FT.	13.13
42a	502-0384-1	Elbow, Upper AG4		1
42b	502-0366-1	Elbow, Upper AG5 380540+		1
42c	502-0366-0	Elbow, Upper AG6 & AG7 380540+		1

Levelwind/Shut off Assembly



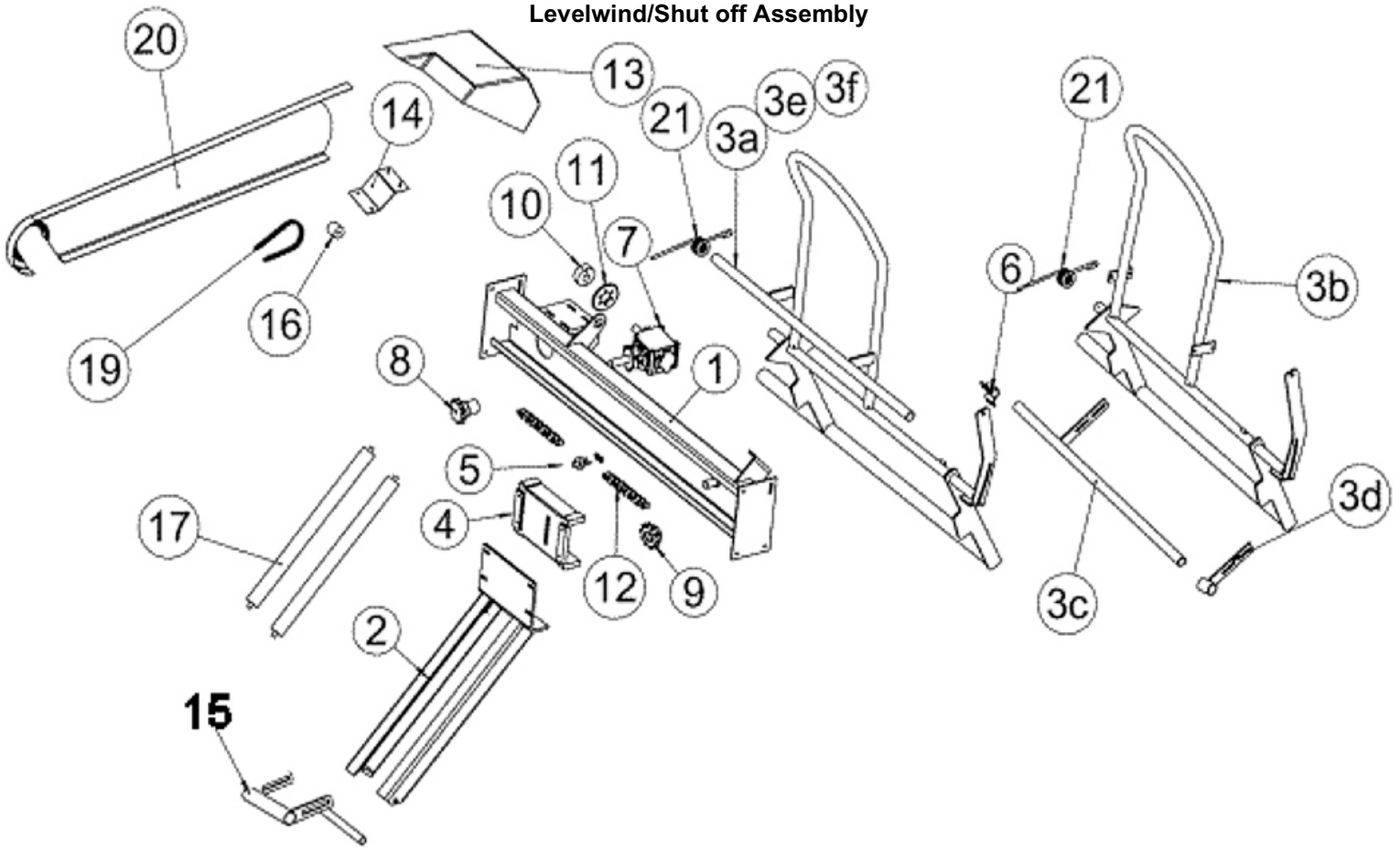
Levelwind Assembly				
No.	Part Number	Description		Qty.
1a	022-1091-0	Levelwind Frame AG4		1
1b	022-1163-0	Levelwind Frame AG5		1
1c	022-1191-0	Levelwind Frame AG6		1
1d	022-1091-1	Levelwind Frame AG7		1
2a	022-1098-1	Fork for E75 (AG4)		1
2b	022-1098-0	Fork for E82-90 (AG4)		1
2c	022-1166-1	Fork for E75 (AG5)		1
2d	022-1166-0	Fork for E82-90 (AG5)		1
2e	022-1166-2	Fork for E 100-110 (AG5)		1
2f	022-1193-0	Fork for E100-110 (AG6)		1
2g	022-1193-1	Fork for E120 (AG6)		1
2h	022-1387-0	Fork for E100-110 (AG7)		1
2i	022-1387-1	Fork, E120 (137 Deg) - AG7		1
2j	022-1387-2	Fork, E135 (137 Deg) - AG7		1
3a	502-0503-3	Shut Off Bar AG4		1
3b	502-0765-1	Shut Off Bar AG5		1
3c	503-0023-1	Safety Bar AG5		1
3d	503-0122-0	Compensator/Shut Off Bar Brkt (AG5/5+)		1
3e	502-0765-0	Shut Off Bar AG6		1
3f	502-0503-0	Shut Off Bar AG7		1
4a	022-1097-0	Support, Fork - AR4		1
4b	022-0908-0	Support, Fork - AG5, AG6, AG7		1

Levelwind/Shut off Assembly



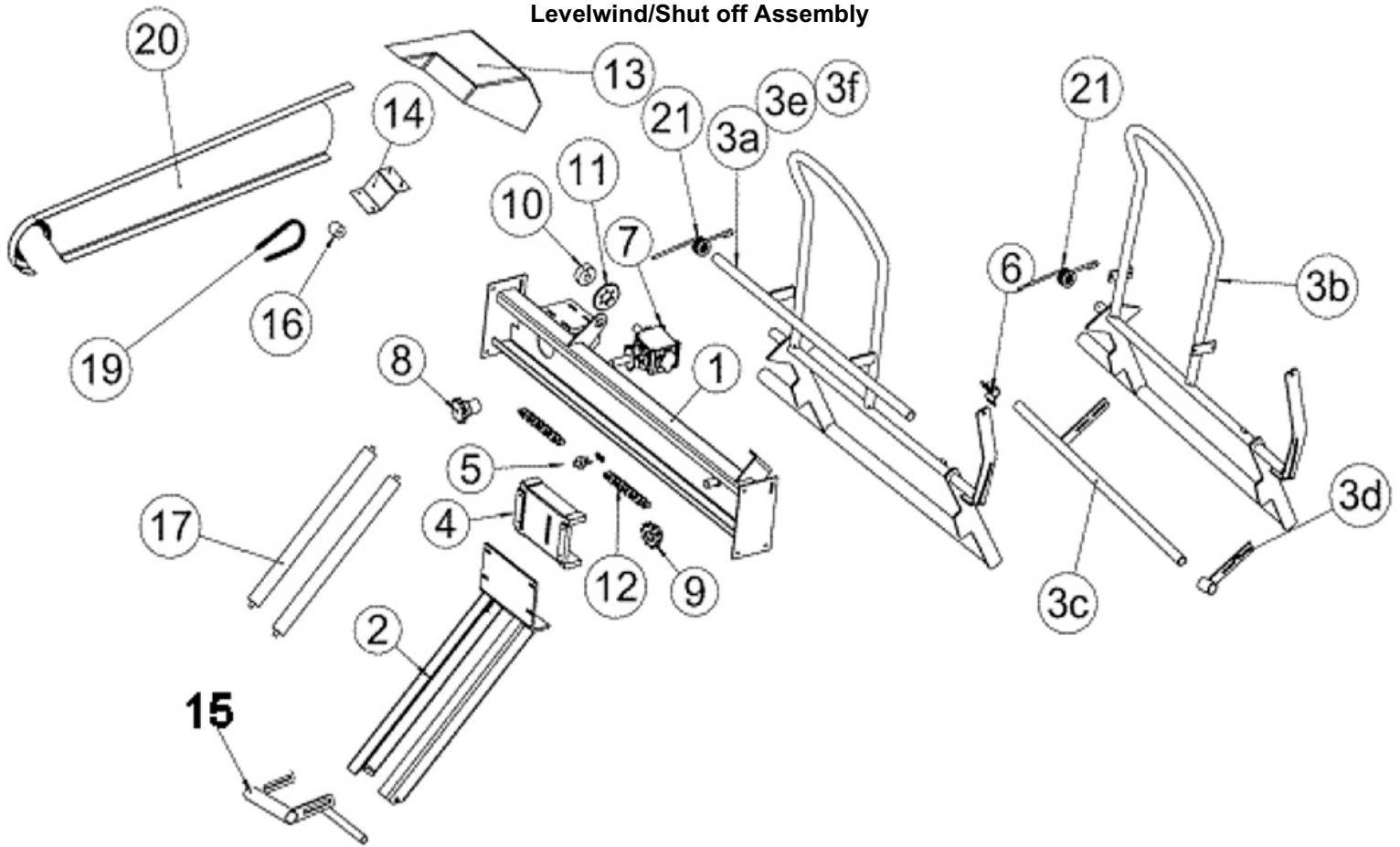
5a	022-0905-0	Link, Hose Guide, Oval End, 5/8" (AG4)		1
5b	022-0905-1	Link, Hose Guide, Oval End, 1" (AG5-6-7)		1
6	020-0016-4	Retainer		1
7a	020-0108-5	GEARBOX,RIGHT ANGLE (AG4)		1
7b	020-0015-4	Gearbox (AG 5/6/7)		1
8a	020-0047-9	Sprocket, 13 Tooth 5/8" Pitch (AG4)		1
8b	022-0904-0	Sprocket, 10 Tooth 1" Pitch (AG5-6-7)		1
9a	020-0047-5	Sprocket, 13 Tooth 5/8" Pitch (AR4)		1
9b	020-9914-8	Srkt,Idler 80B10T 25MM		1
10a	020-0015-3	Sprocket Hub		1
10b	022-0788-0	Key 8mm x 7mm x 25mm (not shown)		1
11a	020-0048-2	Sprocket 1/2" Z30 x Hose Dia. 2.5" (AG4)		1
11b	022-0386-1	Sprocket 1/2" Z32 x Hose Dia. 2.3" (AG4)		1
11c	020-0867-0	Sprocket 1/2" Z43 x Hose Dia. 2.5" (AG5)		1
11d	022-0386-0	Sprocket 1/2" Z27 x Hose Dia. 2.7" (AG4)		1
11e	022-1095-0	Sprocket 1/2" Z39 x Hose Dia. 2.7" (AG5)		1
11f	022-0125-0	Sprocket 1/2" Z25 x Hose Dia. 3.0" (AG4)		1
11g	022-1164-0	Sprocket 1/2" Z35 x Hose Dia. 3.0" (AG5)		1
11h	022-0386-2	Sprocket 1/2" Z31 x Hose Dia. 3.3" (AG5)		1
11j	022-0124-0	Sprocket 1/2" Z29 x Hose Dia. 3.7" (AG5)		1
11k		Sprocket 1/2" Z50 x Hose Dia. 2.7" (AG6)		1
11l	020-9915-6	Sprocket 1/2" Z45 x Hose Dia. 3.0" (AG6)		1
11m		Sprocket 1/2" Z40 x Hose Dia. 3.3"(AG6-7)		1
11n		Sprocket 1/2" Z36 x Hose Dia. 3.7"(AG6-7)		1
11o	020-0461-0	Sprocket 1/2" Z33 x Hose Dia. 4.0"(AG6-7)		1
11p	022-0124-0	Sprocket 1/2" Z29 x Hose Dia. 4.5"(AG6-7)		1

Levelwind/Shut off Assembly



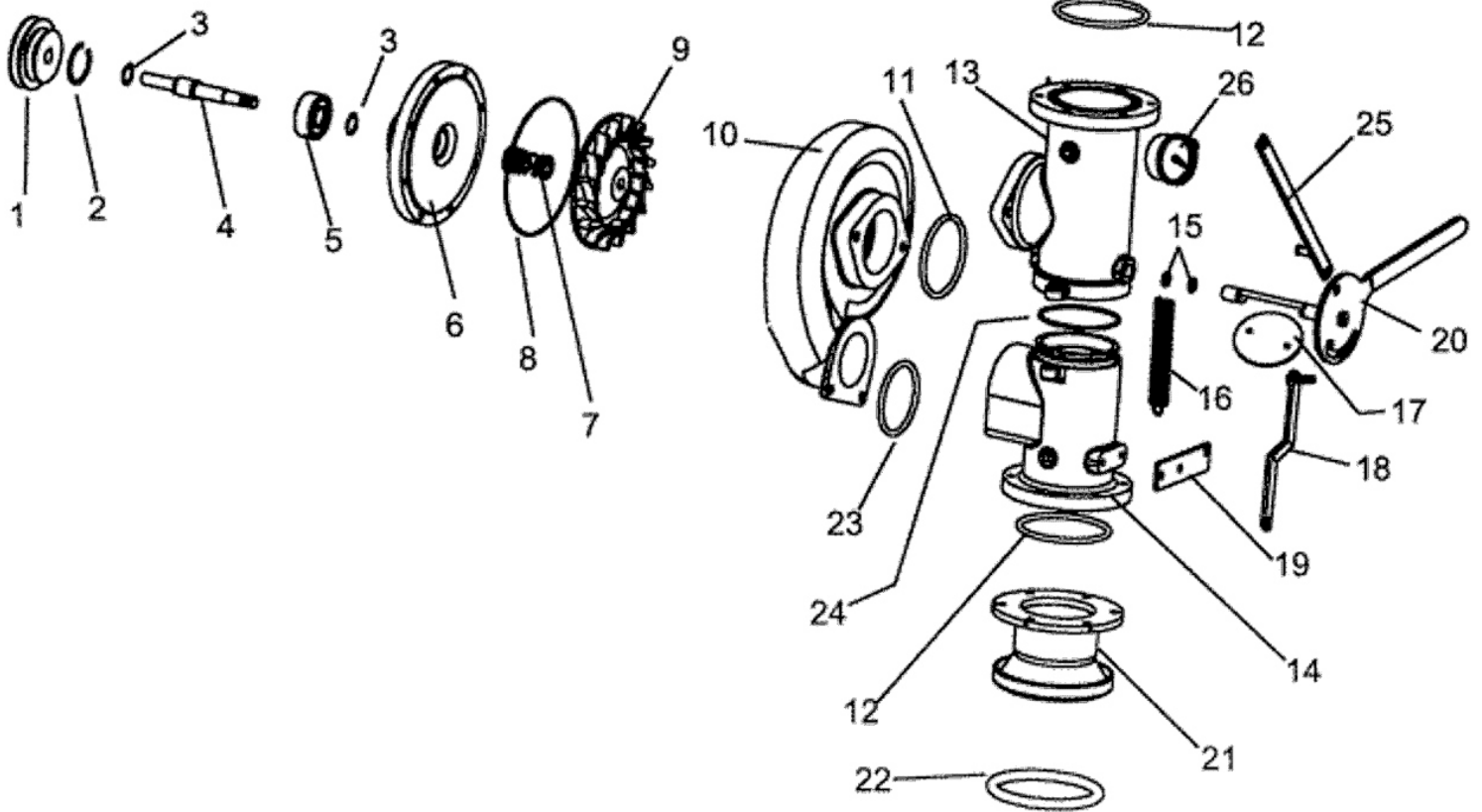
12A	020-0114-1	Chain, 5/8" 117P (118 Rollers) (AG4)	Ft.	6.09
12B	875-4848-2	Chain, 1.0" 85P (86 Rollers) (AG5)	Ft.	7.08
12C	875-4848-2	Chain, 1.0" 84P (85 Rollers) (E110) (AG5)	Ft.	7.00
12D	875-4848-2	Chain, 1.0" 91P (92 Rollers) (AG6)	Ft.	7.58
12E	875-4848-2	Chain, 1.0" 99P (100 Rollers) (AG7)	Ft.	8.25
13	022-1101-0	Shield		1
14	022-1093-0	Shield Mt.		1
15a	022-1099-0	Guide, Ø75, 82, 90 Fork- AR4		1
15b	022-1099-1	Fork Guide for E 82-90-100 (AR5)		1
15c	022-1099-2	Fork Guide for E 110 (AR5)		1
15d	022-1207-2	Guide, Ø100-110 ST6		1
15e	022-1207-1	Guide, E 120 (AR6)		1
15f	022-1388-0	Guide, Ø100-110mm PE Fork - AR7		1
15g	022-1388-1	Guide, Ø120mm PE Fork - AR7		1
16	022-1104-0	Chain Tightener		1
17	022-0911-0	Roller, Vert. (AG6-7)		1
18a	022-1406-0	Spacer, 90mm PE Fork (4.33")-AR4		1
18b	022-1406-1	Spacer, 90mm-100mm PE Fork - AR5/5+ (3.60"		1
18c	022-1406-3	Spacer, 110mmPE Fork (8.86")-AR6		1
18d	022-1406-4	Spacer, 120mmPE Fork (9.25")-AR7		1
19a	020-0114-0	Chain 1/2" 243 Rollers (AR4)	FT.	10.13
19b	020-0114-0	Chain 1/2" 263 Rollers (AR5)	FT.	10.96
19c	020-0114-0	Chain 1/2" 295 Rollers (AR6)	FT.	12.29
19d	020-0114-0	Chain 1/2" 315 Rollers (AR7)	FT.	13.13

Levelwind/Shut off Assembly



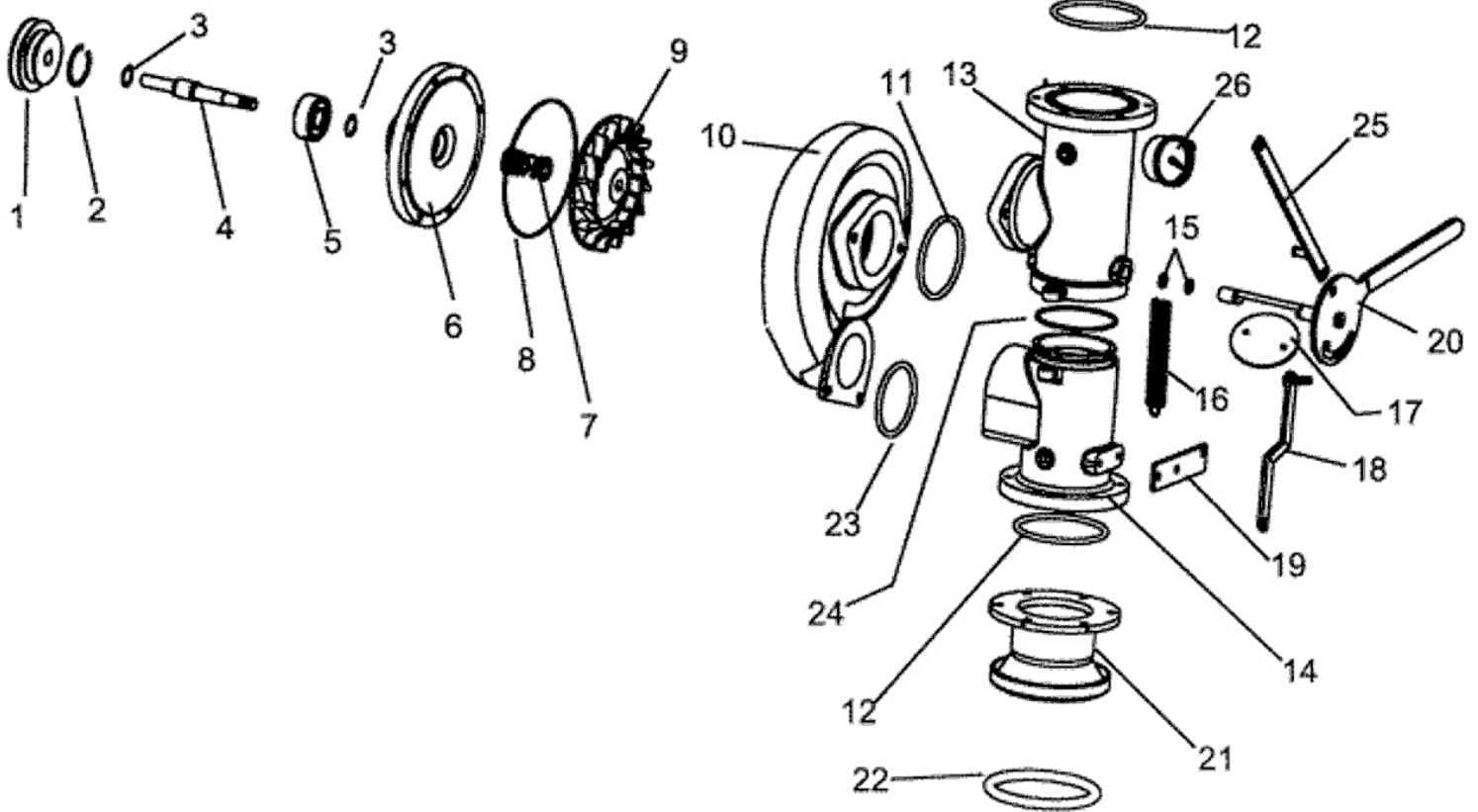
20a	022-1103-0	Shield, Levelwind Drive, AR4		1
20b	022-1103-1	Shield, Levelwind Drive, AR5		1
20c	022-1103-2	Shield, Levelwind Drive, AR6		1
20d	022-1103-3	Shield, Levelwind Drive, AR7		1
21	022-0016-6	Spring, Coil - Shut Off		1

Turbine Drive



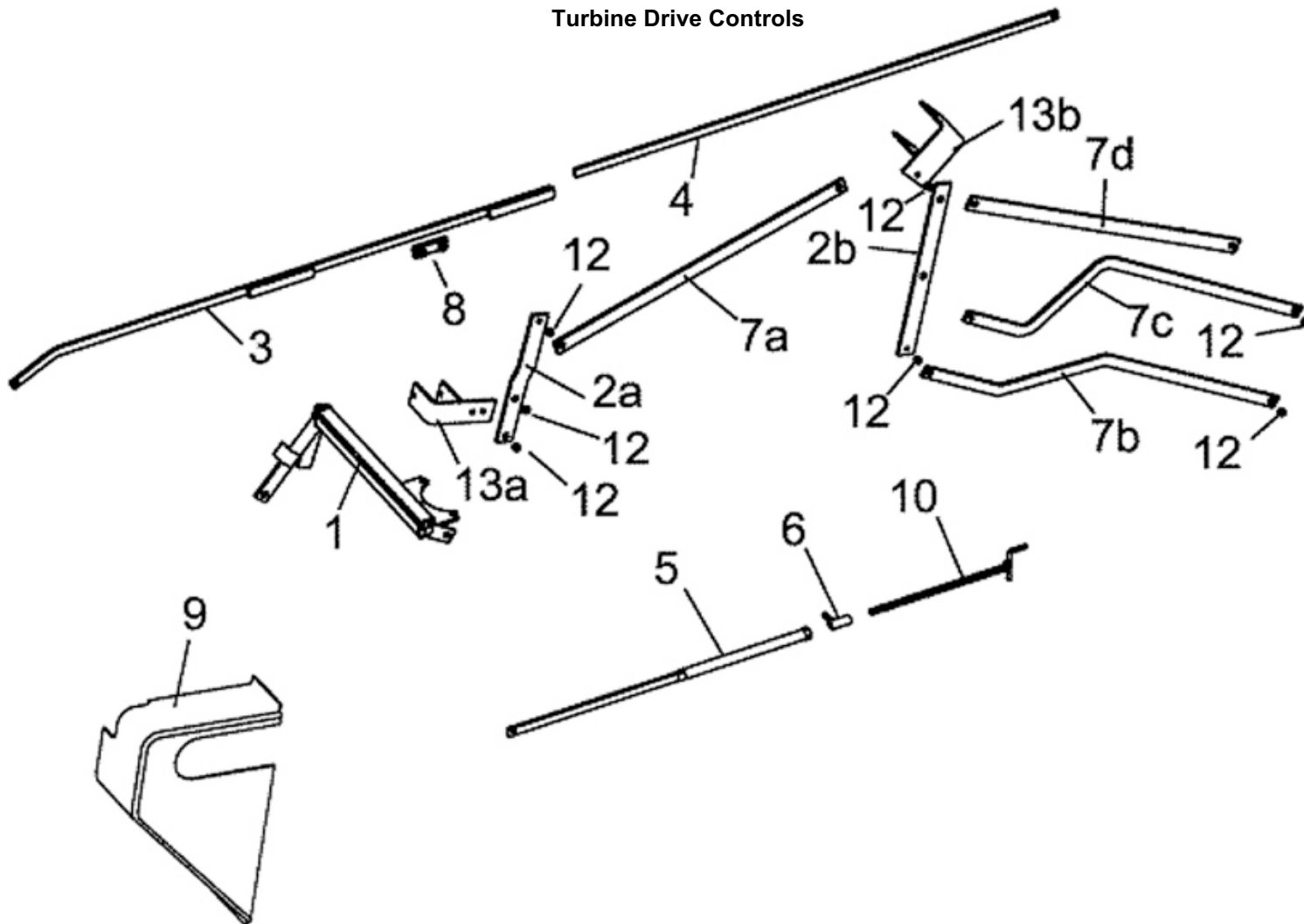
Turbine Assembly				
No.	Part Number	Description	Qty.	
1	502-0361-2	Pulley, 2 Step 3"&4" 5/8" Bore Alm	1	
2	526-6253-0	Ring, Ret Internal	1	
3	526-6254-0	Ring, Ret External	1	
4	516-4853-5	Shaft, Runner Long Key Way 6.9 OAL	1	
4b	563-4851-0	Key 3/16 X 3/4 Sq Ends (not shown)	1	
4c	584-0112-0	Key, Woodruff 3/16 X 3/4 NIALY (not shown)	1	
5	526-6329-0	Brng, Double W5205-2RS .937	1	
6	277-3355-4	Face Plate 200/400 3/4 Seal	1	
6b	550-3539-0	Stud, SS 3/8-16X2-1/8 Spec (not shown)	8	
6c	400-4980-1	Face Plate Asy,200L/400L (include #2,3,4,5,and 6)not shown	1	
6d	276-4848-3	Kit,Trubn OHL 200-L (include #2,3,4,5,6,7, and 9)not shown	1	
7	584-0111-1	Seal, Mechanical 3/4"ID Ceramic	1	
8	465-4851-0	O-Ring 7-11/16X7-1/2X3/32	1	
9a	277-3356-5	Runner, .9X 7.45 W/K.W.	1	
9b	553-4878-2	Shim Washer 1 X 5/8 X .01 (not shown) use as needed		
9c	584-0113-0	Bush, Mach 1X5/8X18Ga (not shown) use as needed		
9d	584-0114-0	Bush, Mach 1X5/8X14Ga (not shown) use as needed		
10	277-4863-1	Volute, PP200		
11	465-4848-0	O-Ring 4-5/8 X4-1/8 X1/4	1	
12	465-4668-0	O-Ring 5-1/8 X4-5/8 X1/4	2	
13	502-0477-1	Bypass Body Half W/Valve Seat (Machined)	1	
14	502-0478-1	Bypass Body Half W/O Valve Seat (Machined)	1	

Turbine Drive



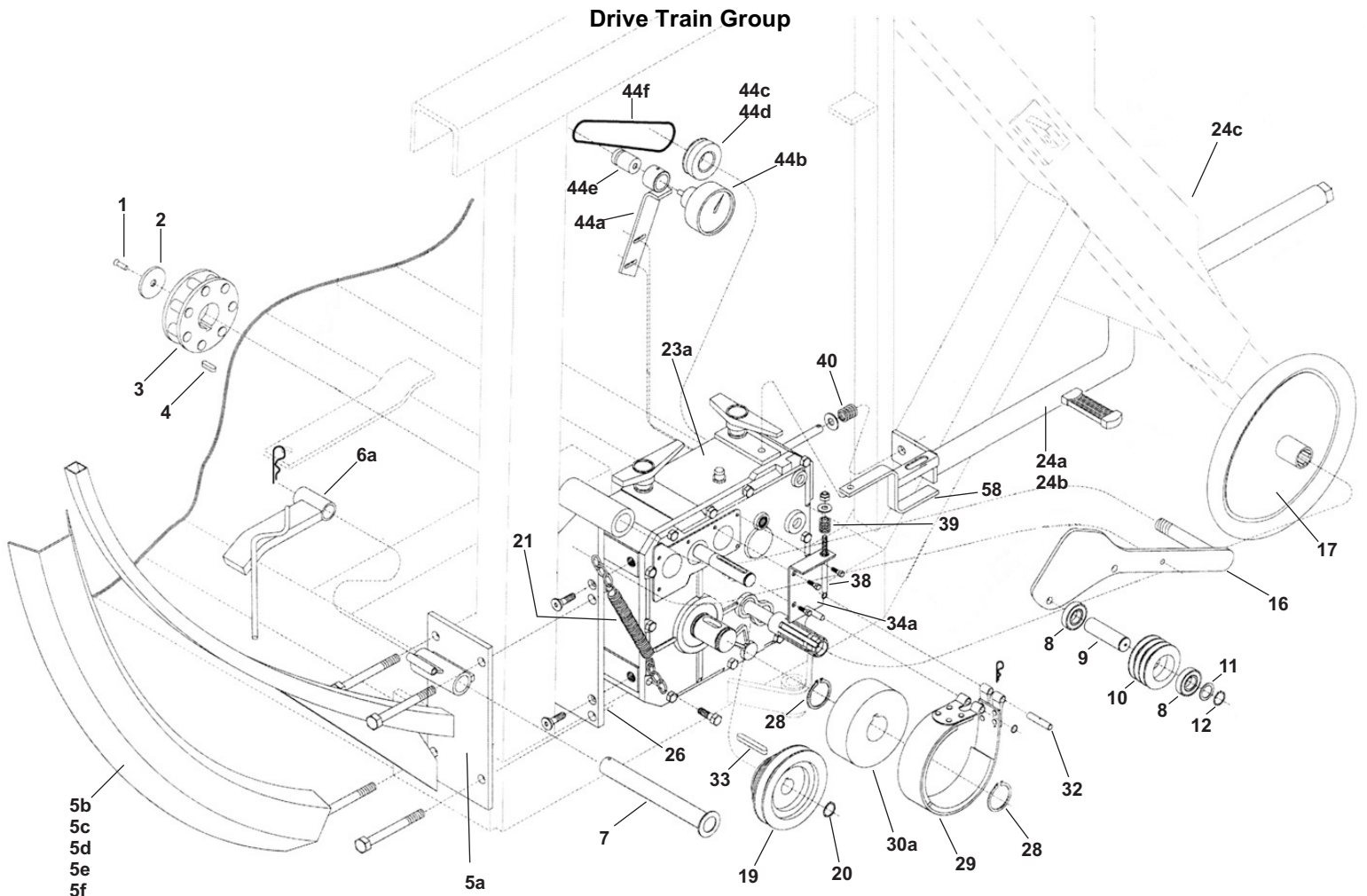
15	596-0061-0	O-Ring 113 9/16X3/4 .103		2
16	450-1633-0	SPRING TNSN 7/8X7 PLTD		1
17	502-0353-0	Valve, Plate (Butter Fly)		1
18a	502-0594-0	Lever Catch Turbine Bypass		1
18b	302-4915-0	Knob, Ball 3/8-16 Female Threads (not shown)		1
19	502-0547-0	Plate, Bypass Spring PL		1
20	502-0592-0	Bypass Shaft Turbine, 371000+		1
21	502-0615-0	Entry Fitting, AG 4-5-6-7 PL		1
22	588-0023-3	Seal Ring 4" 6-3/8 OD X 9/16		1
23	465-4849-0	O-Ring 4-1/4 X3-3/4 X1/4		1
24	502-0598-0	O-Ring, 4-1/2 X 4-1/4 X 1/8 #244		1
25	502-0602-0	Link, Bypass To Rocker Arm		1
26	586-0675-0	Gauge, Press 0-300		1

Turbine Drive Controls



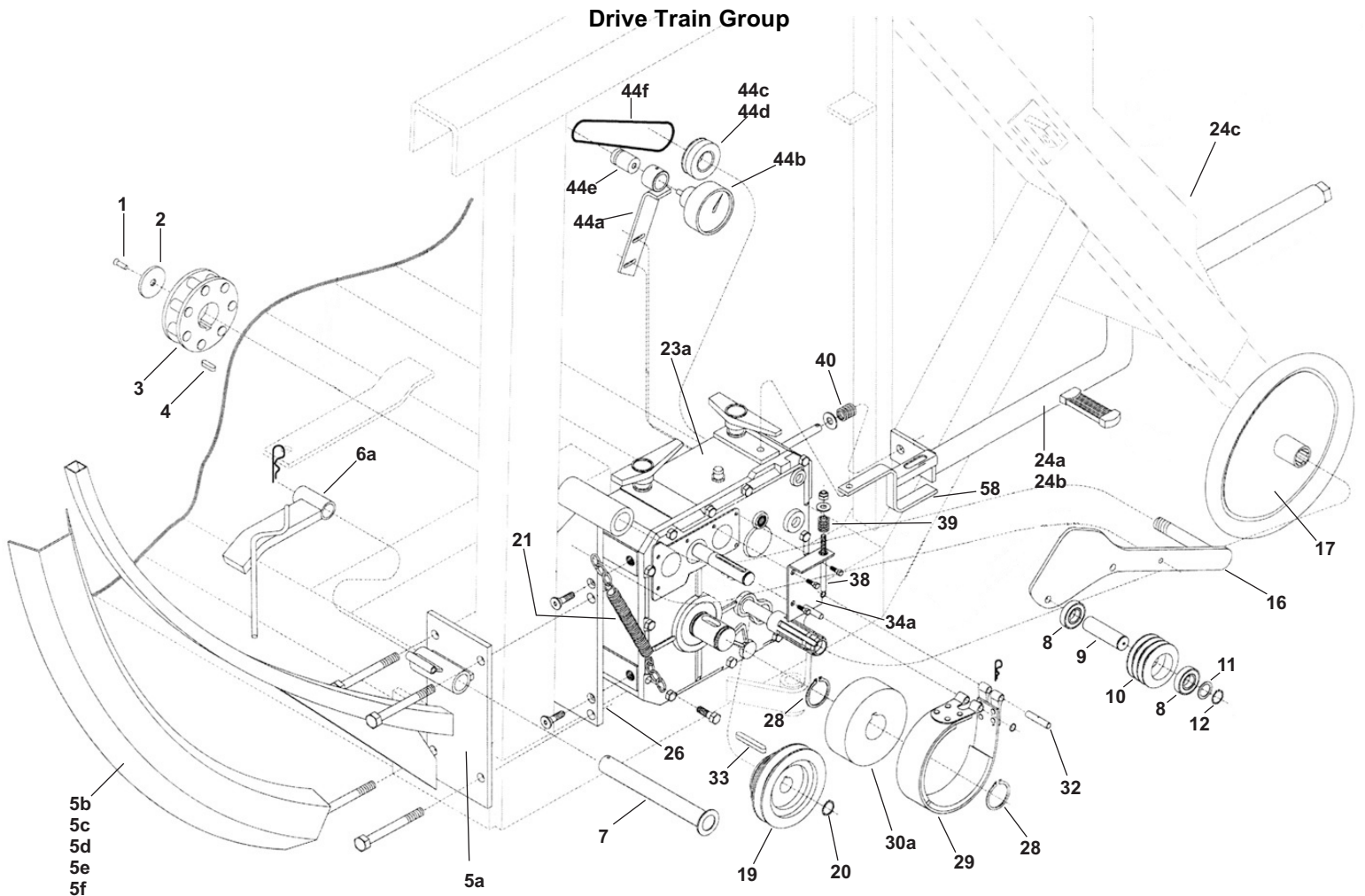
Turbine Drive Controls			
No.	Part Number	Description	Qty.
1	502-0460-0	Rocker Arm Assy. AG4/6/5/7	1
2a	502-0539-2	Comp. Speed Adjust Arm	1
2b	502-0539-0	COMPENSATOR ARM	1
3	502-0551-0	Shutoff Rod Curved	1
4a	502-0552-3	Shut Off Rod Straight AG4/AG5/5+	1
4b	502-0552-0	Shut Off Rod Straight AG6/AG7	
5a	502-0559-2	Speed Adjust Rod And Tube AG4	1
5b	502-0559-0	Speed Adjust Rod and Tube AG5/5+/6/7/7 (not as shown)	1
6	502-0567-0	Screw Swivel AG4/5/5+/6/7	1
7a	502-0607-0	Link, Compensator/Shut Off AG4	1
7b	502-0491-2	Link, Compensator/Shut Off AG/5	1
7c	502-0491-1	Link, Compensator/Shut Off AG/6	1
7d	502-0491-0	Link, Compensator/Shut Off AG/7	1
8	502-0612-0	Stop, Shut Off	1
9	503-0024-0	Shield, Belt AG4/5/5+/6/7	1
10	503-0031-0	Speed Adjust Screw AG4/5/5+/6/7 PL	1
12	512-4847-0	Bushing, Steel .56X.40X.28L	5
13s	502-0660-0	Bracket, Comp Arm. Swivel AG4	1
13b	502-0538-0	Bracket, Comp. Swivel AG7 Turbine	1
13c	502-0538-3	Bracket, Comp. Arm Swivel AG5/5+/6 PL	1

Drive Train Group



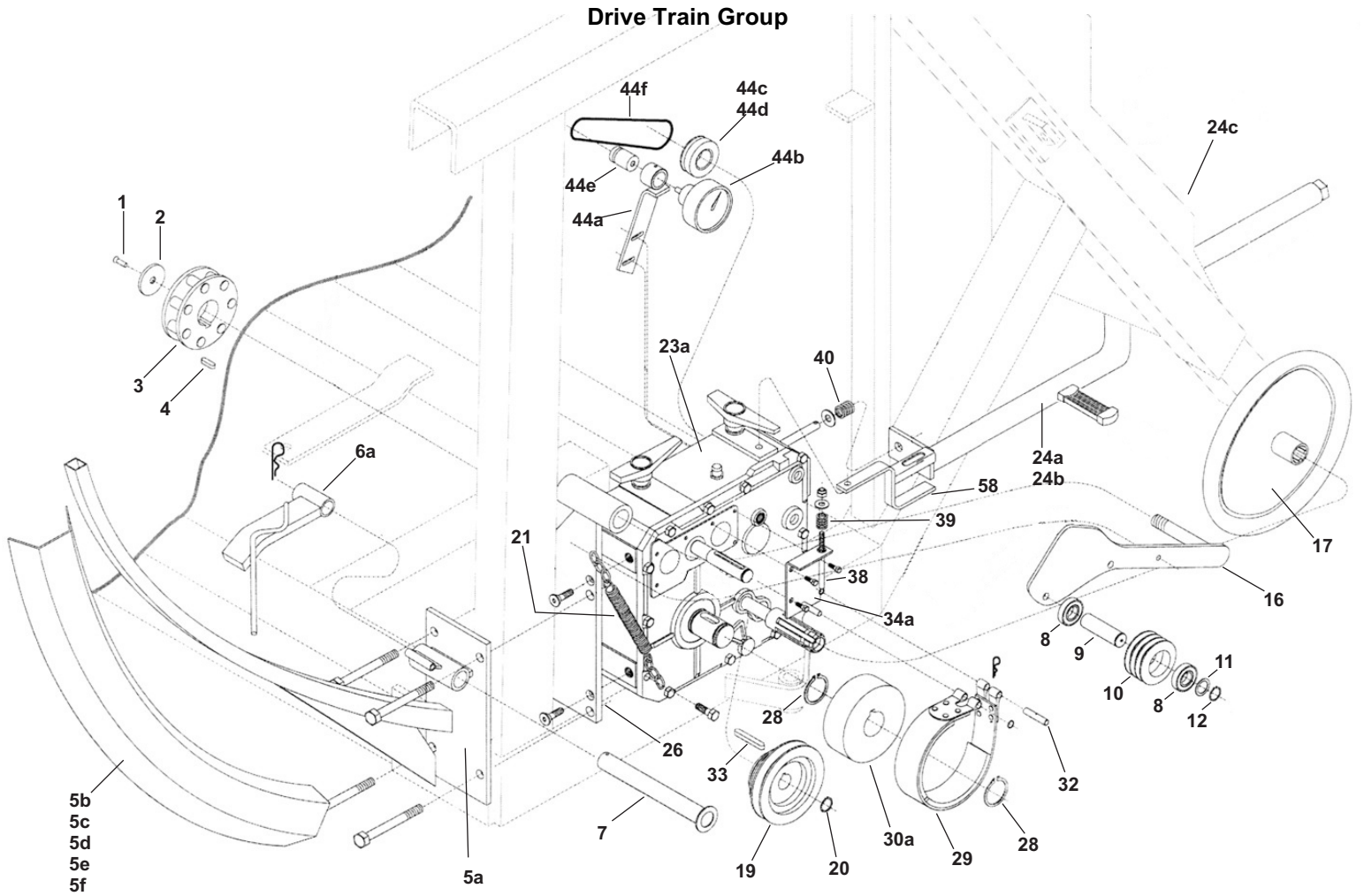
Drive Train Group			
No.	Part Number	Description	Qty.
1	550-7011-2	Screw 10mm x 35mm Allen Flat Head	1
2	022-0359-0	Washer, Special 12 x 48 x 3	1
3a	022-1116-0	Pinion Z7 (AG4)	1
3b	022-1116-1	Pinion Z7 (AG5)	1
3c	022-1116-2	Pinion Z7 (AG6)	1
3d	022-1116-3	Pinion Z7 (AR7) (Comer)	1
4	022-0805-0	Key 10mm x 8mm x 50mm	1
5a	022-1117-0	Gearbox Plate (AG4-5)	1
5b	022-1117-1	Gearbox Plate (AG6-7)	1
5c	022-1476-0	Guard (AG4)	1
5d	022-1476-1	Guard (AG5)	1
5e	022-1476-2	Guard (AG6)	1
5f	022-1476-3	Guard (AG7)	1
6a	022-1118-0	Anti-Return Pawl	1
6b	501-0547-0	Pawl, Engine Drive (Not Shown) (AG4-5-6-7)	1
7	022-0371-0	Anti-Return Pawl Shaft	1
8	022-0344-0	Bearing, 6005 2RS	2
9	022-0653-0	Pin	1
10	022-0654-0	Pulley, Belt Idler 3 Groove	1
11	022-0703-0	Spacer 1mm x 25mm x 35mm	1
12	022-0342-0	Snap Ring E25	1
16	503-0181-0	Tightener Lever	1

Drive Train Group



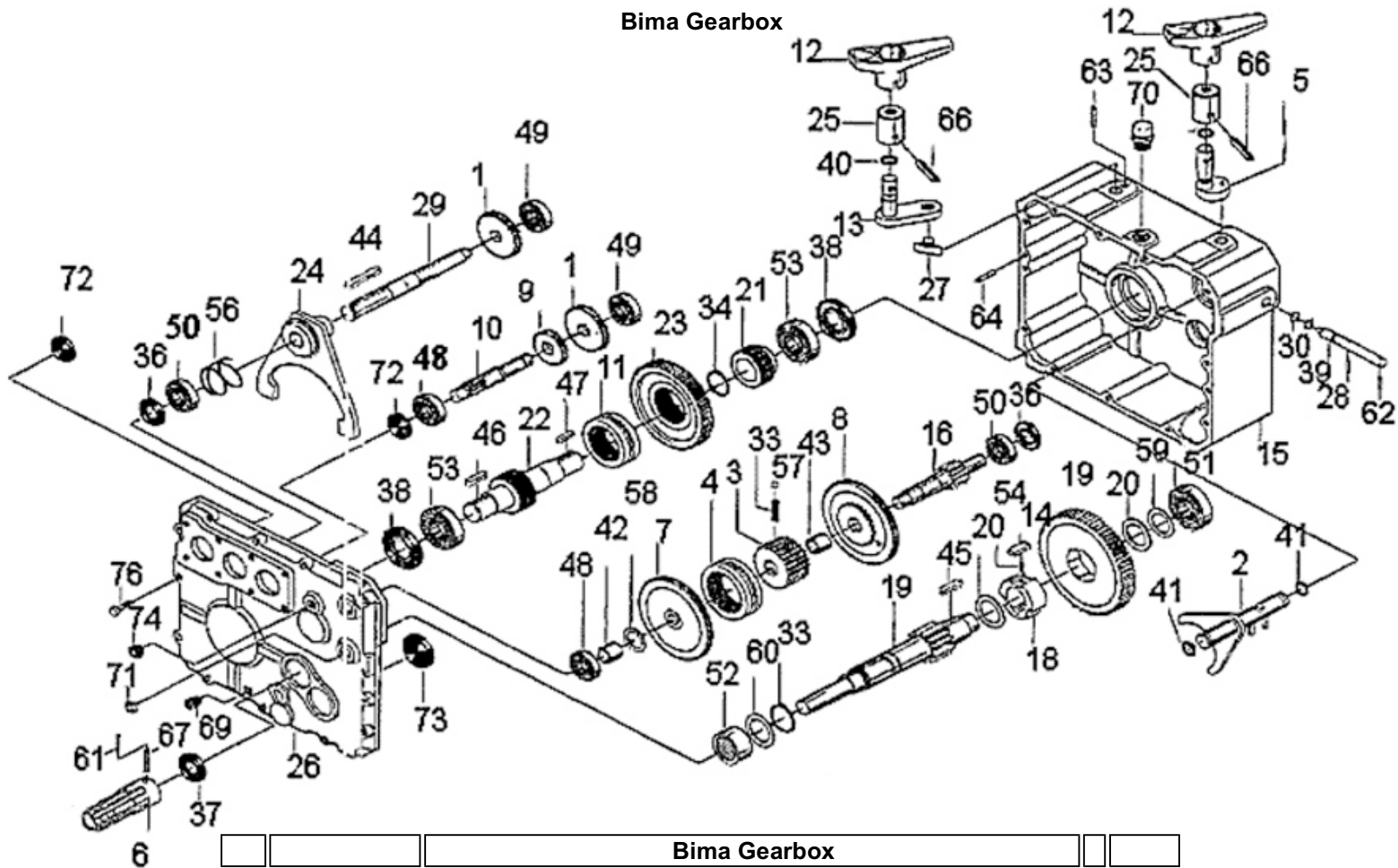
17	502-0005-0	Wheel, Manual Tube Wind	1
19	502-0546-0	Pulley, 2 Step 6.36 X 7.34 X 20mm bore	1
20	022-0168-0	Snap Ring E20	1
21	022-0746-0	Tightener Spring	1
23a	502-0190-2	Gearbox 6083.326.105 (Bima)	1
23b	502-0571-0	SHIFT LEVER 380000+ (not shown)	1
24a	022-1466-0	Stop Rod, (AG4-5)	1
24b	022-1466-1	Stop Rod, (AG6-7)	1
24c	020-0016-4	Retainer (not shown)	1
26	022-1439-0	Plate, Adapter Bima - AG4/5/6/7	1
28	022-0534-0	Snap Ring E35	2
29	022-1435-0	Band, Brake Bima - AG4/5/6/7	1
30a	022-1434-0	Drum, Brake Bima - AG4/5/6/7	1
30b	022-0551-0	Key, 6 x 50 (not shown)	1
31	022-1440-0	Snap Ring E10	1
32	022-1441-0	Pin, Brake Bima - AG4/5/6/7	1
33	022-0551-0	Key,6 X 50	1
34a	022-1437-0	Plate, Brake Bima - AG4/5/6/7	1
34b	022-1437-1	PLATE, BRAKE BIMA - ST3/4/5/6/7 ENG (not shown)	1
38	022-1438-0	Rod, Brake Bima - AG4/5/6/7	1
39	022-1443-0	Spring, Brake Bima - AG4/5/6/7	1
40	022-1839-0	Spring, B600	1

Drive Train Group



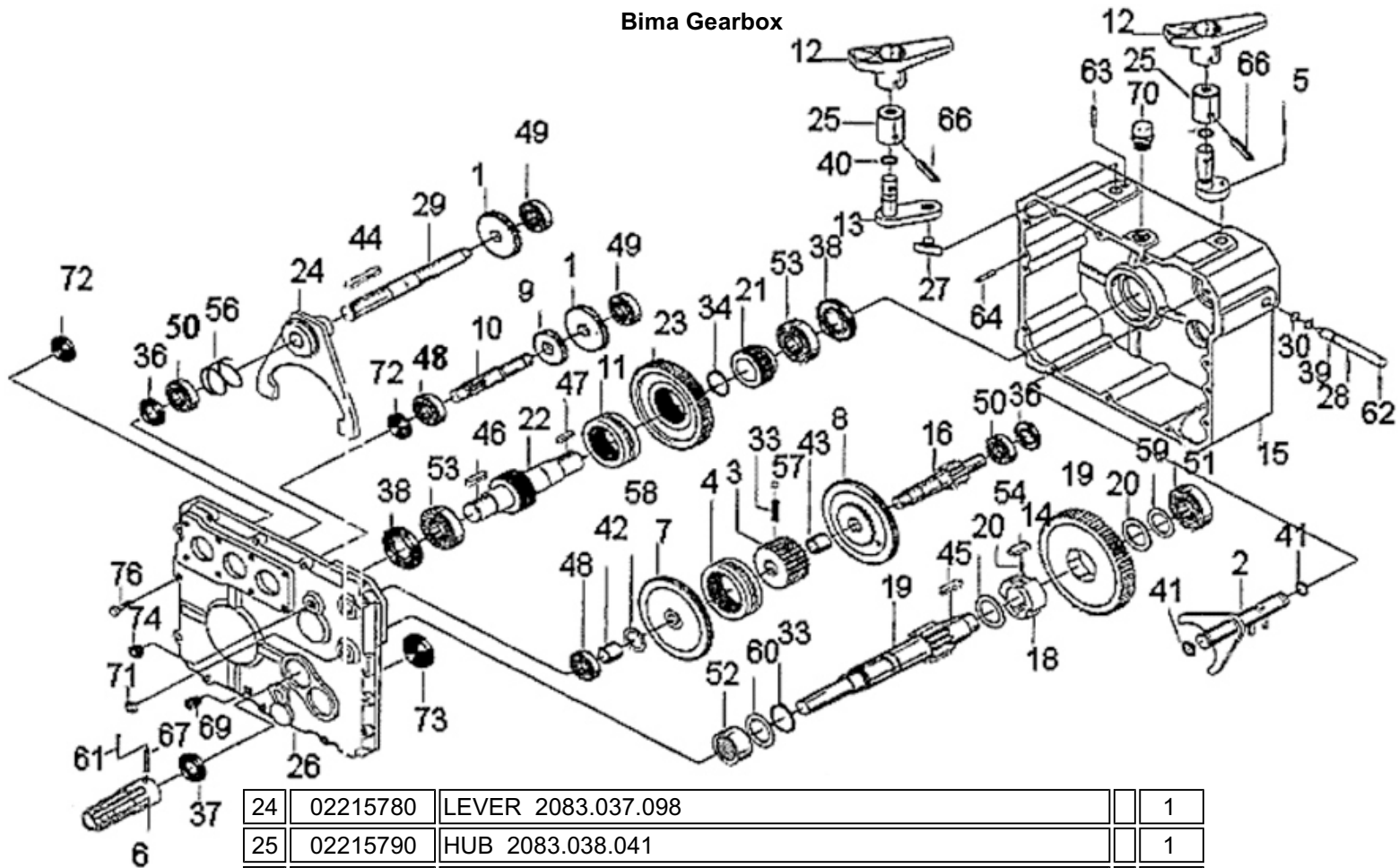
44a	022-1431-0	Bracket, Tachometer Bima-AR4/5/6/7		1
44b	502-0640-0	Tach		1
44c	022-1432-0	Pulley, Tach Bima - on gearbox (AR4/5/6)		1
44d	022-1445-1	Pulley, Tach Bima - on gearbox (AR7)		1
44e	503-0117-0	Tach. Pulley on tach (AG4-5-6-7)		1
44f	502-0739-0	Belt, Tach		1
58	022-1429-0	GUIDE, ROD BIMA - AR4/5/6/7		1

Bima Gearbox



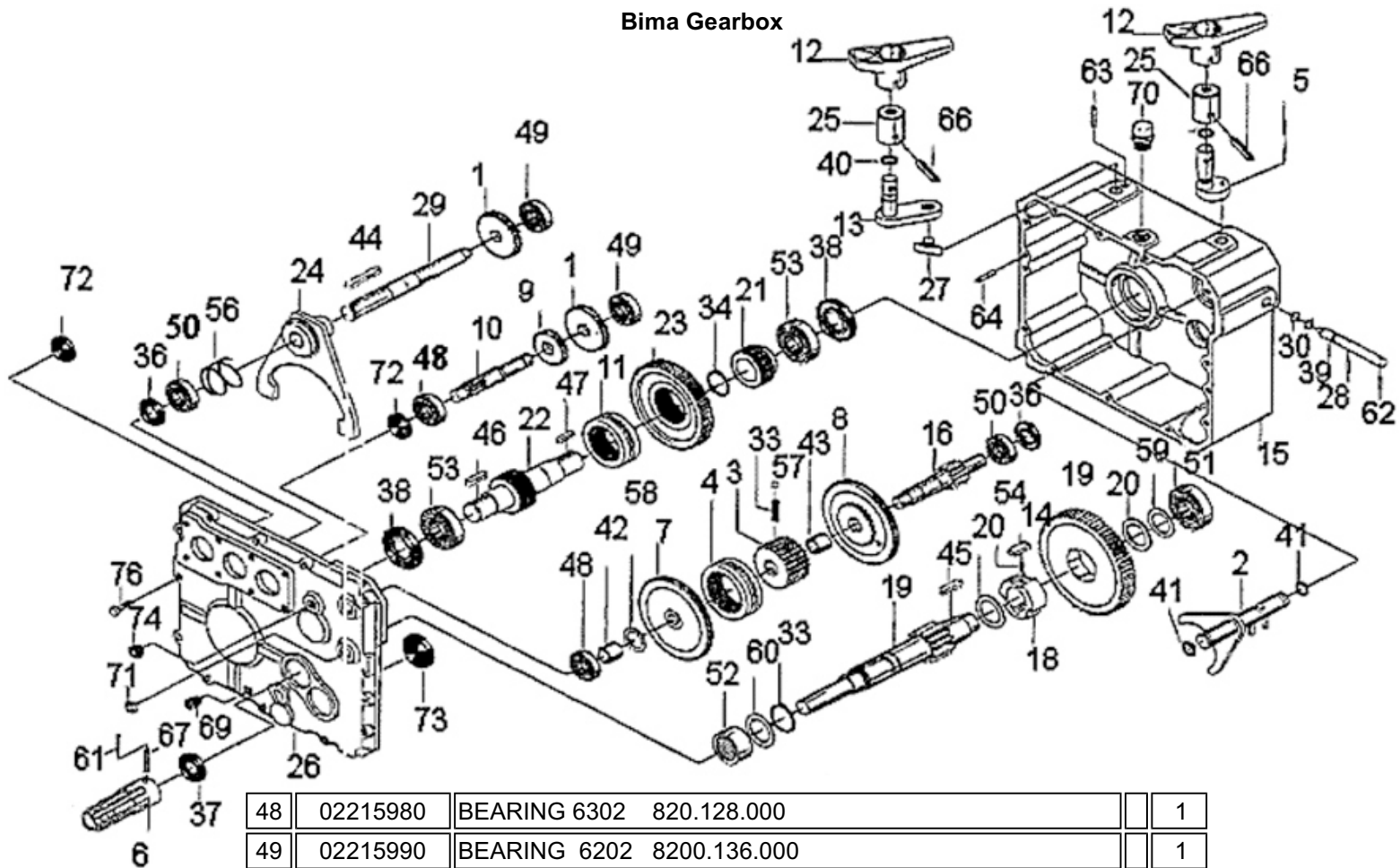
Bima Gearbox			
No.	Part Number	Description	Qty.
1	02215550	GEAR 2007.038.442	1
2	02215560	LEVER 2008.011.098	1
3	02215570	HUB 2008.032.042	1
4	02215580	HUB 2008.039.076	1
5	02215590	LEVER 2008.041.??8	1
6	02215600	SLEEVE 2008.055.041	1
7	02215610	GEAR 2008.068.426	1
8	02215620	GEAR 2008.069.426	1
9	02215630	GEAR 2008.070.442	1
10	02215640	SHAFT 2008.073.542	1
11	02215650	HUB 2018.010.077	1
12	02215660	LEVER 2022.005.032	1
13	02215670	LEVER 2022.006.098	1
14	02215680	DOG 2047.050.099	1
15	02215690	HOUSING 2083.022.101	1
16	02215700	SHAFT 2053.027.542	1
17	02215710	GEAR 2083.028.426	2
18	02215720	HUB 2083.030.442	1
19	02215730	SHAFT 2083.031.542	1
20	02215740	WASHER 2083.032.061	1
21	02215750	HUB 2083.033.042	1
22	02215760	SHAFT 2083.034.542	1
23	02215770	GEAR 2083.035.426	1

Bima Gearbox



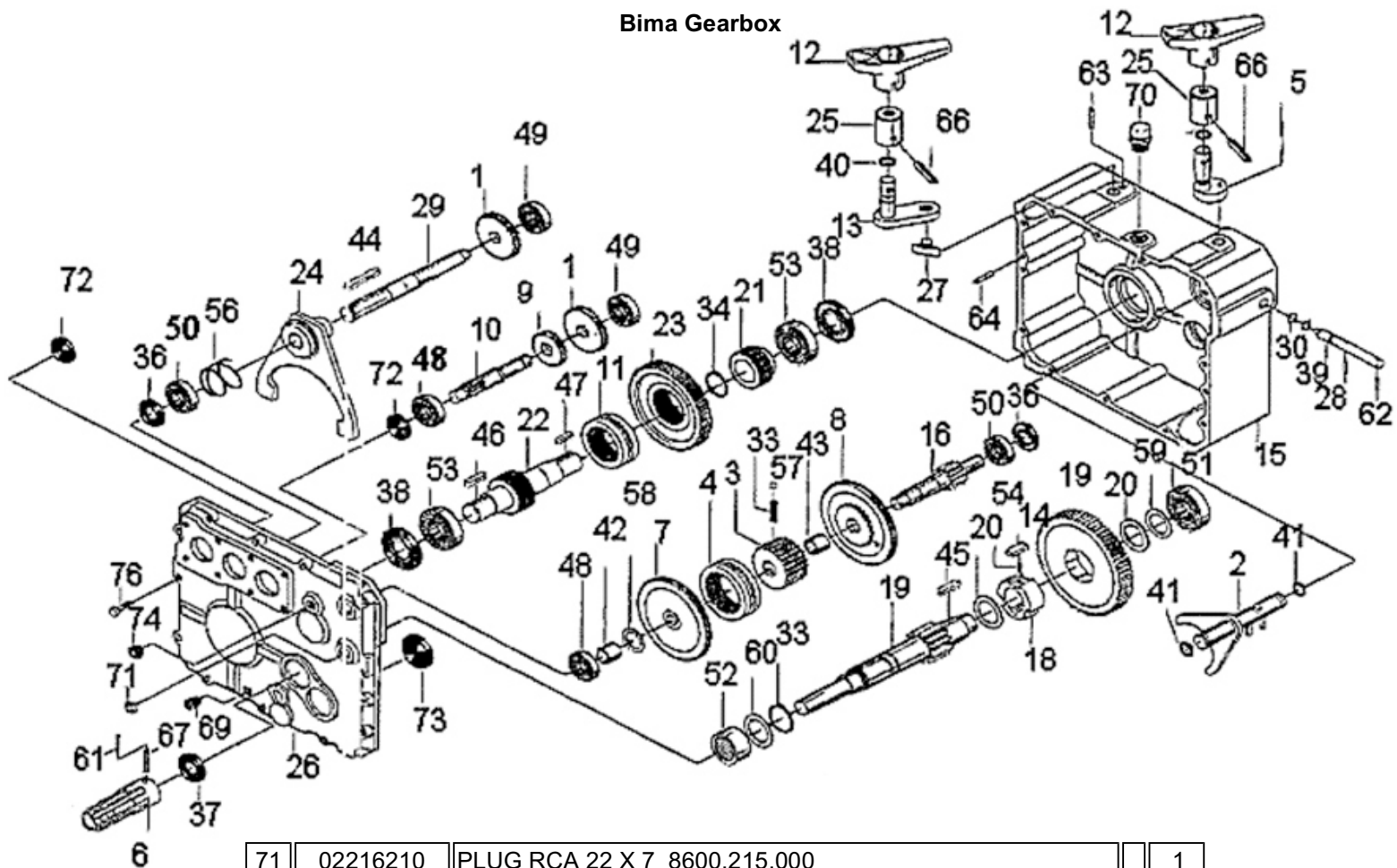
24	02215780	LEVER 2083.037.098		1
25	02215790	HUB 2083.038.041		1
26	02215800	COVER 2083.040.201		1
27	02215810	PAD 2083.041.042		1
28	02215820	PIN 2083.043.041		1
29	02215830	SHAFT 2083.056.541		1
30	02215840	SNAP RING, D14E 8001.139.000		1
31	02215860	SNAP RING, D18E 8025.185.000		1
32	02201680	SNAP RING, D20E 8025.209.000		1
33	02205341	SNAP RING, D30E 8025.302.000		1
34	02205340	SNAP RING D35E 8025.336.000		1
35	02215870	SNAP RING D80E 8025.590.000		1
36	02215880	OIL SEAL 20 X 35 X 6		1
37	50406970	OIL SEAL 30 X 40 X 7		1
38	02215890	OIL SEAL 40 X 62 X 7		1
39	02215900	OIL SEAL CR 109		1
40	02215910	OIL SEAL CR 3043		1
41	02215920	OIL SEAL CR 3050		1
42	02215930	SLEEVE 18X 20 X 15	8100.222.000	1
43	02215940	SLEEVE 20 X 23 X 15	8200.226.000	1
44	02215950	KEY 6 X 6 X 50	8125.215.000	1
45	02207880	KEY 8 X 7 X 25	8125.241.001	1
46	02215960	KEY 10 X 8 X 35	8125.312.000	1
47	02215970	KEY 10 X 8 X 50	8125.324.000	1

Bima Gearbox



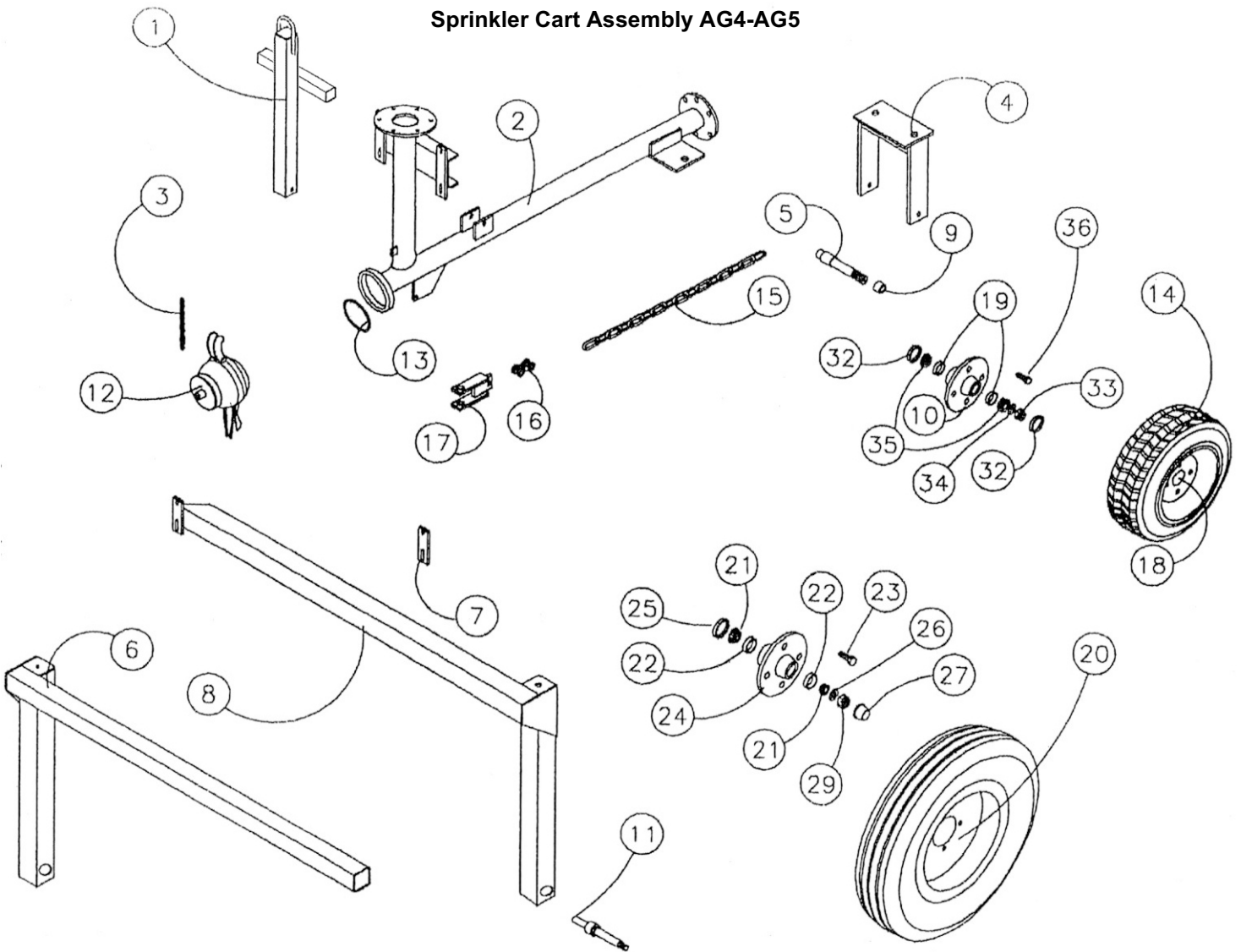
48	02215980	BEARING 6302 820.128.000		1
49	02215990	BEARING 6202 8200.136.000		1
50	02219170	BEARING 6004 8200.164.000		1
51	02216010	BEARING 6205 820.?92.000		1
52	02216020	BEARING HK3012 820.208.000		1
53	02216030	BEARING 6208 8200.264.000		1
54	02216040	SPRING 8375.050.000		1
55	02216050	SPRING 8375.080.000		1
56	02216060	SPRING 8375.690.000		1
57	02216070	BALL 8525.152.000		1
58	02216080	SLEEVE 15.2 X 24.9 X 0.8 8550.233.000		1
59	02216090	SLEEVE 25 X 35 X 1 8550.326.000		1
60	02216100	SLEEVE 30.2 X 39.8 X 1 8550.366.000		1
61	02216110	PIN 3.5 X 40 ISO8752 8575.160.000		1
62	02216120	PIN 5 X 24 ISO 8752 8575.229.000		1
63	02216130	PIN 5 X 16 UNI 1707 8575.270.000		1
64	02216140	PIN 6 X 20 UNI 1707 8575.275.000		1
65	02216150	PIN 6 X 30 ISO 8752 8575.284.000		1
66	02216160	PIN 6 X 36 XISO 8752 8575.289.000		1
67	02216170	PIN 6 X 40 ISO 8752 8575.291.000		1
68	02216180	PLUG D75 8600.120.000		1
69	02216190	PLUG 3/8" GAS 8600.144.000		1
70	02216200	PLUG 1/2" GAS 8600.184.000		1

Bima Gearbox



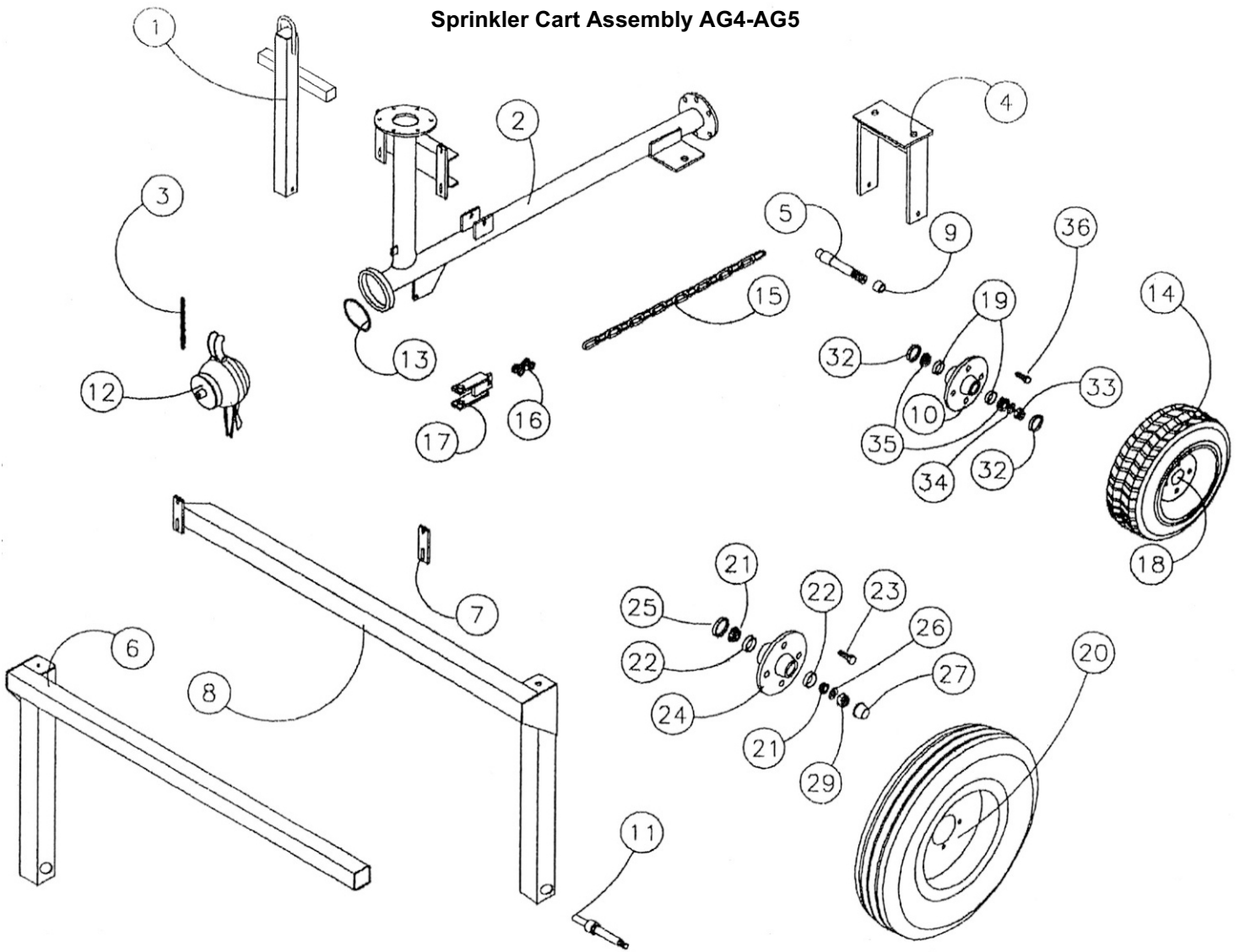
71	02216210	PLUG RCA 22 X 7 8600.215.000		1
72	02216220	PLUG RCA 35 X 8 8600.390.000		1
73	02216230	PLUG RCA 40 X 7 8600.438.000		1
74	02216240	PLUG 3/8" GAS 8625.136.000		1
75	02216250	SCREW M 5 X 16 UN 5931 8675.031.050		1
76	02216260	SCREW M 8 X 30 UNI 5739 8675.189.080		1

Sprinkler Cart Assembly AG4-AG5



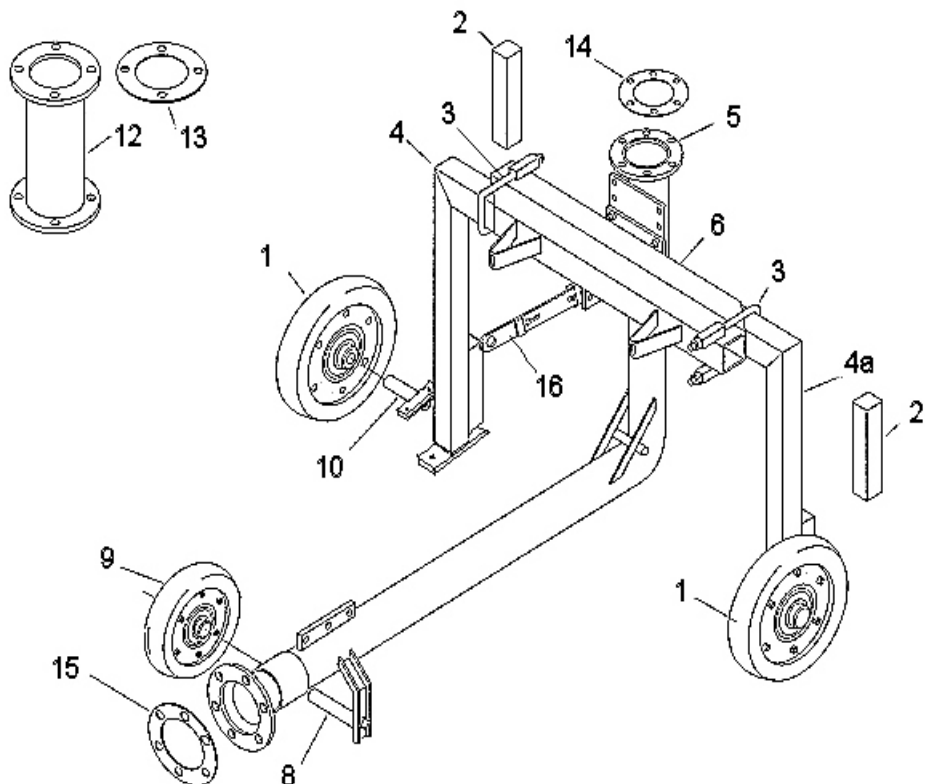
Sprinkler Cart Assembly AG4-AG5				
No.	Part Number	Description		Qty.
1	500-0371-0	Lift Bail		1
2	599-0417-0	Body, Guncart Without Shut Off Bar		1
3	850-4059-0	Chain 3/16" Proof Coil (Per Foot) (10 Links)	FT	
4	595-0003-0	Yoke, Front Guncart		1
5	060-1019-9	Axle, Front		1
6	500-0021-0	Leg, Inner 30 Cart		1
7	594-0603-0	Strap		3
8	500-0020-0	Leg, Outer 30		1
9	060-0245-0	Sleeve		1
10A	588-0495-0	Hub W/Race, Wilton 280301		1
10B	595-0382-0	Hub & Axle Assy. Complete (Not Shown)		1
11	596-0137-0	Spindle		2
12	597-0312-0	Cap, Guncart		1
13	588-0023-3	O-ring 4"		1
14A	593-0265-0	Tire, 16 X 6.5 X 8 4 Ply		1
14B	593-0265-1	Tube, Inner 16 X 3.5 X 8		1
15	850-4060-0	Chain 3/8 Proof Coil	FT.	3
16	523-5394-1	Clevis, Double		2

Sprinkler Cart Assembly AG4-AG5



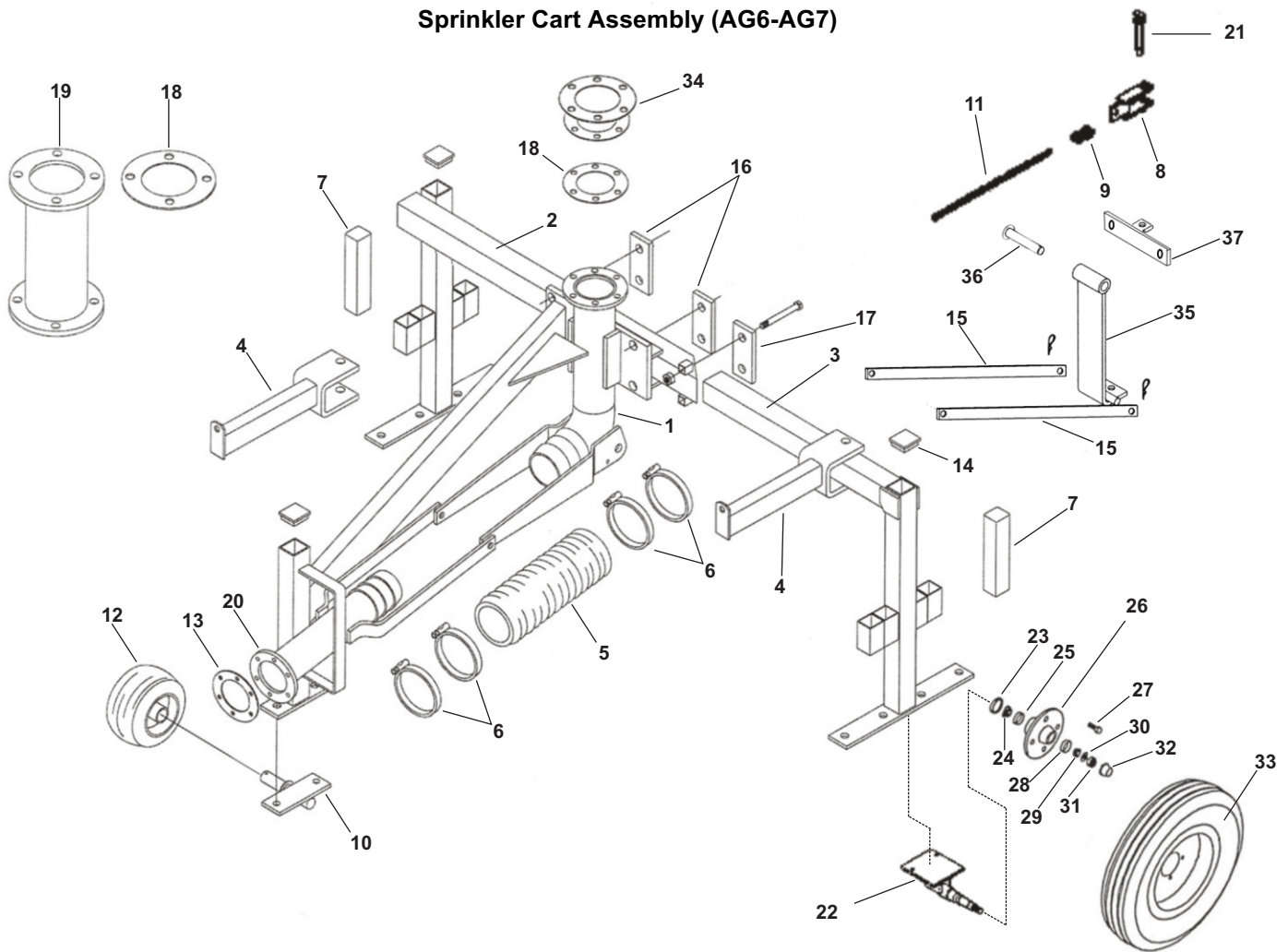
17	523-5421-0	Hitch, Chain		1
18	593-0264-0	Wheel, 8 X 5.75 4 Bolt 4 BCD		1
18B	595-0606-0	Wheel & Tire Assembly		1
19	588-0356-6	Race, L44610		2
20	586-0229-4	Wheel & Tire, 4:80 x 12 x 4 Bolt Galv.		2
21	588-0356-8	Bearing, Timken L-44649		4
22	588-0356-6	Race, L44610		4
23	588-0356-0	Bolt, Hub Wilton 913535		8
24	588-0356-4	Hub		2
25	588-0356-5	Seal, Grease Wilton 906282		2
26	588-0356-7	Washer, Spindle Wilton 913608		2
27	588-0356-1	Cap, Hub Wilton 909981		8
29	588-0356-2	Nut, Wilson 912953		2
32	588-0356-5	SealCR 12437		2
33	551-1602-0	Nut, 1" NF Slotted		1
34	588-0357-7	Washer, Wilton 913535		2
35	588-0356-3	Bearing L 44643		2
36	588-0356-0	Bolt, Lug		4
37	599-0182-0	Gun Adptr. To Nelson (not shown)		1
38	020-9920-2	Gasket (Not shown)		1
39	020-0018-5	Gasket (Not Shown)		1

Sprinkler Cart Assembly AG4



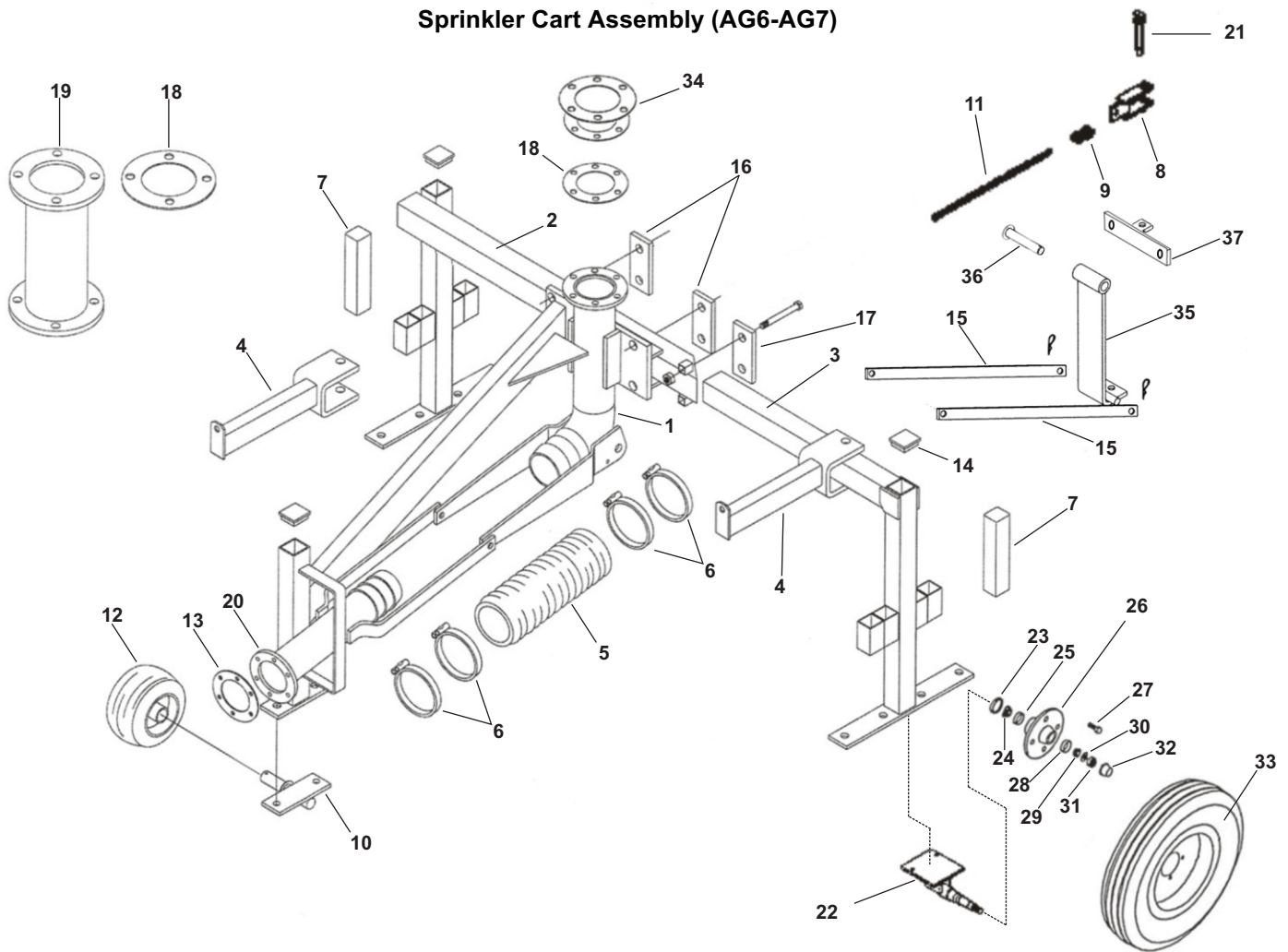
Sprinkler Cart Assembly AG4			
No.	Part Number	Description	Qty.
1	02210380	WHEEL TIRE ASSY R14-165	2
1a		Seal, 47 x 25 x 7	2
1b	02203900	BEARING, TAPERED ROLLER 30204 (NOT Shown)	2
1c	02203911	HUB, WHEEL - AA (NOT Shown)	2
1d	02203920	BEARING, TAPERED ROLLER 30205 (NOT Shown)	2
1e	02203940	NUT, SPINDLE 18MMX1.5 (NOT Shown)	2
1f	02203950	DUST CAP (NOT Shown)	2
2	02207150	Weight	2
3	02216500	U-BOLT, M16	2
4	02216510	LEG	1
4a	02216520	LEG	1
5	02216530	BODY, GUNCART	1
6	02216540	LEGS SUPPORT	1
8	02216550	AXLE, FRONT GUNCART	1
9		Wheel and tire front	1
10		Spindle	1
12	50104440	FLANGE,ADAPTOR GUN TO NELSON	1
13			1
14	02000185	GASKET,RISER 5.12 BCD 3-1/2 ID	1
15	02099202	GASKET, 5.75"BCD 4.3 ID	1

Sprinkler Cart Assembly (AG6-AG7)



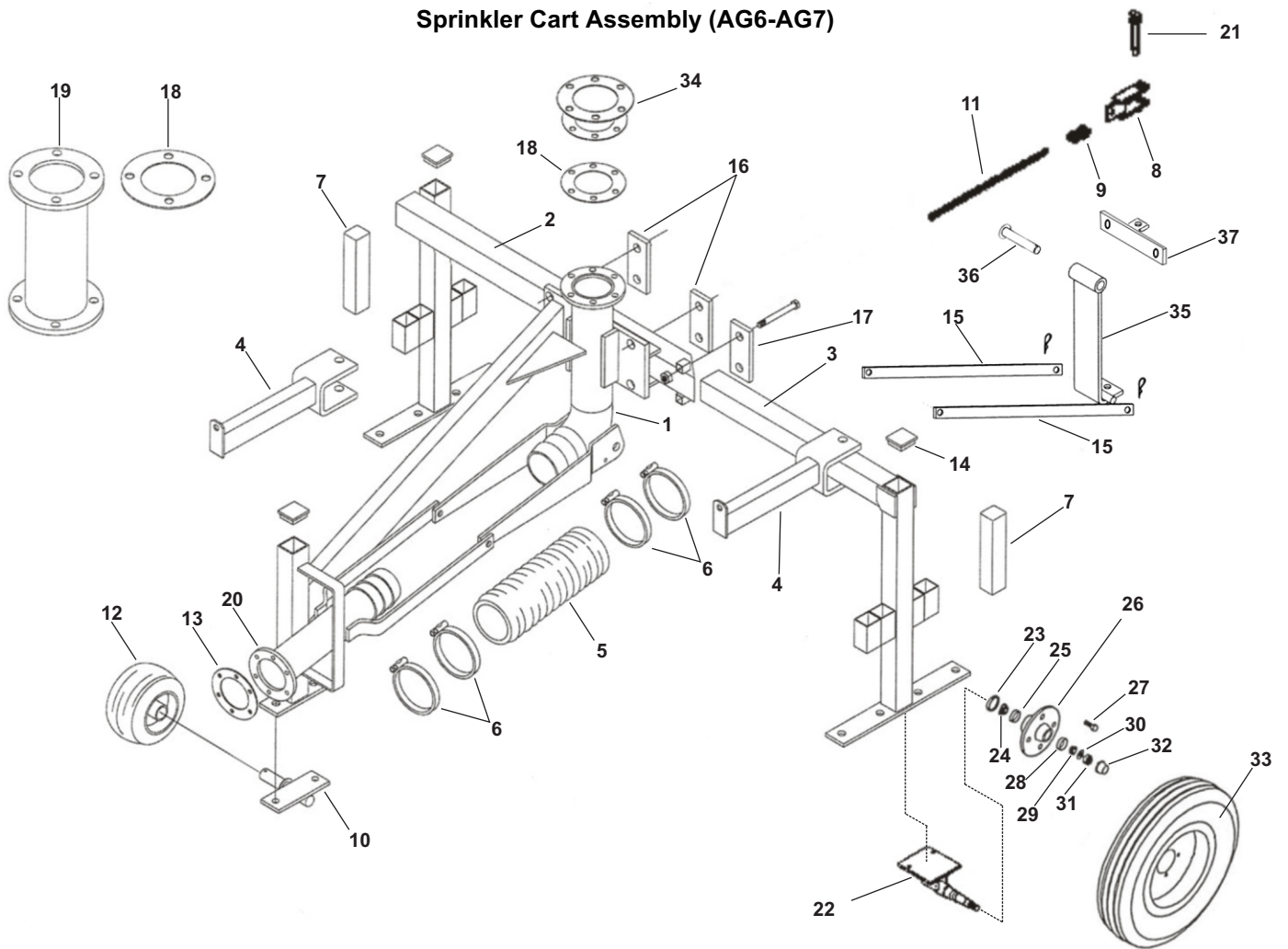
Sprinkler Cart Assembly (AG6-AG7)				
No.	Part Number	Description	Qty.	
1a	022-0983-0	Main Body Chain side 20" Pipe Height	1	
1b	022-0983-1	Main Body Chain side 24" Pipe Height	1	
1c	022-0983-2	Main Body Turbine side 20" Pipe Height	1	
1d	022-0983-3	Main Body Turbine side 24" Pipe Height	1	
2a	022-0986-0	Leg, Cart Right 34" height	1	
2b	022-0986-1	Leg, Cart Right 40.5" height	1	
3a	022-0987-0	Leg, Cart Left 34" Height	1	
3b	022-0987-1	Leg, Cart Left 40.5" Height	1	
4	022-0988-0	Lift Bail	1	
5	022-0657-0	Hose	1	
6	030-1924-0	Clamp, Supra 104-112	4	
7	022-0715-0	Weight	1	
8	523-5421-0	Hitch	1	
9	523-5423-1	Clevis, Double	1	
10	022-1221-0	Axle, Front	1	
11	850-4060-0	Chain, 3/8 Proof Coil PLTD	Ft. 1.5	
12a	022-0993-0	Wheel	1	
12b	022-1478-0	Bearing, 6205 2RS	2	
12c	022-1479-0	SPACER, CART FRONT AXLE - A-SERIES	2	
12d	022-2021-0	Dust Shield (Not Shown)	1	

Sprinkler Cart Assembly (AG6-AG7)



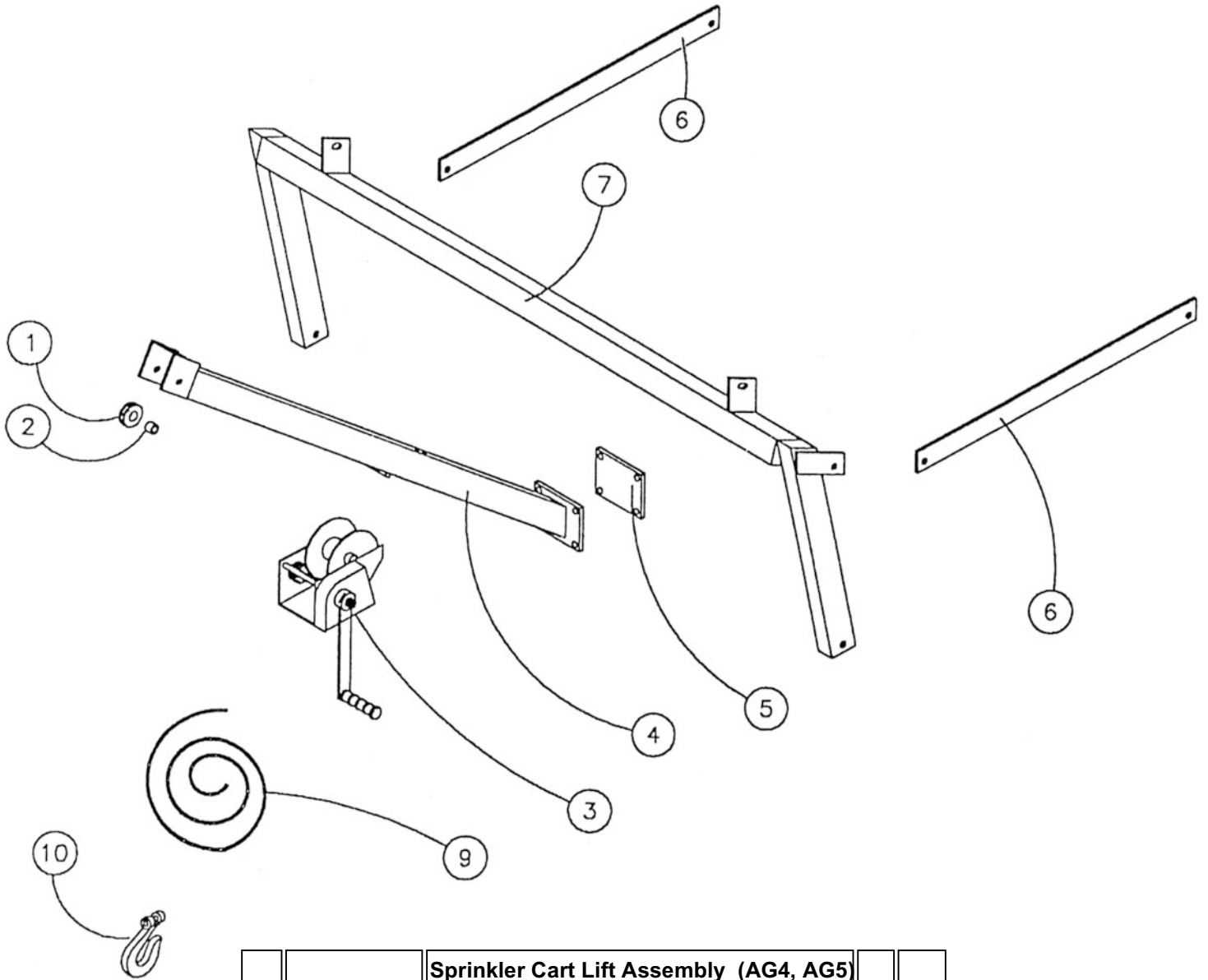
13	020-9920-2	Gasket		2
14	022-0995-0	Cap Plug 7mm x 70mm		2
15	502-0114-0	Arm Guncart Pull		1
16	022-0997-0	Plate, Clamp Large		2
17	022-0998-0	Plate, Clamp Small		1
18	020-0018-5	Gasket		1
19	584-0643-0	Extension		1
20	022-1001-0	Gun Cart Body Front		1
21	558-3281-0	Pin, Hitch 3/4X3 T Head		1
22a	500-0282-0	Spindle Rear Guncart for Tire,6.70X15 4 PLY		2
22b	?	Spindle Rear Guncart for 165/70 R14- 81T tire		2
23a	588-0356-5	Seal, Grease Wilton 906282 for Tire,6.70X15 4 PLY		2
23b	?	Seal, Grease for 165/70 R14- 81T tire		2
24a	515-0939-0	Bearing, Timken LM-67048 for Tire,6.70X15 4 PLY		2
24b	022-0390-0	BEARING, TAPERED ROLLER 30204 for 165/70 R14- 81Ttire		2
25	510-0940-0	RACE,LM67010 for Tire,6.70X15 4 PLY		2
26a	588-0656-4	Hub for Tire,6.70X15 4 PLY		2
26b	022-0391-1	HUB, WHEEL for 165/70 R14- 81T tire		2
27a	588-0356-0	Lug Bolt Wilton 913535 for Tire,6.70X15 4 PLY		8
27b	022-0398-0	Nut, Lug for 165/70 R14- 81T tire		8

Sprinkler Cart Assembly (AG6-AG7)



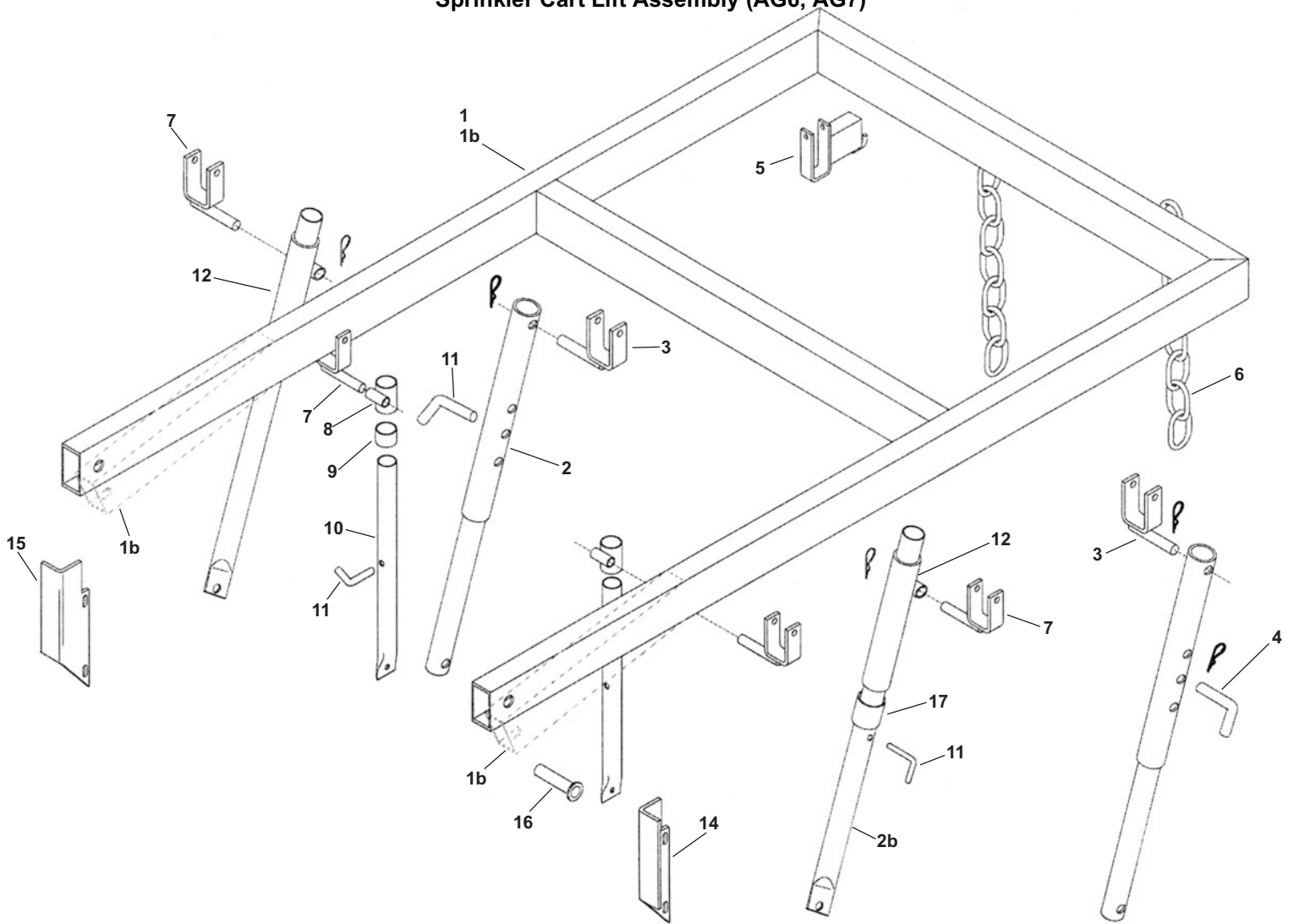
28	510-0941-0	RACE, OUTER LM11910 for Tire,6.70X15 4 PLY		2
29a	515-0942-0	BEARING, TIMKEN LM11949 for Tire,6.70X15 4 PLY		2
29b	022-0392-0	BEARING, TAPERED ROLLER 30205 for 165/70 R14- 81Ttire		2
30	588-0356-7	Washer, Spindle Wilton 913608 for Tire,6.70X15 4PLY		2
31a	588-0356-2	Nut Wilton 912953 for Tire,6.70X15 4 PLY		2
31b	022-0394-0	NUT, SPINDLE 18MMX1.5 for 165/70 R14- 81T tre		2
32a	588-0356-1	Cap, Hub Wilton 909981 for Tire,6.70X15 4 PLY		2
32b	02203950	CAP,HUB for 165/70 R14- 81T tire		2
33a	227-0256-0	Tire,6.70X15 4 PLY		2
33b	588-0254-1	Wheel, 15 X 4-1/2 4Bolt 5BCD GLV for Tire,6.70X15 4 PLY		2
33c	227-0256-1	Tube, Inner 5:90 & 6.70X15 for Tire,6.70X15 4 PLY		2
33d	502-0174-0	Wheel, comp. (#33a,33b,33c) for Tire,6.70X15 4 FLY		2
33e	022-1038-0	Wheel and tire Assy. R14-165		2
34	599-0182-0	Gun Adptr. To Nelson		1
35	502-0114-0	Drawbar Ext.		1
36	022-0894-0	Pin, 25mm X 170mm		1
37	501-0268-0	Bracket, Chain, STD1 Guncart		1

Sprinkler Cart Lift Assembly (AG4, AG5)



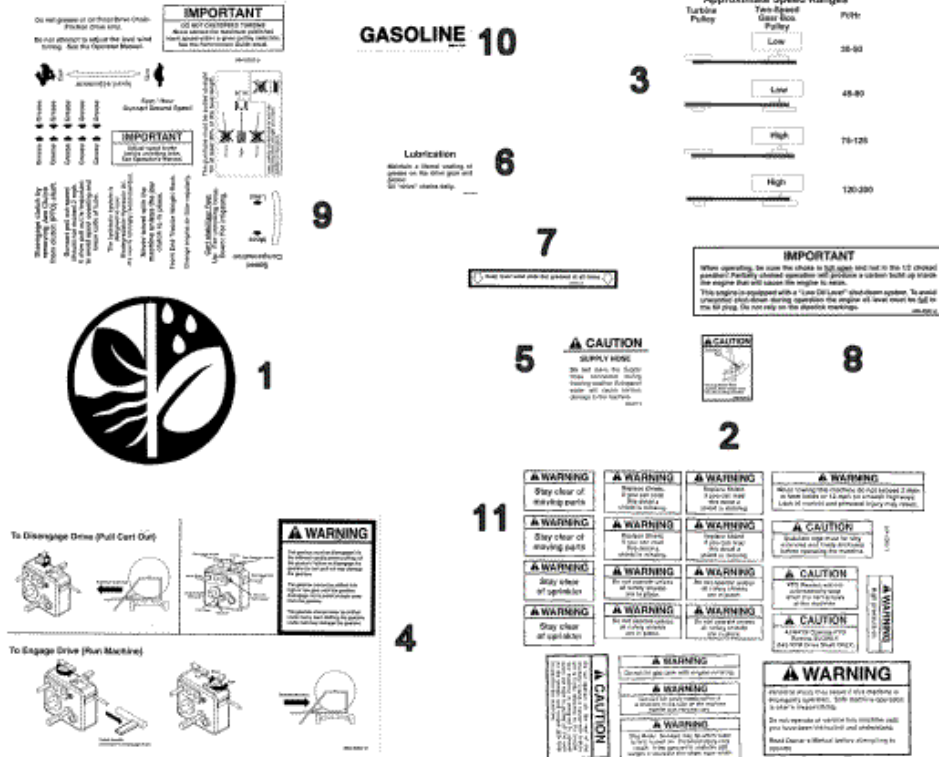
Sprinkler Cart Lift Assembly (AG4, AG5)				
No.	Part Number	Description		Qty.
1	402-4906-0	Pulley, 2x 17.32 WRP		1
2	325-5191-0	Bushing, .56 x .843 x .62 long		1
3	400-4855-1	Winch, Fulton K 1550		1
4	500-0031-0	Boom		1
5	500-0028-0	Clamp, Plate		1
6	501-0109-0	Brace, Lift Boom		2
7a	501-0110-0	Boom Lift (AR4)		1
7b	501-0237-0	Boom Lift (AR5)		1
9	750-4844-0	Cable, 1/4 Galv 7 x 19	Ft.	10
10	523-5565-0	Hook		1

Sprinkler Cart Lift Assembly (AG6, AG7)

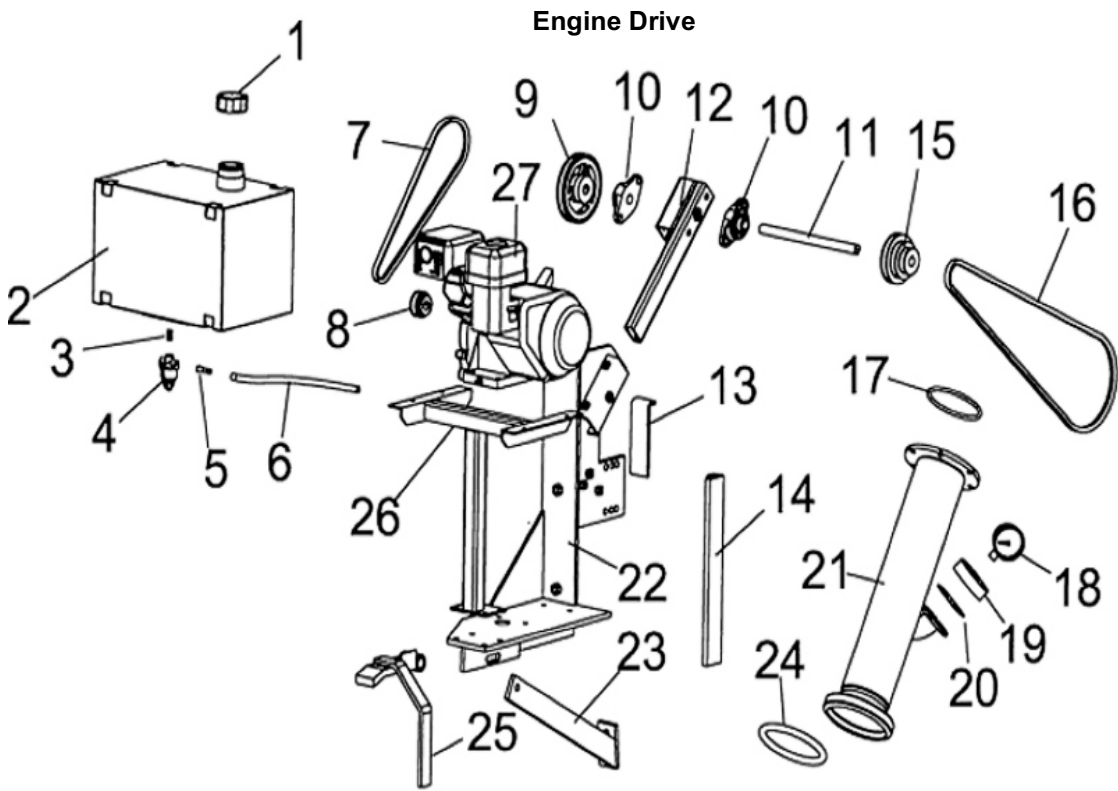


Sprinkler Cart Lift Assembly (AG6, AG7)				
No.	Part Number	Description	UoM	Qty.
1a	022-1204-0	Guncart Lift (AG6)		1
1b	022-1204-1	Guncart Lift (AG7)		1
2a	022-1205-0	Brace (AG6)		2
2b	022-1205-1	Brace (AG7)		2
3	022-0919-0	Frame Support		2
4	022-0920-0	Pin		2
5	022-1206-0	Hanger		2
6	022-0922-0	Chain	Ft.	3.32
7a	022-0923-0	Fork (AG6)		2
7b		Fork (AG7)		2
8	022-1216-0	Fork Brace Holder (AG6)		2
9	022-1217-0	Spacer (AG6)		2
10	022-1218-0	Front Brace (AG6)		2
11	022-1219-0	Pin		2
12	022-1393-0	Support Guide (AG7)		2
14	022-1395-0	Stop, Rod Turbine Side (AG7)		1
15	022-1394-0	Stop, Rod Chain Side (AG7)		1
16	022-1396-0	Pin		2

Decals

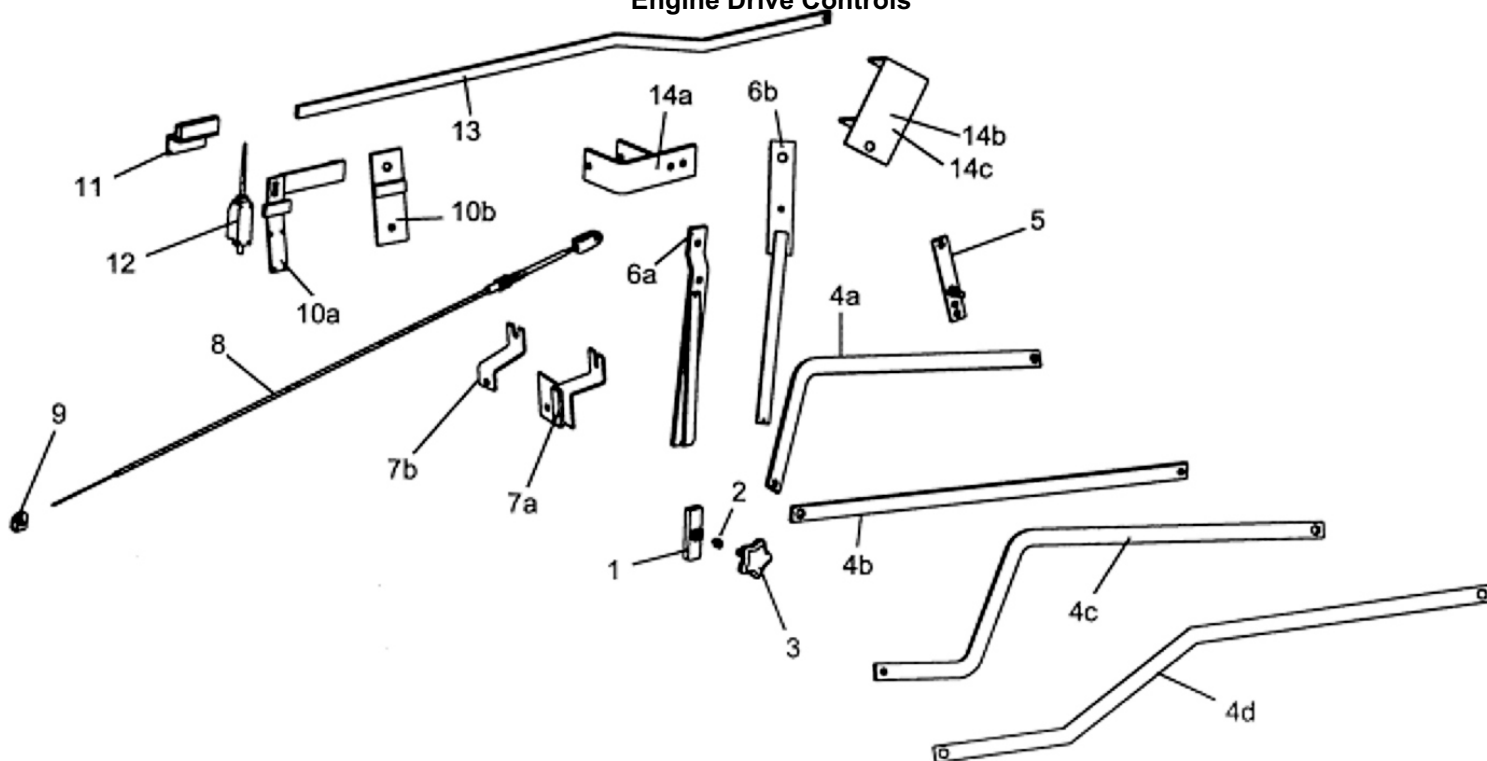


Decals			
No.	Part Number	Description	Qty.
1	585-0299-3	Decal, 10" Round Logo	1
2	595-0275-2	Decal, Anit-Return Pawl	1
3a	503-0090-0	Decal, Speed Ranges Engine AG (not shown)	1
3b	503-0090-1	Decal, Speed Ranges Turbine AG	1
4	595-0275-1	Decal, PTO Rewind	1
5	596-0017-0	Decal, Supply Hose	1
6	596-0428-0	Decal, Lubrication	1
7	590-0013-0	Decal, Grease Levelwind	1
9	594-0565-0	Decal, Instructions	1
11	594-0565-1	Decal, Warning Sheet	1
	501-0254-0	Decal, Performance Chart (Not Shown)	1
	*****	Decals for Engine Drives Only	
10	590-0113-0	Decal, Gasoline	1
8	595-0501-0	Decal, Important Choke Full Open	1
3	596-0426-0	Decal, Change Oil	1



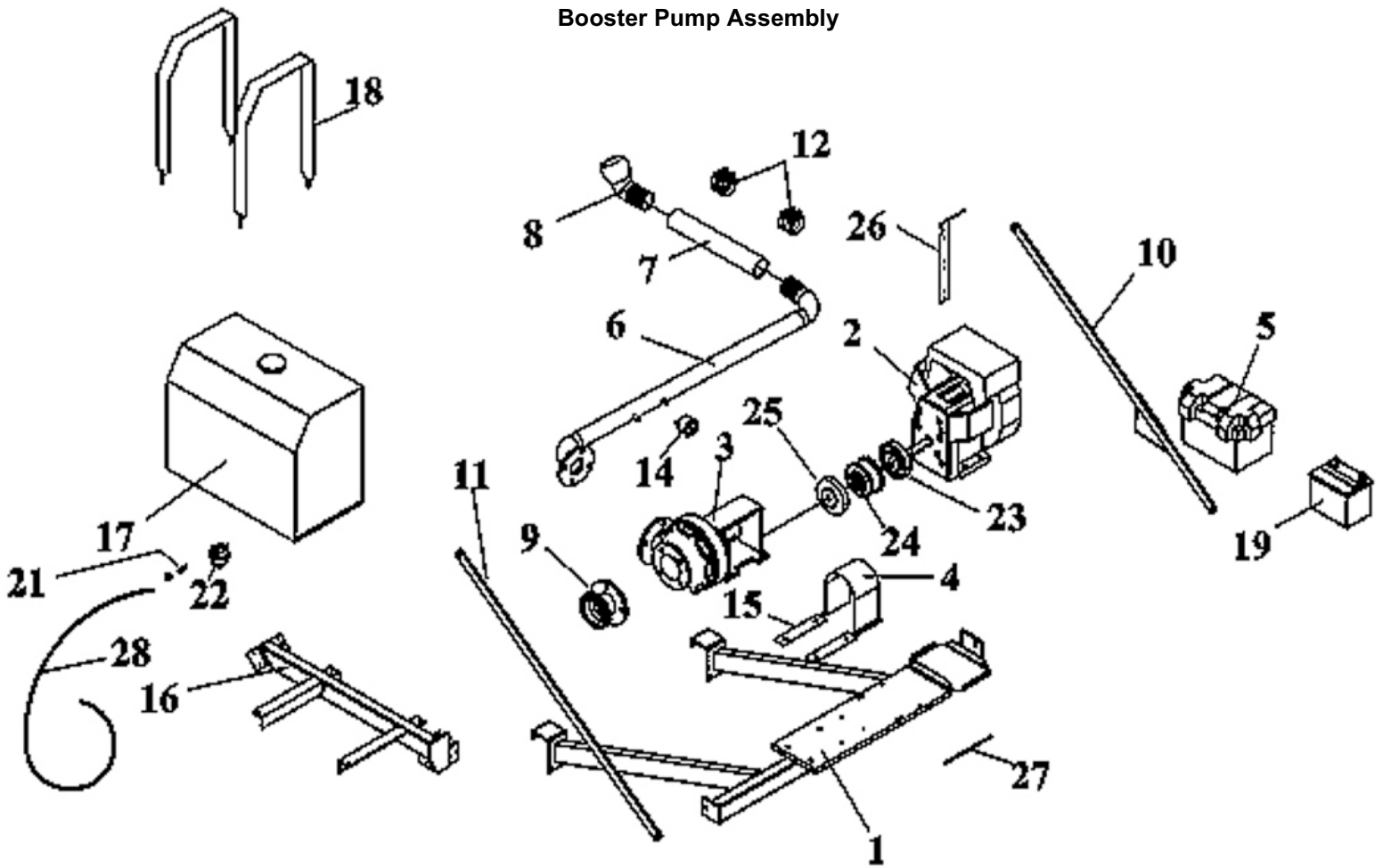
Engine Drive				
No.	Part Number	Description		Qty.
1	502-0710-9	2" Kelch Filler Cap		1
2	502-0710-0	Tank, Gas 6 Gal Plastic With Bung		1
3	525-0898-1	Nipple, Close Brass 1/8" SCH 40		1
4	277-4919-0	Filter, Glass Bowl Fuel		1
5	525-4876-0	Barb, Hose Brass 1/8 NPT X 1/4		1
6	584-0695-1	Hose, Gas 1/4 X 27/64	Ft.	1
7	502-0176-0	Belt, 4L56 Or A54		1
8	599-0293-1	Pulley, 2" X 3/4 Bore Cast With Hub		1
9	502-0737-0	Pulley, 5.45 OD X 3/4 Bore Cast		1
10	599-0338-0	Bearing, 2 Hole 3/4 B Cast		2
11	502-0380-0	Jackshaft, AR4-5-6-7 Engine IG		1
12	502-0379-0	Jackshaft, Mount. AR4-5-6-7 Engine IG		1
13	502-0264-0	Shim, For Engine Mt. (used on AG 4 only)		1
14	502-0188-0	Spacer, Shim For AR4 Engine (used on AG 4 only)		1
15	502-0361-1	Pulley, 2 Step 3"&4" 3/4" Bore Alm.		1
16	526-5190-4	Belt, 4L64 OR A62 (AG7)		1
17	465-4668-0	O-Ring 5-1/8 X4-5/8 X1/4		1
18	586-0675-0	Gauge, Press 0-300		1
19	586-0690-1	Body, Gauge Protector-Top		1
20	587-0046-0	Diaphragm, Gauge Protector		1
21	502-0713-0	Entry Pipe, AG4-5-6-7 Engine		1
22	502-0372-0	Engine ,Mt. AR4-5-6-7 IG		1
23	501-0560-0	Brace		1
24	588-0023-3	Seal Ring 4" 6-3/8 OD X 9/16		1
25	501-0547-0	Pawl, AG4-5-6-7 Engine		1
26	502-0697-0	Mt, Gas Tank AG4-5-6-7 IG		1
27	584-0701-7	Engine, Honda 4HP Keyed Shaft		1

Engine Drive Controls



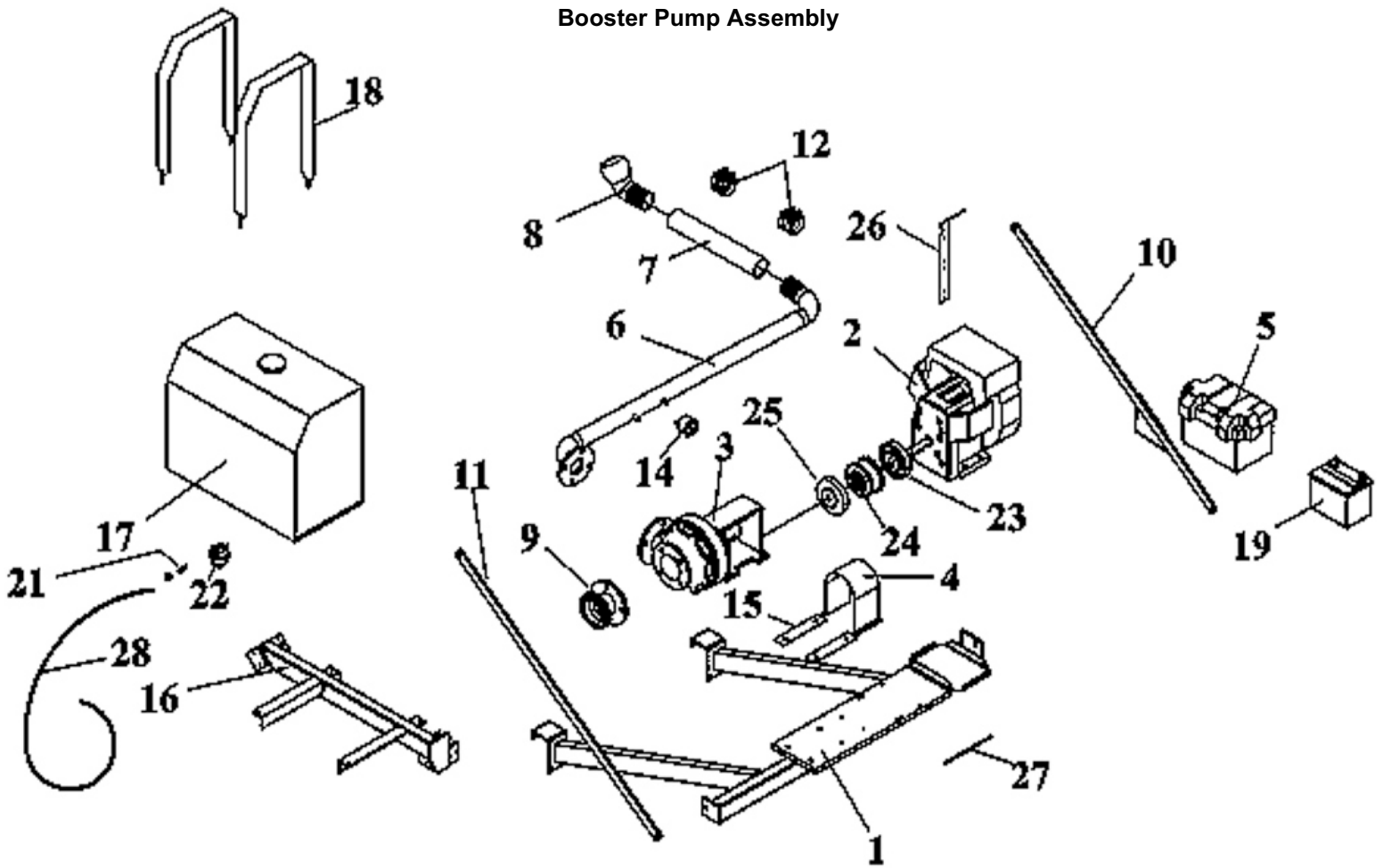
Engine Drive Controls				
No.	Part Number	Description	Qty.	
1	502-0654-0	Slide, Speed Adjust	1	
2	502-0685-0	Spring, .5 OD x .5" long x .047" wire	1	
3	501-0005-0	Knob, Star 3/8-16 x 1" male	1	
4a	502-0770-0	Link Comp Rod AG4 (Engine Drive) KR	1	
4b	502-0491-2	Link, Comp. Rod AG/5 PL	1	
4c	502-0491-1	Link, Comp. Rod AG6 KR	1	
4d	502-0491-0	Link, Comp. Rod AG/7 PL	1	
5	502-0772-0	Comp. Rod Plate E4,5,6,7 PL	1	
6a	502-0786-0	Throttle Control Arm AG4 PL	1	
6b	502-0762-1	Throttle Control Arm AG5,6,7 PL	1	
7a	502-0782-0	Bracket, Throttle Cable AG4 PL	1	
7b	502-0755-0	Bracket, Throttle Cable AG7 PL	1	
8a	502-0439-4	Throttle Cable AG4 Engine Drive	1	
8b	502-0439-3	Throttle Cable AR5 Engine Drive	1	
8c	502-0439-1	Throttle Cable AG6,7 Engine Drive	1	
9	502-0627-0	Anchor Throttle Cable Honda	1	
10a	502-0778-0	Switch Bracket AG 4,5,6,7	1	
10b	503-0027-0	Bracket. Ext. AG6-7	1	
11	502-0743-0	Switch Ramp	1	
12	501-0573-0	Switch Wobble	1	
13a	502-0773-0	Shut Off Rod AG4 & AG5	1	
13b	502-0773-2	Shut Off Rod AG6 PL	1	
13c	502-0773-3	Shut Off Rod AG7 PL	1	
14a	502-0660-0	Bracket, Comp. Arm AG4	1	
14b	502-0538-0	Bracket, Comp. Swivel AG7	1	
14c	502-0538-3	Bracket, Comp. Arm Swivel AG5,6	1	

Booster Pump Assembly

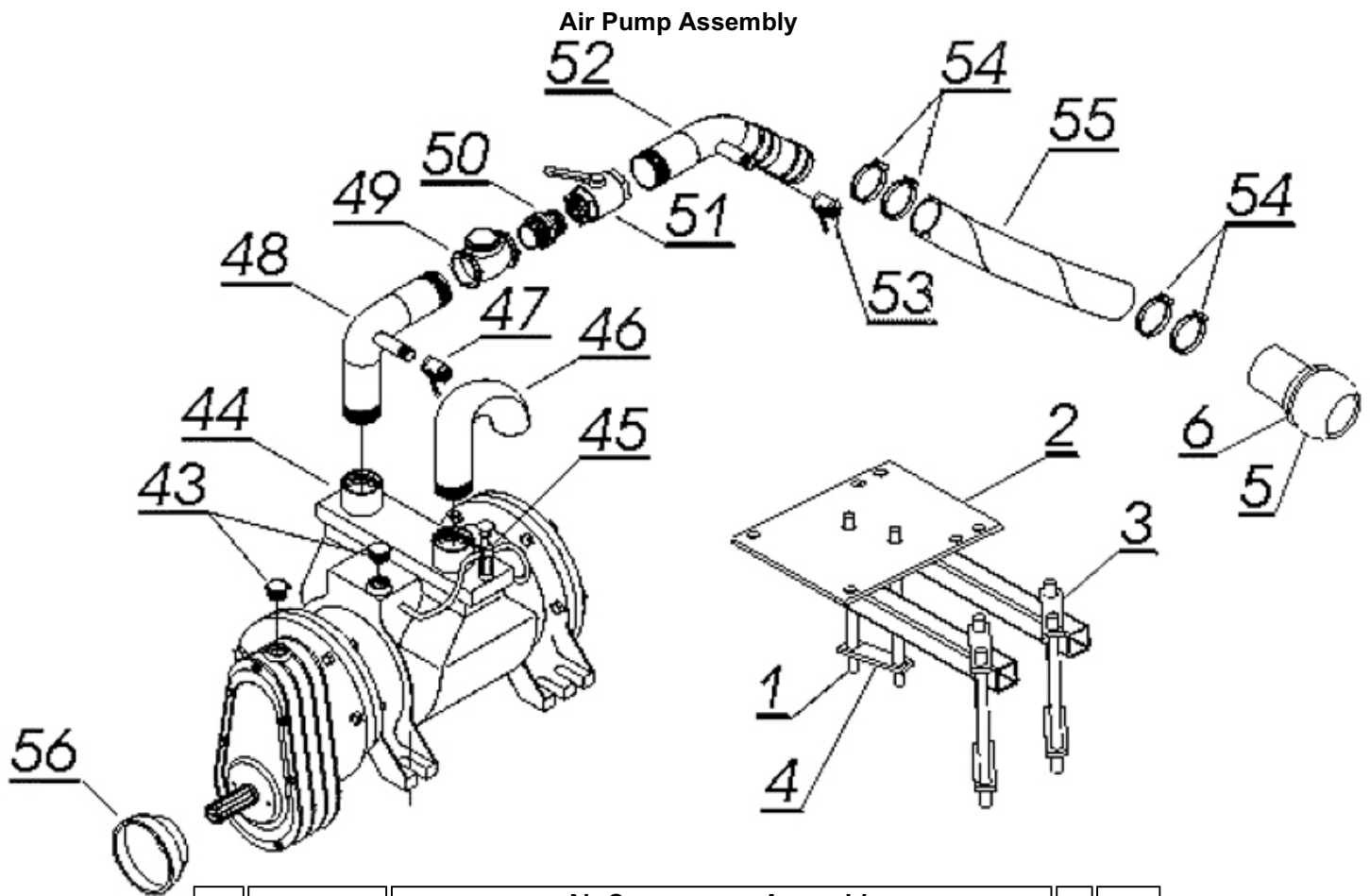


Booster Pump Assembly				
No.	Part Number	Description		Qty.
1a	599-0469-2	Engine Base (AR4)		1
1b	501-0524-0	Engine Base (AR5)		1
2	598-0141-3	Engine, Robin 20.5 HP		1
3	586-0380-0	Pump, Pedastal		1
4	599-0524-1	Shield		1
5	599-0531-0	Battery Box		1
6a	599-0461-2	Discharge Fitting 20HP Boost (AR4)		1
6b	501-0504-0	Discharge Fitting 20HP Boost (AR5)		1
7	252-4962-2	Hose, Irrigation Supply 3"	Ft.	1.5
8a	599-0334-2	Fitting, Entry 20HP Booster (AR5)		1
8b	501-0506-0	Fitting, Entry 20HP Booster (AR5)		1
9a	599-0345-0	Fitting, Entry (AR4)		1
9b	599-0345-1	Fitting, Entry (AR5)		1
10a	501-0405-0	Brace, (AR4)		1
10b	501-0527-0	Brace, (AR5)		1
11a	501-0403-0	Plate, (AR4)		1
11b	501-0525-0	Brace, (AR5)		1
12	030-1920-7	Supra Clamp 79mm-85mm		4
13	525-0262-1	Plug, BR 1/4		1
14	910-3739-0	Gauge, Murphy 20P		1
15	599-0453-0	Shim		2

Booster Pump Assembly



16	599-0458-1	Tank Mount		1
17	599-0527-0	Tank, 30 Gal.		1
18	599-0457-0	Tank Strap		1
19a	599-0534-0	Battery, 12V 24 Series		1
19b	599-0532-0	Battery Cable - Positive Not Shown		1
19c	599-0533-0	Battery Cable - Negative Not Shown		1
20	525-0898-1	Nipple, Close BR 1/8 Not Shown		1
21	525-4876-0	Barb, Hose 1/8 NPT x 1/4		1
22	277-4919-0	Filter, Glass Bowl Fuel		1
23	500-0780-0	Coupling Half 75 x 1-1/8" Bore		1
24	500-0782-0	Coupling 7 JE Sleeve Center		1
25	500-0781-0	Coupling Half 75 x 19mm Bore		1
26	501-0428-0	Switch Mt.		1
27	592-0318-0	Wire, Double 16 GA Flat	FT.	12
28	584-0695-1	Hose, Gas 1/4 x 27/64	FT.	6.67



Air Compressor Assembly				
No.	Part Number	Description		Qty.
1	650-4883-1	All Thread 3/4-10 nc	in.	13
2	502-0338-0	Bracket, Air Purge Mount		1
3	502-0339-0	Strap, Short		4
4	502-0340-0	Strap, Long		1
5	502-0343-0	Hose End, 4" Bauer		1
6	588-0023-1	Lever Ring, 4"		1
43	022-0415-0	Cap, Oil		2
44	022-0412-0	Compressor		1
45	022-1416-0	Oiler (with tubes)		1
46	022-1422-0	Elbow, Intake		1
47	586-0712-2	Valve, 3/4" Ball		1
48	022-1418-0	Elbow, Pressure		1
49	022-1419-0	Valve, 2" Check		1
50	501-0213-2	Nipple, 2"		1
51	022-1420-0	Valve, 2" Ball		1
52	502-0342-0	Hose End Asm. (w/o valve)		1
53	586-0756-0	Valve, 1/4" Ball		1
54	030-1915-1	Clamp, Hose		1
55	586-0801-1	Hose, 2" Supply		1
	502-0341-0	Hose Asm (incl. both ends)		