

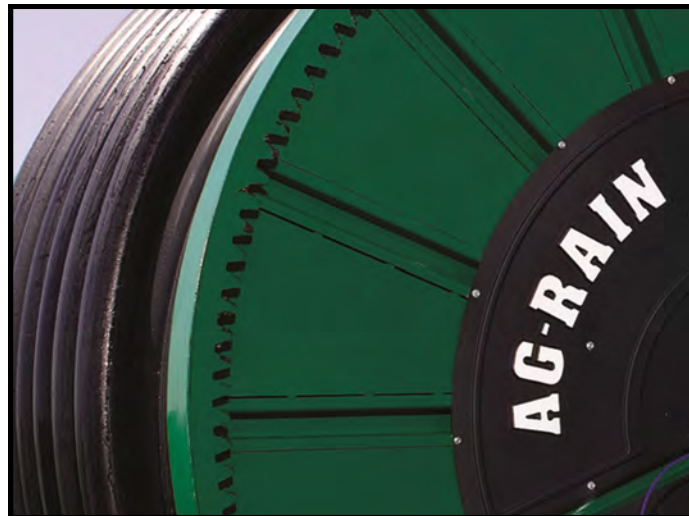


## Parts Manual

**Kifco Ag-Rain Serial No. 400000+**

**ST3**

**June 2013**



**Kifco, Inc.  
700 S. Schrader Ave.  
P.O. Box 290  
Havana, IL 62644**

**USA  
Phone: (309) 543-4425  
Fax: (309) 543-4945**

**Note:**

**When parts are described as “left” or “right”;  
please note the water inlet side is considered  
the right side.**

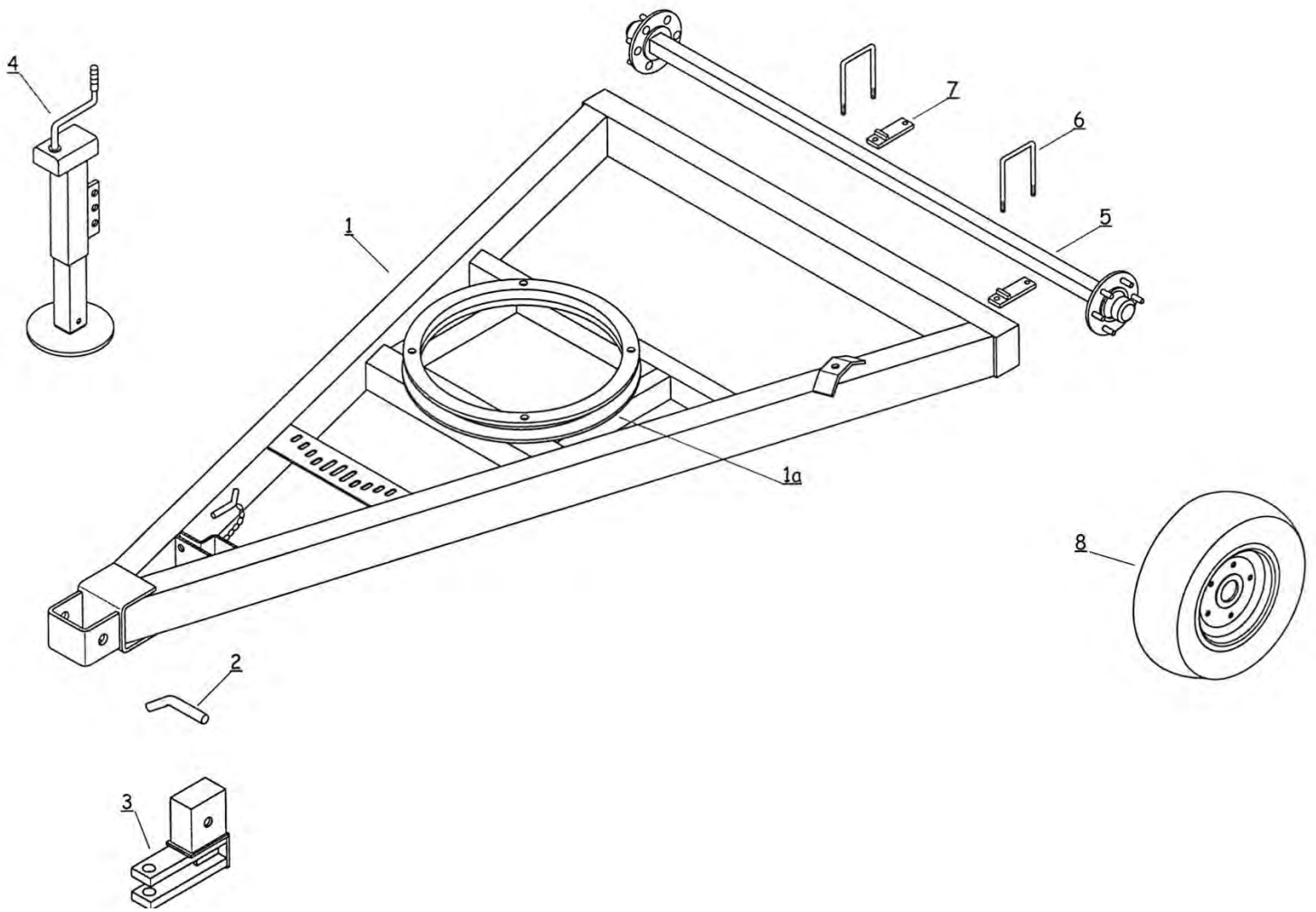
**Items such as common fasteners, grease fitting,  
and other small parts that are easily acquired  
locally are not listed.**



# Table of Contents

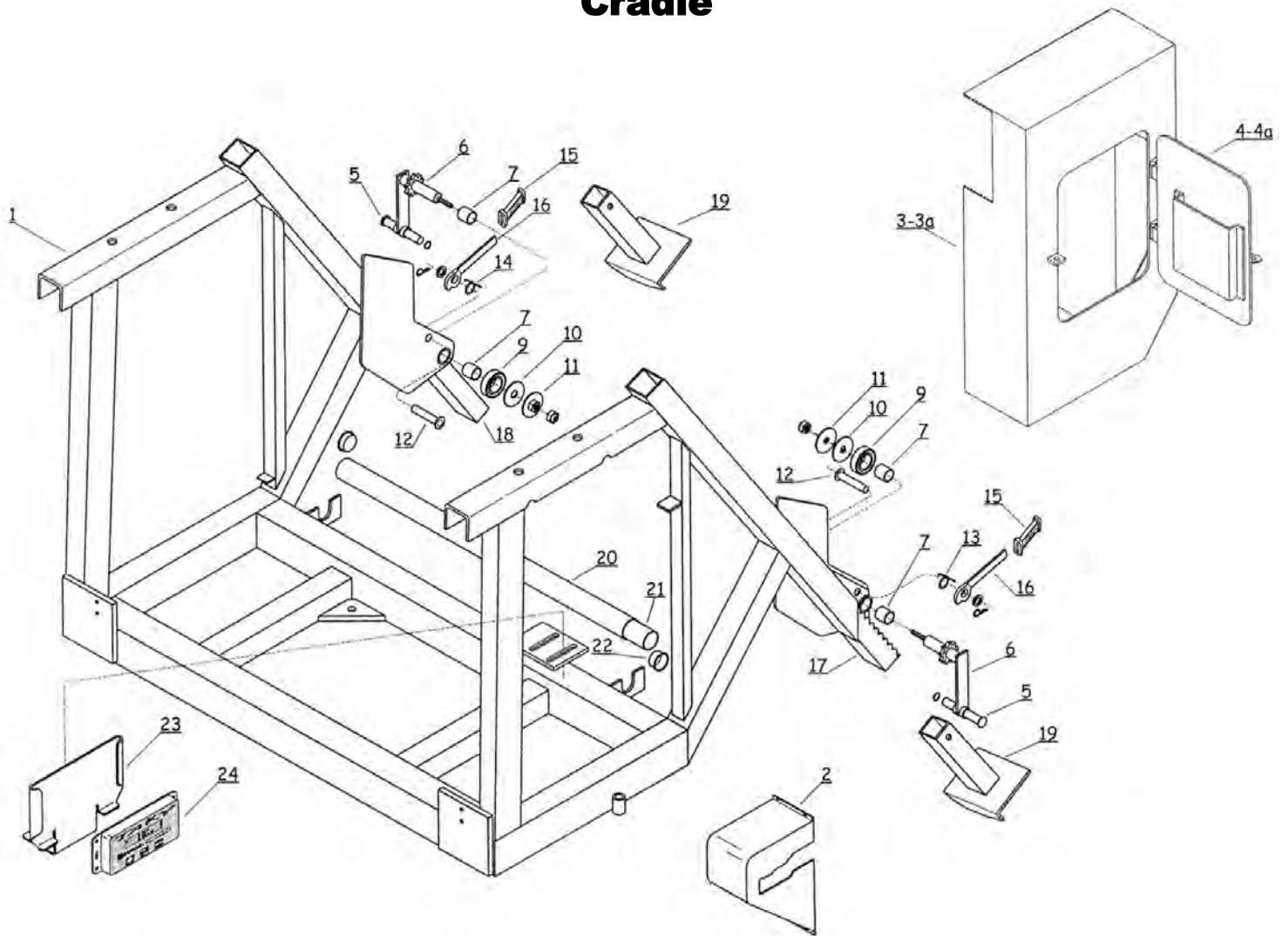
|                              |              |
|------------------------------|--------------|
| <b>Running Gear Assembly</b> | <b>1</b>     |
| <b>Cradle</b>                | <b>2</b>     |
| <b>Spool</b>                 | <b>3</b>     |
| <b>Levelwind</b>             | <b>4</b>     |
| <b>Shut Off</b>              | <b>5</b>     |
| <b>Cart Lift</b>             | <b>6</b>     |
| <b>Drive Train</b>           | <b>7</b>     |
| <b>Gearbox</b>               | <b>8</b>     |
| <b>Turbine 10/50</b>         | <b>9</b>     |
| <b>Gun Cart ST3</b>          | <b>10</b>    |
| <b>Engine Drive</b>          | <b>11-12</b> |

# Running Gear Assembly



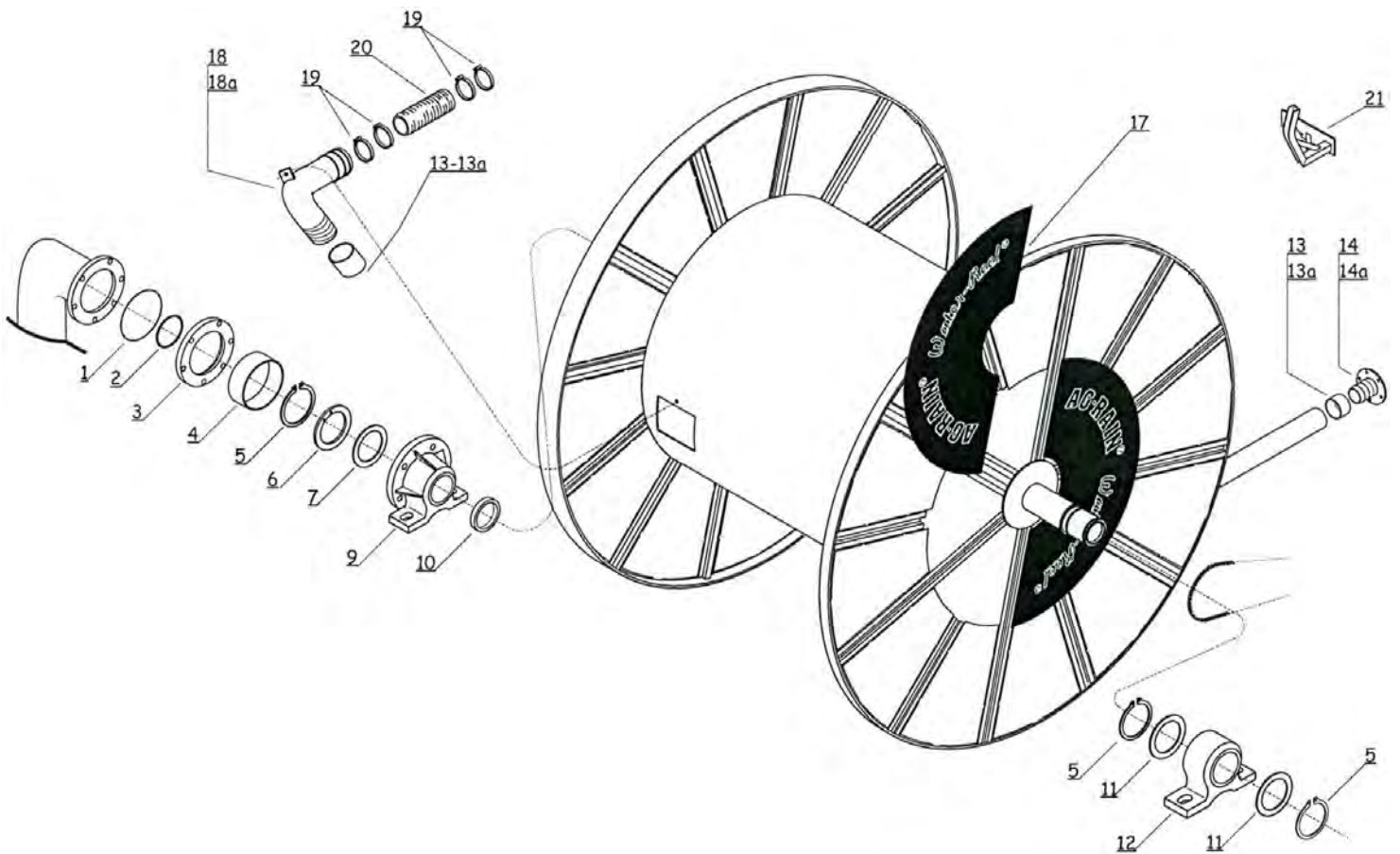
| Item | Part Number     | Description           | U/M | Qty |
|------|-----------------|-----------------------|-----|-----|
| 1    | Consult Factory | Frame - ST3           | Ea  | 1   |
| 1a   | 02221330        | Bearing, Turntable    | Ea  | 1   |
| 2    | 02208650        | Pin, Jack             | Ea  | 1   |
| 3    | 50103822        | Hitch - AR4/5/6, ST3  | Ea  | 1   |
| 4    | 02000402        | Jack, Tongue ST3, ST4 | Ea  | 1   |
| 5    | 02220090        | Axle 50 x 50 x 1600   | Ea  | 1   |
| 6    | 02216500        | U-Bolt, M16           | Ea  | 1   |
| 7    | 02219240        | Plate                 | Ea  | 1   |
| 8    | 02220080        | Wheel                 | Ea  | 1   |

# Cradle



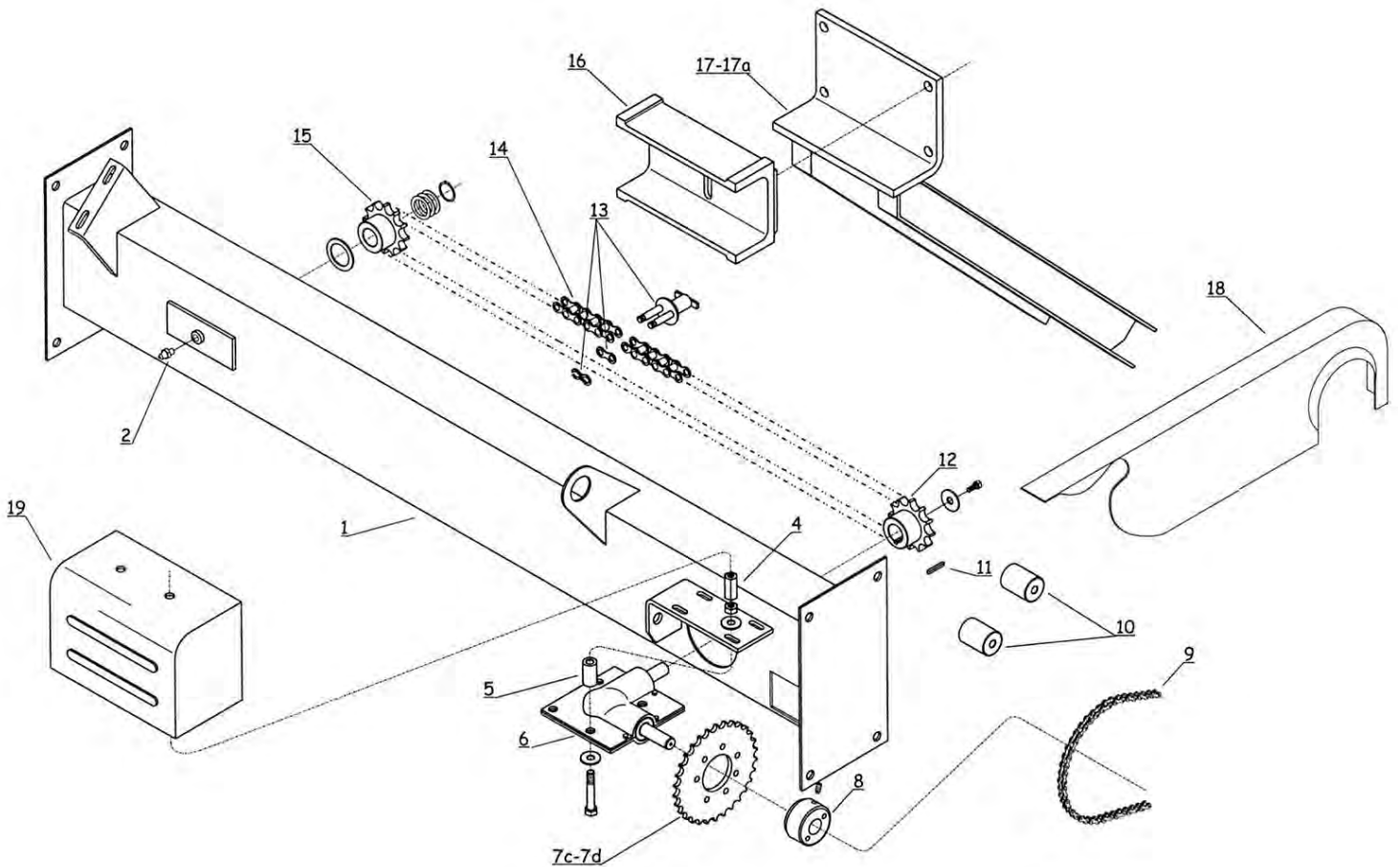
| Item | Part No. | Description                            | U/M | Qty |
|------|----------|--|-----|-----|
| 1    | 02219330 | Cradle ST3                             | Ea  | 1   |
| 2    | 02214500 | Shield, Belt                           | Ea  | 1   |
| 3    | 02210660 | Cabinet Turbine Drive                  | Ea  | 1   |
| 3a   | 02210662 | Cabinet - Engine Drive                 | Ea  | 1   |
| 4    | 02210661 | Cabinet Door - Turbine Drive           | Ea  | 1   |
| 4a   | 02210663 | Cabinet Door - Engine Drive            | Ea  | 1   |
| 5    | 02214860 | Crank Pin                              | Ea  | 2   |
| 6    | 02099578 | Crank                                  | Ea  | 2   |
| 7    | 02099056 | Bearing, Brz                           | Ea  | 4   |
| 9    | 02099059 | Spring, Rubber Stabilizer              | Ea  | 2   |
| 10   | 02099049 | Washer                                 | Ea  | 2   |
| 11   | 02099058 | Nut                                    | Ea  | 2   |
| 12   | 02219360 | Pin, 14mm x 85mm                       | Ea  | 1   |
| 13   | 02010135 | Spring, Left Torsion                   | Ea  | 1   |
| 14   | 02010128 | Spring, Right Torsion                  | Ea  | 1   |
| 15   | 02204140 | Grip, Turbine                          | Ea  | 2   |
| 16   | 02010127 | Handle, Pawl                           | Ea  | 2   |
| 17   | 02210730 | Leg, CS Stabilizer - ST3               | Ea  | 1   |
| 18   | 02210740 | Leg, TS Stabilizer - ST3               | Ea  | 1   |
| 19   | 02219270 | Feet                                   | Ea  | 2   |
| 20   | 02219381 | PE for PE Safety Roller 63mm l. 1280mm | Ea  | 1   |
| 21   | 02219380 | Hose 1" 1/2 L. 1315                    | Ea  | 1   |
| 22   | 02218021 | Plug, For Bar ST3-4-5-6-7              | Ea  | 2   |
| 23   | 02220260 | Mount, Mainboard Co                    | Ea  | 1   |
| 24   | 02220270 | Taxy Mainboard, Computer               | Ea  | 1   |

# Spool



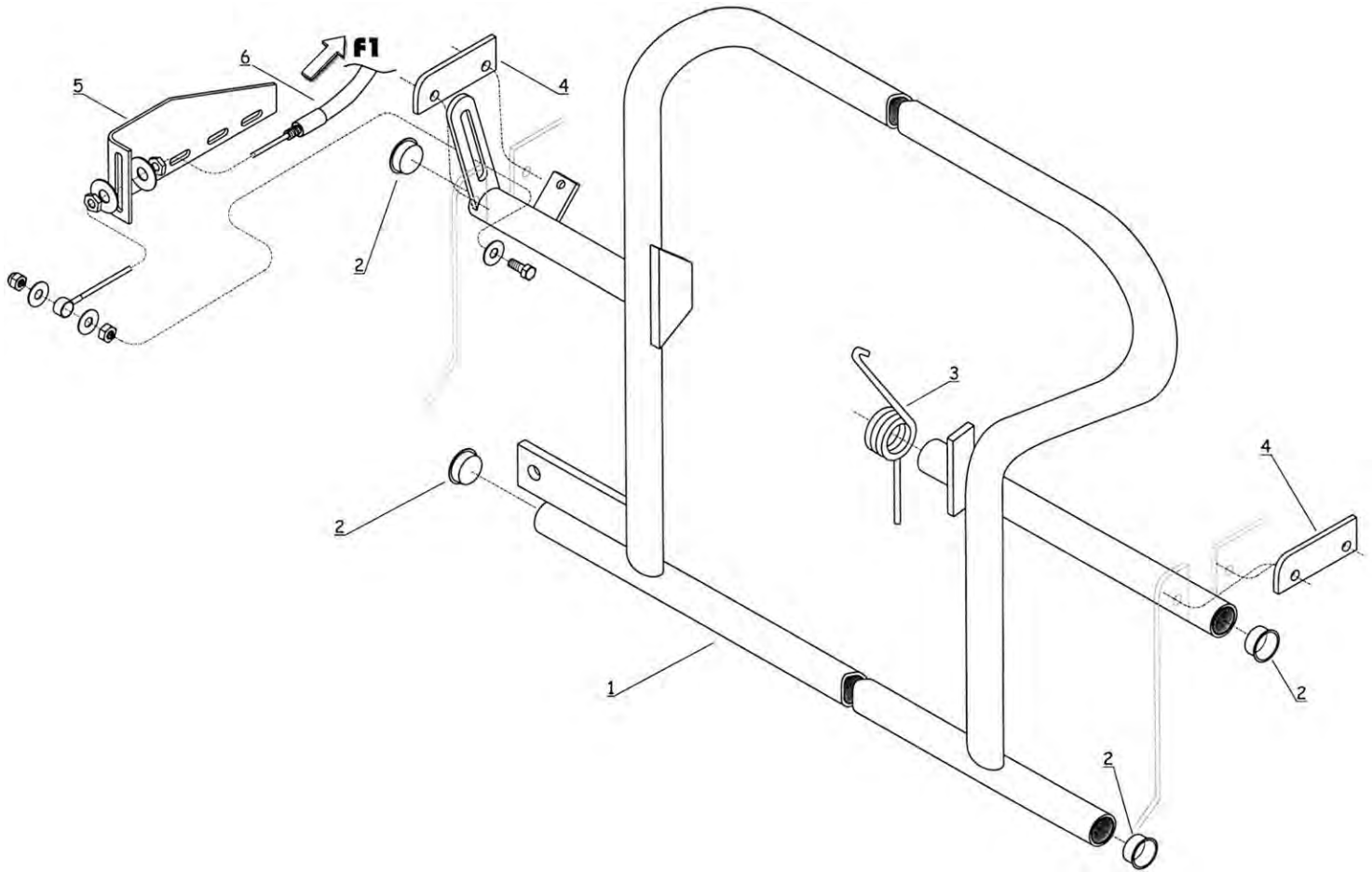
| Item | Part No. | Description                              | U/M | Qty |
|------|----------|--|-----|-----|
| 1    | 02204840 | O-Ring 104mm x 3.53mm                    | Ea  | 1   |
| 2    | 02210100 | O-Ring, 69.22mm x 5.33mm                 | Ea  | 1   |
| 3    | 02206980 | Sealing Ring Flange-A1                   | Ea  | 1   |
| 4    | 02206990 | Spacer                                   | Ea  | 1   |
| 5    | 02000428 | Snap Ring 65mm                           | Ea  | 3   |
| 6    | 02000439 | Spacer                                   | Ea  | 1   |
| 7    | 02000441 | Washer, Nylon Thrust                     | Ea  | 1   |
| 9    | 02000442 | Bearing, Spool RH Flange(AG4)            | Ea  | 1   |
| 10   | 02219410 | Spacer (G05025)                          | Ea  | 1   |
| 11   | 02000429 | Spacer                                   | Ea  | 2   |
| 12   | 02000430 | Bearing                                  | Ea  | 1   |
| 13   | 02099112 | Band, Hose 82mm                          | Ea  | 1   |
| 13a  | 02099113 | Band, Hose 90mm                          | Ea  | 1   |
| 14   | 02218821 | Hose Ring with Flange 82mm               | Ea  | 1   |
| 14a  | 02218822 | Hose Ring with Flange 90mm               | Ea  | 1   |
| 17   | 02219430 | Shield, Drum (G34083)                    | Ea  | 4   |
| 18   | 02219433 | Hose Tail Bend PE Tube 82mm              | Ea  | 1   |
| 18a  | 02219434 | Hose Tail Bend PE Tube 90mm              | Ea  | 1   |
| 19   | 03019194 | Supra Clamp 73mm-79mm                    | Ea  | 4   |
| 20   | 02201480 | Hose, 70mm x 79mm - (23.7" Long)         | Ea  | 1   |
| 21   | 02218690 | End Switch Bar CS ST 3-4-5               | Ea  | 1   |
| 23   | 58802841 | Hose Asm, Supply 3" x 30' (Not Pictured) | Ea  | 1   |

# Levelwind



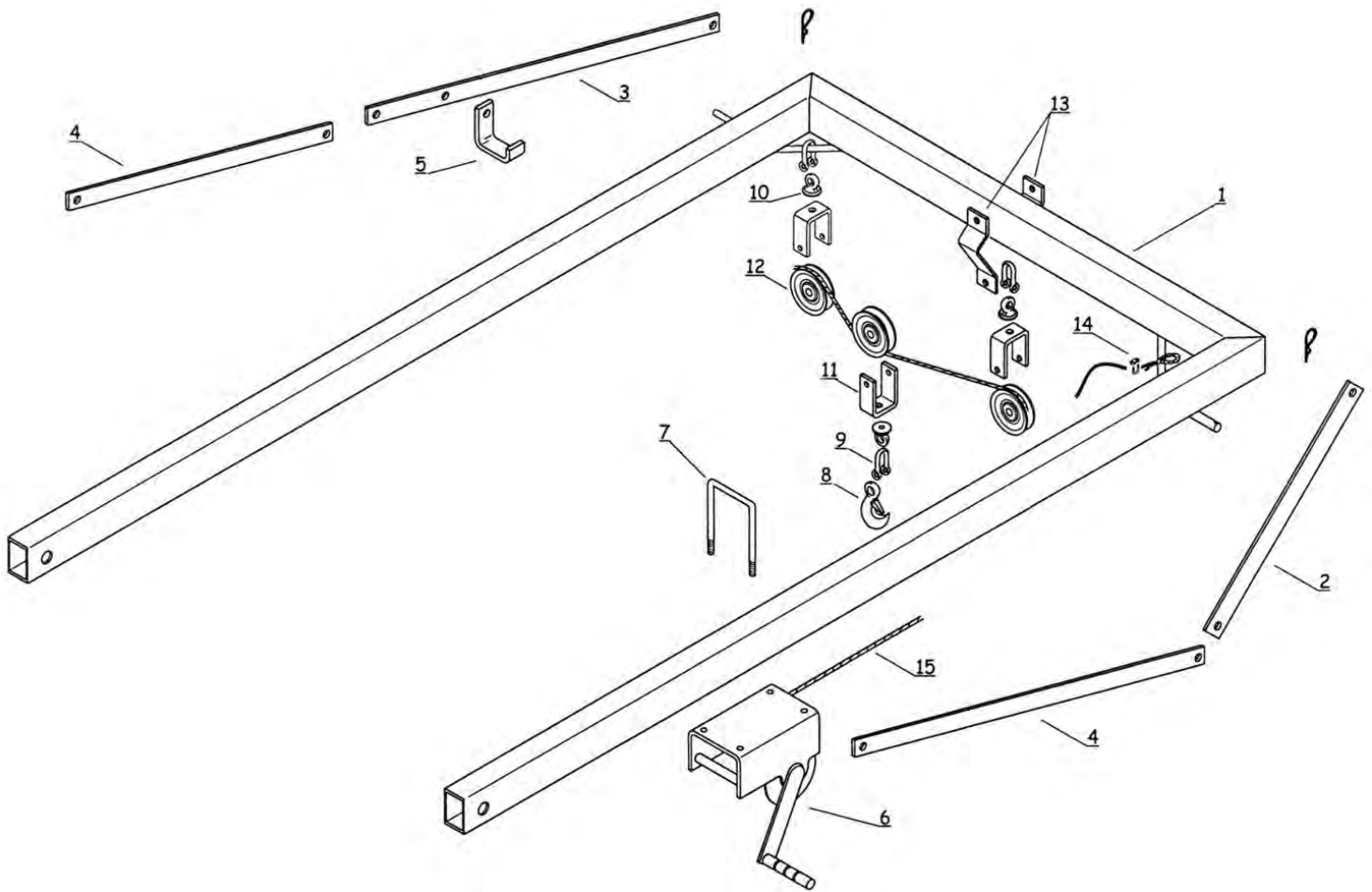
| Item | Part No. | Description   | U/M | Qty  |
|------|----------|---|-----|------|
| 1    | 02219440 | Frame, Hose Guide L. 1490 (D21012)                  | Ea. | 1    |
| 2    | 02206781 | Grease Zerk   | Ea. | 1    |
| 4    | 02220870 | Nut, 10mm-45mm                                      | Ea. | 4    |
| 5    | 02001084 | Bevel Gear Pair Spacer 1/2" x 45mm                  | Ea. | 2    |
| 6    | 02001085 | Gear Box, Right Angle                               | Ea. | 1    |
| 7c   | 02212260 | Sprocket .5 x 28 Tooth (82mm)                       | Ea. | 1    |
| 7d   | 02201250 | Sprocket .5 x 25 Tooth (90mm)                       | Ea. | 1    |
| 8    | 02000153 | Hub, Sprocket                                       | Ea. | 1    |
| 9    | 02001140 | Chain 1/2 Metric Roller (243p or 244 rollers)       | Ft. | 10.2 |
| 10   | 02211040 | Chain Tightner                                      | Ea. | 2    |
| 11   | 02207880 | Key, 7mm x 8mm x 25mm                               | Ea. | 1    |
| 12   | 02000479 | Sprocket, Lvlwnd Idler 13T A1                       | Ea. | 1    |
| 13   | 02209050 | Link, Hose Guide, Oval End 5/8"                     | Ea. | 1    |
| 14   | 02001141 | Chain 5/8 Metric Roller/ foot (149p or 150 rollers) | Ea. | 1    |
| 15   | 02000475 | Sprocket, levelwind Idler 13T A1                    | Ea. | 1    |
| 16   | 02210970 | Support, Fork- ST3 AR4                              | Ea. | 1    |
| 17   | 02219450 | Fork for Hose 82mm (G33047)                         | Ea. | 1    |
| 17a  | 02219451 | For for Hose 90mm                                   | Ea. | 1    |
| 18   | 02218864 | Shield, ST3   | Ea. | 1    |
| 19   | 02219460 | Shield Bevel Gearbox Cover (G34115)                 | Ea. | 1    |

# Shut-off



| Item | Part No. | Description                           | U/M | Qty |
|------|----------|---------------------------------------|-----|-----|
| 1    | 02219470 | Hose Retention Bar                    | Ea  | 1   |
| 2    | 02201630 | Cap Plug                              | Ea  | 4   |
| 3    | 02200166 | Spring, Coil-Shutoff                  | Ea  | 1   |
| 4    | 02219480 | Plate, for fix length 83 ST3 (G15144) | Ea  | 2   |
| 5    | 02211090 | Cable Mount                           | Ea  | 1   |
| 6    | 02219490 | Cable, Control (006314)               | Ea  | 1   |

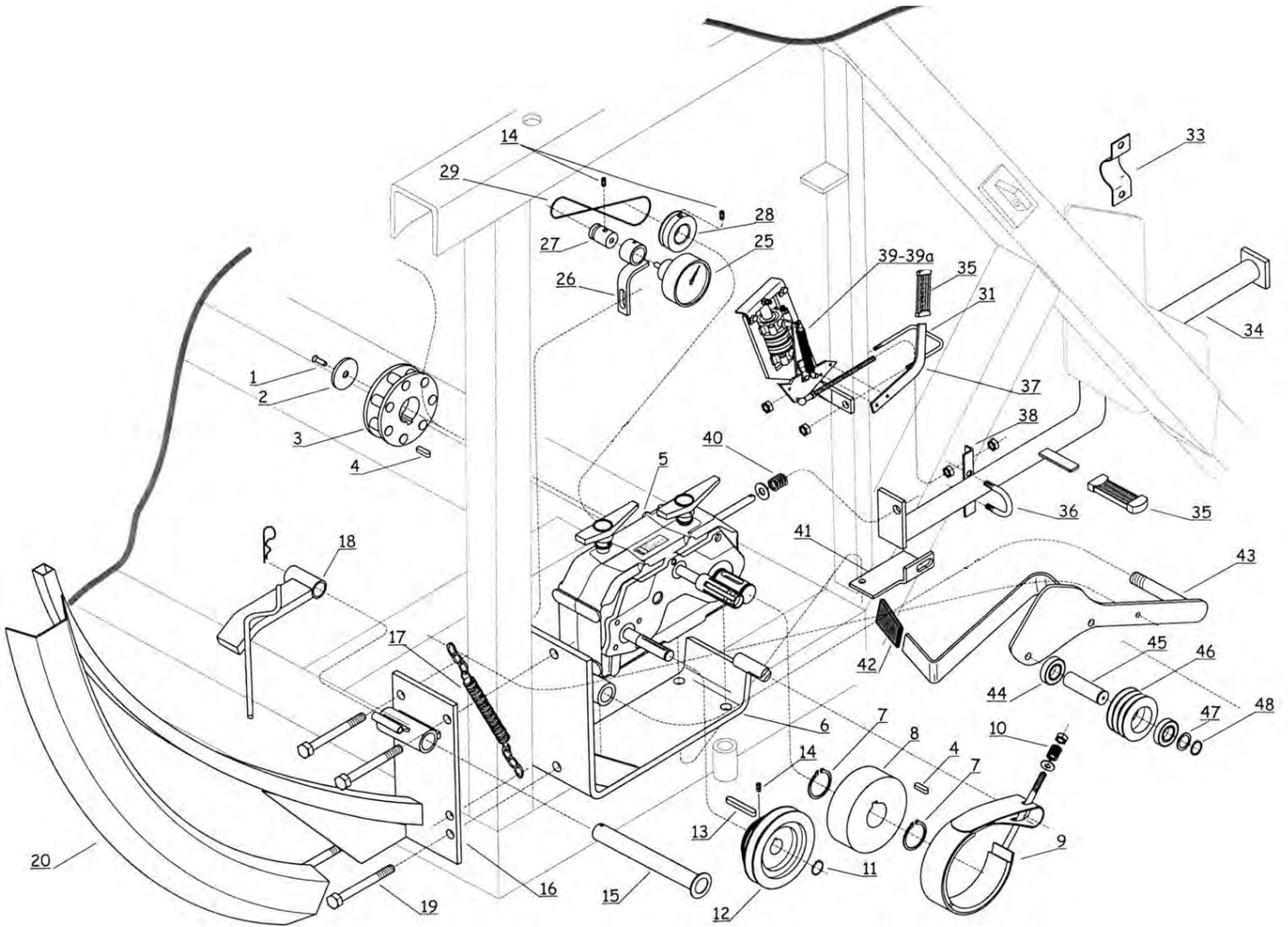
# Cart Lift



| Item | Part No. | Description                        | U/M | Qty |
|------|----------|------------------------------------|-----|-----|
| 1    | 02219500 | Fixed Frame (002909)               | Ea  | 1   |
| 2    | 02219510 | Support Plate (002910)             | Ea  | 1   |
| 3    | 02219520 | Support Plate w/ Drill for Bracket | Ea  | 1   |
| 4    | 02219530 | Length for Flat Bar (002910)       | Ea  | 2   |
| 5    | 02219540 | Bracket (002911)                   | Ea  | 1   |
| 6    | 02219550 | Winch (001495)                     | Ea  | 1   |
| 7    | 02218101 | U-Bolt M8                          | Ea  | 2   |
| 8    | 02218110 | Hook                               | Ea  | 2   |
| 9    | 02218120 | Clevis                             | Ea  | 4   |
| 10   | 02218130 | Eye Bolt M12F                      | Ea  | 4   |
| 11   | 02218140 | Fork                               | Ea  | 4   |
| 12   | 02218150 | Pulley                             | Ea  | 4   |
| 13   | 02218161 | Pulley Support ST4                 | Ea  | 2   |
| 14   | 02221100 | Clamp Cable                        | Ea  | 2   |
| 15   | 02221110 | Cable, 8mm L. 8000                 | Ea  | 1   |



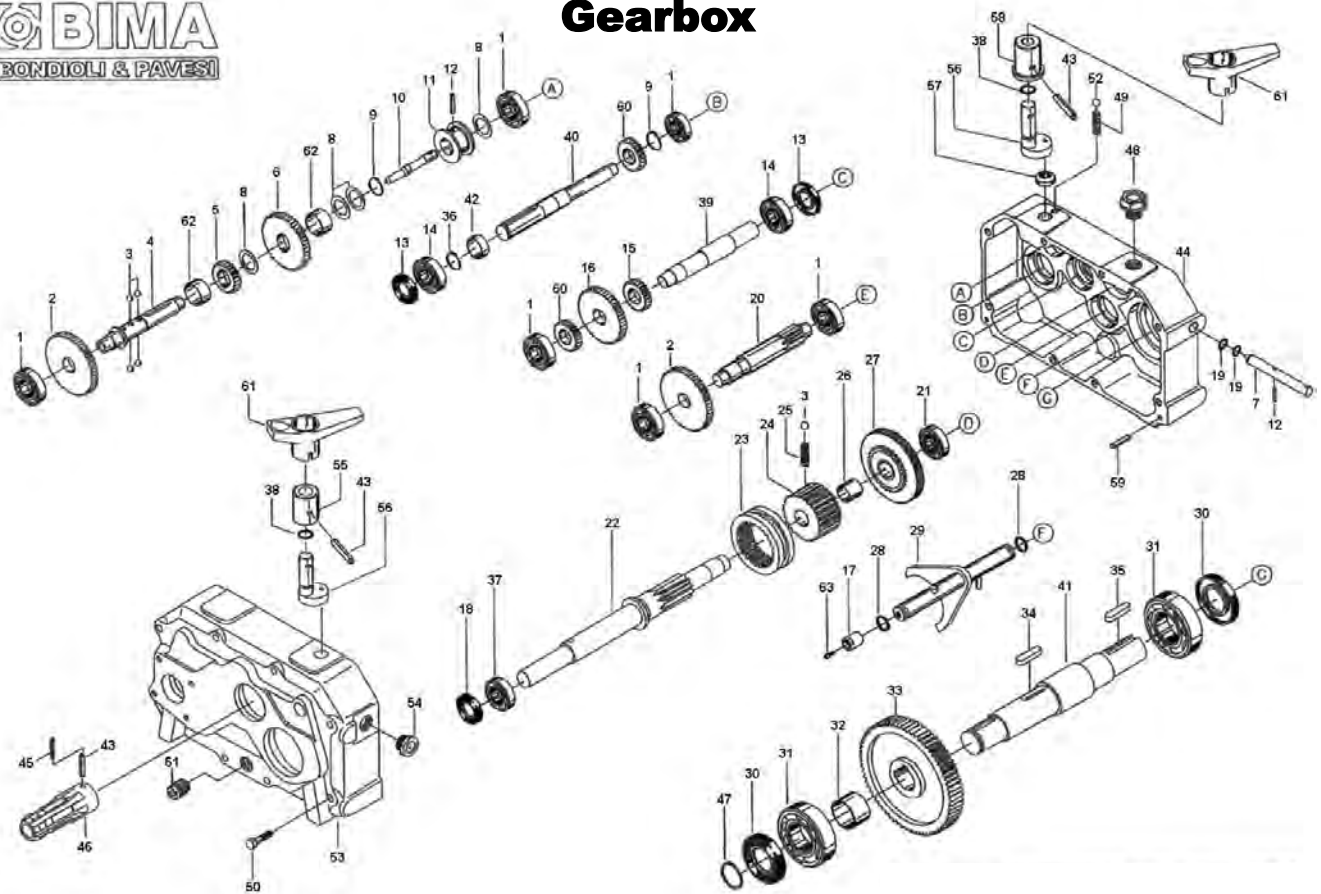
# Drive Train



| Item | Part No. | Description                        | U/M | Qty |
|------|----------|------------------------------------|-----|-----|
| 1    | 55070110 | Screw 10mm x 25mm Alen Flat        | Ea  | 1   |
| 2    | 02203590 | Washer, Special                    | Ea  | 1   |
| 3    | 02220040 | Pinion-Dia 30 Z7 M14               | Ea  | 1   |
| 4    | 02215970 | Key 10mm x 8mm x 50mm              | Ea  | 2   |
| 5a   | 02219560 | Gearbox Bima B552 (D07012) Turbine | Ea  | 1   |
| 5b   | 50201902 | Gearbox Bima G10 Engine Dr.        | Ea  | 1   |
| 6    | 02219570 | Gearbox Support (G19156)           | Ea  | 1   |
| 7    | 02201870 | Stop Ring E30                      | Ea  | 2   |
| 8    | 02219580 | Brake Drum Dia. 100                | Ea  | 1   |
| 9    | 02219590 | Strip, Brake (G35003)              | Ea  | 1   |
| 10   | 02216400 | Spring C98                         | Ea  | 1   |
| 11   | 02201680 | Retaing Ring E20                   | Ea  | 1   |
| 12   | 02213980 | Pulley, 3 Step 100M, 125M, 147     | Ea  | 1   |
| 13   | 02205510 | Key 6 x 50                         | Ea  | 1   |
| 14   | 02203190 | Key 6 x 10                         | Ea  | 3   |
| 15   | 02203710 | Pin, Anit-Return Pawl              | Ea  | 1   |
| 16   | 02219600 | Gearbox, Fixing Plate              | Ea  | 1   |
| 17   | 02203180 | Spring Belt Tightner               | Ea  | 1   |
| 18   | 02211180 | Anti-Pawl Return                   | Ea  | 1   |
| 19   | 02221120 | Bolt, M12 x 110                    | Ea  | 4   |
| 20   | 02219610 | Sheildd, Gear                      | Ea  | 1   |
| 25   | 02201200 | Tachometer Asm 0-400 Ft/Hr Ag-Rain | Ea  | 1   |

| Item | Part No. | Description                         | U/M | Qty |
|------|----------|-------------------------------------|-----|-----|
| 26   | 02203670 | Bracket, Tachometer                 | Ea  | 1   |
| 27   | 02201190 | Pulley, Green Tach                  | Ea  | 1   |
| 28   | 02219620 | Gearbox, pulley for Tachometer B552 | Ea  | 1   |
| 29   | 02219630 | Belt, Tachometer 87SH/A Dia 3L.520  | Ea  | 1   |
| 33   | 02000164 | Retainer                            | Ea  | 1   |
| 34   | 02219640 | Stop Rod                            | Ea  | 1   |
| 35   | 02204140 | Grip, turbine                       | Ea  | 1   |
| 36   | 02219650 | U-Bolt M6                           | Ea  | 1   |
| 37   | 02211420 | Distributor Lever                   | Ea  | 1   |
| 38   | 02218380 | Distributor Guide Plate             | Ea  | 1   |
| 39   | 02211390 | Distributor For Shutoff Valve       | Ea  | 1   |
| 39a  | 02211390 | Distributor for Shut Down Valve     | Ea  | 1   |
| 40   | 02218390 | Spring B600                         | Ea  | 1   |
| 41   | 02219660 | Stop Rod Guide Plate                | Ea  | 1   |
| 42   | 02211250 | Hand Grip                           | Ea  | 1   |
| 43   | 02219670 | Tightner Lever                      | Ea  | 1   |
| 44   | 02203440 | Bearing, 6005-2RS                   | Ea  | 2   |
| 45   | 02206530 | Shaft, Belt Idler                   | Ea  | 1   |
| 46   | 02206540 | Pulley Idler 3 Groove               | Ea  | 1   |
| 47   | 02207030 | Spacer 1mm x 25mm x 35mm            | Ea  | 2   |
| 48   | 02203420 | Snap ring E25                       | Ea  | 1   |

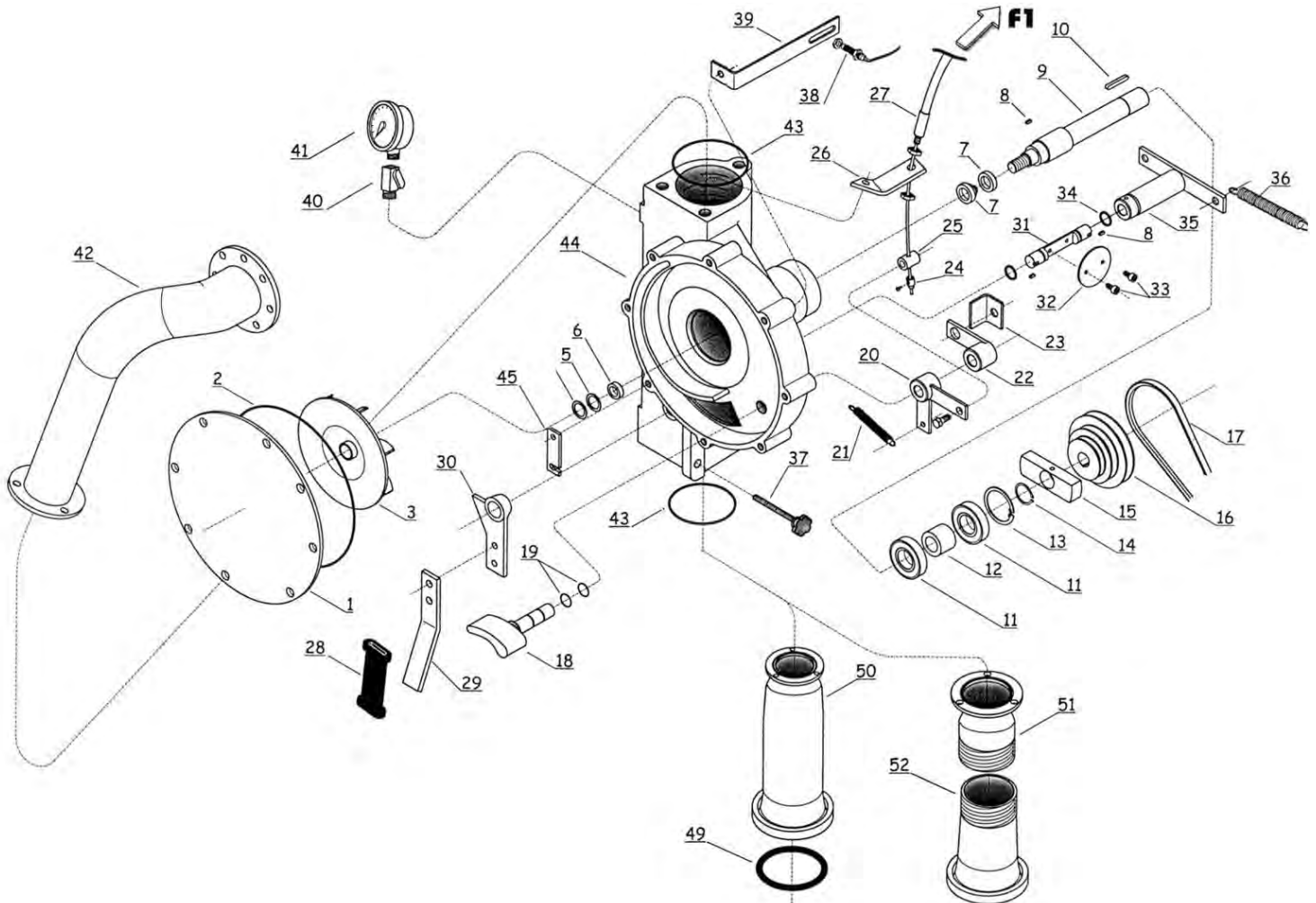
# Gearbox



| Item | Part No. | Description                    | U/M | Qty |
|------|----------|--------------------------------|-----|-----|
| 1    | 02215980 | Bearing, 6302 (no seals)       | Ea  | 6   |
| 2    | 02220320 | Gear, Bima B552                | Ea  | 2   |
| 3    | 02216070 | Ball                           | Ea  | 5   |
| 4    | 02220330 | Shaft, Bima                    | Ea  | 1   |
| 5    | 02220340 | Gear, Bima B552                | Ea  | 1   |
| 6    | 02220350 | Gear, Bima B552                | Ea  | 1   |
| 7    | 02220360 | Pin, Bima B552                 | Ea  | 1   |
| 8    | 02220370 | Sleeve, 18 x 28 x 1, Bima B552 | Ea  | 3   |
| 9    | 02215850 | Snap Ring, D18E                | Ea  | 2   |
| 10   | 02220380 | Selector, Bima B552            | Ea  | 1   |
| 11   | 02220390 | Hub, Bima B552                 | Ea  | 1   |
| 12   | 02216120 | Pin 5 x 24 ISO 8752            | Ea  | 2   |
| 13   | 02215880 | Oil Seal 20 x 35 x 6           | Ea  | 2   |
| 14   | 02219170 | Bearing 6004 (no seals)        | Ea  | 2   |
| 15   | 02220400 | Gear, Bima B552                | Ea  | 1   |
| 16   | 02220410 | Gear, Bima B552                | Ea  | 1   |
| 17   | 02220420 | Hub, Bima B552                 | Ea  | 1   |
| 18   | 02220160 | Seal, 25 x 47 x 7              | Ea  | 1   |
| 19   | 02220180 | O-Ring 2056                    | Ea  | 1   |
| 20   | 02220140 | Shaft, Bima B552               | Ea  | 1   |
| 21   | 02217030 | Bearing, 6303 (no seals)       | Ea  | 1   |
| 22   | 02220430 | Shaft, Bima B552               | Ea  | 1   |
| 23   | 02220440 | Hub, Bima B552                 | Ea  | 1   |
| 24   | 02220450 | Hub, Bima B552                 | Ea  | 1   |
| 25   | 02216050 | Spring                         | Ea  | 1   |
| 26   | 02215930 | Sleeve 18 x 20 x 15            | Ea  | 1   |
| 27   | 02220150 | Gear, Bima G13                 | Ea  | 1   |
| 28   | 02215920 | Oil Seal CR 3050               | Ea  | 2   |
| 29   | 02220460 | Lever, Bima B552               | Ea  | 1   |
| 30   | 02220170 | Seal, 35 x 62 x 10             | Ea  | 2   |
| 31   | 04035023 | Bearing, SKF6207 (no seals)    | Ea  | 2   |

| Item | Part No. | Description                   | U/M | Qty |
|------|----------|-------------------------------|-----|-----|
| 32   | 02220470 | Sleeve, Bima B552             | Ea  | 1   |
| 33   | 02220480 | Gear, Bima B552               | Ea  | 1   |
| 34   | 02203510 | Key, 10mm x 8mm x 30mm        | Ea  | 1   |
| 35   | 02018880 | Key, 10mm x 8mm x 40mm        | Ea  | 1   |
| 36   | 02201680 | Retaining Ring E20            | Ea  | 1   |
| 37   | 02216010 | Bearing, 6205 (no seals)      | Ea  | 1   |
| 38   | 02215910 | Oil Seal CR 3043              | Ea  | 2   |
| 39   | 02220490 | Shaft, Bima B552              | Ea  | 1   |
| 40   | 02220500 | Shaft, Bima B552              | Ea  | 1   |
| 41   | 02220510 | Shaft, Bima B552              | Ea  | 1   |
| 42   | 02220530 | Sleeve, 18.6 x 25 x 3.5       | Ea  | 1   |
| 43   | 02216170 | Pin 6 x 40 ISO 8752           | Ea  | 1   |
| 44   | 02220520 | Housing, Bima B552            | Ea  | 1   |
| 45   | 02216110 | Pin 3.5 x 40 ISO 8752         | Ea  | 1   |
| 46   | 02220540 | Sleeve, Bima B552             | Ea  | 1   |
| 47   | 02205341 | Snap Ring E30                 | Ea  | 1   |
| 48   | 02220550 | Oil Plug, 1/2" Gas Bima B552  | Ea  | 1   |
| 49   | 02220560 | Spring, Bima B552             | Ea  | 1   |
| 50   | 02220570 | Screw, M8 x 75 UNI5737        | Ea  | 8   |
| 51   | 02220580 | Oil Plug, 1/2" Gas            | Ea  | 1   |
| 52   | 02220590 | Ball, 5/16" Bima B552         | Ea  | 1   |
| 53   | 02220600 | Housing, Bima B552            | Ea  | 1   |
| 54   | 02220610 | Oil Plug, 1/2" Gas, Bima B552 | Ea  | 1   |
| 55   | 02220620 | Hub, Bima B552                | Ea  | 1   |
| 56   | 02220630 | Lever, Bima B552              | Ea  | 2   |
| 57   | 02220640 | Pad, Bima B552                | Ea  | 1   |
| 58   | 02220650 | Hub, Bima B552                | Ea  | 1   |
| 59   | 02216140 | Pin 6 x 20 UNI 1707           | Ea  | 2   |
| 60   | 02220660 | Gear, Bima B552               | Ea  | 2   |
| 61   | 02215660 | Handle, Shifter- Bima         | Ea  | 2   |
| 62   | 02220670 | Sleeve, Bima B552             | Ea  | 1   |
| 63   | 02220680 | Screw, Bima B552              | Ea  | 1   |

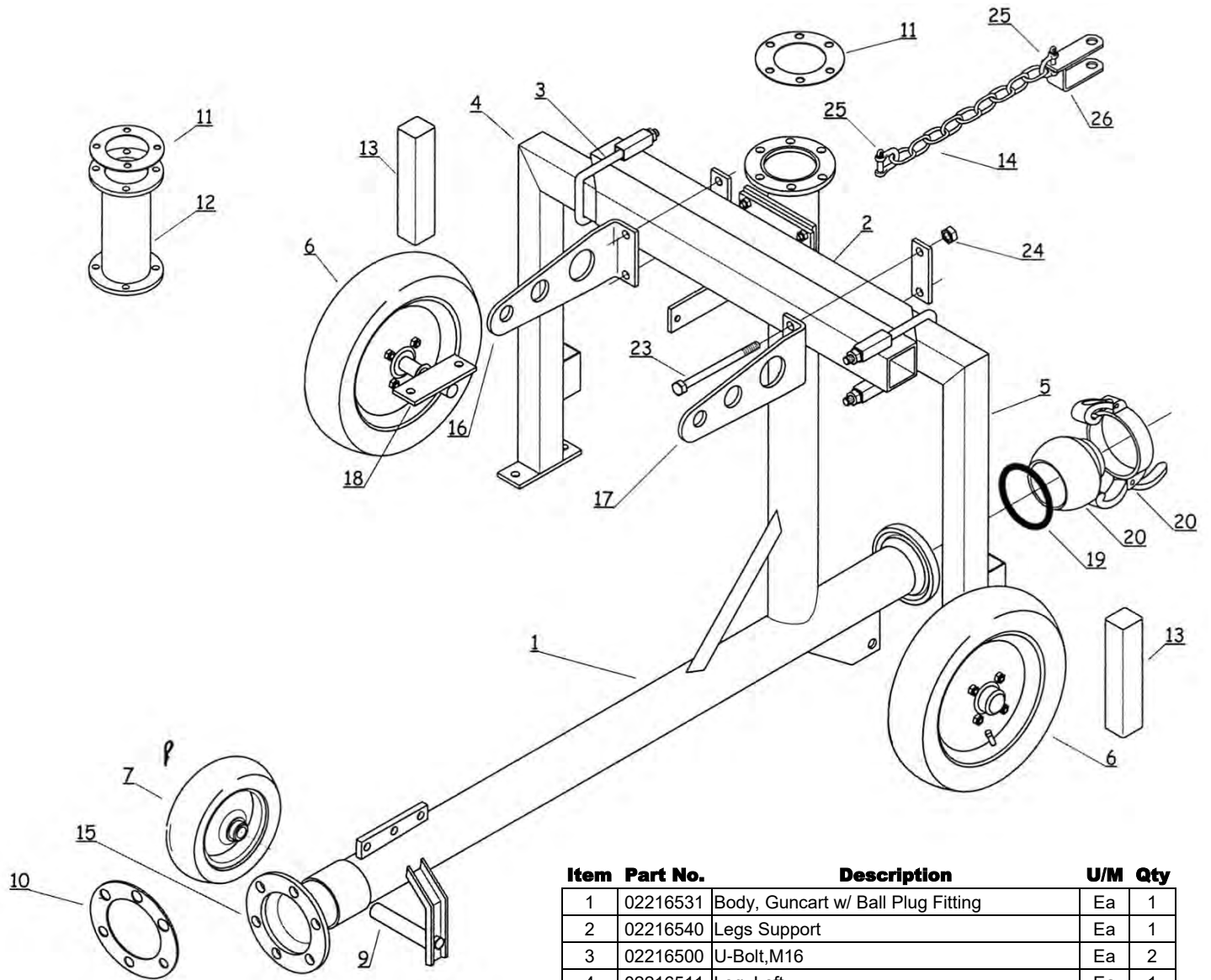
# Turbine 10/50



| Item | Part No. | Description                      | U/M | Qty |
|------|----------|----------------------------------|-----|-----|
| 1    | 02203340 | Cover, 10/50 Turbine             | Ea  | 1   |
| 2    | 02203330 | O-Ring Dia. 203 x 3.53           | Ea  | 1   |
| 3    | 02201990 | Impeller 5.43 x .51 Vane H       | Ea  | 1   |
| 4    | 02205430 | Shim, Myllar 16.2 x 23.8 x .25   | Ea  | -   |
| 5    | 02203010 | Spacer Dia. .25mm x 20mm x 1.5mm | Ea  | 1   |
| 6    | 02203000 | Spacer, 25mm x 16mm x 7mm        | Ea  | 1   |
| 7    | 02205450 | Seal, 20 x 6                     | Ea  | 1   |
| 8    | 02203370 | Key 5 x 10                       | Ea  | 1   |
| 9    | 02203260 | Impeller Pin                     | Ea  | 1   |
| 10   | 02205510 | Key 6 x 50                       | Ea  | 1   |
| 11   | 02201670 | Bearing, 6204-2RS                | Ea  | 2   |
| 12   | 02203250 | Spacer, 25mm x 20mm x 10.2mm     | Ea  | 1   |
| 13   | 02203240 | Stop Ring I47                    | Ea  | 1   |
| 14   | 02201680 | Retaining Ring E20               | Ea  | 1   |
| 15   | 02218890 | Command Plate Sensor Turbine     | Ea  | 1   |
| 16   | 02205920 | Pulley, 100mm, 75mm, 53mm 3 Step | Ea  | 1   |
| 17   | 59904250 | Belt Ax 53                       | Ea  | 1   |
| 18   | 02203320 | Regulator Flap                   | Ea  | 1   |
| 19   | 02203310 | O-Ring 8.73, ID x 1.78mm CS      | Ea  | 2   |
| 20   | 02221130 | Lever Control Flap               | Ea  | 1   |
| 21   | 02219680 | Spring L. 133 (005376)           | Ea  | 1   |
| 22   | 02206500 | Loop, Compensator-10/50, 25/120  | Ea  | 1   |
| 23   | 02217940 | Flap Stop                        | Ea  | 1   |
| 24   | 02218900 | Cable Stop                       | Ea  | 1   |
| 25   | 02211450 | Cable Attachment                 | Ea  | 1   |

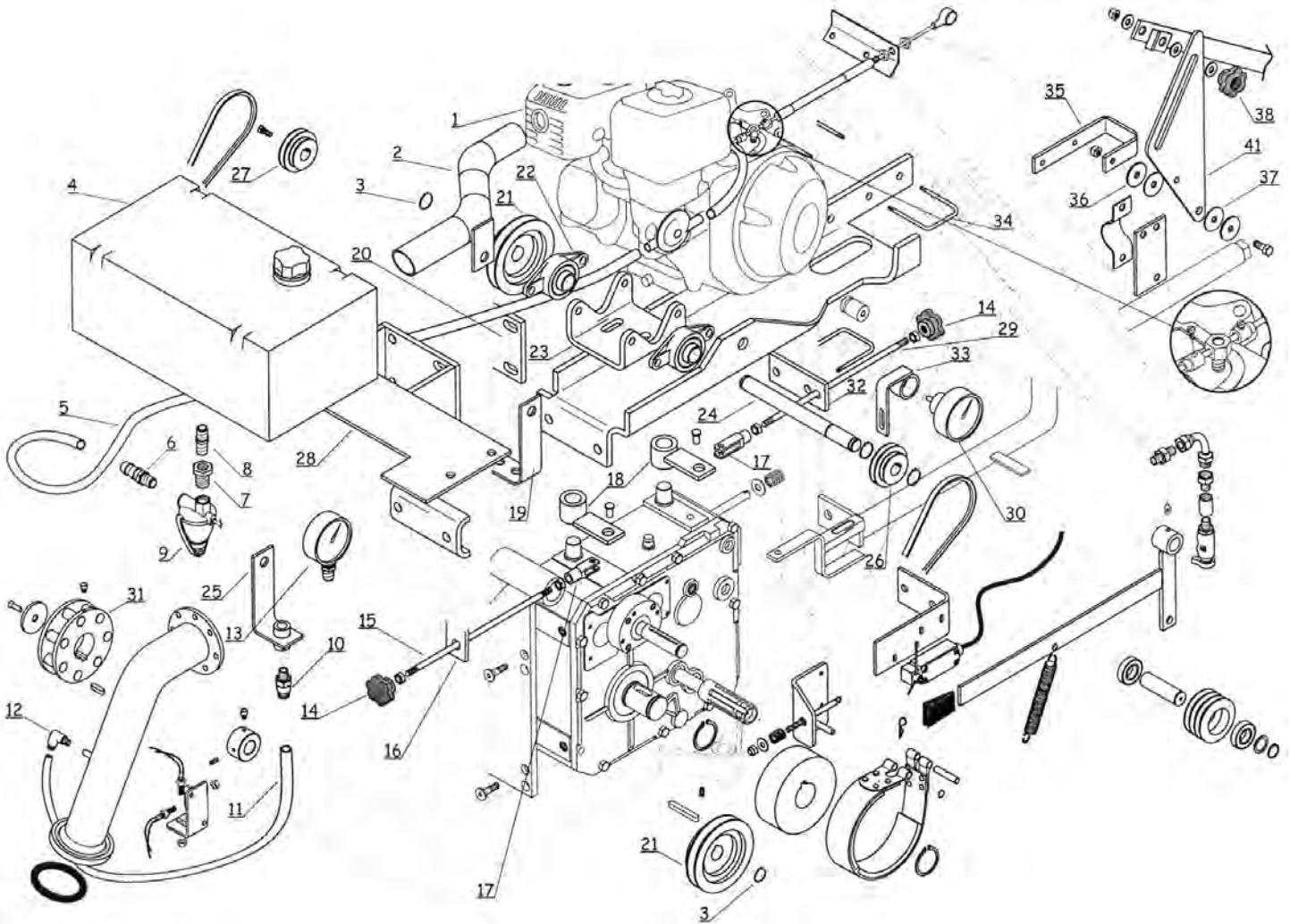
| Item | Part No. | Description                       | U/M | Qty |
|------|----------|-----------------------------------|-----|-----|
| 26   | 02221140 | Flap Cable Support                | Ea  | 1   |
| 27   | 02220050 | Flap Command Cable L 1650         | Ea  | 1   |
| 28   | 02204140 | Hand Grip Mod. 1040-20 x 6        | Ea  | 1   |
| 29   | 02205570 | Lever, By-pass                    | Ea  | 1   |
| 30   | 02205581 | Lever, By-pass-10/50              | Ea  | 1   |
| 31   | 02203071 | Shaft, By-pass w/o grooves        | Ea  | 1   |
| 32   | 02203400 | Disc. By-pass                     | Ea  | 1   |
| 33   | 02203050 | Screw, 6-1mm x 16mm               | Ea  | 2   |
| 34   | 02203060 | O-ring Dia 10.77 x 2.62           | Ea  | 2   |
| 35   | 02211480 | By-pass Lever                     | Ea  | 1   |
| 36   | 02203180 | Spring Belt Tightner              | Ea  | 1   |
| 37   | 02203910 | Hand Wheel                        | Ea  | 1   |
| 38   | 02213730 | Sensor Cruise Control             | Ea  | 1   |
| 39   | 02211500 | Sensor Mount                      | Ea  | 1   |
| 40   | 02217950 | Gauge Cock                        | Ea  | 1   |
| 41   | 58606750 | Gauge, Press 0-300                | Ea  | 1   |
| 42   | 02218960 | Upper Elbow, ST3                  | Ea  | 1   |
| 43   | 02203030 | O-Ring Dia 71.54 x 3.53           | Ea  | 2   |
| 44   | 02203020 | Body Turbine 10/50                | Ea  | 1   |
| 45   | 02205731 | Plate, Stop 10/50                 | Ea  | 1   |
| 49   | 58800223 | Seal Ring 3" 4.5 x 3.5 x 1/2      | Ea  | 1   |
| 50   | 02218971 | Nipple w/ Bauer 3"                | Ea  | 1   |
| 51   | 02218972 | Nipples threaded for Vas 3"       | Ea  | 1   |
| 52   | 02218973 | Nipples threaded for Vas 3" Bauer | Ea  | 1   |

# Gun Cart



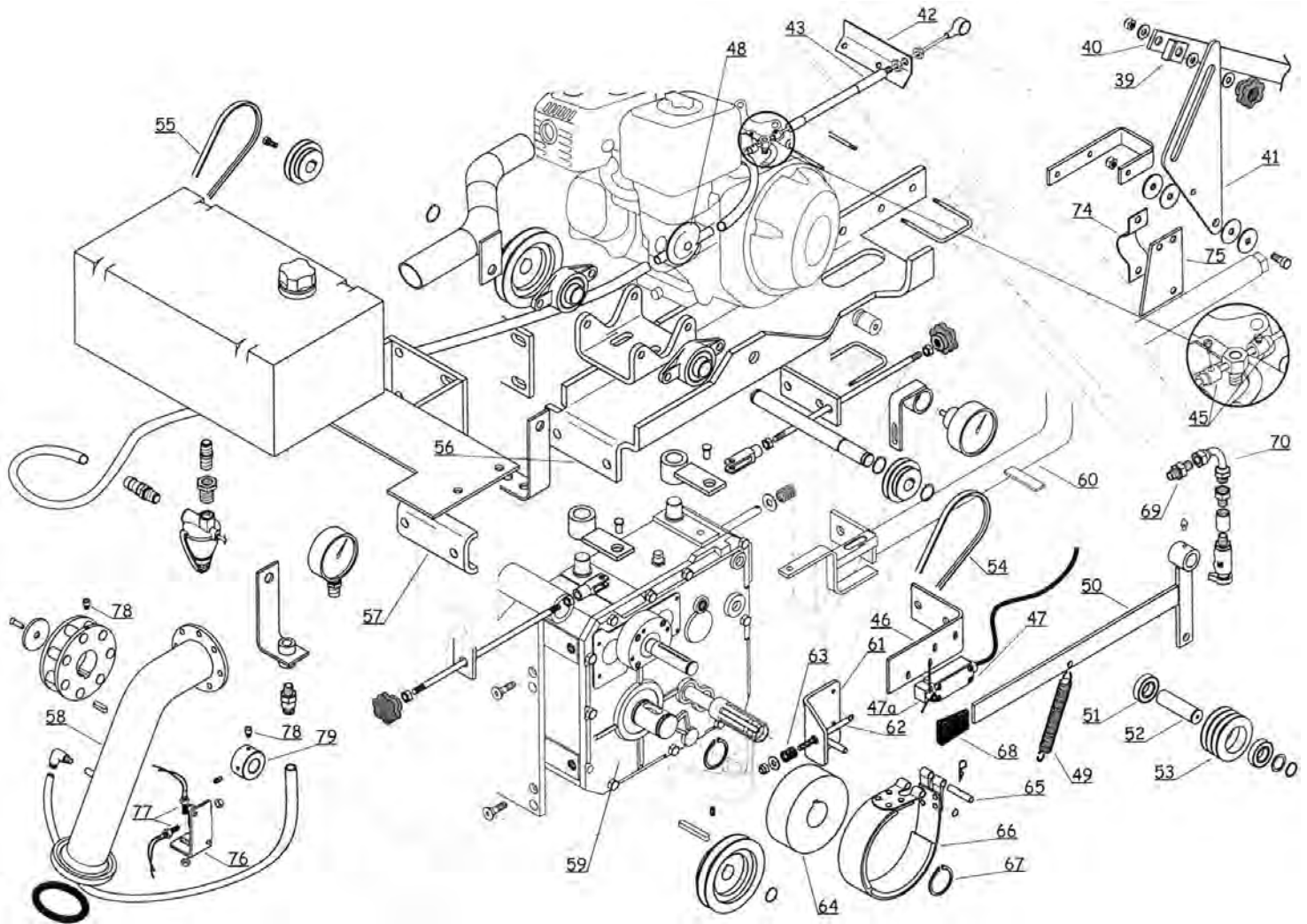
| Item | Part No. | Description                              | U/M | Qty |
|------|----------|--|-----|-----|
| 1    | 02216531 | Body, Guncart w/ Ball Plug Fitting       | Ea  | 1   |
| 2    | 02216540 | Legs Support                             | Ea  | 1   |
| 3    | 02216500 | U-Bolt, M16                              | Ea  | 2   |
| 4    | 02216511 | Leg, Left                                | Ea  | 1   |
| 5    | 02216521 | Leg, Right                               | Ea  | 1   |
| 6    | 02210380 | Wheel Tire Assembly R-14-165             | Ea  | 2   |
| 7    | 02216551 | Wheel 310 x 90                           | Ea  | 1   |
| 9    | 02216550 | Axle, Front Guncart                      | Ea  | 1   |
| 10   | 02099202 | Gasket, 5.75" BCD 4.3 ID                 | Ea  | 1   |
| 11   | 02000185 | Gasket, Riser 5.12" BCD 3-1/2 ID         | Ea  | 1   |
| 12   | 58406430 | Riser Extension 3-1/2 x 12 (SR200)       | Ea  | 1   |
| 13   | 02207150 | Weight, Cart Ballast (2" or 60mm)        | Ea  | 2   |
| 14   | 85040600 | Chain, 3/8 Proof Coil Plated             | Ft  | 3   |
| 15   | 02219030 | Flanged Fitting ST3 Guncart              | Ea  | 1   |
| 16   | 02220770 | Lift Bail, Left ST3 Cart                 | Ea  | 1   |
| 17   | 02220780 | Lift Bail, Right ST3 Cart                | Ea  | 1   |
| 18   | 02219840 | Spindle Assembly, Complete for Flex Body | Ea  | 2   |
| 19   | 58800233 | Seal Ring 4" 6-3/8 OD x 9/16             | Ea  | 1   |
| 20   | 59703120 | Plug, w/ Lever Ball 4"                   | Ea  | 1   |
| 23   | 55070022 | Bolt 10mm x 200mm                        | Ea  | 4   |
| 24   | 55170011 | Nut 10mm Nylock                          | Ea  | 4   |
| 25   | 52353941 | Clevis, Dbl. Cmb.                        | Ea  | 2   |
| 26   | 52354210 | Hitch, Chain                             | Ea  | 1   |

# Engine Drive (Page 1)



| Item | Part No. | Description                         | U/M | Qty | Item | Part No. | Description                              | U/M | Qty |
|------|----------|-------------------------------------|-----|-----|------|----------|--|-----|-----|
| 1    | 58407017 | Engine, Honda 4hp Keyed Sh          | Ea  | 1   | 20   | 02218480 | Plate, Clamp Gas Tank Mount              | Ea  | 1   |
| 2    | 02216720 | Exhaust Pipe ST7, 6                 | Ea  | 1   | 21   | 02216730 | Pulley, 2 Step, 147 & 125mm 20mm Bore    | Ea  | 1   |
| 3    | 02201680 | Retaining Ring E20                  | Ea  | 4   | 22   | 50101460 | Bearing, Flange (20mm)                   | Ea  | 2   |
| 4    | 50207100 | Tank, Gas 6 gal. Plastic w/ Fitting | Ea  | 1   | 23   | 02216560 | Bracket, Jackshaft Bearing-AG400k+       | Ea  | 1   |
| 5    | 58406951 | Hose, Gas 1/4 x 27/64 (per foot)    | Ft  | 3.3 | 24   | 02216571 | Shaft, Jack-Irr. Engine-AG3-4-5-6-7 TAPR | Ea  | 1   |
| 6    | 52548760 | Barb, Hose Br 1/8 NPT x 1/4         | Ea  | 1   | 25   | 02216840 | Gauge Mount Engine Drive St4-5-6-7       | Ea  | 1   |
| 7    | 52547842 | Bushing, Reducing Br 1/4 x 1/8      | Ea  | 1   | 26   | 02216580 | 2 Step Pulley(75mm, 53mm) Set Screw 20mm | Ea  | 1   |
| 8    | 52508981 | Nipple, Close BR 1/8 Schd. 40       | Ea  | 1   | 27   | 02216590 | 2 Step Pulley(75mm, 53mm) Set Screw 19mm | Ea  | 1   |
| 9    | 27749190 | Filter, Glass Bowl Fuel             | Ea  | 1   | 28   | 02216820 | Tank Mount Engine ST4-5-6-7              | Ea  | 1   |
| 10   | 52549153 | FTG, TB STG 1/4 MNPT x 5/16 TB      | Ea  | 1   | 29   | 02220730 | Speed Rod ST3                            | Ea  | 1   |
| 11   | 25249392 | Tube, Synflex 5/16 OD (per foot)    | Ft  | 2   | 30   | 02201200 | Tachometer Asm, 0-400 Ft./Hr. A-Series   | Ea  | 1   |
| 12   | 52549152 | FTG, TB 90 1/4 MNPT x 5/16 Tube     | Ea  | 1   | 31   | 02211161 | Pinion, 35BR 16Pin 124OD Z7-AR5/A1       | Ea  | 1   |
| 13   | 58606750 | Gauge, Press 0-300                  | Ea  | 1   | 32   | 02218500 | Speed Rod Support Plate                  | Ea  | 1   |
| 14   | 02203910 | Hand Wheel                          | Ea  | 2   | 33   | 02218510 | Tach Fix                                 | Ea  | 1   |
| 15   | 02220720 | Disengage Rod ST3                   | Ea  | 1   | 34   | 02214100 | U-Bolt, M10                              | Ea  | 3   |
| 16   | 02216910 | Plate, Shifter Mount                | Ea  | 1   | 35   | 02218520 | Compensation Triangle Support            | Ea  | 1   |
| 17   | 02218450 | Clevis Rod End                      | Ea  | 2   | 36   | 02218530 | Washer 8mm x 50mm x 5mm                  | Ea  | 2   |
| 18   | 02218460 | Disengage Lever                     | Ea  | 2   | 37   | 02099049 | Washer 8mm x 50mm x 5mm                  | Ea  | 2   |
| 19   | 02218471 | Exhaust Pipe Support ST4,5,6        | Ea  | 1   | 38   | 02218540 | Washer                                   | Ea  | 1   |

# Engine Drive (Page 2)



| Item | Part No. | Description                      | U/M | Qty | Item | Part No. | Description                     | U/M | Qty |
|------|----------|----------------------------------|-----|-----|------|----------|---------------------------------|-----|-----|
| 39   | 02218550 | Hand Wheen 60 x 8mm              | Ea  | 1   | 57   | 02218581 | Clamp Plate, Engine Support     | Ea  | 1   |
| 40   | 02218033 | Honda Engine Regulation Rod ST3  | Ea  | 1   | 58   | 02216781 | Elbow, St3-4 Engine             | Ea  | 1   |
| 41   | 02218560 | Compensation Triangle            | Ea  | 1   | 59   | 50201902 | Gearbox, Bima GI10 (Eng.Dr.)    | Ea  | 1   |
| 42   | 02216790 | Cable Mount Engine Dr.           | Ea  | 1   | 60   | 02220750 | Stop Rod ST3 Engine             | Ea  | 1   |
| 43   | 02216900 | Cable 7mm x 190mm M8             | Ea  | 1   | 61   | 02214371 | Plate, Brake Bima- ST 3-4-5-6-7 | Ea  | 1   |
| 44   | 02218570 | Accelerator Screw (not shown)    | Ea  | 1   | 62   | 02214380 | Rod, Brake Bima- AR4-5-6-7      | Ea  | 1   |
| 45   | 02218571 | Cable Stop                       | Ea  | 2   | 63   | 02216400 | Spring C98                      | Ea  | 1   |
| 46   | 02220740 | Switch Mount ST3                 | Ea  | 1   | 64   | 02214340 | Drum, Brake Bima - AR4-5-6-7    | Ea  | 1   |
| 47a  | 02216760 | Switch                           | Ea  | 1   | 65   | 02214410 | Pin, Brake Bima AR4-5-6-7       | Ea  | 1   |
| 47b  | 02216761 | Sensor Head                      | Ea  | 1   | 66   | 02214350 | Band Brake Bima AR4-5-6-7       | Ea  | 1   |
| 48   | 50404620 | Fuel Filter 1/4" Clear w/ Clamps | Ea  | 1   | 67   | 02205340 | Snap Ring E35                   | Ea  | 1   |
| 49   | 02203180 | Spring Belt Tightner             | Ea  | 1   | 68   | 02211250 | Hand Grip                       | Ea  | 1   |
| 50   | 02216630 | Belt Tightner                    | Ea  | 1   | 70   | 50801830 | Drain Kit for GX120-GX160       | Ea  | 1   |
| 51   | 02203440 | Bearing, 6005-2RS                | Ea  | 1   | 74   | 02000164 | Retainer                        | Ea  | 1   |
| 52   | 02206530 | Shaft, Belt Idler                | Ea  | 1   | 75   | 02220760 | Plate for Retail                | Ea  | 1   |
| 53   | 02206540 | Pulley Idler 3 Groove            | Ea  | 1   | 76   | 02220250 | Mount Sensor Taky               | Ea  | 1   |
| 54   | 59904271 | Belt Ax 31                       | Ea  | 1   | 77   | 02220240 | Sensor Taky                     | Ea  | 1   |
| 55   | 59904260 | Belt Ax 33                       | Ea  | 1   | 78   | 02220220 | Magnet for Taky                 | Ea  | 1   |
| 56   | 02218580 | Engine Support                   | Ea  | 1   | 79   | 02220230 | Magnet Mount, Gearbox Taky      | Ea  | 1   |



# Notes

