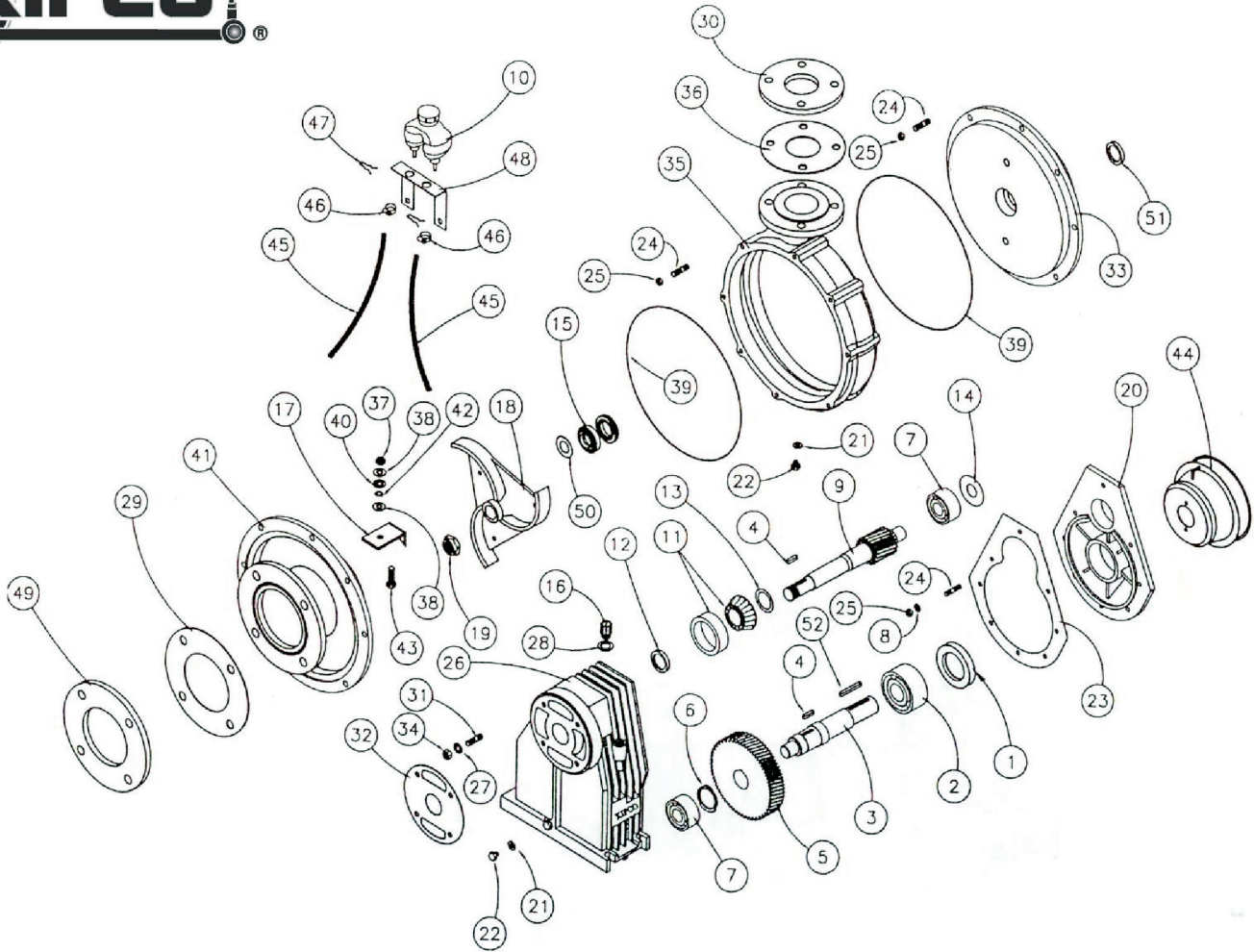




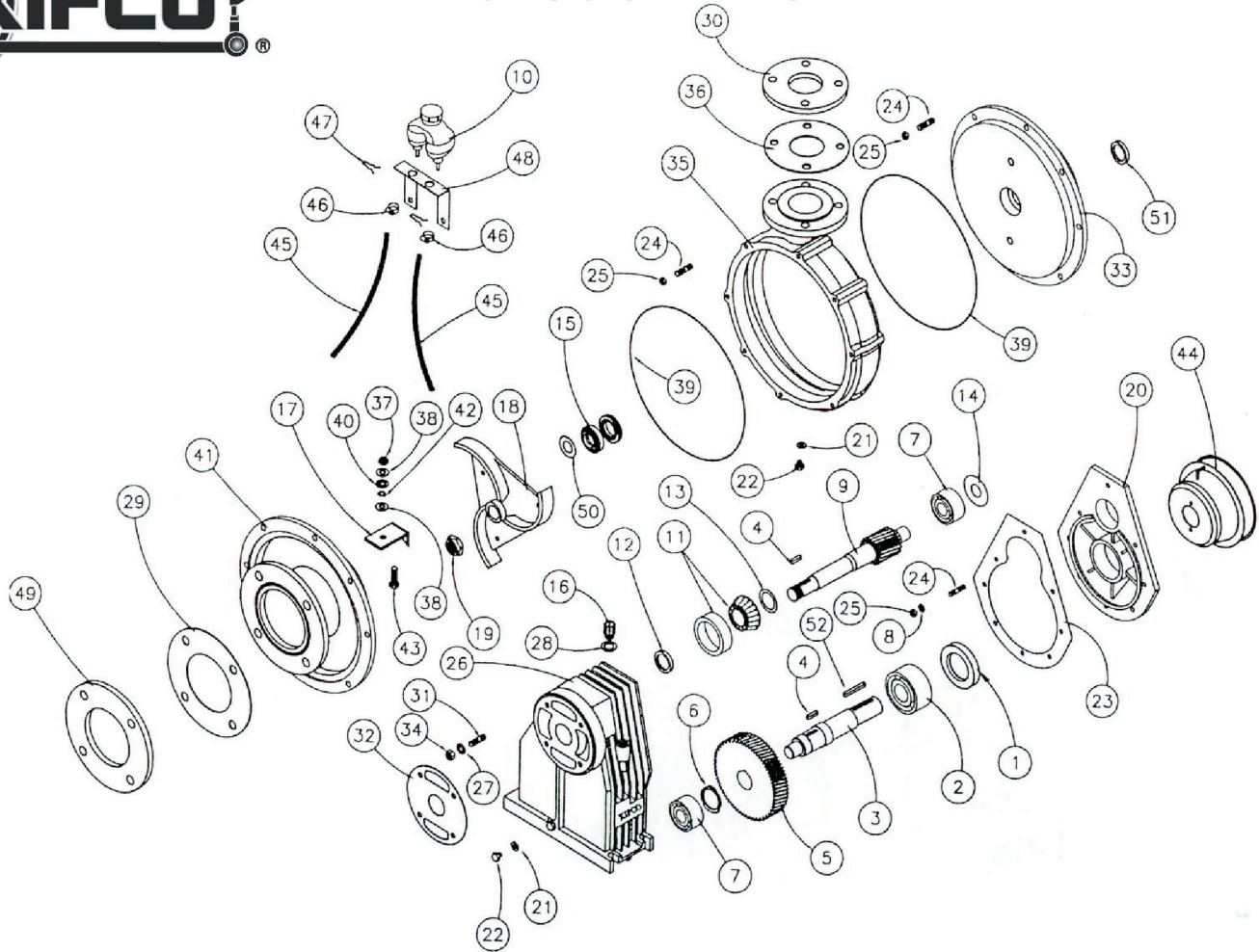
FRT94/35 ENGINE



No.	Part Number	Description	Qty.
1	022-0056-0	Seal, Oil 45mm x 62mm x 10mm	1
2	022-0069-1	Double Row Ball Bearing Fafnir # 5209K	1
3	022-0070-0	2000 RPM (Input Shaft)	1
4	040-3143-4	Key, 8mm x 7mm x 35mm Round Ends	1
5	022-0071-2	Drive Gear (2000 RPM Diesel) 42 Teeth	1
6	022-0058-0	Retaining Ring	1
7	022-0072-0	Bearing, 5306K	2
8		Washer, Lock 10mm	24
9A	022-0074-2	Impeller Shaft Gear 27 Tooth (2000 RPM Diesel)	1
9B	022-0074-4	Impeller Shaft (2000 RPM Diesel)	1
10	022-0605-0	Plastic Bottle With Cap	1
11	022-0075-1	Bearing	1
12	022-0060-0	Oil Seal 40mm x 62mm x10mm	1
13		Machine Bushing (When Needed)	1
14	598-0024-0	Shim, 2"ID x 2-3/4" OD x .020" Thick (When Needed)	1
15	022-0055-0	Mechanical Seal	1
16	022-0064-1	Oil Filter Cap	1
17	594-0435-1	Knife, (2000 RPM)	1
18		Impeller Full Size 13.687" Dia.	1
18A	022-0082-3	Impeller (2000 RPM Diesel) Casting #9405	1
18B	022-0082-5	Impeller (used on FRT 2000) Skimmed 12.32 Dia	1
19	022-0083-1	Impeller Nut Left Hand Thread (used on 2000 RPM)	1
20	022-0084-0	Gearbox Cover	1
21	022-0085-0	Sealing Washer	6
22	022-0086-0	Oil Level Plug	6
23	022-0061-0	Gearbox Gasket	1
24	022-0062-1	Stud 12-1.75mm x 44mm	24



FRT94/35 ENGINE



No.	Part Number	Description	Qty.
	25	022-0092-0 Nut, 12-1.75mm	24
	26	022-0088-0 Gearbox Housing	1
	27	584-0175-1 Washer, Lock 10mm	1
	28	022-0064-0 Washer, Oil Fill	1
	29	593-0181-1 Gasket, 4 Hole 8.3BCD	1
	30	040-5462-8 Flange, 65mm Heavy 5.72 BCD	1
	31	022-0062-1 Stud 12-1.75mm x 42mm	1
	32	022-0066-0 Gasket	1
	33	022-0091-1 Bell Housing	1
	34	022-0092-0 Nut, 12-1.75mm	1
	35	022-0093-1 Pump Volute Case	1
	36	593-0180-0 Gasket, 4 Hole 5.72 BCD	1
	37	552-0501-0 Nut Jam Nylock, 1/2-13NC	1
	38	Washer, Flat 1/2"	1
	39	022-0068-1 O-ring 14" Id x 1/8 Cross Section Minor Rubber co # 0-2574	2
	40	598-0022-0 Washer, Sealing 1/2" For Nuts & Washers	1
	41	022-0097-1 Suction Cover	1
	42	586-0252-6 O-Ring, 11/16" Od x 1/2" ID x 3/32"	1
	43	Bolt, 1/2-13 NC x 1-1/2" Long Grade 5	1
	44	502-0095-1 Shield, Pto	1
	45	022-0693-0 Tube. Plastic	2
	46	030-1651-6 Clamp, Hose	12
	47	022-0667-0 Clip	2
	48	598-0043-0 Bracket	1
	49	Flange	1
	50	598-0025-0 Shim, 42mm x 30mm x .3mm (When Needed)	1
	51	598-0023-0 Seal, 35mm x 50mm x 8mm	1
	52	022-0604-0 Key For 2000 Shaft	1