

PARTS MANUAL

Models T/E180 & T/E200S

Serial Numbers
T/E180 - 510,388 +
T/E200S - 510,588 +

700 South Schrader Avenue

P.O. Box 290

Havana, IL 62644

Phone (309)543-4425

Fax (309)543-4945

www.kifco.com

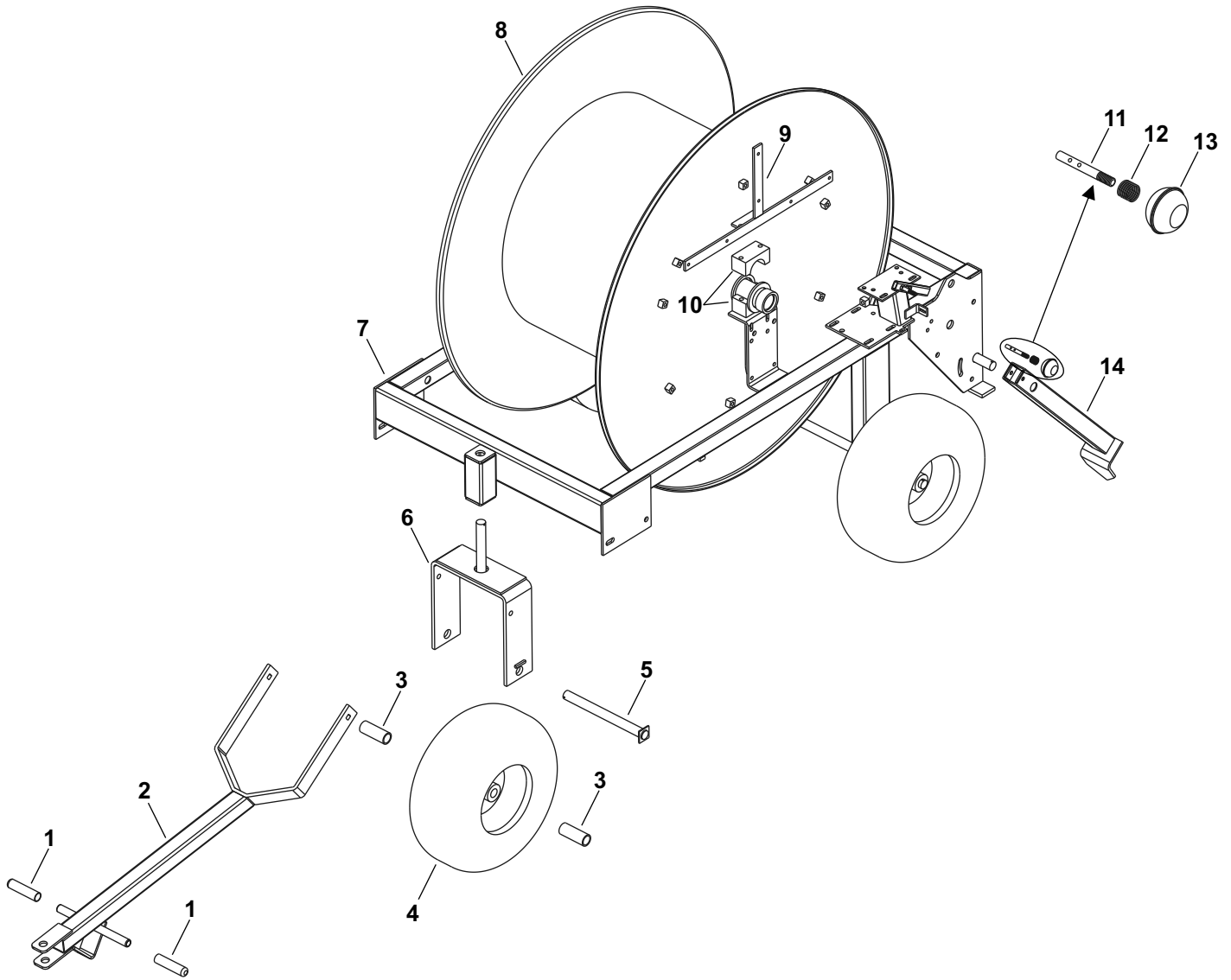
Copyright © June 4th, 2018 by Kifco Inc.

Page Index

DESCRIPTION	PAGE(S)
Main Frame Group	3 - 4
Spool Hose	4
Drive Train Group	5 - 7
Turbine Group	8 - 9
Level Wind Group	10
Shut Down Group	11
Tube Rider	11
Gun Cart Group	12
Gun Cart Valve Plumbing Circuit	13
Guard Group	14
Engine Drive Group	15 - 16
5.5 HP Booster Pump	17
9 HP Booster Pump	18
Booster Pump Components	19
Fuel Tank & Components	20
Notes	21

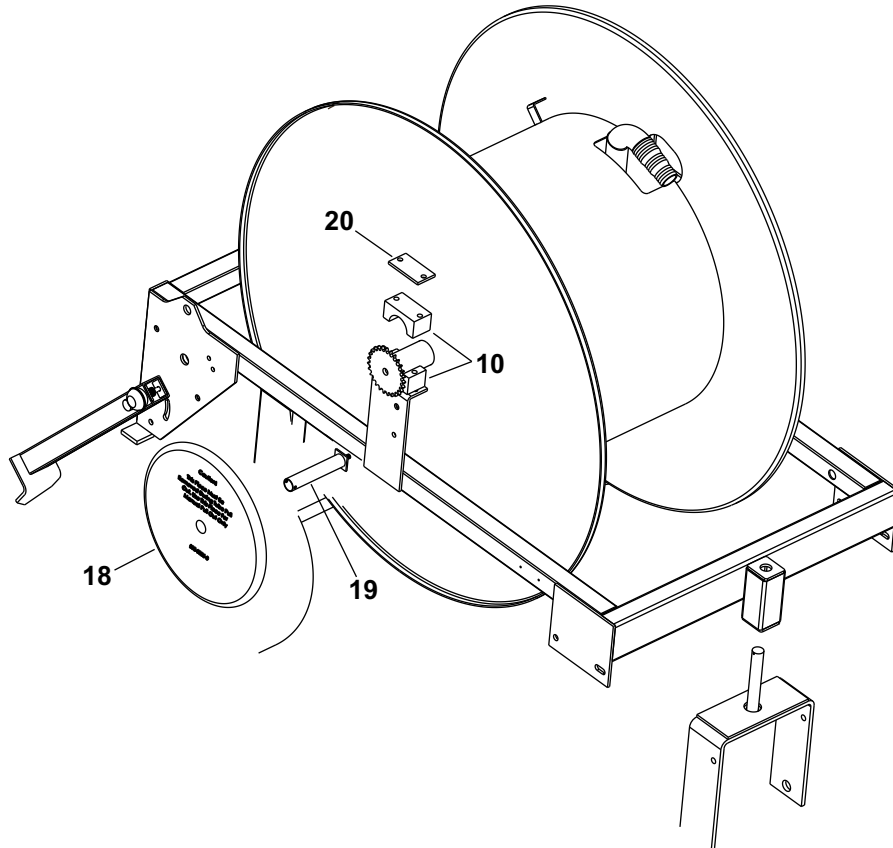
Items such as common fasteners, grease fitting, and other small parts easy to acquire locally are not listed

Main Frame Group

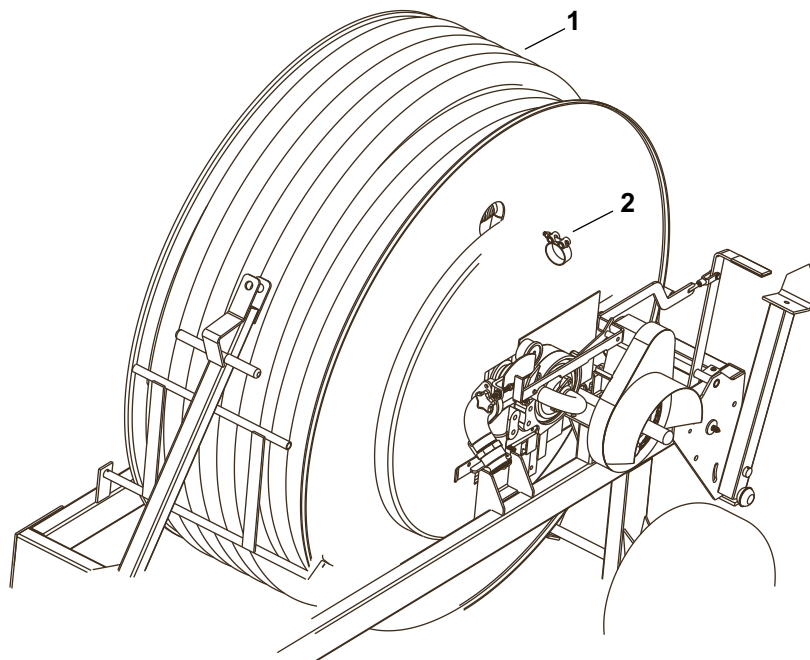


Item	Part Number	Description	Qty
1	58702520	GRIP,BLACK MOCAP.812X4.0"	2
2	50303210	TONGUE ASM - WRB3C - WRT5C, PCGY	1
3	50303862	SPCR,FRNT AXLE(3.36")-WRT4C/5C PL	2
4	59903941	WHEEL ASM,TIRE,RIM,BUSH 18X8.5X8X1"	3
5	50303151	AXLE ASM, FRONT-WRB3C THRU WRT5C	1
6	50303540	YOKE ASM, FRNT- B130C - T200C, PCGY	1
7	50401700	FRAME ASM, MAIN - WRT4C PCGY	1
8	50401601	SPOOL ASM, PE TUBE - WRT4C 27" PCGR	1
9	50601260	SHIELD BRKT TOP T/E5/5 PCGY	1
10	50302191	BEARING,HALF 2.25" (UHMW)-WRT4C/5C	4
11	50401900	PIN, STABILIZER LOCK-WRT4C/5C PL	2
12	50402150	SPRING, COMP 3/4X7/8 X.052 PLATED	2
13	30249150	KNOB,BALL 3/8-16 FEMALE THREADS	2
14	50401740	LEG ASM, STABILIZR - WRT4C/5C PCGY	2

Main Frame Group cont. & Hose

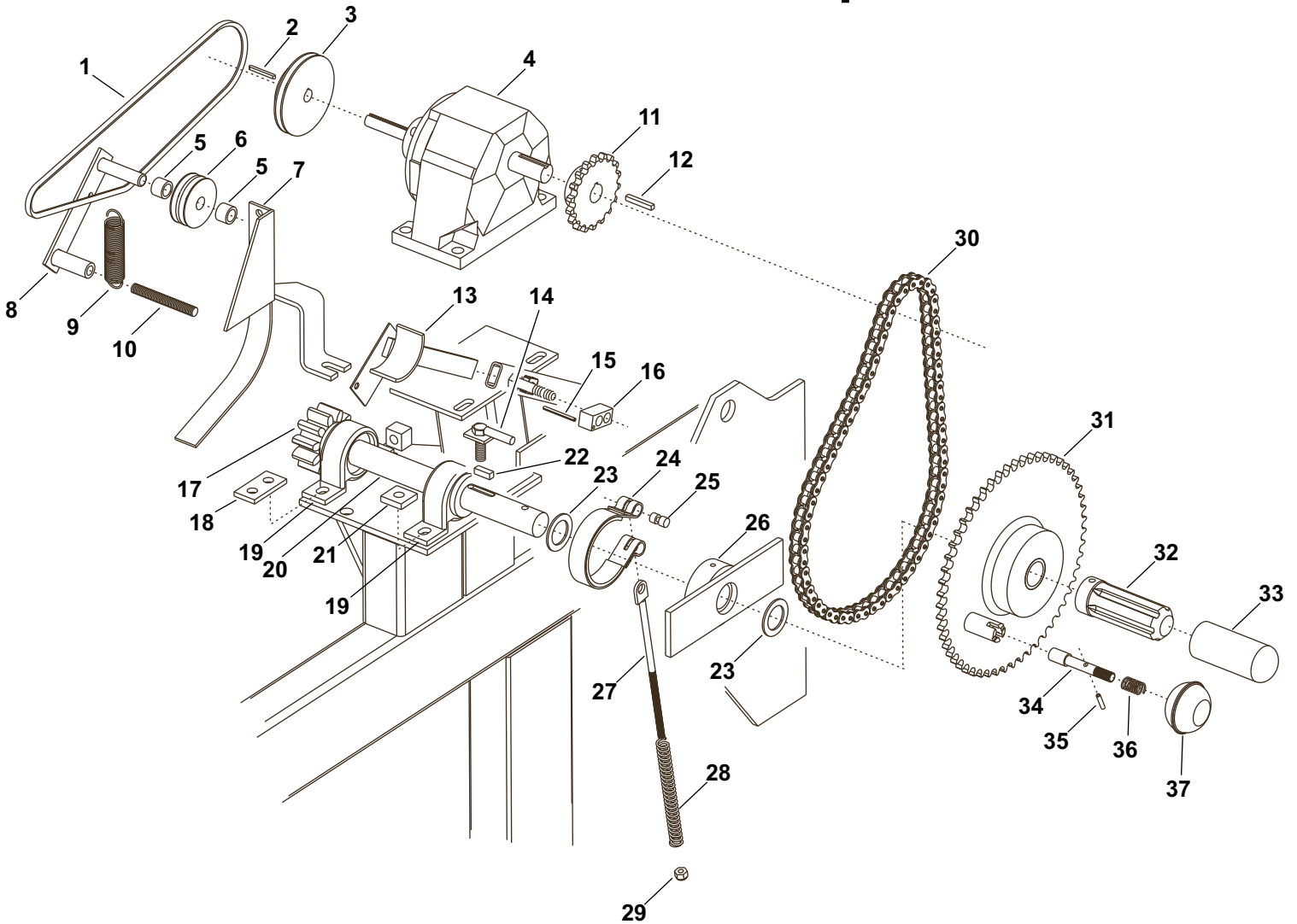


Item	Part Number	Description	Qty
18	50200050	WHEEL, PE TUBE HAND WIND	1
19	50201490	BRACKET ASM, HAND WHEEL	1
20	50305470	PLATE, BEARING - WRT4C/5C PCGY	1
10	50302191	BEARING, HALF 2.25" (UHMW)-WRT4C/5C	4



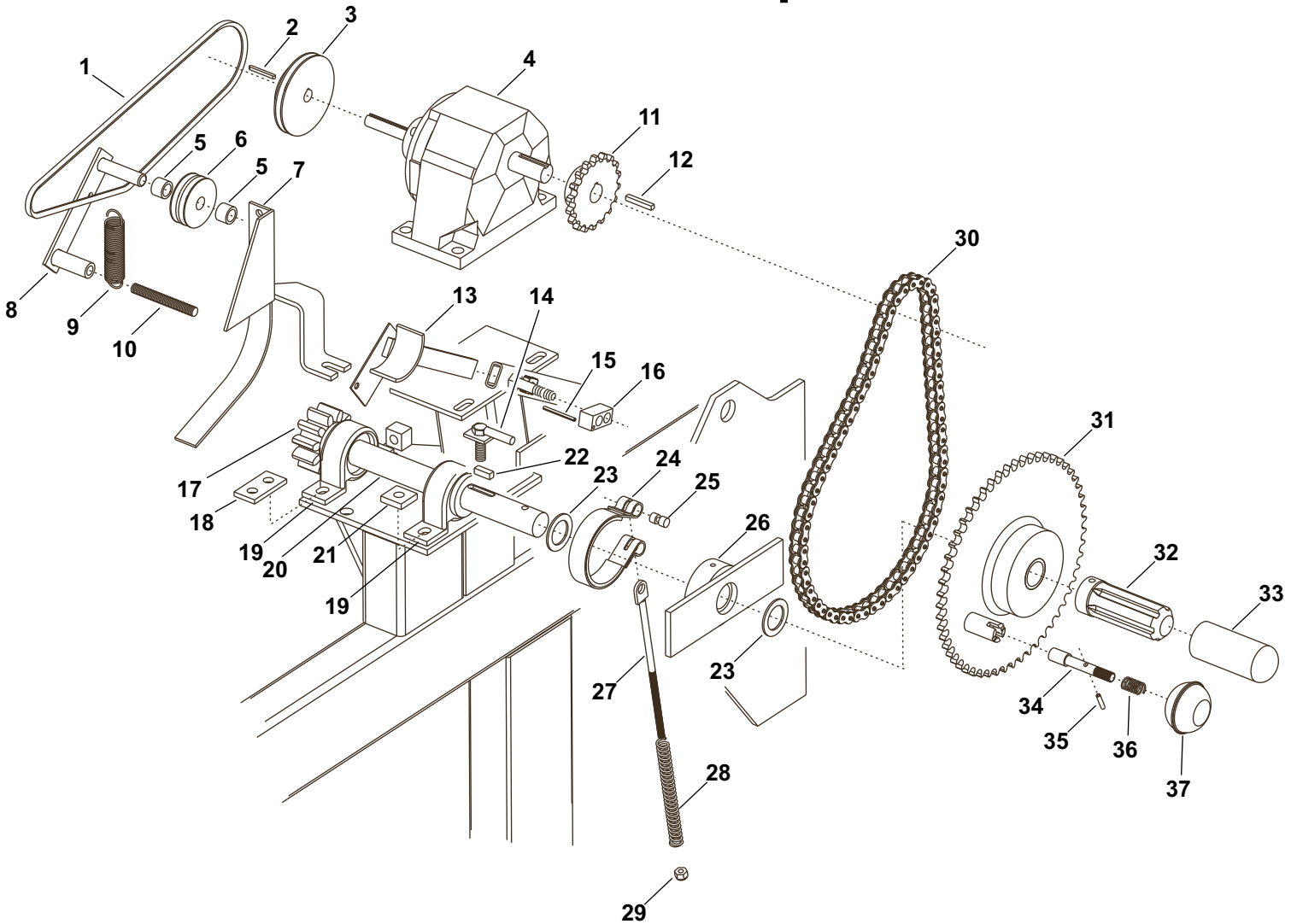
Item	Part Number	Description	Qty
1	50100350	TUBE, PE 55MM 1.8 X 380FT	1
1a	50100341	TUBE, PE 58MM 2.0ID X 320FT	1
2	03019143	SUPRA CLAMP 51MM-55MM (180 machine)	1
2a	03019160	SUPRA CLAMP 59MM-63MM (200S machine)	1

Drive Train Group



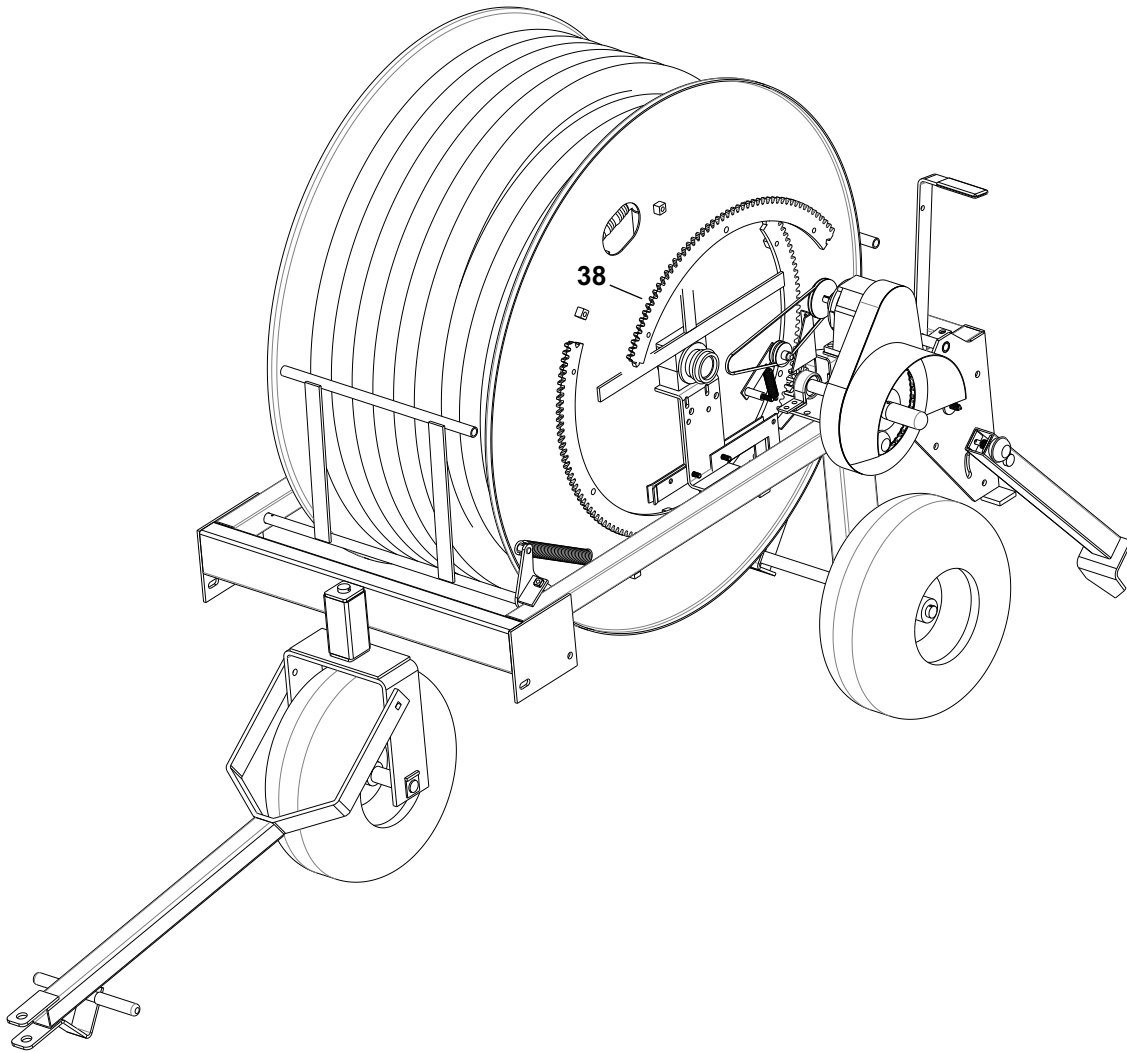
Item	Part Number	Description	Qty
1	50400941	BELT, 2L31	1
2	50102590	KEY 1/8 SQ. X 1-1/4 RD END	1
3	50400780	PULLEY,2-1/2,3-1/4	1
4	50008501	GEARBOX 50-1 B TURB. LARGE 2STAGE	1
5	50500050	SLEEVE, IDLER	2
6	50400800	IDLER, 2L BELT(TWO GROOVE) PLASTIC	1
7	50601100	PINION GEAR SHIELD T/E5/5 PCGY	1
8	50402651	IDLER ASM, 2L BELT-WRT4C/5C PL	1
9	50100260	SPRING, TENS 3/4 OD X .062W 3.5"L	1
10	50102791	STUD, 3/8-16 X 3.0 ALL THREAD	1
11	88049325	SPRKT,40B18 3/4 BORE	1
12	58504460	KEY 3/16 X 1-1/4	1
13	50005800	IDLER, CHAIN. PCGY	1
14	50600170	BRAKE MT. WRT4/5C PLATED	1
15	50403320	PIN,SPRING 1/8" X 1-1/2 SS	1
16	50402350	PAWL, ANTI REVERSE - WRT4C/5C	1
17	50304110	SHAFT ASM, PINION - WRT4C/5C	1
18	50600960	SPRING MT. PLATE, PCGY	1
19	58609830	BEARING,PLLW BLCK 1"	2
20	50600410	GRIP, VINYL 1"X5-1/16" OAL BLACK	1
21	50405721	WASHER, BEARING,HOLD 1 X 1 SQ X 1/4	2
22	56316621	KEY 1/4 X 1/4 X 3/4	1
23	58505310	BUSH,MACH 1-1/2X1X14GA	2

Drive Train Group cont.



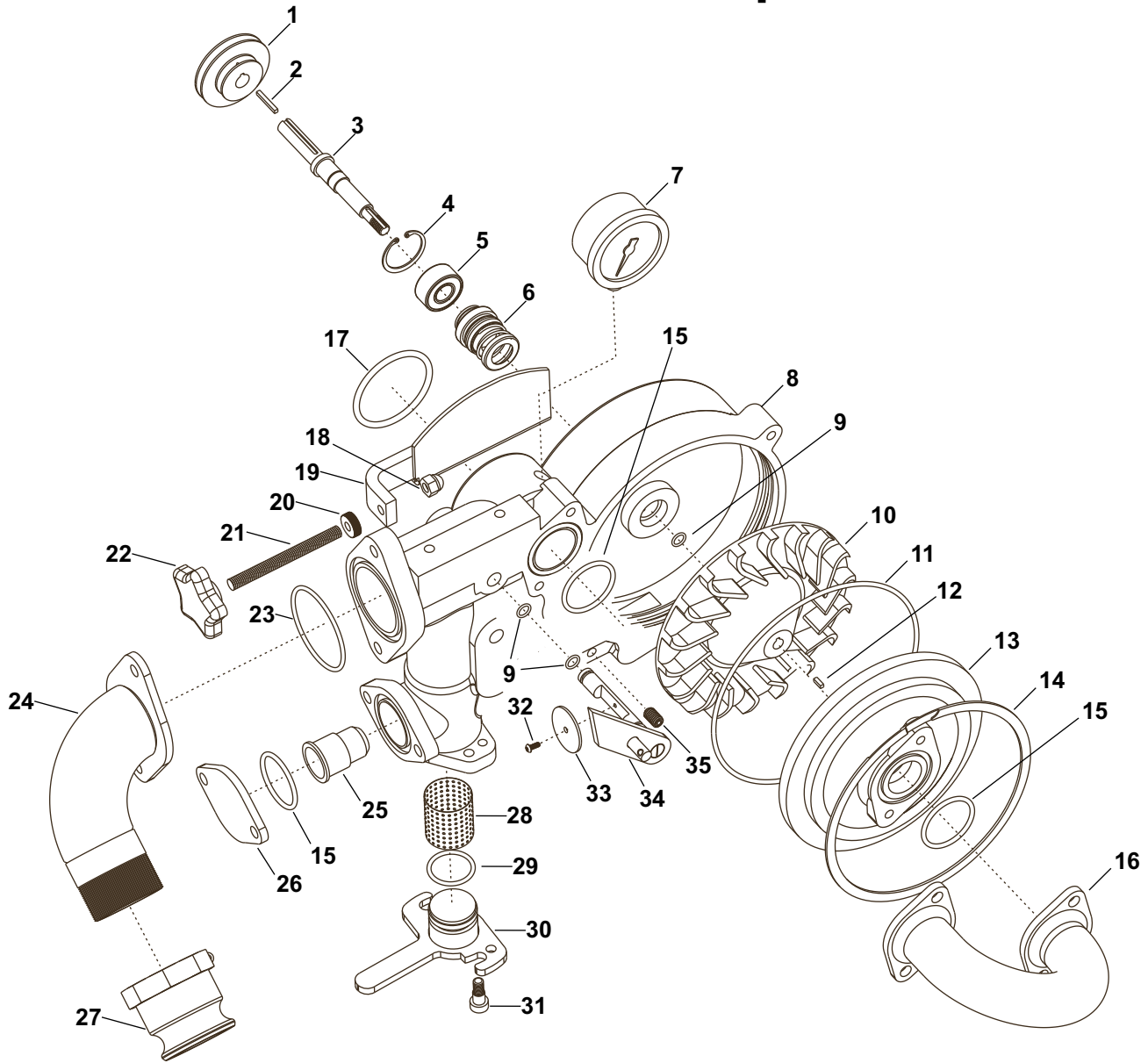
Item	Part Number	Description	Qty
24	50006220	BRAKE BAND - WRT3/4/5, & 2G,4C/5C	1
25	50104140	PIN,BRAKE BAND RET. WRT	1
26	50003160	BRAKE DRUM, CLUTCH DOG	1
27	50001851	SCREW ASM, BRAKE ADJUST-WRT4C/5C PL	1
28	50104331	SPRING, COMP. .075W X .5 OD X 5.0"	1
29		NUT,SS 1/4 NYLOC	1
30	50802950	CHAIN, #40 70 ROLLERS	1
31	50002160	SPROCKET ASM, CLUTCH-WRT3/4/5 & C	1
32	50003180	PTO SPLINE ADAPTOR	1
33	50303682	CAP, BLACK MOCAP 1.375" X 3" FE	1
34	59801300	CLUTCH DOG PIN PL	1
35	58505911	PIN,SPRING 5/32 X 3/4	1
36	50006210	SPRING, COMP .50"ODX.90LNG.046	1
37	30249150	KNOB,BALL 3/8-16 FEMALE THREADS	1

Drive Train Group cont.



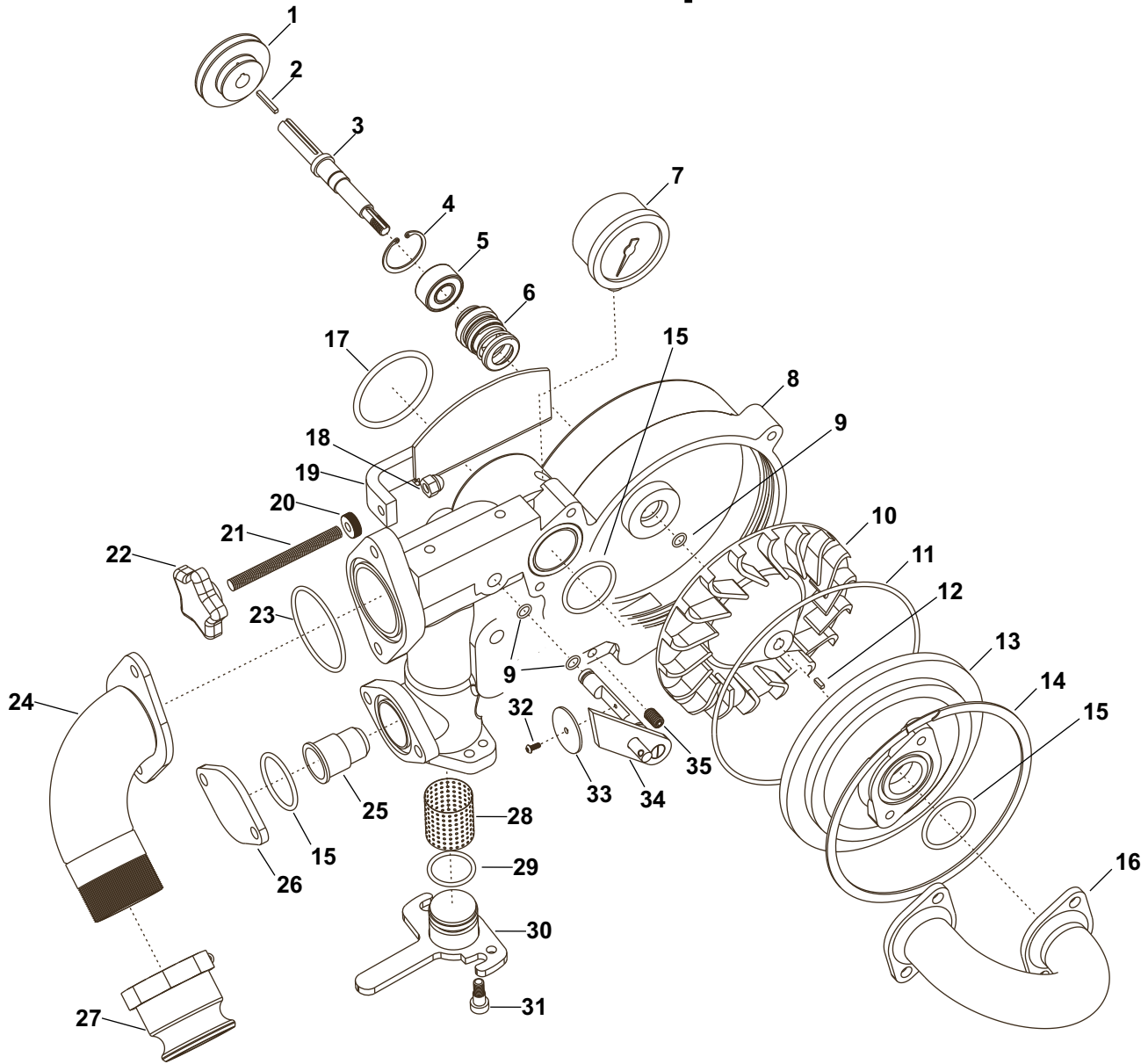
Item	Part Number	Description	Qty
1	50004871	GEAR SEGMENT, PE SPOOL - WRT4/5C	3

Turbine Group



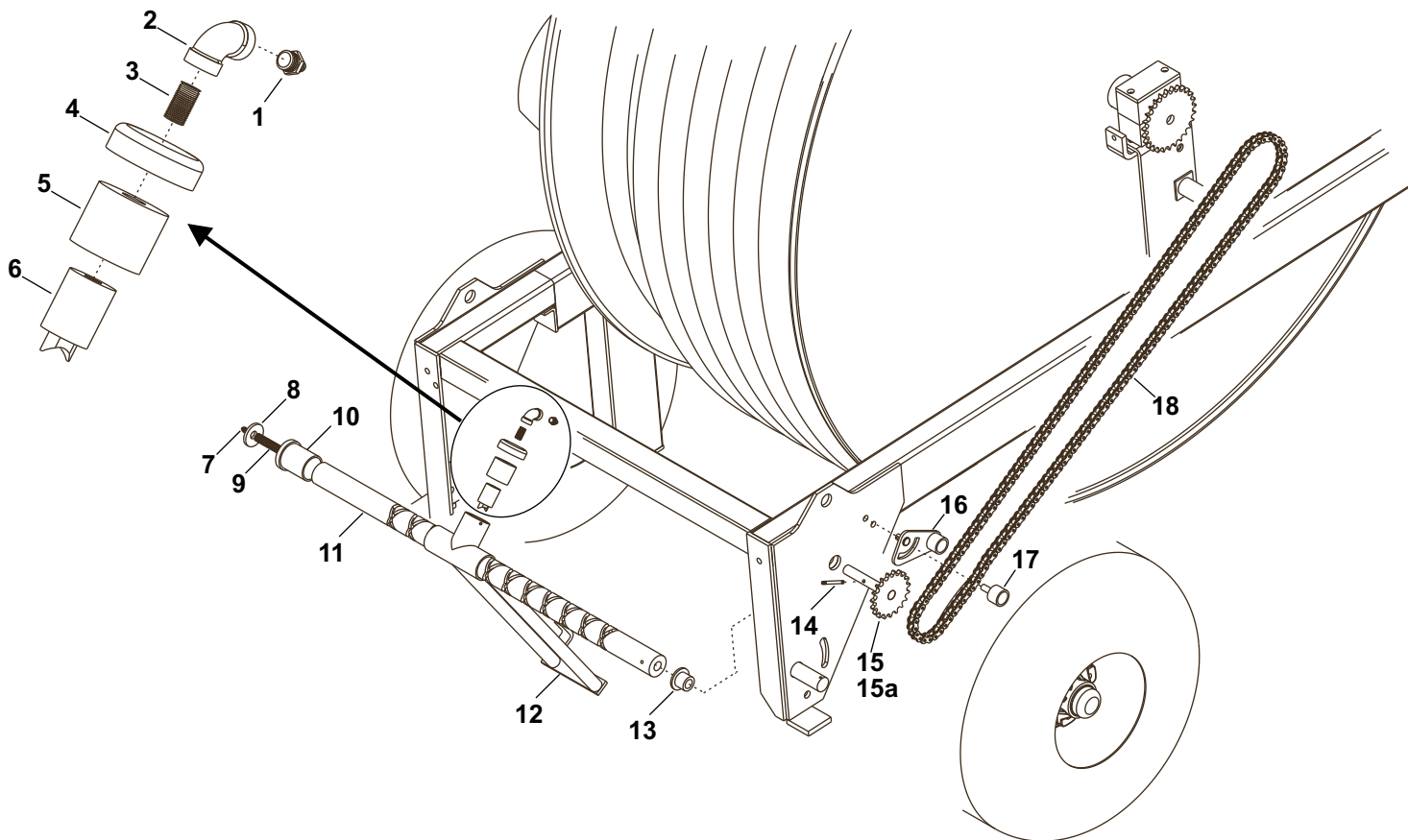
Item	Part Number	Description	Qty
1	50400781	PULLEY, TWO STEP 1.5,2.5	1
2	56348741	KEY 1/8 X 1/8 X 1	1
3	50008210	SHAFT, RUNNER TURB. B-MACHINE	1
4	50008720	INTR RETAINING RNG 1.526 FREE OD	1
5	50008900	BEARING,BALL 5202 2RS	1
6	46549131	SEAL,MECH 1/2"ID O-RING SEAT	1
7	58606740	GAUGE, PRESS 0-160	1
8	50500011	TURBINE MANIFOLD C SERIES MACHINED	1
9	50008170	O-RING, .364 ID .070 CS X -.012	3
10	50001291	RUNNER, TURBINE-B-SERIES(MACHINED)	1
11	50002550	O-RING 7.234 ID X .139	1
12	50201660	KEY, 1/8 SQ X 3/8" LONG SQ END	1
13	50001131	COVER, TURBINE -B-SERIES (MACHINED)	1
14	50006250	RING, INT.SS RETAINING MEDIUM 7.25"	1
15	50008840	O-RING, 1-5/8 ID X .139 CS	3
16	50304200	TUBE ASM, DISCHARGE - WRT4C/5C	1
17	50301880	O-RING 2-7/8 X2-1/2 X3/16	1
18	58609771	NUT,ACORN 3/8 SOLID SPEC	1
19	50402710	SPEED CONTROL WRT4/5C PCGY	1
20	50403280	NUT, KNURLED LOCKNUT 3/8-16	1

Turbine Group cont.



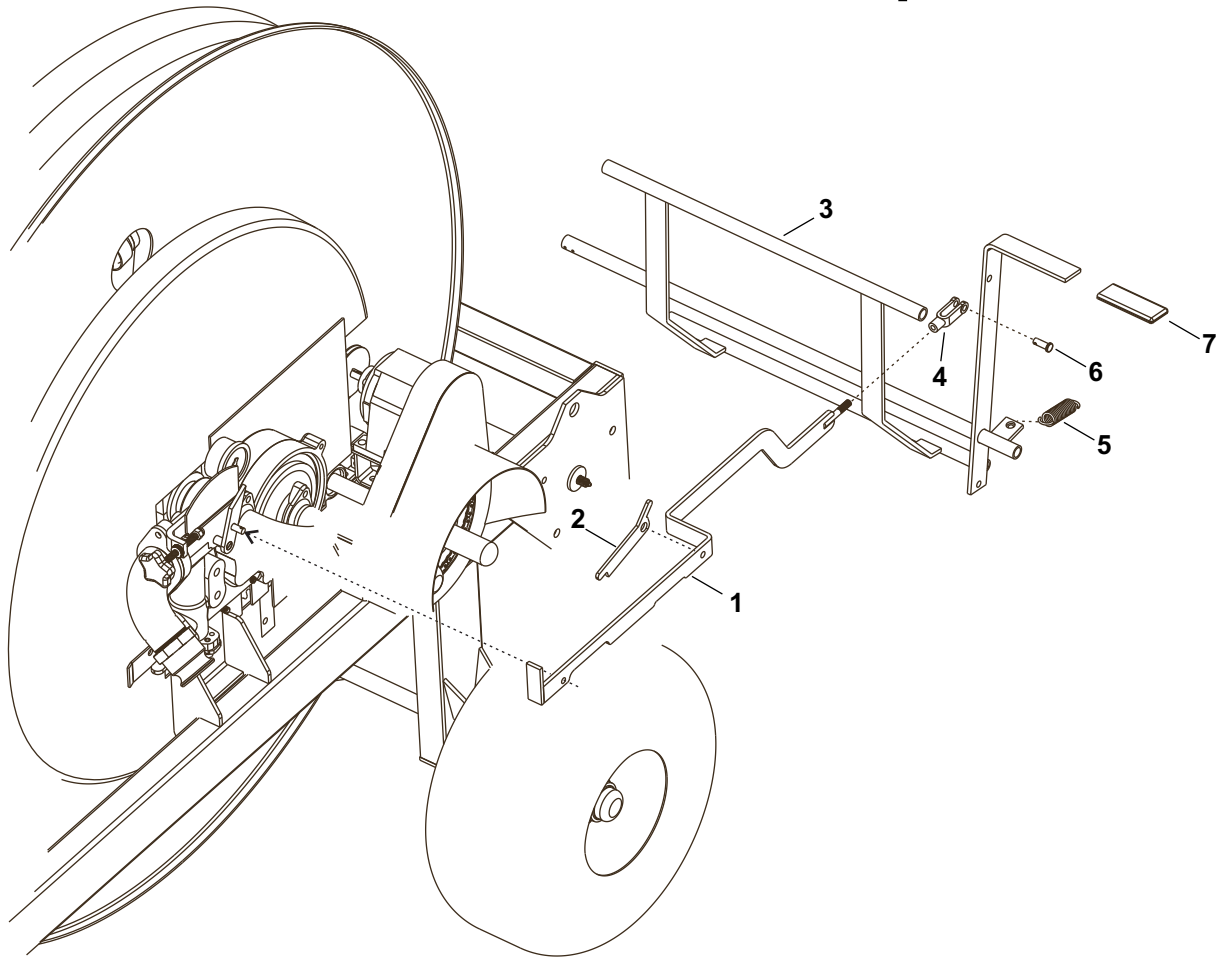
Item	Part Number	Description	Qty
21	50403140	STUD 3/8"-16 THREAD, 4" LENGTH	1
22	50403130	KNOB, STAR 3/8-16 THREADED INSERT	1
23	50500400	O-RING, 2-5/8 X 2-7/8 X 1/8"	1
24	50500100	INLET ELBOW. PCGY	1
25	50308641	NOZZLE,9/16" TURB INLET-WRT4/5C	1
26	50500112	CAP, FLANG NO HOLE 2.8 BCD. PCGY	1
27	58701010	CMLK,A MA2X2FNPT	1
28	50304380	SCREEN, TURBINE MANIFOLD-WRT4/5C	1
29	50500390	O-RING, 1-1/4 X 1-1/2 X 1/8"	1
30	50500090	FILTER CAP PL	1
31	50500410	SHOULDER BOLT 3/8" LONG DIA, 3/8SS	1
32	50403900	SCREW SS BUTTON HEAD 6-32 X 3/8" AL	1
33	50105321	WASHER,1-1/2 OD 3/16 ID 14GA.	1
34	50304350	SHAFT ASM, BYPASS - WRT4C/5C	1
35	56248531	SCREW,SET CUP 3/8-16X5/8	1

Level Wind Group



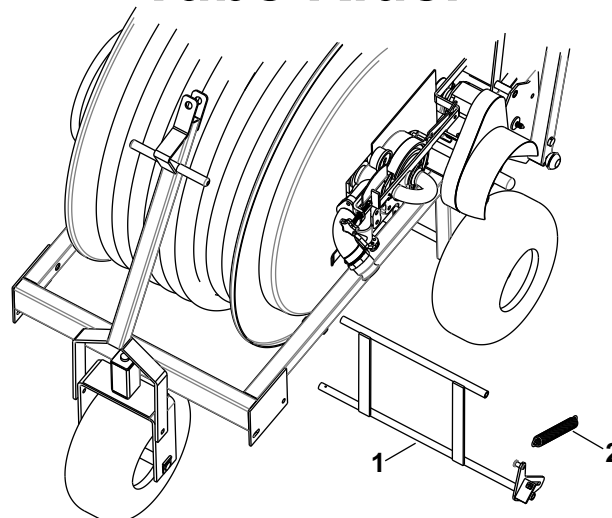
Item	Part Number	Description	Qty
1	53848441	ZERK,STRAIGHT 1/8NPT	1
2	52540345	ELBW,COMM GALV 1/8X90	1
3	52508981	NPPL,CLOSE BR 1/8	1
4	50303680	CAP, BLACK MOCAP 1.75" X 0.5" FE	1
5	50303350	SLEEVE,LEVELWIND KNIFE (UHMW)	1
6	50302320	KNIFE, LEVELWIND - WRB2C/3C/T4C/5C	1
7	53817440	ZERK,STRAIGHT1/4-28X17/32	1
8	50405220	WASHER, CUPPED PL	1
9	50500700	STUD, LEVELWIND GREASING	1
10	50501080	SLEEVE, LEVELWIND -WRT4C/5C	1
11	50303384	SCREW,STEEL LVLWND-WRB3/T4/T5C 5/8"	1
12	50303661	FORK ASM, LEVELWIND - WRT4/5C PCGY	1
13	50302412	BSHNG,FLANGE .625IDX1X1.5 (UHMW)	1
14	50406100	STUD, LEVELWIND SHEAR - WRB2/3/4/5C	1
15	50405251	SHAFT ASM, LEVELWIND 20T - (180 machine)	1
15a	50405263	SHAFT ASM, LEVELWIND 19T -(200 machine)	1
16	50405820	IDLER, WRT4/5C LEVELWIND CHAIN PL	1
17	50405830	IDLER,BOLT WRT4/5C LEVELWIND PL	1
18	50405900	CHAIN, #40 138 ROLLERS	1

Shut Down Group



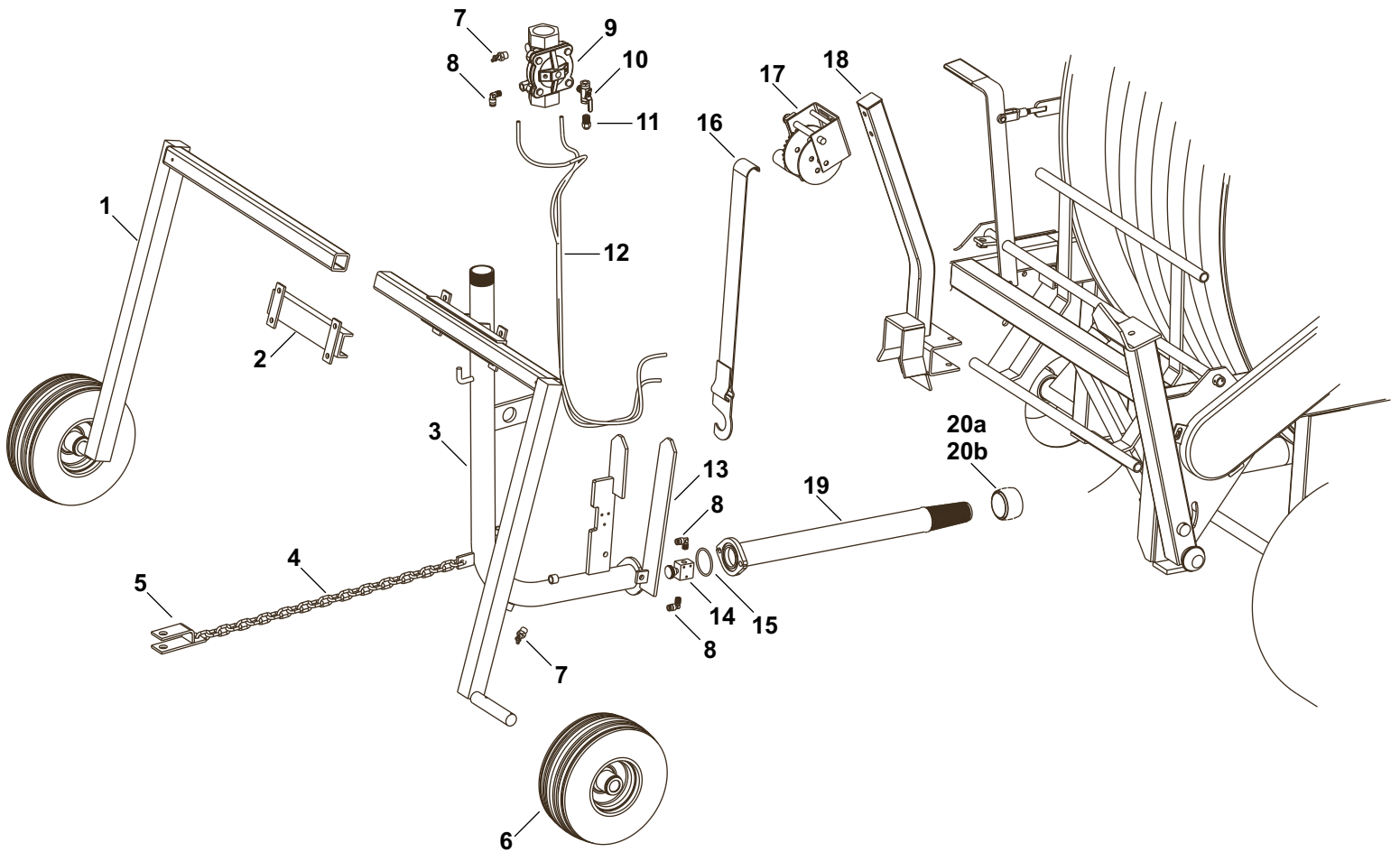
Item	Part Number	Description	Qty
1	50402681	LINK ASM, SHUT OFF - WRT4C PCGY	1
2	50400980	HOLD OUT STOP WRT4/5C	1
3	50402120	SHUT OFF BAR WRT4/5C PCGY	1
4	50401940	YOKE END, 3/8-24 THREAD	1
5	45048583	SPRING TNSN 7/8X3.62X5/8	1
6	55848560	PIN,CLEVIS 3/8 X 1	1
7	50403160	CAP, BLACK MOCAP 1-1/2"X1/4"X4.0"	1

Tube Rider



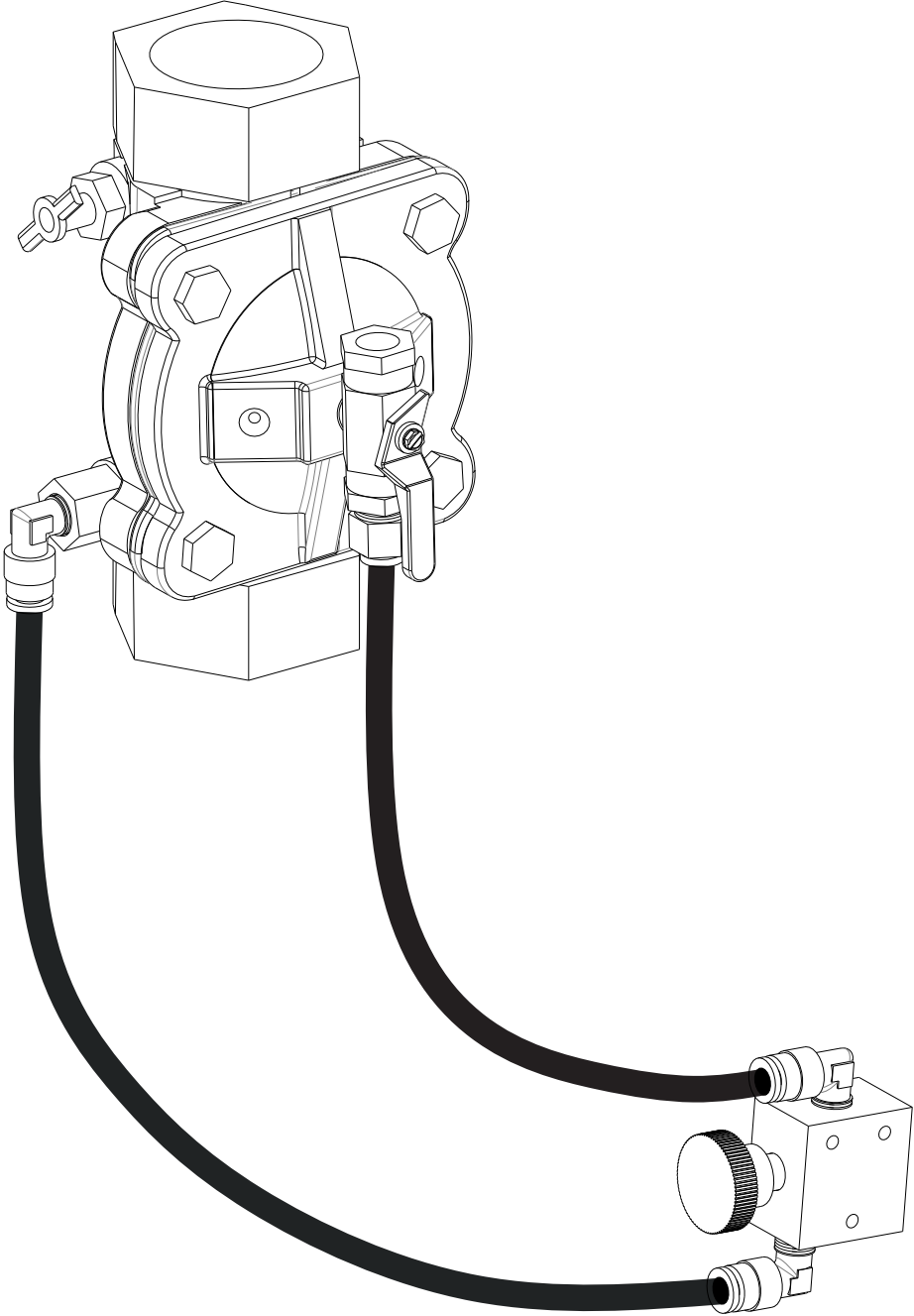
Item	Part Number	Description	Qty
1	50303983	TUBE RIDER ASM - WRT4C/5C PCGY	1
2	50308800	SPRING, TEN 10"X1.25OD	1

Gun Cart Group

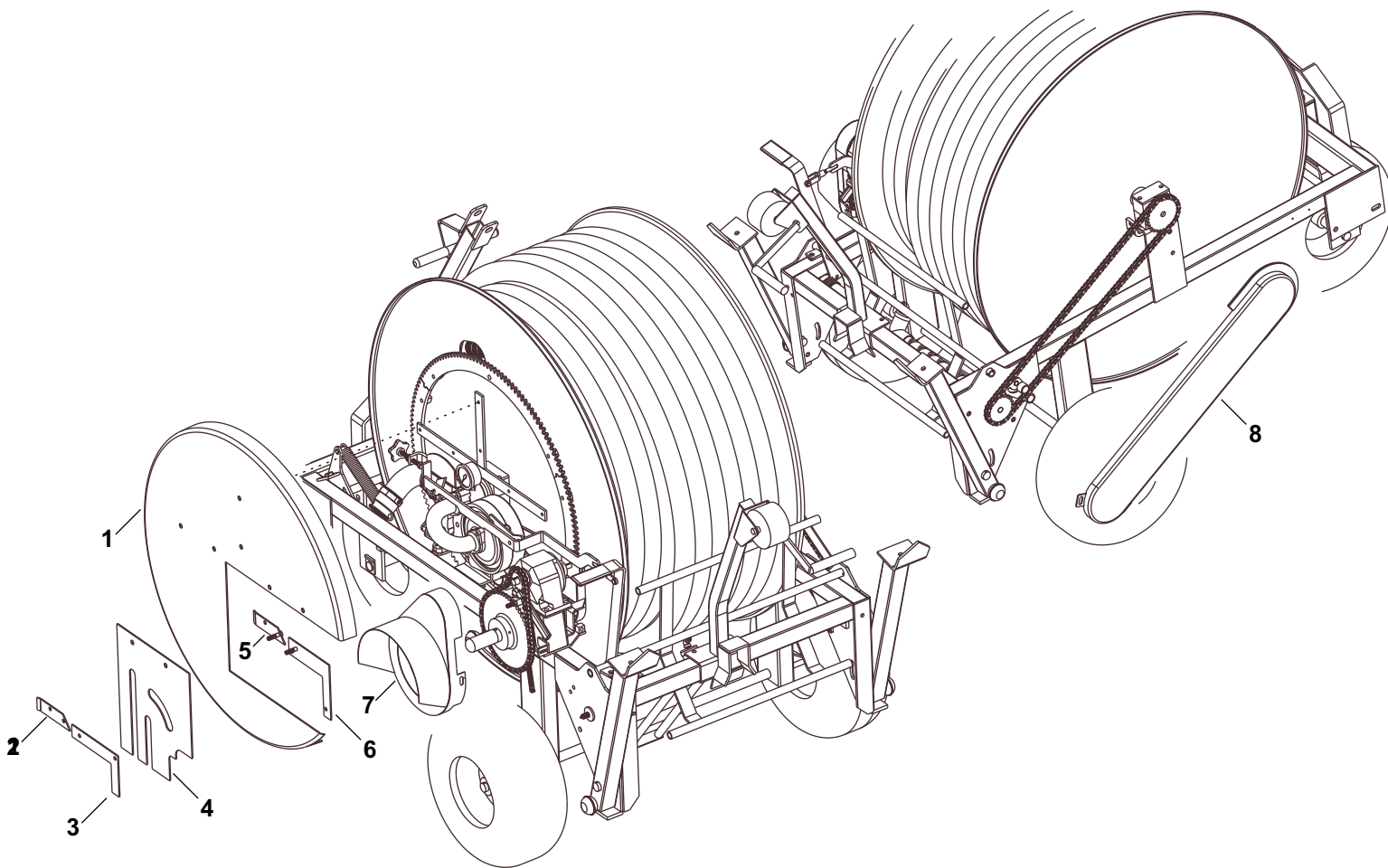


Item	Part Number	Description	Qty
1	58609994	LEG ASM, HIGH GUNCART PCGY	2
2	58700830	CLAMP PCGY	1
3	50300461	BODY ASM, HIGH CART-T4/T5C PCGY	1
4	85040590	CHAIN,3/16PROOF COIL PLTP	4 ft.
5	59602330	CLEVIS,PULL CHAIN PL	1
6	58608110	WHEEL&TIRE,4:1X3:5X4 1B2P	2
7	52532160	PETCOCK,DRAIN BR 1/4	2
8	52549150	FTG,TB 90 1/8MNPTX1/4TUBE	3
9	50406610	VALVE, DIAPHRAGM 1-1/2" NPT	1
10	50501160	VALVE, 3 WAY 1/4"	1
11	52549172	FTG,TB ST 1/4MNPTX1/4TUBE	1
12	25249390	TUBE,SYNFLEX 1/4	(2) 4.5 Ft.
13	50308301	BUMPER, CART SHUT OFF -T4/5C PCGY	1
14	42548450	VALVE,MA33 NKL-ALM SPOOL	1
15	50006790	O-RING 1.984" ID X .139 #226	1
16	50402630	STRAP ASM, CART LIFT - WRT4C/5C	1
17	40048553	WINCH,FULTON T-900	1
18	50400600	BOOM, CART LIFT - WRT4C/5C PCGY	1
19	50400420	TUBE END ASM, 160/180 - T4/5C (T180)	1
19a	50400421	TUBE END ASM, 200/210 - WRT4/5 (T200S)	1
20a	59100612	MENDER OUTER 1.8 PLATED (T180 1.8 hose)	1
20b	59100614	MENDER OUTER 2.0 PLATED (T200 2.0 hose)	1

Gun Cart Valve Plumbing Circuit

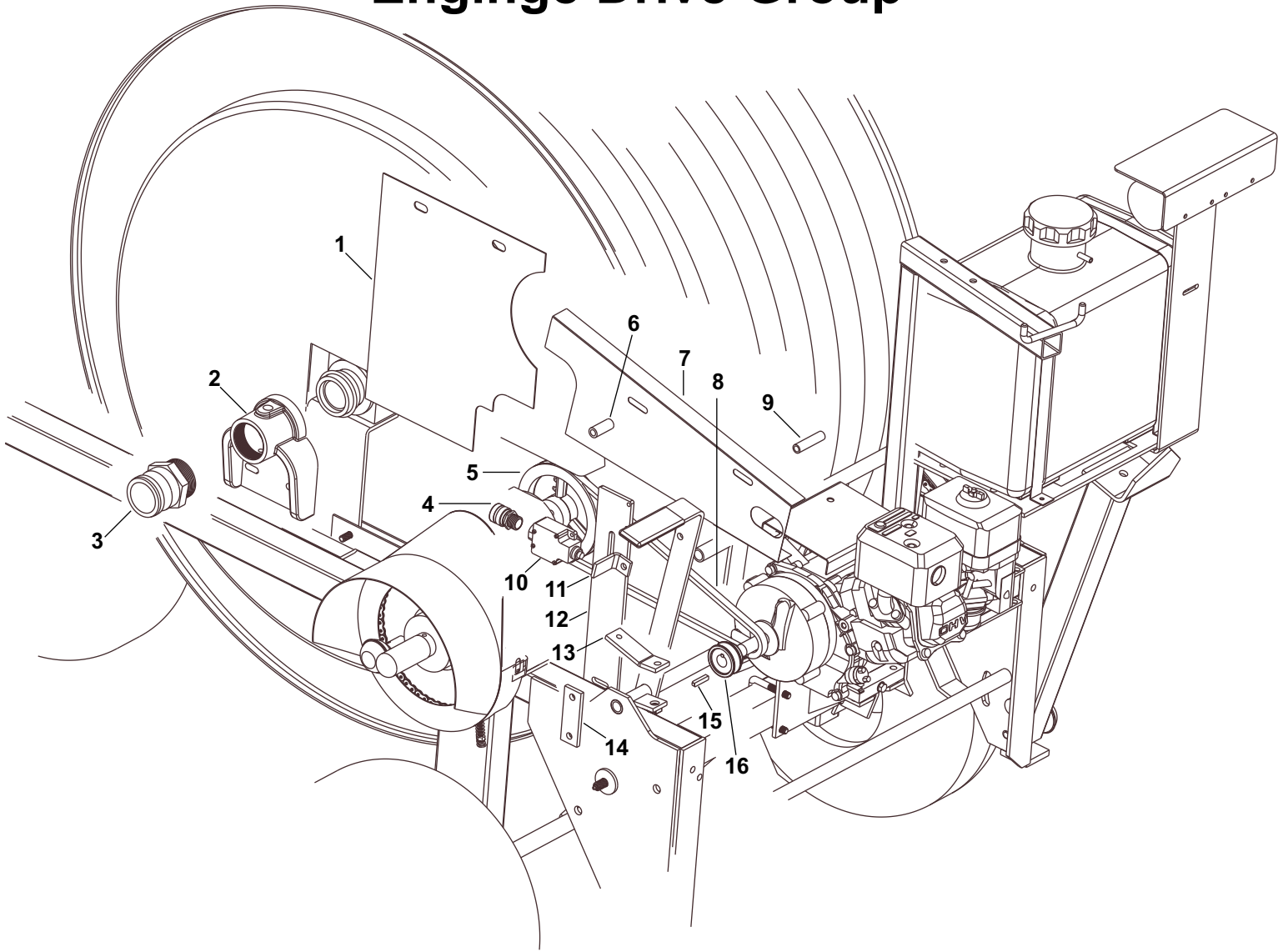


Guard Group



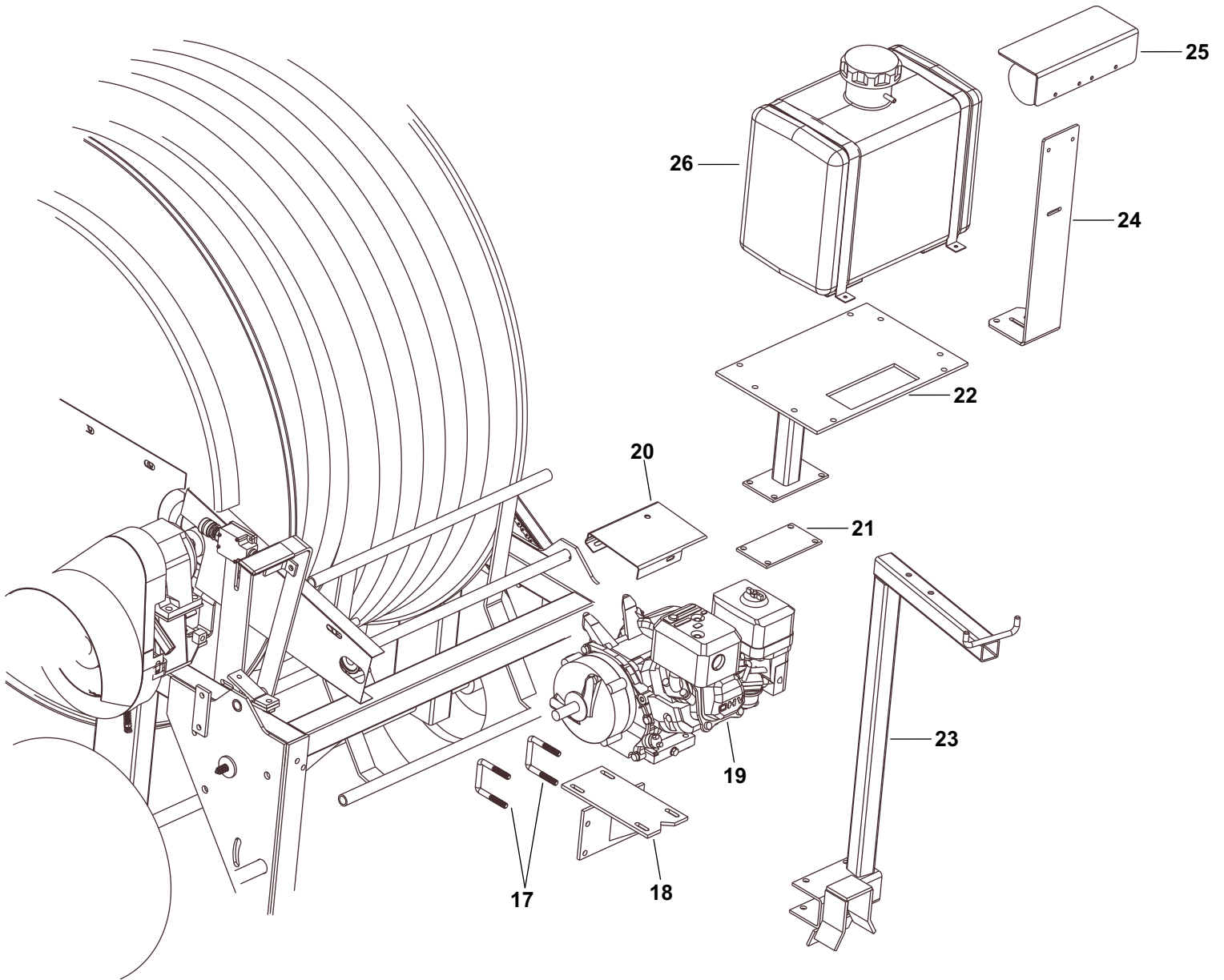
Item	Part Number	Description	Qty
1	50601300	GUARD,UPPER RING GEAR TURBINE/ENGIN	1
2	50601020	SHIELD GUIDE REAR T/E4/5 PCGY	1
3	50601041	SHIELD BRKT FRONT T/E4-5 PCGY	1
4	50601310	GUARD,LOWER RING GEAR TURBINE	1
5	50601030	SHIELD GUIDE PCGY	1
6	50601061	SHIELD BRKT FRONT T/E4-5, PCGY	1
7	50400741	GUARD, POWERTRAIN CHAIN-T4/5C PCGY	1
8	50308971	GUARD ASM, LEVELWIND CHAIN - WRT4C	1

Enginge Drive Group



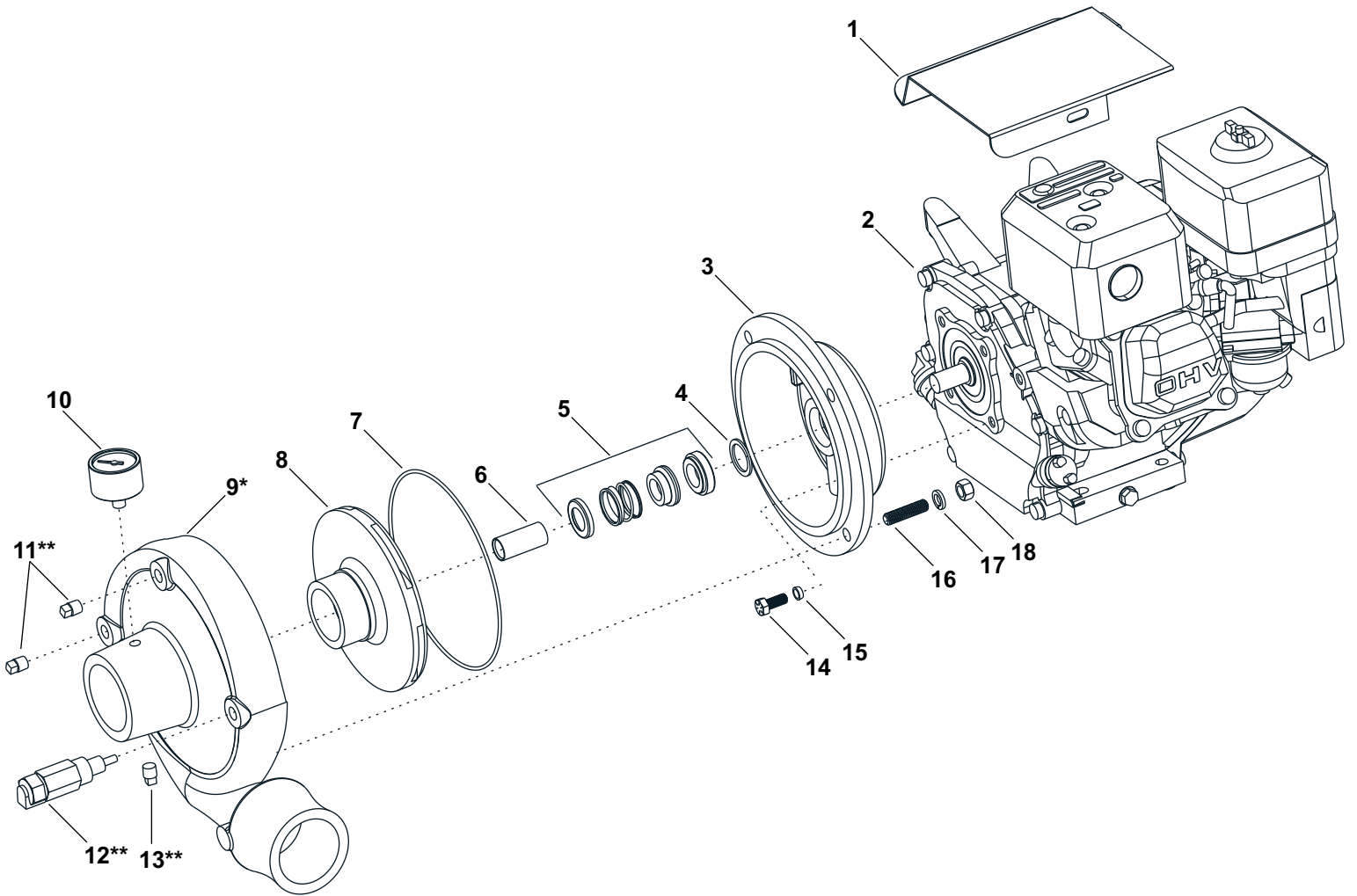
Item	Part Number	Description	Qty
1	50601312	GUARD, LWR RING GEAR PCGY	1
2	50600950	ENTRY FITTING WRT/E4D	1
3	58608031	CMLK,F MA2X2MNPT	1
4	52662170	GROMMET,CMPRSSN 1/2 NPT	1
5	50206710	PULLEY, 6.0 OD X 1/2 BORE CAST	1
6	50601110	BUSHING, BELT GUARD MT. REAR, PCGY	1
7	50601001	SHIELD, CHAIN WRE4 IRRGATION PCGY	1
8	59903432	BELT AX 43	1
9	50801170	SPACER, .54OD X .364ID X 2.25 LONG	1
10	52662151	SWITCH 6 X 613	1
11	50600570	SWITCH STOP E4/5 PCGY	1
12	50600560	SWITCH MT. E4/5 PCGY	1
13	50601280	SHUT OFF BAR STOP PCGY	1
14	50601500	STRAP, CLAMP SHUT OFF ARM PCGY	1
15	58504460	KEY 3/16 X 1-1/4	1
16	59902931	PLLY, 2" X 3/4 BORE CAST WITH HUB	1

Engine Drive Group cont.



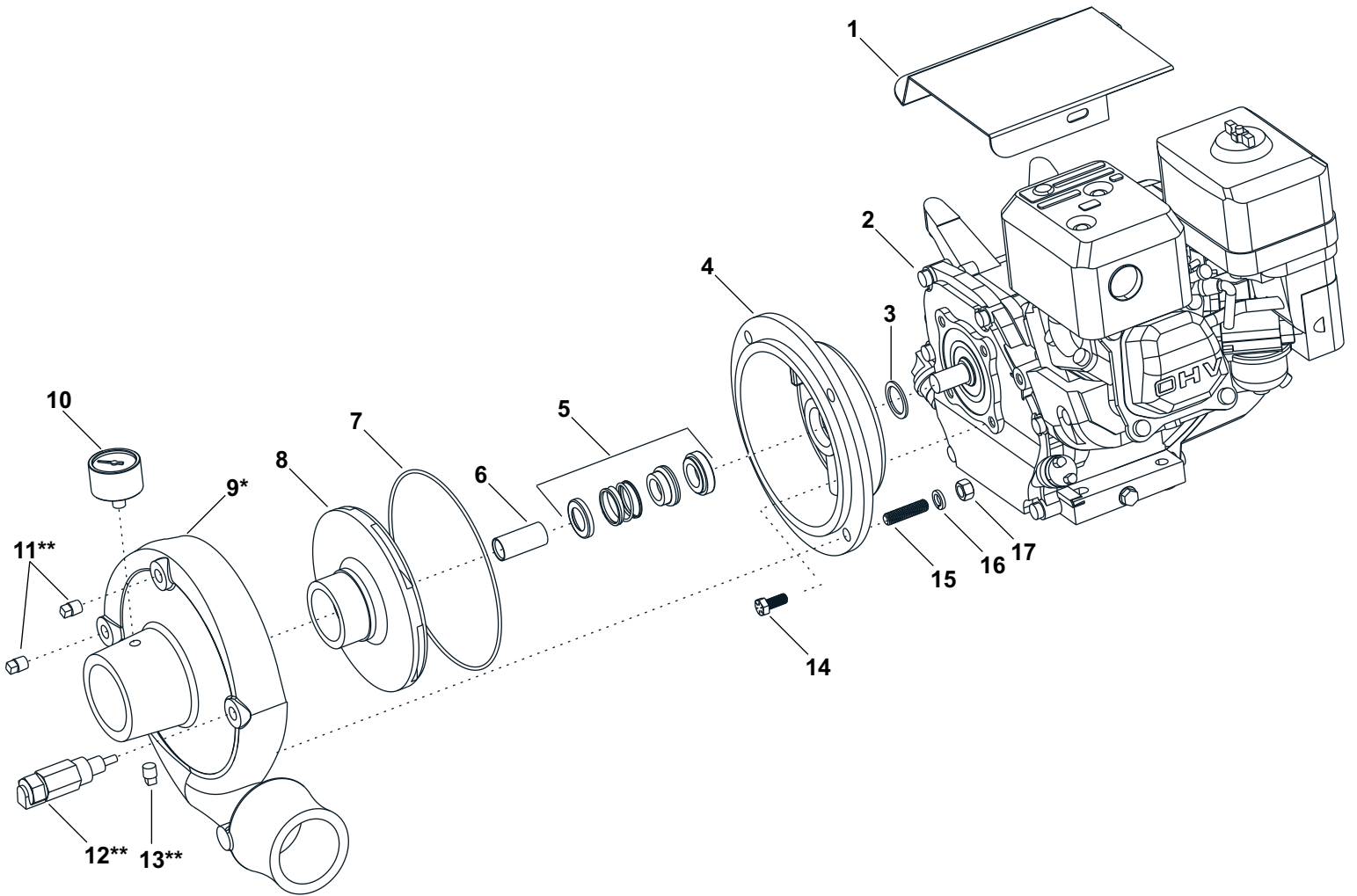
Item	Part Number	Description	Qty
17	58700401	BOLT,U SQ 3/8X2X2-5/8	2
18	50600230	ENGINE MT. E4/5 PCGY	1
19	50601670	ENGINE,HONDA 4HP KEYED SH 6-1 REDUCT	1
20	59701663	ENGINE COVER HONDA 4.0 PCGY	1
21	50600860	PLATE, TANK MT E4/5,	1
22	50600910	TANK,GAS MT. E4/5 PCGY	1
23	50601360	BOOM ENGINE DRIVE MACHINES PCGY	1
24	51300031	MOUNT CANISTER 6 GAL EPA, PCGY	1
25	51300051	SHIELD, CANISTER 6 GAL EPA, PCGY	1
26		Tank component parts list on PAGE ????	

5.5 HP Booster Pump



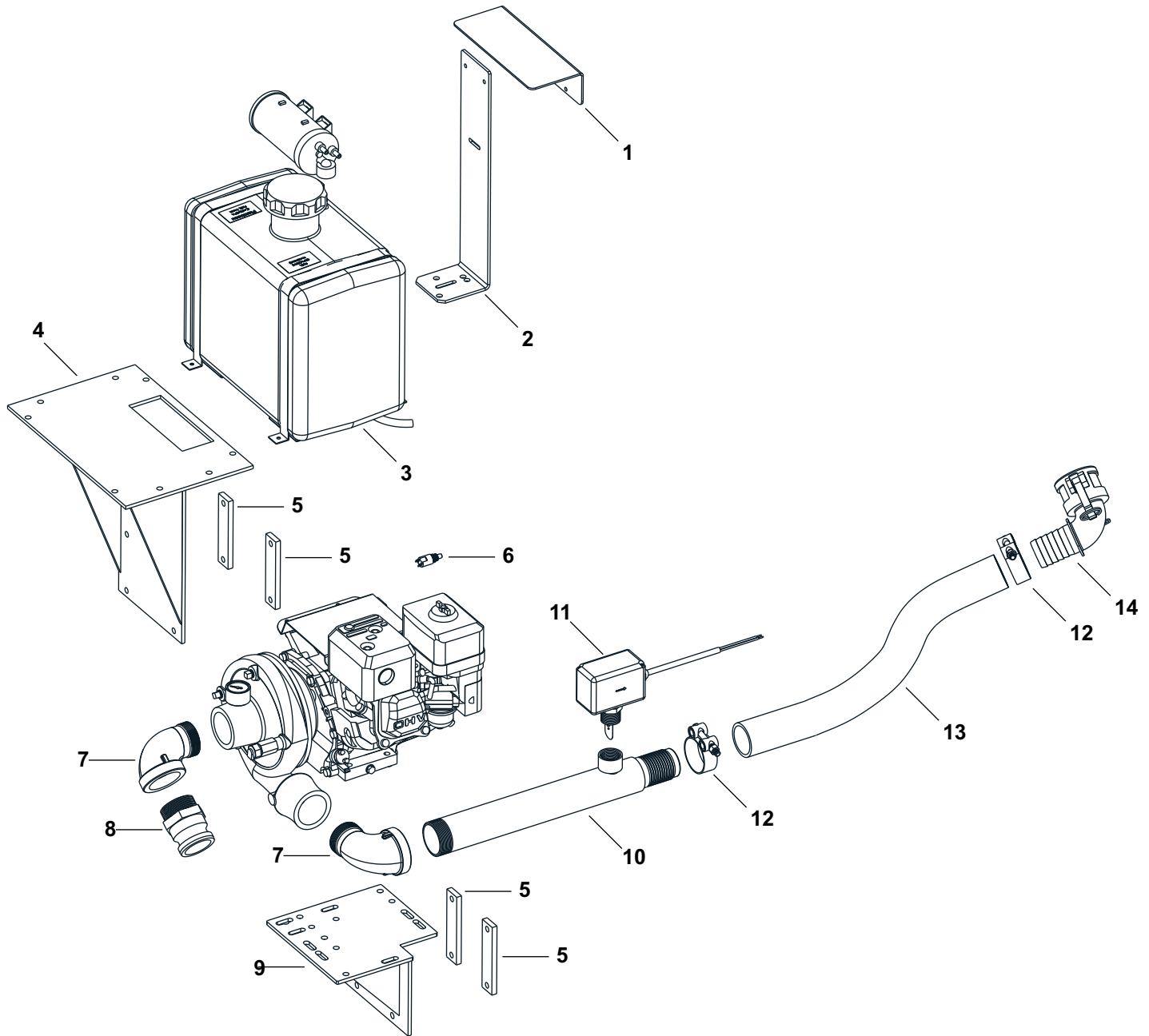
Item	Part Number	Description	Qty
1	59701661	ENGINE COVER HONDA6.5&5.5 , PCGY	1
2	59402560	ENG,HONDA 5.5 THREADED PUMP SHAFT	1
3	59402600	ADPTR	1
4	59402500	SLINGER 1-1/4X3/4X1-1/16 - 5.5HP	1
5	59402530	SEAL,MECHANICAL3/4" MNRCH	1
6	59504170	SLEEVE,3/4X1.6" 5.5HP	1
7	59402520	O-RING PARKER2-165 M PUMP	1
8	59504160	IMPELLER, 6.1X5/8 5.5HP	1
9*	59402570	CASING, 1-1/2&2X2 PUMP - (includes items 11,12 & 13)	1
10	58606742	GAUGE,PRESS 0-160REAR MT	1
11**	52502621	PLUG, BR 1/4	2
12**	59506690	VALVE,MODIFIED 1/4" THERMO	1
13**	52538671	PLUG, BR 1/8	1
14		Bolt, 5/16"X3/4" UNF	4
15	59600010	LOCK SEAL WASHER 5/16"ID (PKG OF 4)	1
16		STUD, 3/8UNC X 1-1/2"	4
17		WASHER, LOCK 3/8"	4
18		NUT, 3/8" UNC	4
NOT SHOWN	58504050	BSHNG,RDCNG GLV 2X1-1/2	1

9 HP Booster Pump



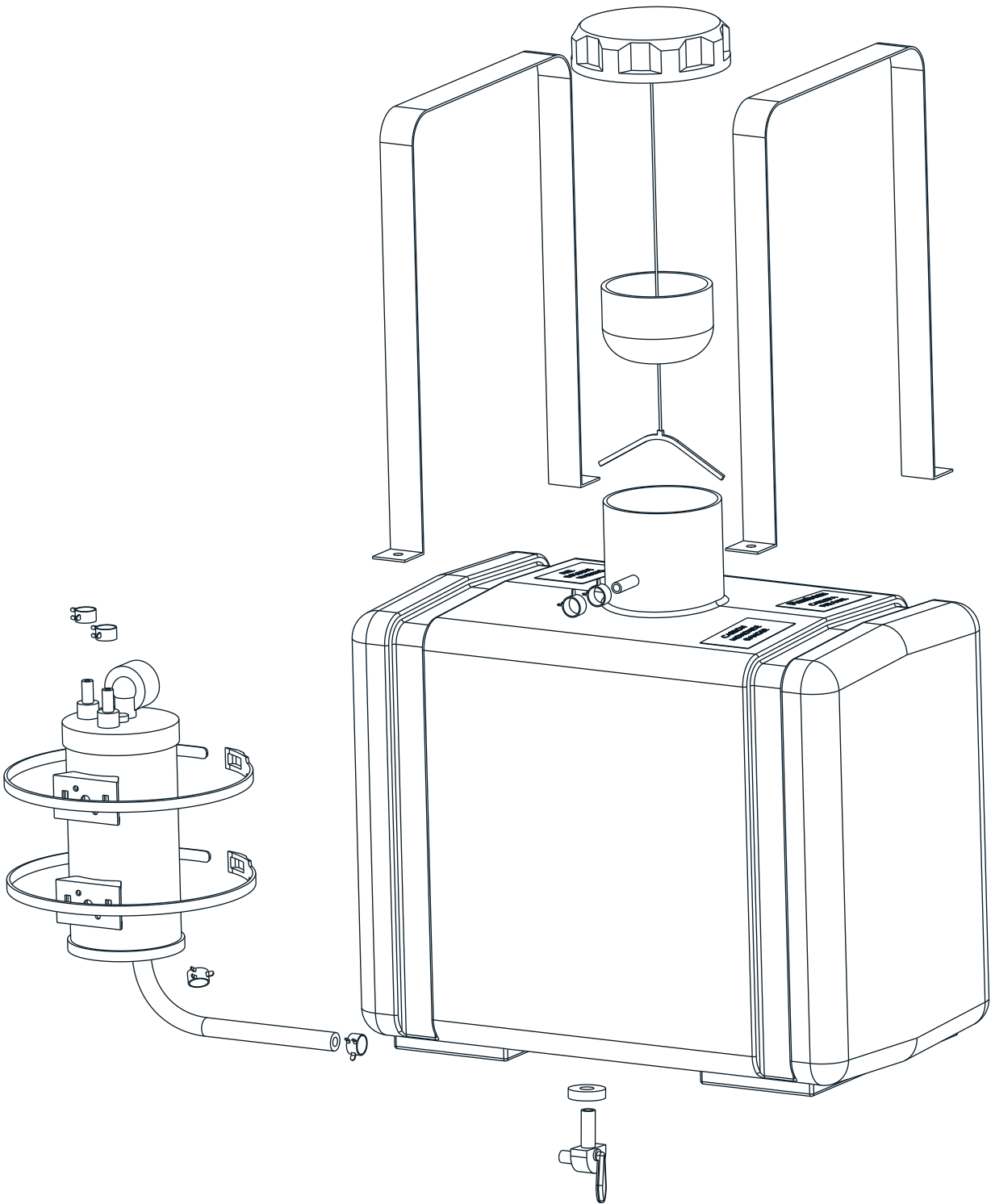
Item	Part Number	Description	Qty
1	59701660	ENGINE COVER 9 HP HONDA PCGY	1
2	50702190	ENGINE, HONDA 9HP W/PUMP SHAFT	1
3	59402501	SLINGER, 8-1/2 AND 9 HP PUMPS	1
4	59402601	ADPTR, FOR 8.5 HP	1
5	59402531	SEAL,MECHANICAL 1-1/4"	1
6	59504171	SLEEVE,1-1/4 X 2.1" 8-1/2/9HP	1
7	59402520	O-RING PARKER2-165 M PUMP	1
8	59504161	IMPELLER, 6.4 X 1" 8.5HP	1
9*	59402570	CASING, 1-1/2&2X2 PUMP - (includes items 11, 12 & 13)	1
10	58606742	GAUGE,PRESS 0-160REAR MT	1
11**	52502621	PLUG, BR 1/4	2
12**	59506690	VALVE,MODIFIED 1/4" THERMO	1
13**	52538671	PLUG, BR 1/8	1
14		BOLT, 5/16"X3/4" UNF	4
15		STUD, 3/8UNC X 1-1/2"	4
16		WASHER, LOCK 3/8"	4
17		NUT, 3/8" UNC	4
NOT SHOWN	58504050	BSHNG,RDCNG GLV 2X1-1/2	1

Booster Pump Components



Item	Part Number	Description	Qty
1	51300051	SHIELD, CANISTER 6 GAL EPA, PCGY	1
2	51300031	MOUNT, CANISTER 6GAL EPA, UNCOATED	1
3		Tank component parts list on page 20	
4	50308190	TANK MT. B130C, WRB3C, WRT4/5C	1
5	50400390	STRAP, CLAMP BOOSTER, PCGY	4
6	59404231	SWITCH, OVERRIDE NRML CLSD	1
7	58408410	ELBW, STRT GLV 2X90DEG	2
8	58608031	CMLK, F MA2X2MNPT	1
9	50900130	BOOSTER PUMP ENG MT, 5/9HP C-SERIES	1
10	51601890	WRT4/5C FLOW SWITCH FITTING PL	1
11	51601950	DWYER FLOW SWITCH FS-2	1
12	03019160	SUPRA CLAMP 59MM-63MM	2
13	58401330	HOSE 2 ID 150 GY PLICORD	1 FT.
14	58608026	CL CAMLOCK 90 DEGREE 2.0	1
15	59903250	*NOT SHOWN* CONNECTOR Y 2FEMALE 1MALE	1

Fuel Tank & Components



Item	Part Number	Description	Qty
1	51201000	TANK, GAS 6 GALLON CARB/EPA KIT	1
ALL ITEMS SHOWN INCLUDED			

Notes