



Water-Reel® Irrigation

700 S. Schrader Ave.
P.O. Box 290
Havana, IL 62644
USA
Phone: 309.543.4425
Fax: 309.543.4945

PARTS MANUAL

T25A, T27A, 30AS

S/N 380,000 +

Updated, 04/23/10 ER

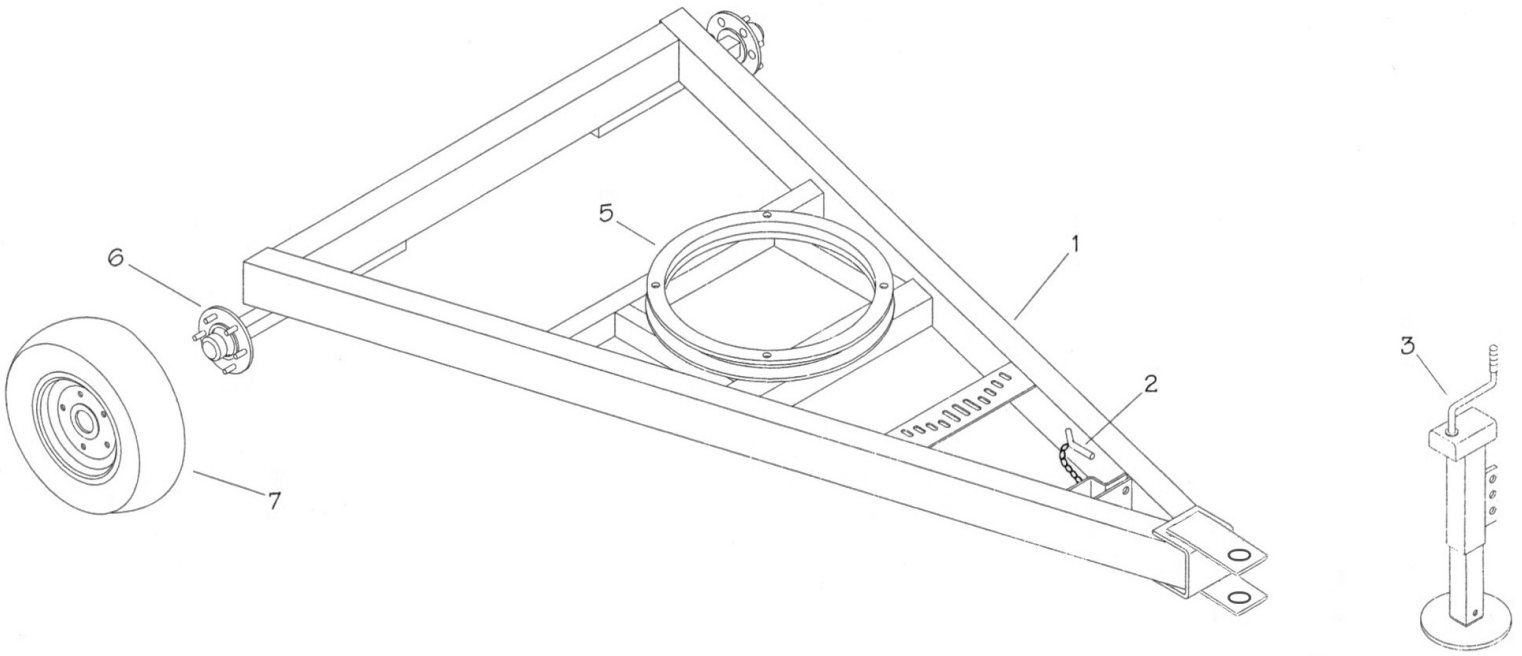
RUNNING GEAR ASSEMBLY	2
CRADLE ASSEMBLY	3
SPOOL ASSEMBLY	4-5
LEVEL WIND ASSEMBLY	6
SHUT OFF	7
DRIVE TRAIN	8-9
GEARBOX	10-11
TURBINE 10/50	12-13
GUN CART ASSEMBLY A1 (Early 2004 model)	14
GUN CART ASSEMBLY (Current)	15
BOOM ASSEMBLY	16
ENGINE DRIVE	17-18

Notes:

For Parts That Are Described As "Left" Or "Right" The Water Inlet Side Of The Machine Is Considered The Right Side.

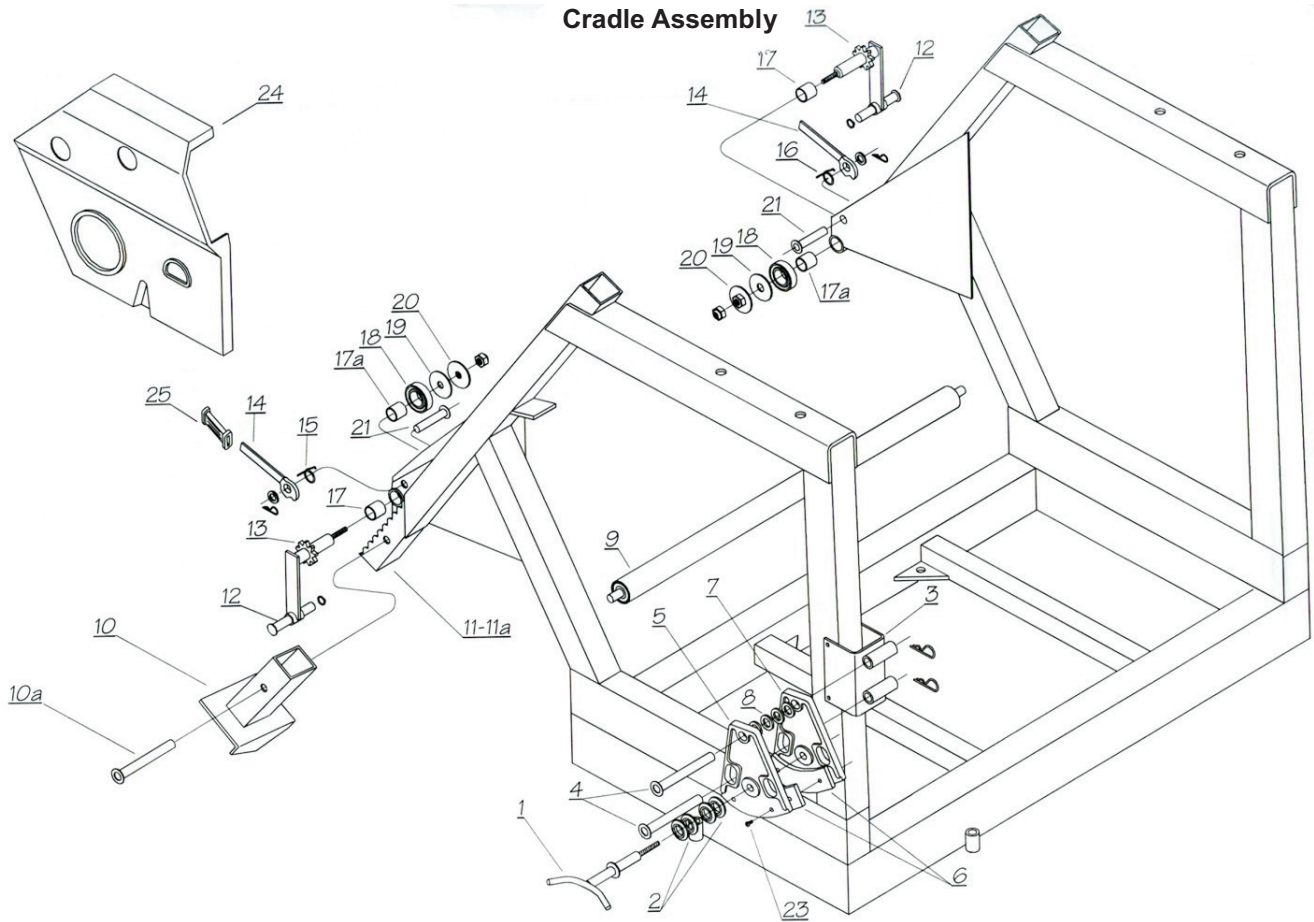
Items Such As Common Fasteners, Grease Fitting, And Other Small Parts Easy To Acquire Locally Are Not Listed.

Runnig Gear Assembly



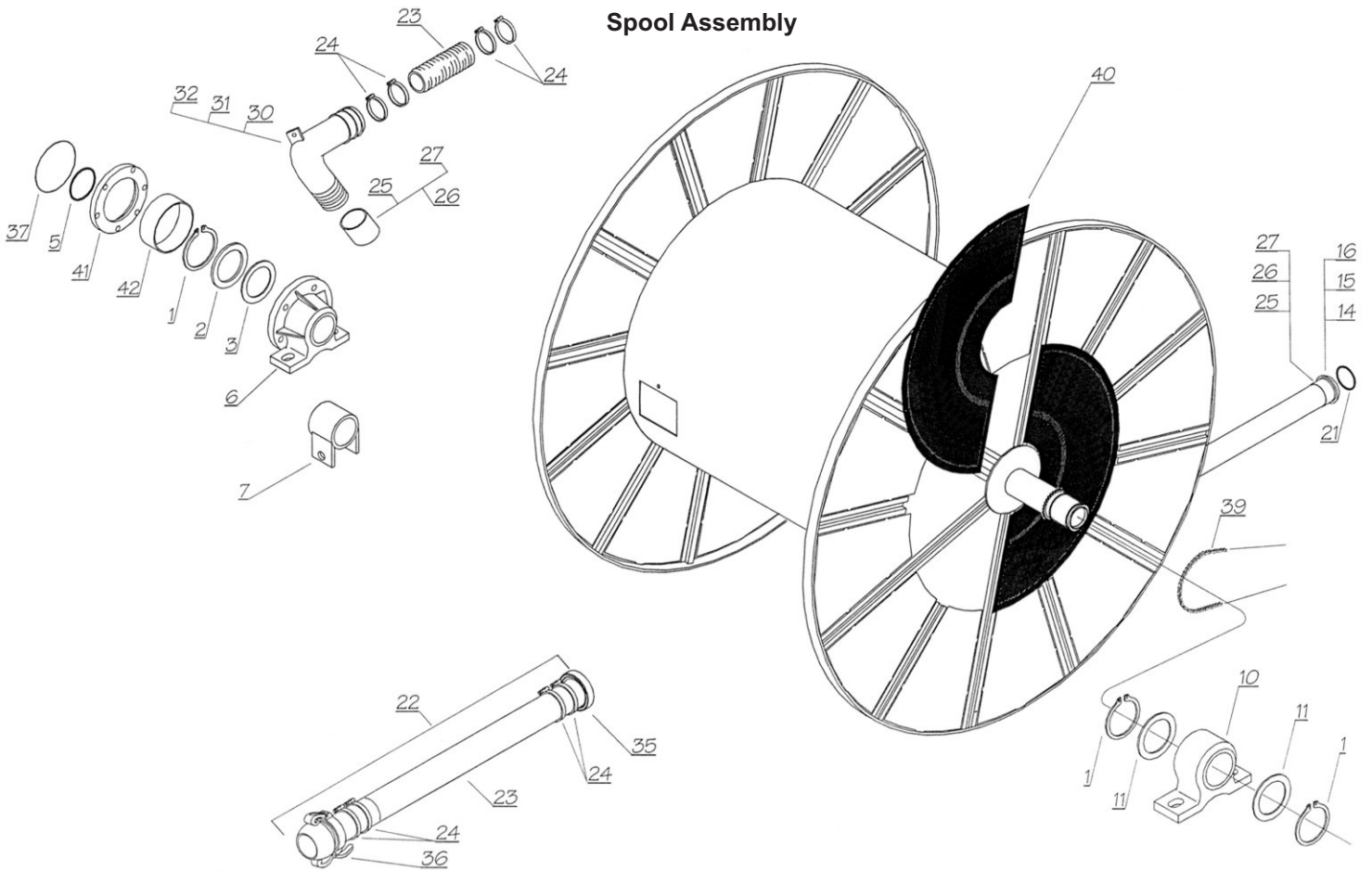
No.	Part Number	Description	Qty.
1	02201388	Frame	1
2		Pin	1
3	02000402	Screwjack	1
5	02010121	Turntable Bearing	1
6a	02201390	Seal	2
6b	02201400	Bearing, 30208	2
6c	02201410	Hub	2
6e	02201420	Bearing, 30206	2
6f	02201430	Nut, Spindle	2
6g	02201440	Dust Cap	2
6h	02201460	Nut (lug)	10
7a	02210140	Wheel and Tire 185/70-13	2
7b	02210141	Wheel and Tire 175/75-14	2
7c	02210142	Wheel and Tire 195/60-14	2
7e	02210143	Wheel and Tire F78-15	2
7f	02201450	Rim, 14"	2
7g	02001416	Rim, 13"	2

Cradle Assembly



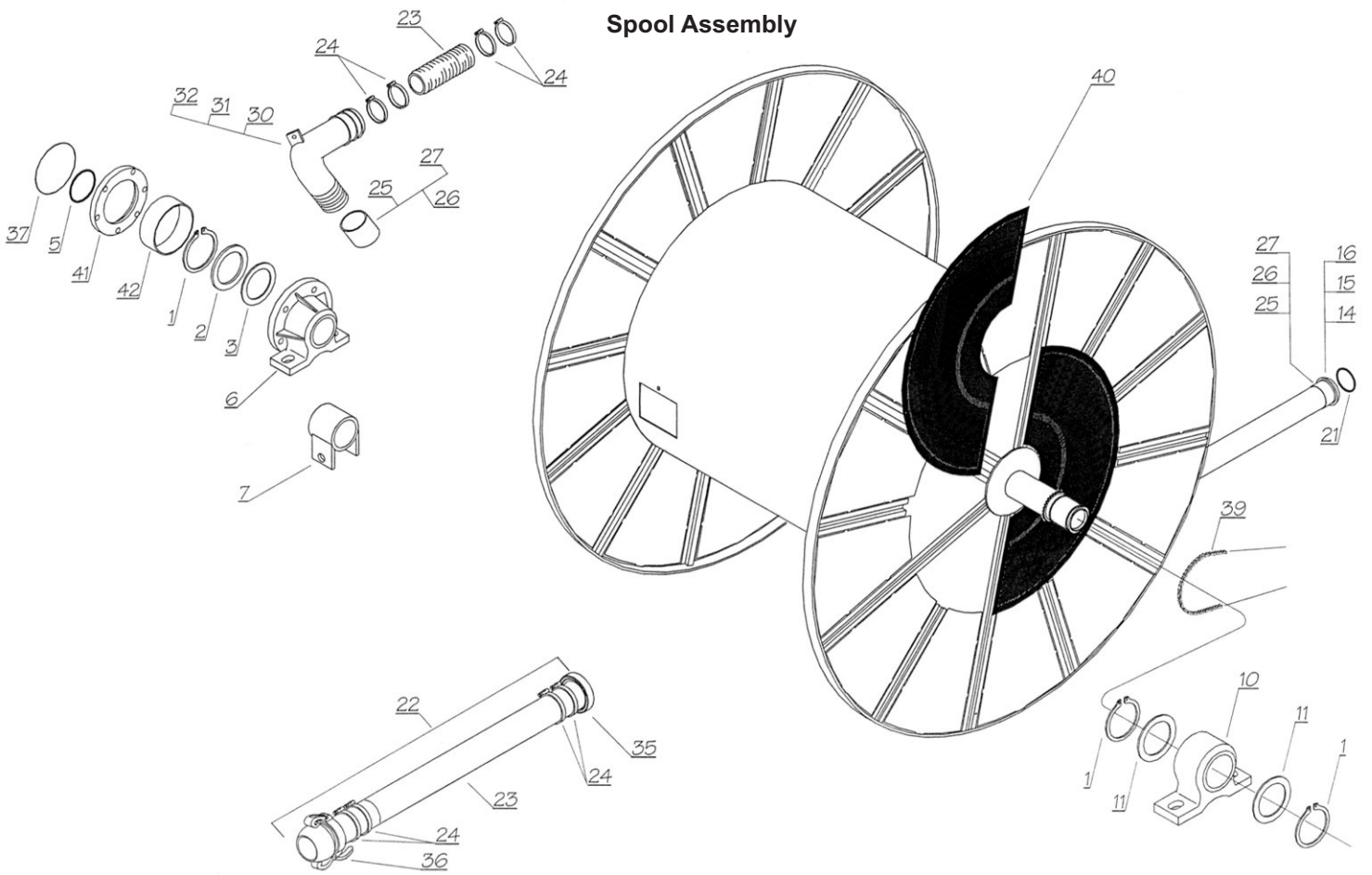
No.	Part Number	Description	Qty.
1	02214820	Brake control screw 390,000+	1
2	02201560	Plastic washer	2
3	02205272	Brake support	1
4	02201600	Pin brake	2
5	02201581	Brake plate	1
6	02204540	Slide (Brake Pad)	2
7	02201571	Brake plate, threaded	1
8		Washer, Dia 20	4
9	02010410	Horizontal Roller	1
10a	02214840	Foot	2
10b	02214850	Pin	2
11	02210730	TS leg	1
11a	02210740	CS leg	1
12	02214860	Handle	2
13	02099578	Crank	2
14	02010127	Pawl	2
15	02010128	Spring, right	1
16	02010135	Spring, left	1
17a	02099056	Bushing	2
17b	02214800	Bushing	2
18	02099059	Spring, Rubber	2
19	02099049	Plastic washer	2
20	02099058	Retainer Nut	2
21	02010129	Pin, .55 X 3.37" OAL	2
23		Screw 8x20	4
24	02204811	Hood, A1	1
25	02204140	Hand grip	2

Spool Assembly



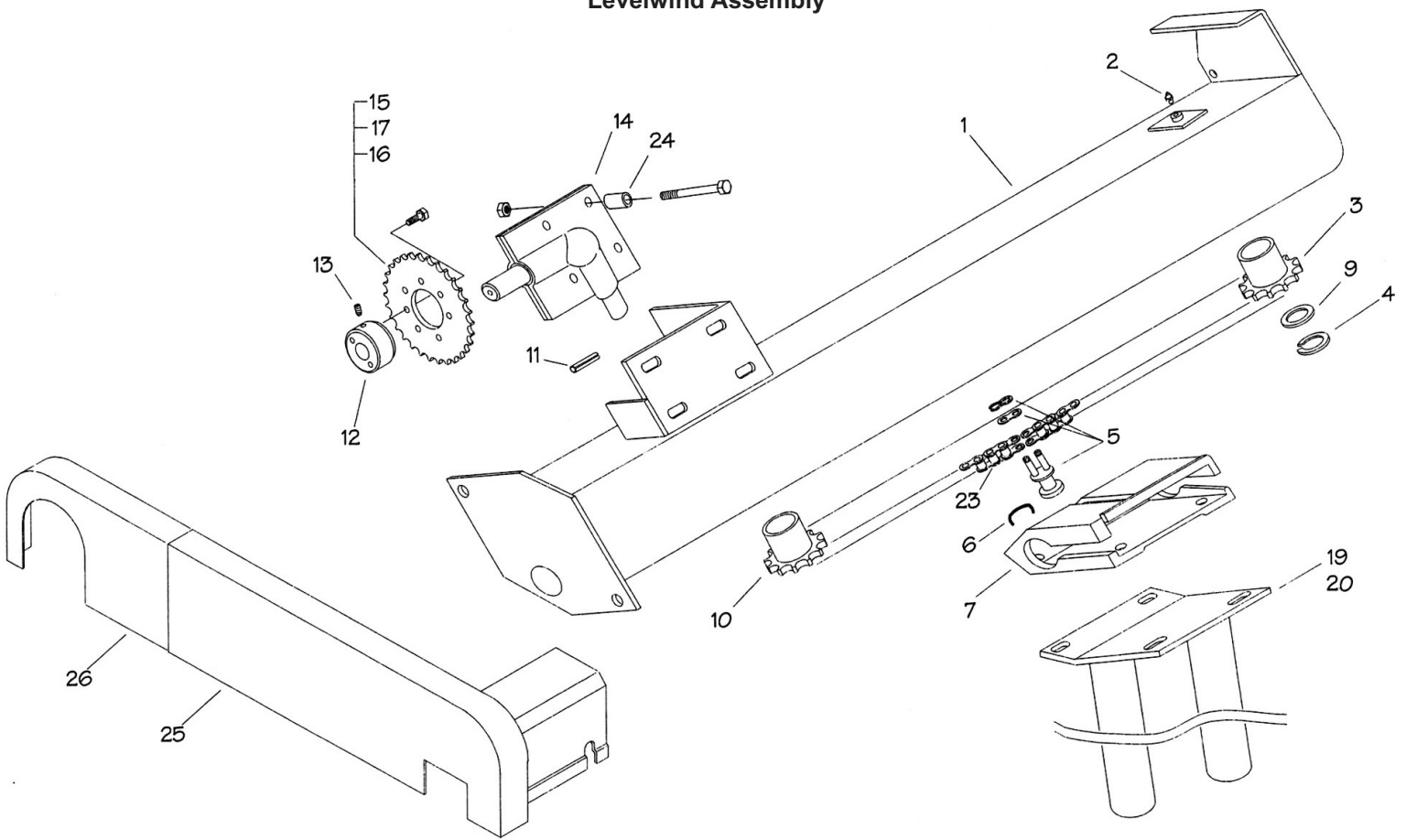
No.	Part Number	Description	Qty.
1	02000428	Snap Ring, E70	3
2	02000429	Spacer	1
3	02000441	Washer, Wear	1
5	02210100	O-ring 355 (69, 22 X 5.34)	1
6	02000442	Bearing, RH Spool	1
7	02201510	Drive Spacer	1
10	02000430	Bearing, LH Spool	1
11	02000429	Spacer	2
14	02000453	Tube End 75mm	1
15	02205410	Tube End 82mm	1
16	02206960	Tube End 90mm	1
22	58802841	Supply Hose 3" X 30 ft, Complete	1
23	02201481	HOSE, 70X79MM -0,55-4M (21.65")LONG	1
24	03019207	Supra Clamp, 79mm- 84mm	4
25	02099450	Hoseband, 75mm	2
26	02099112	Hoseband, 82mm	2
27	02099113	Hoseband, 90mm	2
30	02201470	Elbow, 75mm	1
31	02201471	Elbow, 82mm	1
32	02206970	Elbow, 90mm	1

Spool Assembly



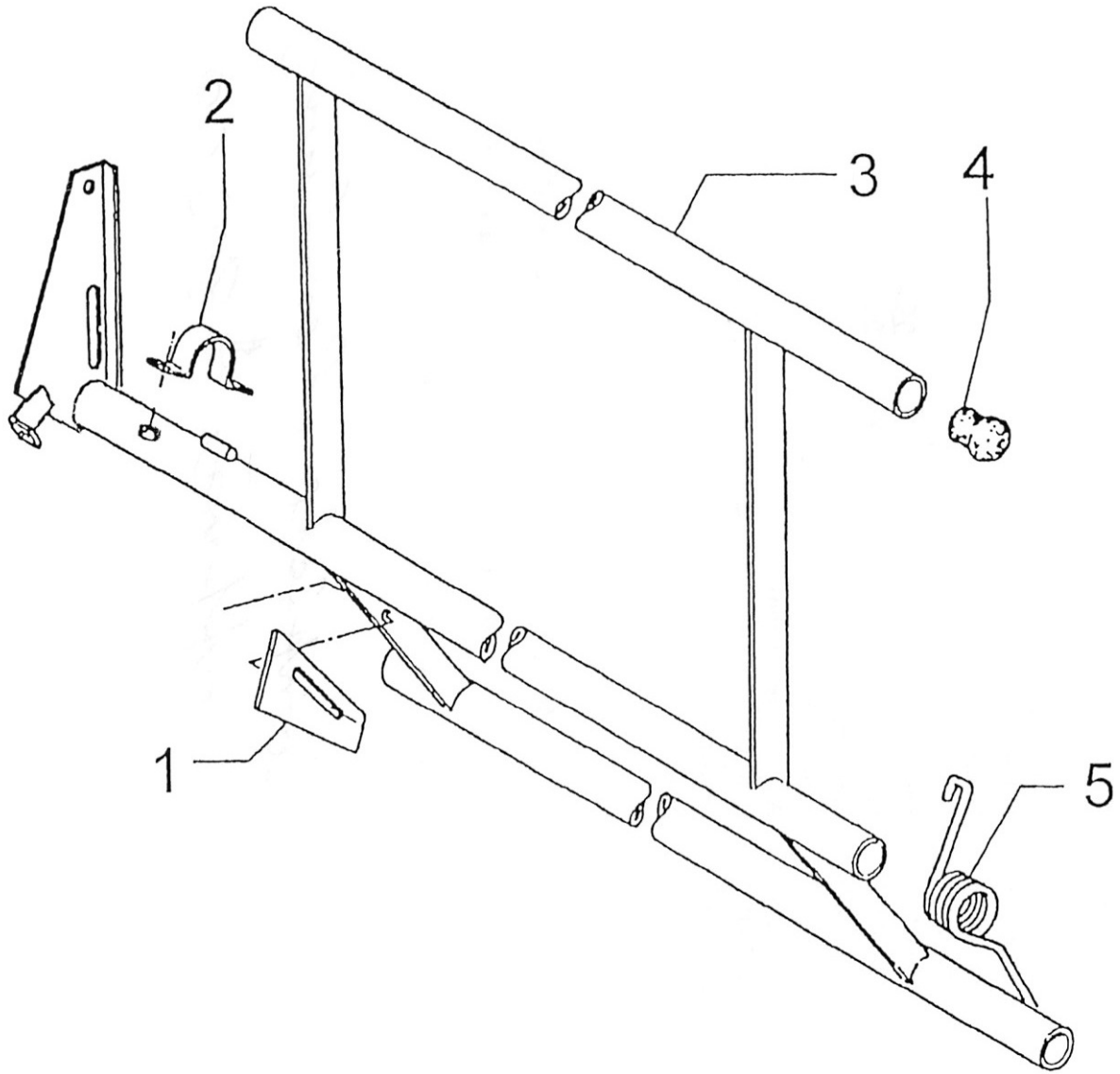
35a	58802662	Pipe connecting piece Bauer female		1
35b	40049270	4" Ring Lock Band (not shown)		1
36a	58800221	Ring, 3" Lever Lock (76mm)		1
36b	58802560	3" Hose end outlet		1
37	02210110	O-ring .139CS 4 1/8" X 4 3/8"		1
39	02001140	Chain 1/2 Metric Roller (198 Rollers)		8.25 Ft.
40	50301804	Shield, Spool- A1 KIFCO, Ag-Rain		4
41	02206980	Flange		1
42	02206990	Spacer		1

Levelwind Assembly



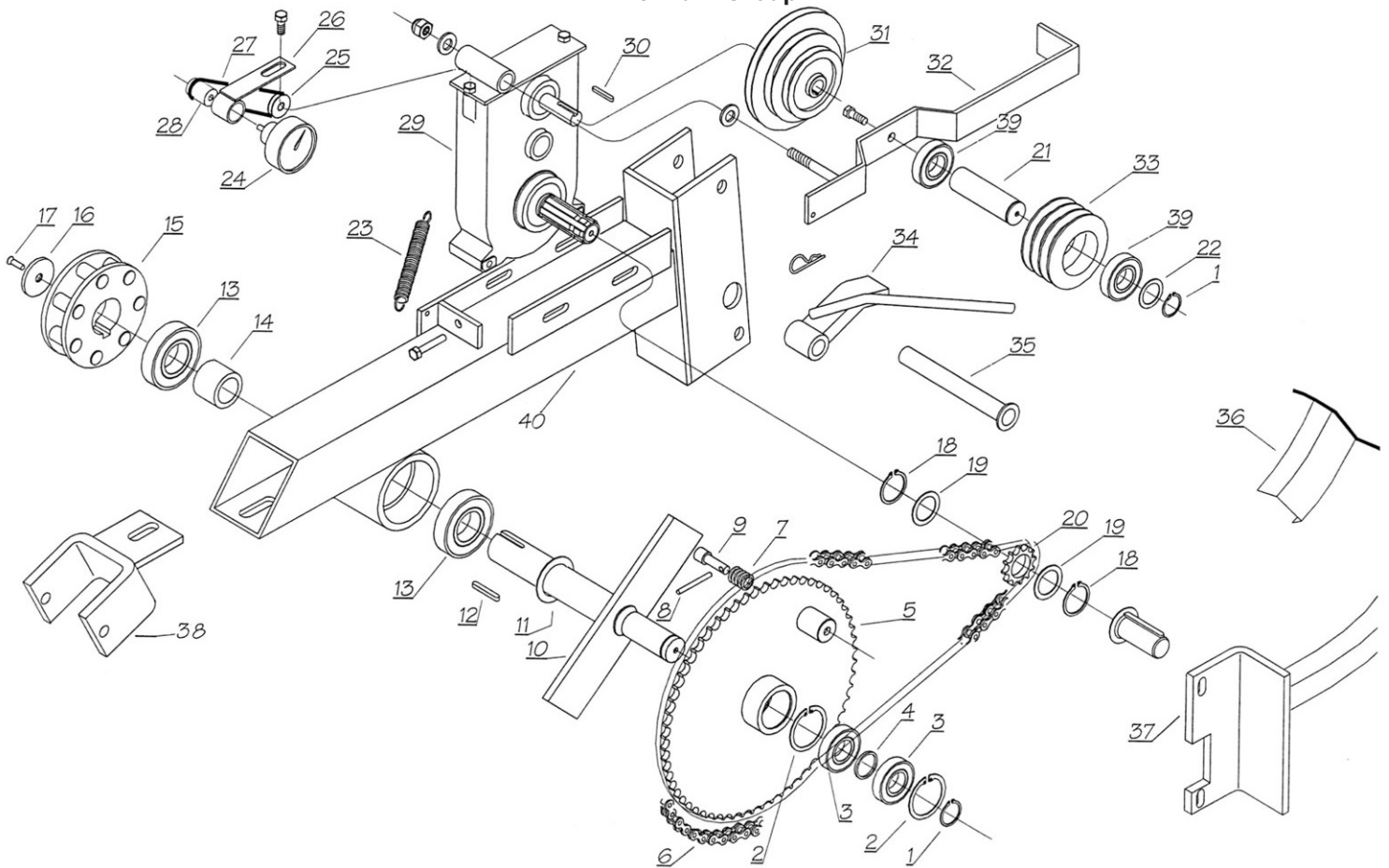
No.	Part Number	Description	Qty.
1	02199477	Hose guide frame	1
3	02000475	Sprocket	1
4	52662540	Ring,Retaining E 25	1
5	02000496	Special hoseguide link	1
6	02000776	Retaining spring	1
7	02000141	Fork support	1
9		Washer 26×44	1
10	02000479	Sprocket	1
11	59802140	Spring pin Ø7×45	1
12	02000153	Sprocket hub	1
13	02000152	Screw,12mmX25mm Dogpoint(7.5mm Dia)	1
14	02001085	Gear Box	1
15	02099158	Sprocket Z36 1/2"	1
16	02203861	Sprkt., .5 X 32 Tooth	1
17	02000482	Sprocket Z30 1/2"	1
18a	02212260	Sprocket Z28 1/2"	1
18b	02201250	Sprocket .5 X 25 Tooth	1
19	02010142	Fork (75mm - 82mm tube)	1
20	02010143	Fork (90mm tube)	1
23	02001141	Chain 5/8 Metric Roller- 150 Rollers)	7.8 Ft.
23b	02001141	Chain 5/8 Metric Roller- 148 Rollers)	7.7 Ft.
24	02001084	Spacer	4
25	02201220	Shield	1
26	02010142	Shield	1

Shut-off



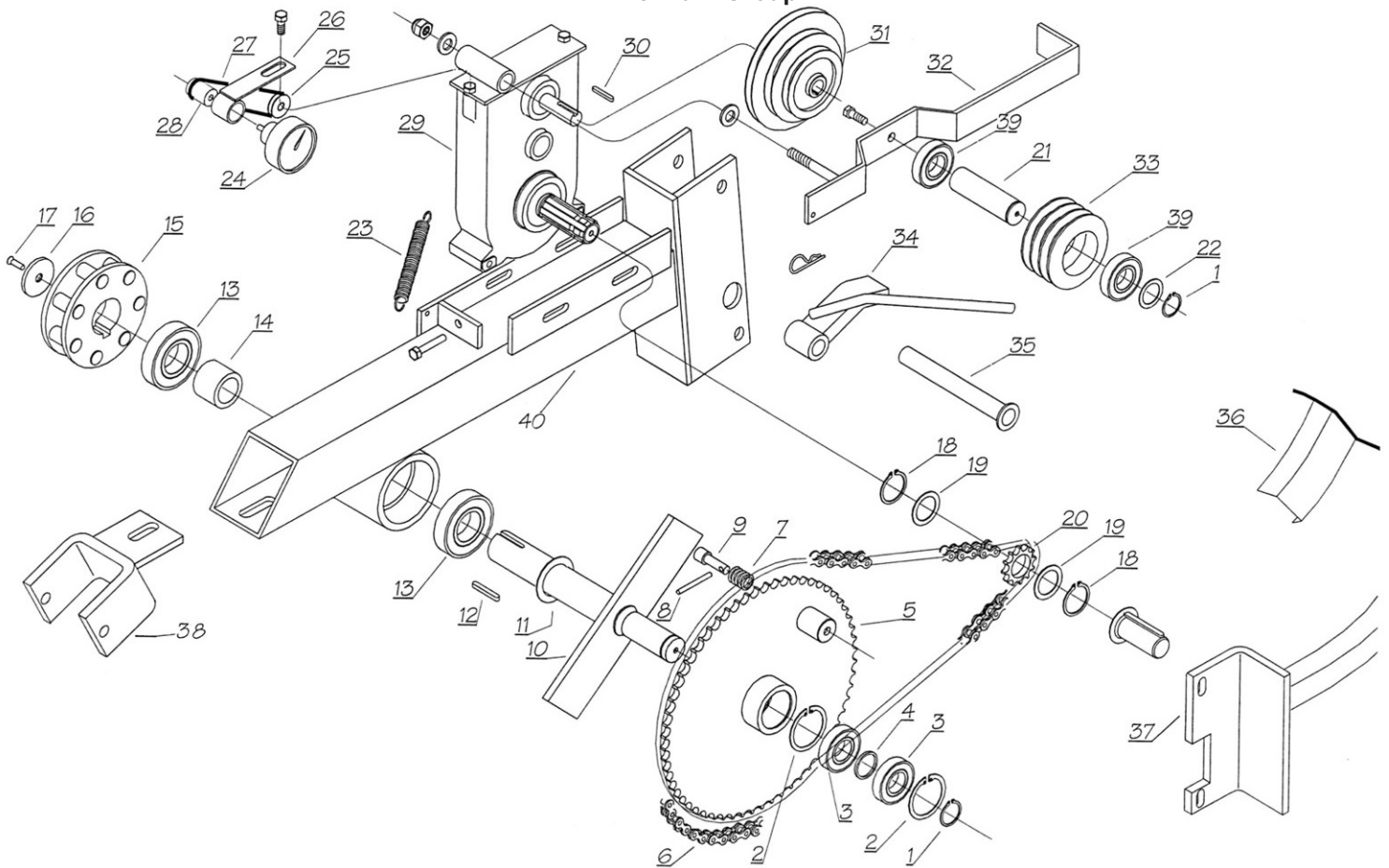
No.	Part Number	Description	Qty.
1	02201610	Retainer	1
2	02000164	Bearing	1
3	02205280	Hose Retention Bar	1
4	02201630	Plug	4
5	02000166	Spring	1

Drive Train Group



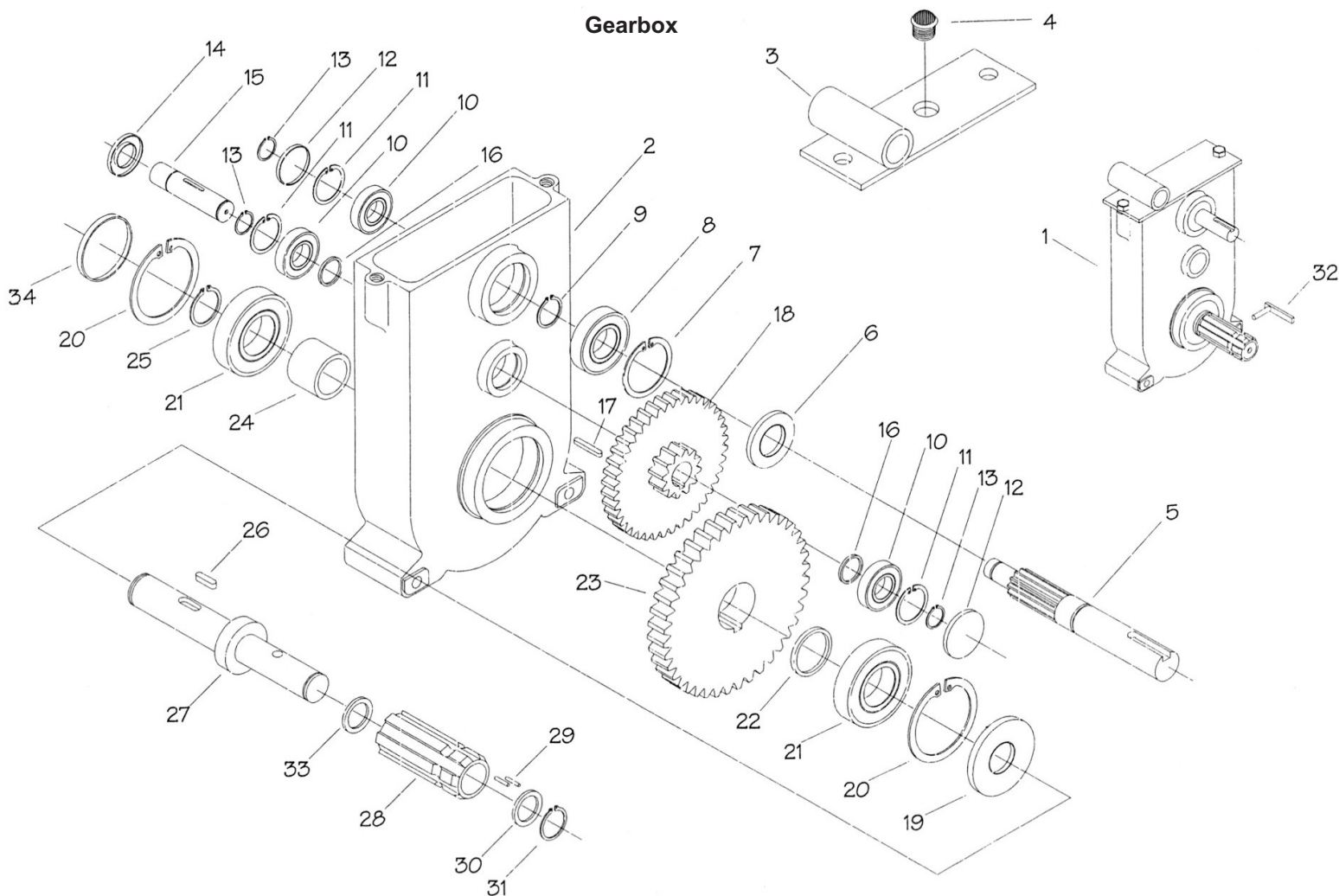
No.	Part Number	Description	Qty.
1	02203420	Stop ring E25	2
2	02203430	Stop ring I47	2
3	02203440	Bearing 6005 2RS	2
4	02203450	Washer dia.26	2
5	02203460	Chain wheel Z90 1/2"	1
6a	02001140	Chain 1/2 Metric Roller 111 p	4.63 Ft.
6b	02201110	Link, Connector 1/2"	1
6c	02201100	Link, Off Set	1
7	02203470	Spring dia. 1.6	1
8	02203480	Pin dia.8	1
9	02203490	Pin	1
10	02203500	Shaft dia.35	1
11	02203570	Spacer I 35mm ID X 45mm OD X 1mm	2
12	02203510	Key 10x30	1
13	02203530	Bearing 6207 2RS	2
14	02203540	Spacer L:66	1
15	02211161	Pinion, 35Bore 16Pin 115 OD Z7	1
16	02203590	Washer	1
17	55070010	Bolt,8-1.25mm X 18mm	1
18	02205340	Snap Ring E35	2
19	02205350	Spacer, 1.765 X 1.385 X .038	2
20	02203620	Chain wheel Z15 1/2"	1

Drive Train Group



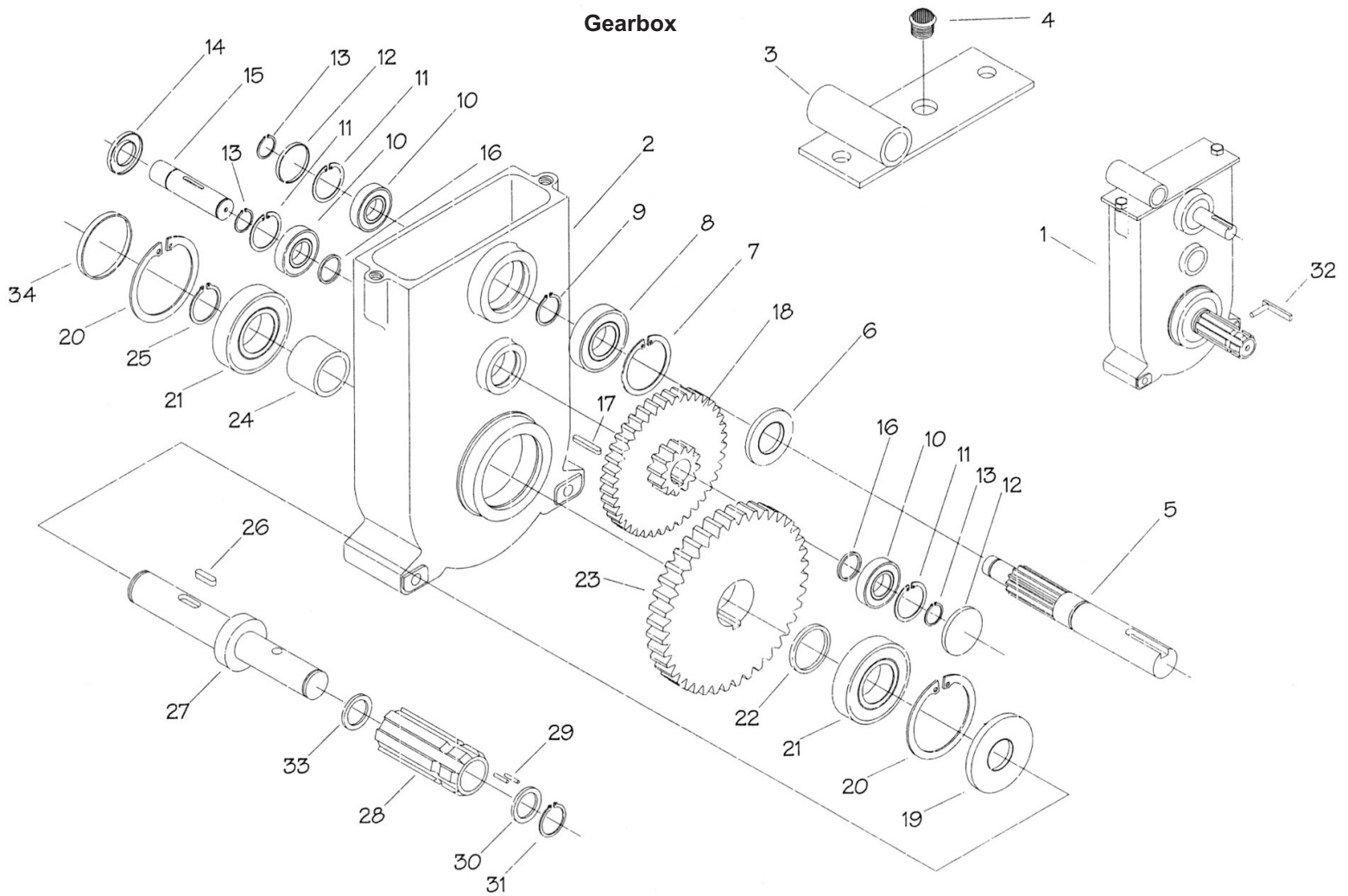
No.	Part Number	Description	Qty.
21	02206530	Pin for belt tightener L:80	1
22	02207030	Spacer 1mm	2
23	02203180	Spring	1
24	02201200	Meter-counter	1
25	59904163	Tach Pulley 1.338 A1 340000+	1
26	02203670	Meter-counter support	1
27	02203661	Belt, Tach, Dia 3.5mm X 590mm	1
28	59404411	Pulley, Tach .966	1
29	02208160	Gearbox 93 to 1	1
30	02205510	Key 6x50	1
31	02205931	Pulley, 166mm 191mm 213mm	1
32	02207040	Lever for belt tightener	1
33	02206540	Pulley for belt tightener	1
34	02203560	Antireverse key	1
38	02203560	End Support	1
39	02203440	Bearing 6005 2RS	1
40	02203551	Turbine Mechanism Support A1	1
41	02201210	Shield, PTO Cover	1

Gearbox



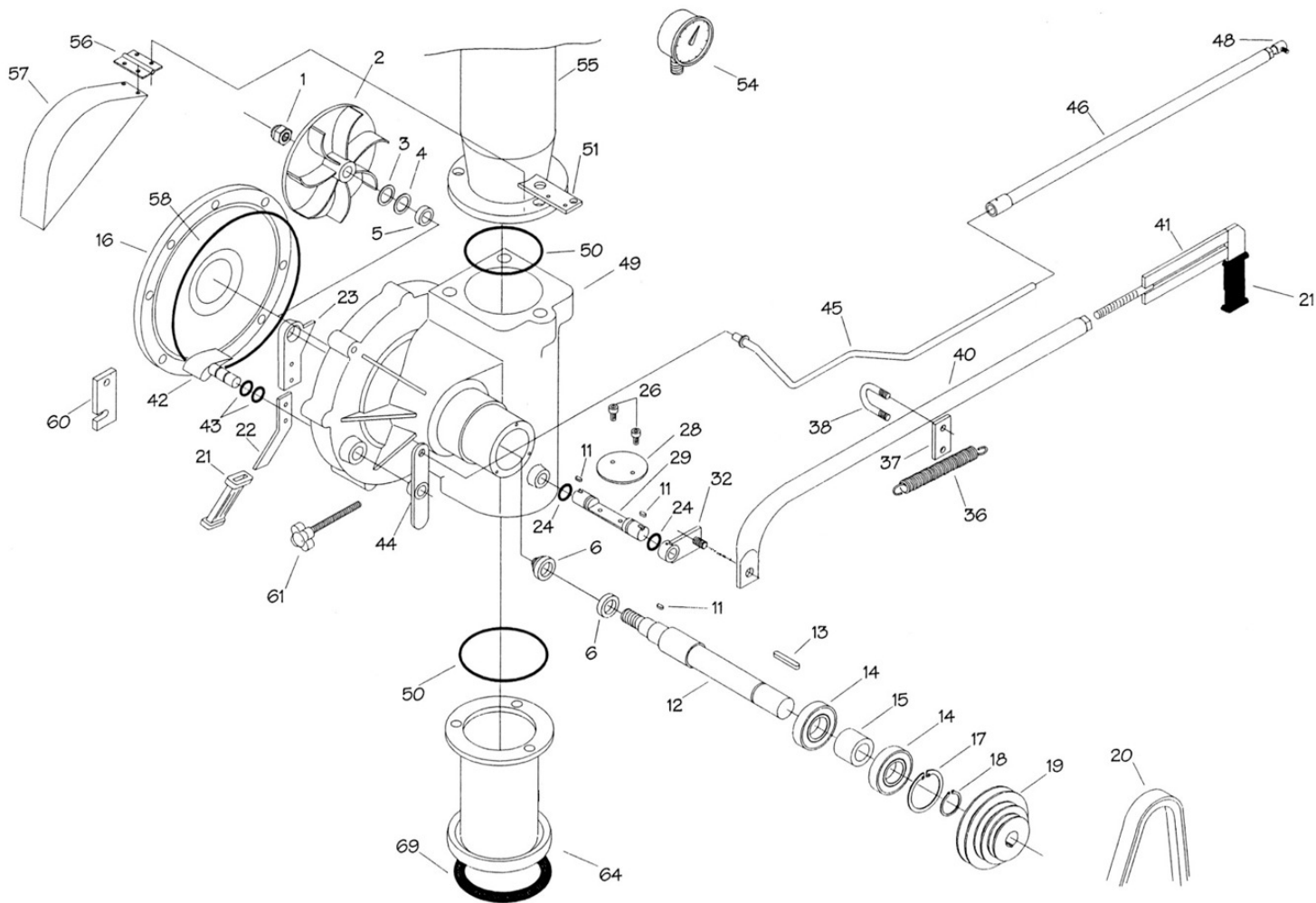
No.	Part Number	Description	Qty.
1	02208160	Gearbox 93-1	1
2	02207060	Housing, Gearbox 93-1	1
3	02207070	Gearbox cover	1
4	02206410	Breather 1/4"	1
5	02201641	Shaft, Gearbox Input - 93-1 Box	1
6	02201650	Oil retainer Ø 20×47×7	1
7	02203430	Stop ring Ø i47	1
8	02201670	Bearing 6204 2RS	1
9	02201680	Stop ring Ø E20	1
10	02201690	Bearing 6201	3
11	02201700	Stop ring Ø i32	3
12	02201710	Plug Ø 32	2
13	02201740	Stop ring Ø E12	2
14	02201720	Oil retainer Ø 12mm × 32mm x 7mm	1
15	02201730	Shaft	1
16	02207090	Shim dia. 12×0,5	1
17	02201760	Key 4×10	1
18	02207100	Double pinion Z15 M1,5 / Z150 M1	1
19	02201800	Oil retainer 62x35×7	1
20	02201810	Stop ring Ø i62	2
21	02201820	Bearing 6206	2

Gearbox



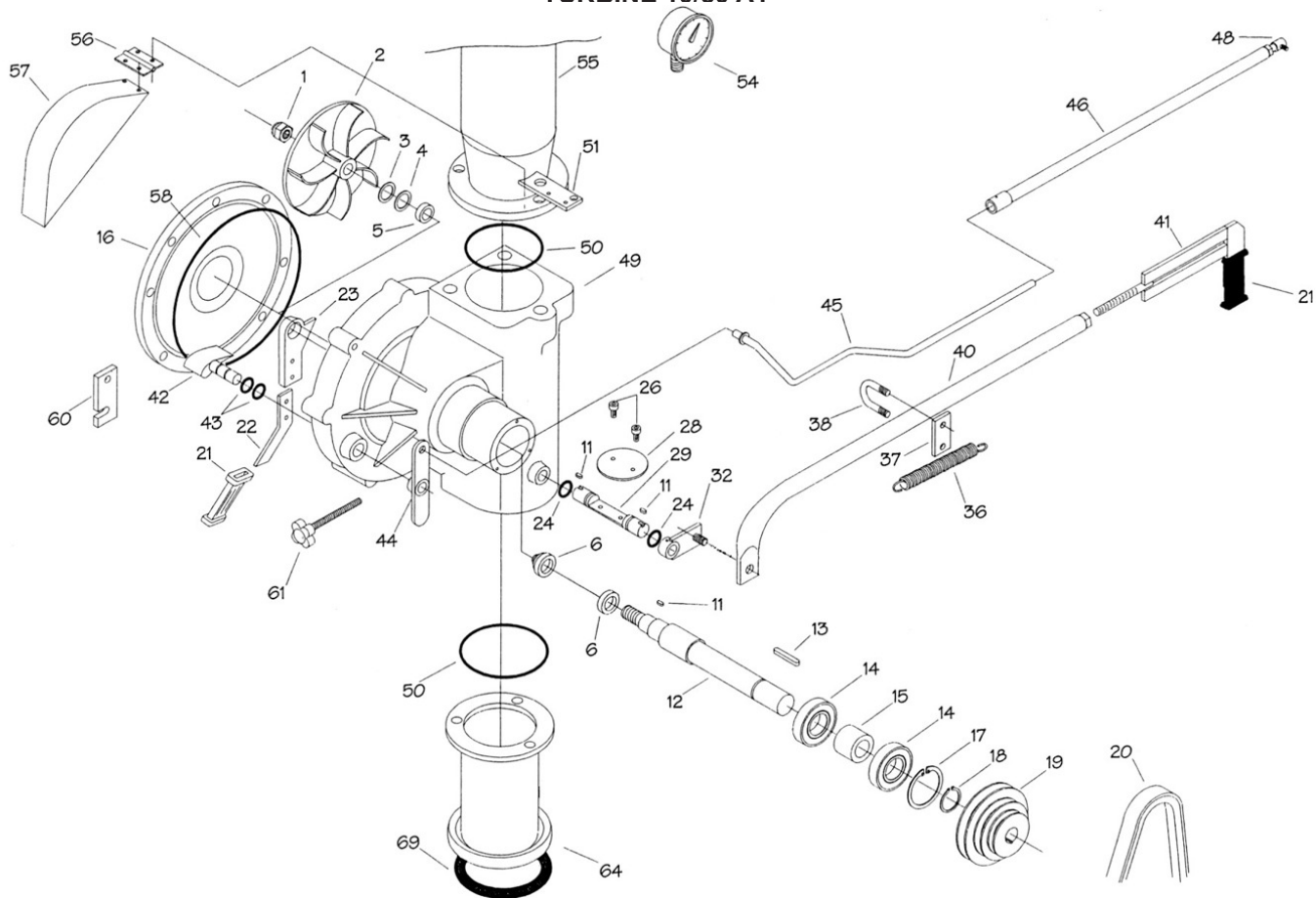
22	02201830	Shim sp:3		1
23	02207120	Pinion Z111 M1,5		1
24	02207110	Spacer sp:19,5		1
25	02201870	Stop ring Ø E30		1
26	02201850	KEY, 8MM X 8MM X 20MM		1
27	02201790	Output Shaft		1
28	02201950	Splined pin		1
29	02201930	Bearing pins Ø 1,9×17,5		62
30	02201900	Washer B14 Ø 18 sp:3		1
31	02201890	Stop ring Ø E18		1
32	02201910	Safety key		1
33	02201940	Washer B14 Ø 22 sp:3		1
34	02206240	Plug Ø 62		1

TURBINE 10/50 A1



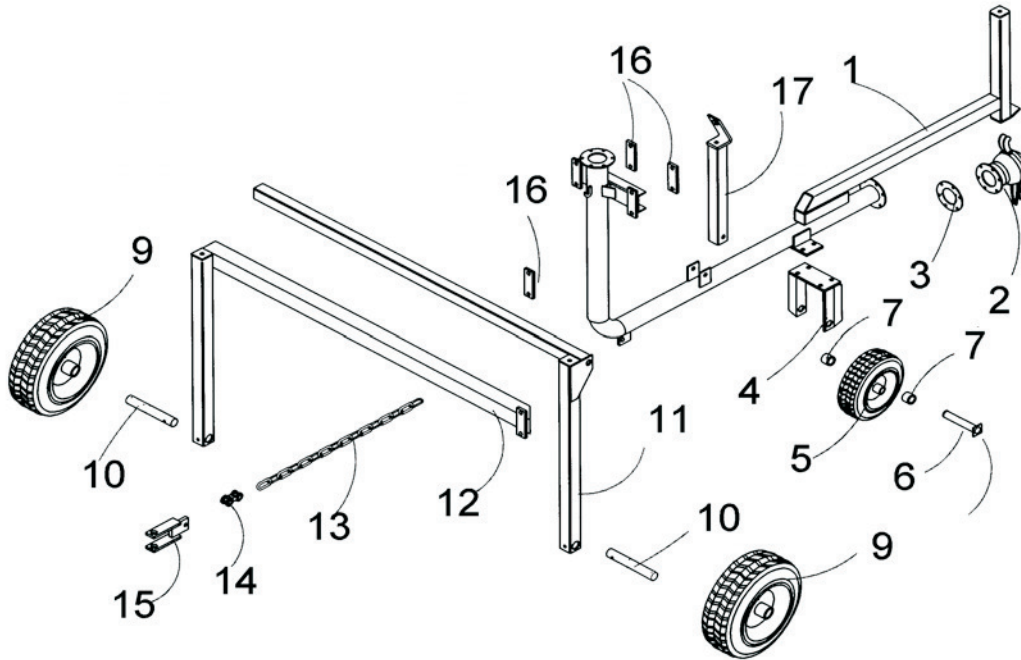
No.	Part Number	Description	Qty.
1	02201980	Self locking thin nut M14 × 1,5	1
2	02201990	Impeller	1
3	02205430	Shim Ø 16,2 × 23,8 sp:0,25 millar	-
4	02203010	Spacer, .28" Thick X .64" ID X 1.0"OD	1
5	02203000	Spacer Ø25×16×7	1
6	02205450	Seal 20 × 6	1
11	02203370	Key 5×10	3
12	02203260	Impeller shaft	1
13	02205510	Key 6 × 50	1
14	02201671	Bearing 5204 2RS (Double roll beaing)	1
14A	02201670	Bearing 6204 2RS (Single Roll, Two used sometimes)	1
15	02203250	Spacer , .134 Thick (when both are single roller bearing)	1
15a	5537001	WASHER,FLAT 37MM X 20MMX3MM (used with Double Roll)	1
16	02203340	Cover	1
17	02203240	Stop ring I47	1
18	02201680	Stop ring E20	1
19	02205920	Pulley 45-67-92	1
20	59904282	Belt AX 38	1
21	02204140	Hand grip	2
22	02205570	Plate by-pass lever	1
23	02205581	Lever	1
24	02203060	O-ring dia. 10.77×2.62	1

TURBINE 10/50 A1



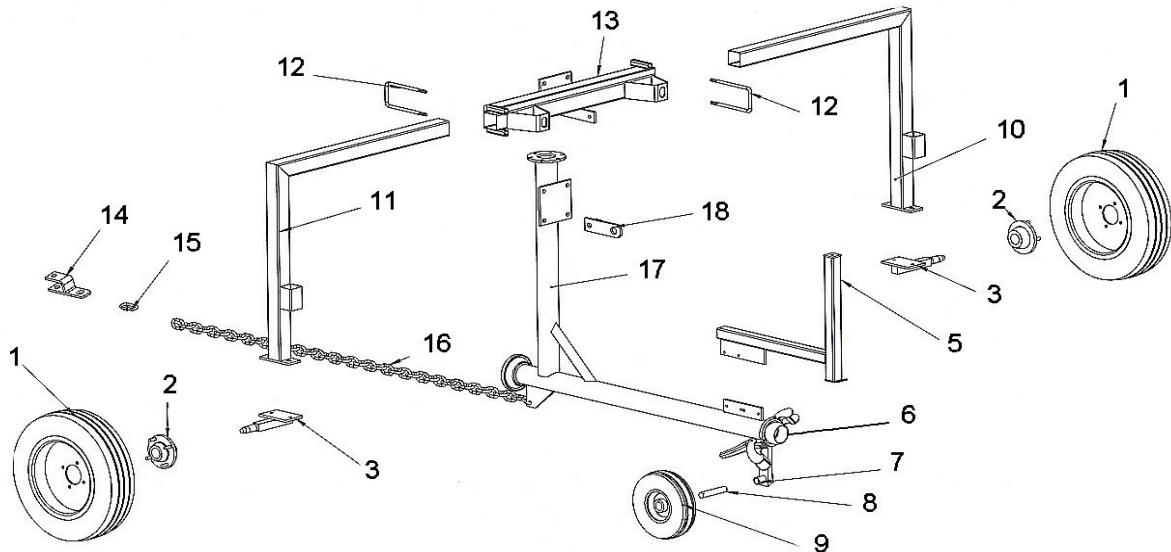
26	02203050	Screw 6 × 16 inox		2
28	02203400	Disc, by-pass		1
29	02203071	Shaft, By Pass		1
32	02203100	By-pass Control Lever		1
36	02203180	Spring		1
37	02203170	Spring support		1
38	02203120	U-bolt M8		2
40	02203112	By-pass rod		1
41	02203162	Tie rod 14mm		1
42	02203320	Regulator flap with pin		1
43	02203310	O-ring 8.73 X 1.78		2
44	02214870	Control Lever		
45	02203130	Rod, Turbine Side		1
46	02205690	Rod, Hose Retention Side		1
48	02203410	Rod End, Dia 8		1
49	02203020	Turbine body		1
50	02203030	O-ring dia. 71.54 X 3.53		2
51	02205711	Shield Bracket		1
54	58606750	Pressure gauge 0-300#		1
55	02210310	Elbow, Upper (340000+)		1
56	02203890	Hinge		1
57	02203880	Cover belt carter		1
58	02203330	O-ring dia. 203×3.53		1
60	02205731	Stop plate 10/50		1
61	02203910	Hand wheel		1
64	02203080	Lower feeding elbow		1
69	58800223	Gasket BAUER 3"		1

Guncart Assembly early 2004 model



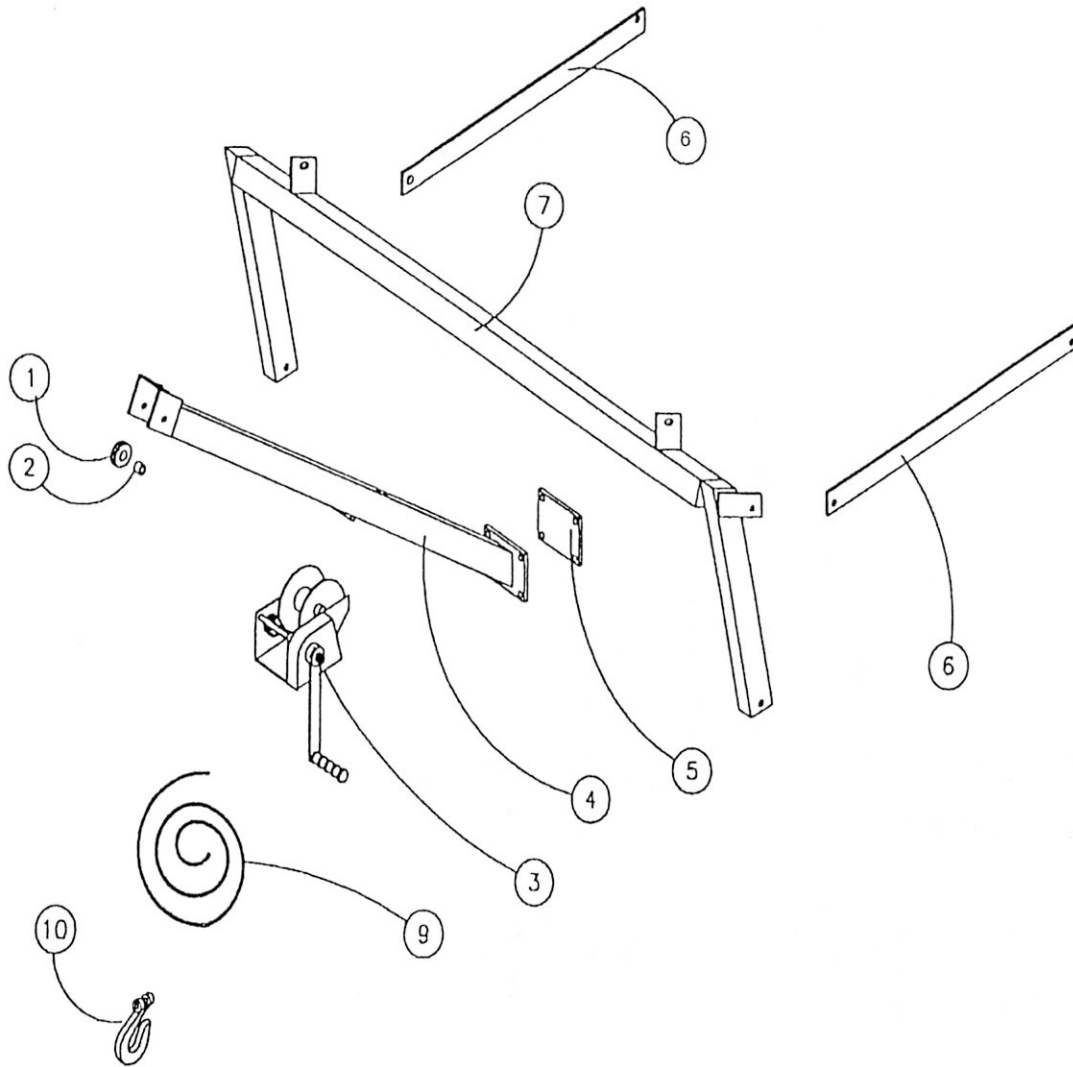
No.	Part Number	Description	Qty.
1	59602670	Body Guncart 25	1
2	59602660	Flange & Ball	1
3	59701310	Gasket, 6 Hole 4" BCD	1
4	58801481	Yoke	1
5	58608110	Wheel & Tire, 4:1 x 3:5 x 4 1B2P	1
6a	58608990	Axle, Front	1
6b	55348441	Grease Zerk 1/8MNPT (Not Shown)	1
7	58608440	Spacer	1
9a	58602291	Wheel & Tire, 5:7 x 5 x 8B1.25 4 Ply	2
9b	55348730	Washer, wheel spacer (not shown)	4
9c	58602294	Wheel & Tire,4:80X12 Galv. (Not shown A1 3")	2
10a	59504280	Spindle, Guncart	2
10b	59601370	Spindle,A1 Cart Rear Axle (Not Shown A1 3")	2
11	59504290	Leg, Inner 25 Guncart	1
12	59504260	Leg, Outer 25 Guncart	1
13	85040600	Chain, 3/8" Proof Coil	3 Ft.
14	52353941	Clevis, Dbl Cmb1 542-3301	2
15	52354210	Hitch, Chain	1
16	58706411	Strap	3
17	59405760	Bail, Lift	1
19	50000240	Flange Adapter 2" to Nelson 100 Gun (Not Shown)	1
20	59901960	Weight Guncart (Not Shown A1 3")	2
21	59902070	Weight Holder (Not Shown A1 3")	2

Guncart Assembly Current 2004 models



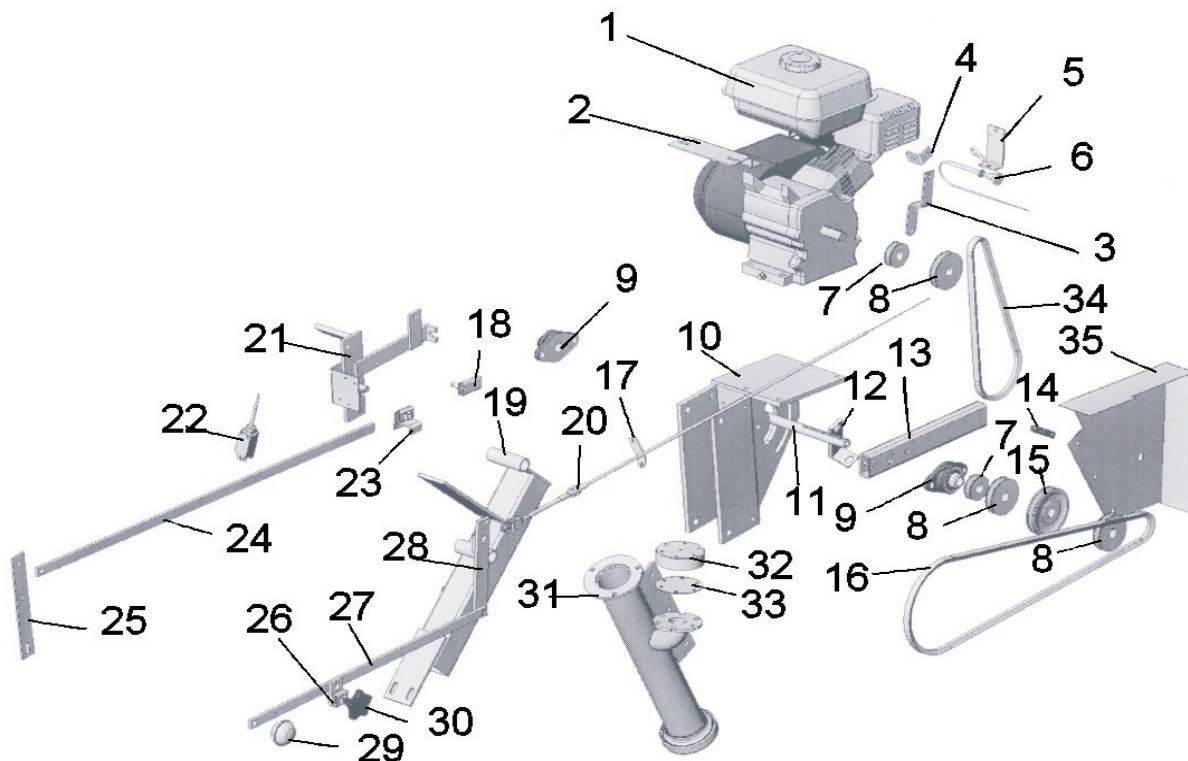
No.	Part Number	Description	Qty.
1	02210380		2
2A	02203911	HUB, WHEEL -AA	2
2B	02203920	BEARING, TAPERED ROLLER 30205 (NOT SHOWN)	2
2C	02203940	NUT, SPINDLE 18MMX1.5 (NOT SHOWN)	2
2D	02203950	DUST CAP (NOT SHOWN)	2
2E	02203900	BEARING, TAPERED ROLLER 30204	2
3		SPINDLE	2
5	50404330	SHUT OFF STOP A1 CART 390,000+	1
6A		BALL	1
6B	58800221	LEVER RING 3" 451 76MM	1
7	50404440	SPACER, A1 GUNCART AXLE 390,000+ PL	1
8	02216550	AXLE, FRONT GUNCART	1
9		WHEEL	1
10	02216520	LEG	1
11	02216510	LEG	1
12	02216500	U-BOLT, M16	2
13	02216540	LEGS SUPPORT	1
14	53254210	HITCH, CHAIN	1
15	52353941	CLEVIS,DBL CMBL 542-3301	1
16	85040600	CHAIN,3/8 PROOF COIL PLTD	FT. 3
17	02216530	BODY, GUNCART	1
18	50404350	LIFTING ARM A1 GUNCART 390,000+ PL	1

Boom Assembly



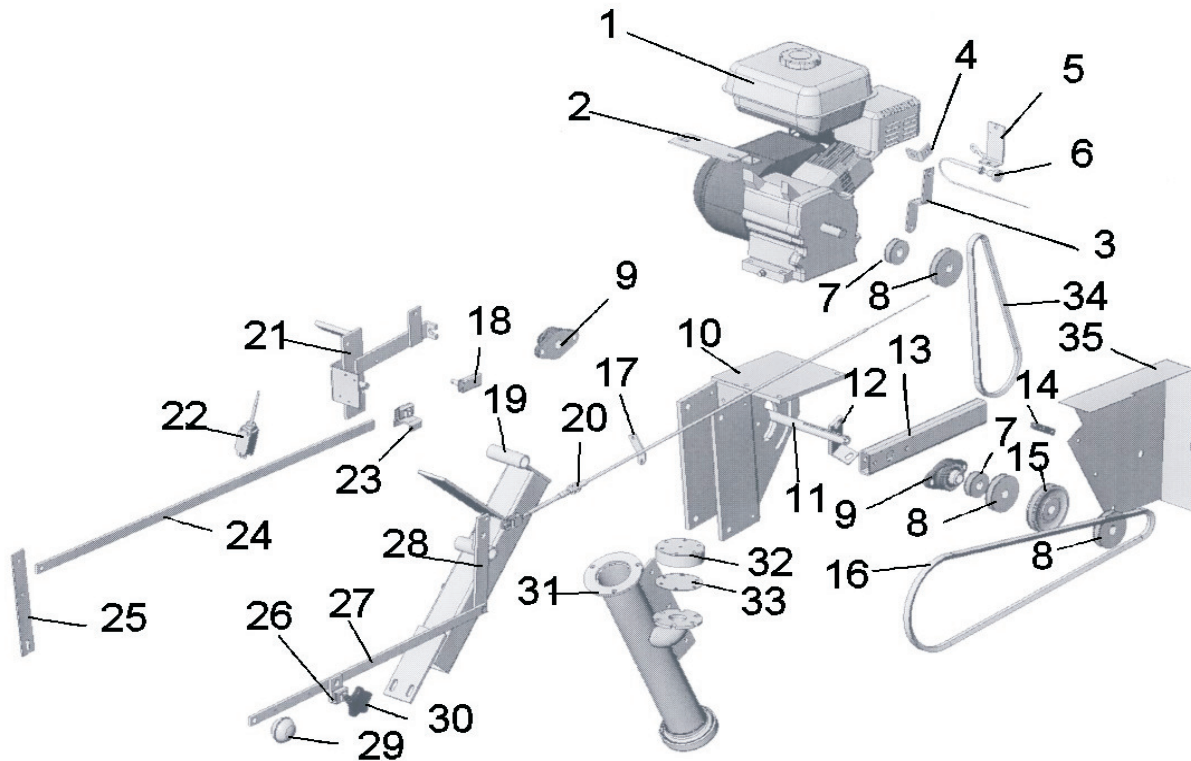
No.	Part Number	Description	Qty.
1	40249060	Pulley, 2X 17.32 WRP	1
2	32551910	Bushing, .56 X .843 X .62 Long	1
3	40048551	Winch, Fulton K 1550	1
4	50404280	Boom, A1 390,000+	1
5	58803450	Clamp, Plate	1
6	59405240	Brace, Boom	2
6A	50300570	Brace With Operator Mt. - A1	1
7	59405220	Boom Lift	1
9	75048440	Cable, 1/4 Galv. 7 X 19 Gac	15 ft.
10	52355650	Hook	1

Engine Drive



No.	Part Number	Description	Qty.
1	58407017	ENGINE,HONDA 4HP KEYED SH	1
1a	59904430	TANK,HONDA 8.5HP	1
1b	50202810	KIT, HONDA REMOTE CHOKE (not shown)	1
1c	59904390	SCREW SWIVEL TO WIRE (not shown)	1
2	59903750	BRKT,TANK MT HONDA	1
3	59903760	BRKT,TANK MT HONDA	1
4	50202830	BRACKET, CHOKE ANGLE	1
5	59903440	SWITCH HOLDER	1
5a	59902790	SWITCH,ROBIN SHUT OFF (not shown)	1
6	50202820	CABLE, CHOKE	1
7	59902930	PLLY, 2" X 3/4 BORE STEEL NO HUB	2
8	59903410	PULLEY 3" X 3/4 BORE	3
9	59903380	BEARING,2 HOLE 3/4B CAST	2
10	50300560	ENGINE BASE A1	1
11	59902770	JACKSHAFT ENGINE A SERIES	1
12	50300790	TACH MT. A1 ENGINE DRIVE	1
13	59903020	ARM,IDLER A1	1
14	45048582	SPRING .5 ODX2 X.047W	3
15	59902950	PLLY, 4" X 3/4 BORE	1
16	59903431	BELT AX 41	1
17	59900660	THROTTLE CABLE MT.	1
18	59900420	SLIDE,SWITCH ROD	1
19	50300700	BRAKE MT. A1 ENGINE	1
20	59901320	THROTTLE CONTROL CABLE	1
21	50300760	THROTTLE MT. A1 ENGINE DRIVE	1

Engine Drive



QTY	DESCRIPTION	UNIT	QTY
23	50300611 SWITCH, RAMP	PL	1
24	50300581 SHUT OFF ROD	PL	1
25	59900260 BACKING PLATE		1
26	59900270 SWIVEL		1
27	59900280 LINK, THROTTLE		1
28	59900350 THROTTLE PIVOT ARM		1
29	30249150 KNOB, BALL 3/8-16 FEMALE THREADS		1
30	50100050 KNOB, STAR 3/8-16 X 1" MALE		1
31	50300640 ENTRY, FITTING A1 ENGINE		1
32	58606901 BODY, GAUGE PROTECTOR-TOP		1
33	58700460 DIAPHRAGM, GAUGE PROTECTOR		1
34	59903420 BELT AX 24 (NOTCHED)		1
35	59903010 SHIELD		1