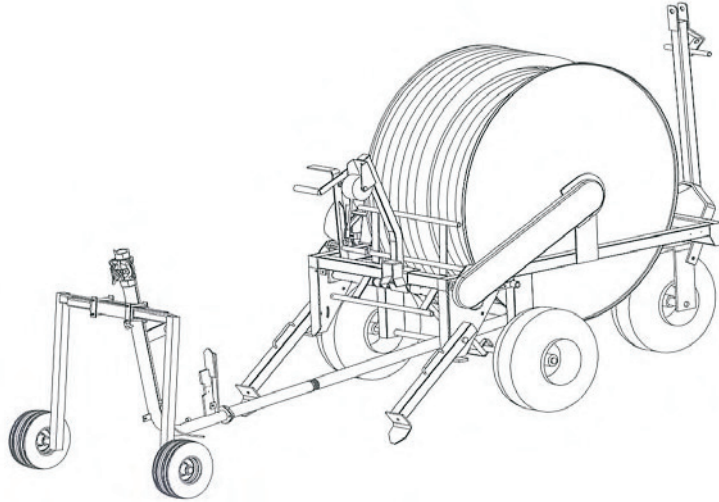


Jan. 01, 2005 T160/210C S/N 400,000+



Water-Reel[®] Irrigation

PARTS MANUAL

T160C - T200C

Serial Number 400,000+

700 S. Schrader Ave.
P.O. Box 290
Havana, IL 62644
Phone: (309)543-4425
Fax (309)543-4945
www.kifco.com

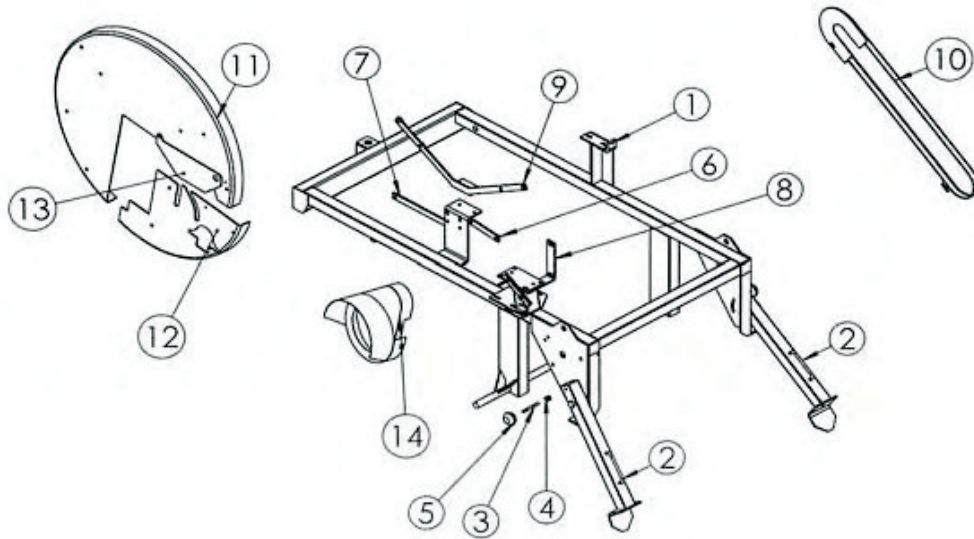
Table of Contents

Groups

Main Frame Group	3
Main Frame Group (Later S/N's)	4
Wheel Group	5
Tongue and Front Yoke Group	5
Spool Group	6
Drive and Shut Off Group	7-8
Plumbing Group with Solid Turbine Manifold	9-10
Plumbing Group with Cast Turbine Manifold	11-12
Levelwind Group	13
Tube Rider & Shut Off	14
Gun Cart Group	15
Booster Pump	16
Booster Pump break down	17
Self Priming Booster Pump break down	18
Engine Drive	19

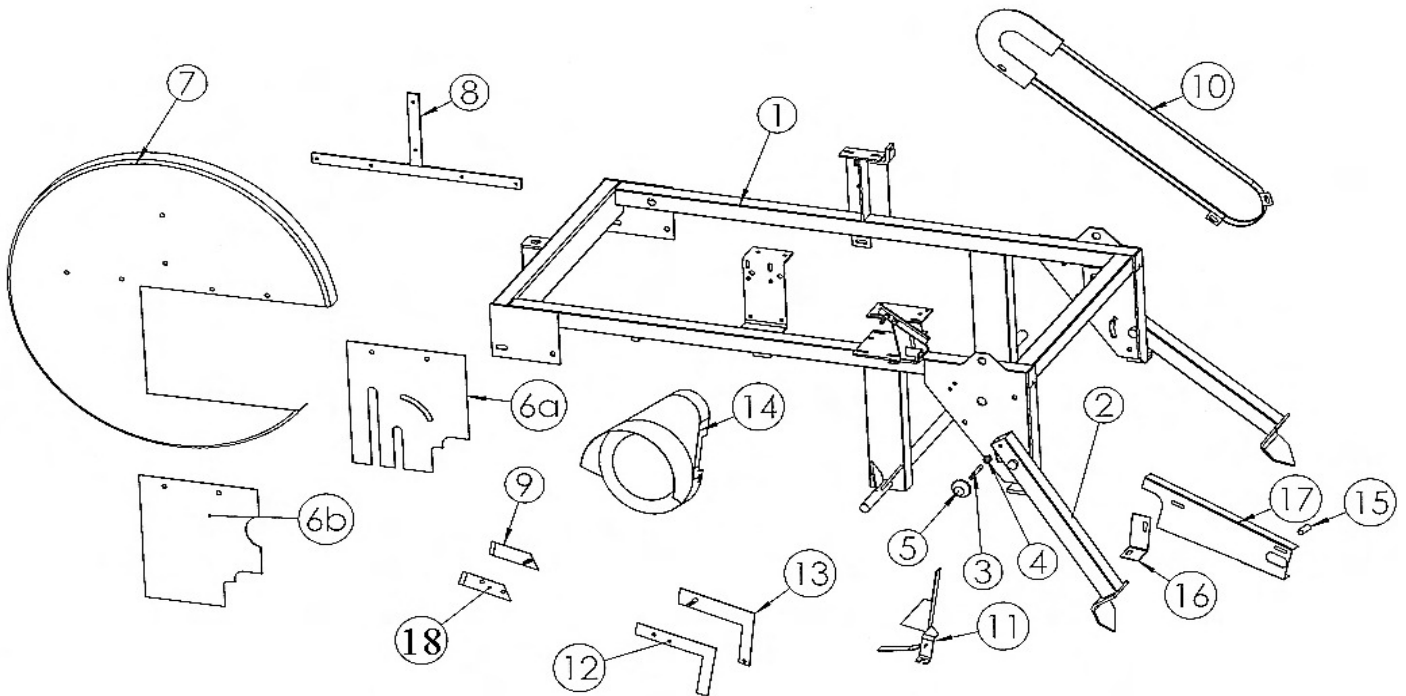
Items such as common fasteners, grease fitting, and other small parts easy to acquire locally are not listed

Main Frame Group early S/N's



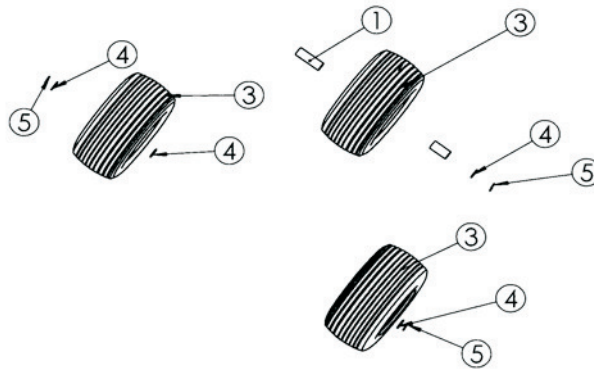
No.	Part Number	Description	Qty.
1		Frame Main WRT4C/(WRT5C not as shown)	1
2	50401740	LEG ASM, STABILIZER - WRT4C/T5C	2
3	50401900	PIN, STABILIZER LOCK-WRT4C/5C	2
4	50402150	SPRING, COMP 3/4 X 7/8 X .052	2
5	30249150	KNOB,BALL 3/8-16 FEMALE THREADS	2
6	50402620	BRACKET ASM, GEAR GUARD - WRT5C	1
7	50403360	BRACKET ASM. GEAR GUARD - WRT4C/5C	1
8	50403370	BRACKET, RING GEAR GUARD - WRT4C/5C	1
9	50309000	BRACKET ASM,RING GR GRD-WRT4C/5C	1
10a	50308971	GUARD ASM, LEVELWIND CHAIN - WRT4C	1
10b	50308981	GUARD ASM, LEVELWIND CHAIN - WRT5C	1
11	50308990	GUARD, UPPER RING GEAR - WRT4C/5C	1
12	50308991	GUARD, LOWER RING GEAR - WRT4C/5C	1
13	50308992	GUARD, BELT DOOR - WRT4C/5C	1
14	50400741	GUARD, POWERTRAIN CHAIN-WRT4C/5C PB	1
15	50200050	WHEEL, MANUAL TUBE WIND (not shown)	1
16	50201490	HAND WHEEL MT. (not shown)	1
17	50201650	SPRING CATCH HAND WHEEL (not shown)	1

Main Frame Group Later S/N's



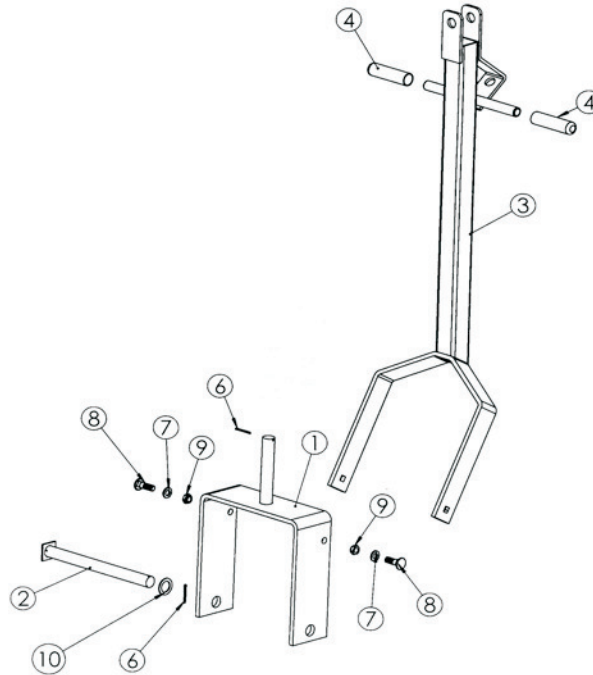
No.	Part Number	Description	Qty.
1		Frame Main WRT4C/(WRT5C not as shown)	1
2	50401740	LEG ASM, STABILIZER - WRT4C/T5C	2
3	50401900	PIN, STABILIZER LOCK-WRT4C/5C	2
4	50402150	SPRING, COMP 3/4 X 7/8 X .052	2
5	30249150	KNOB,BALL 3/8-16 FEMALE THREADS	2
6a	50601310	GUARD,LOWER RING GEAR TURBINE	1
6b	50601311	GUARD,LOWER RING GEAR ENGINE	1
7	50601300	GUARD,UPPER RING GEAR TURBINE/ENGIN	1
8	50601260	SHIELD BRKT TOP	1
9	50601030	SHIELD GUIDE	1
10a	50308971	GUARD ASM, LEVELWIND CHAIN - WRT4C	1
10b	50308981	GUARD ASM, LEVELWIND CHAIN - WRT5C	1
11	50601100	PINION GEAR SHIELD T/E5/5	1
12	50601041	SHIELD BRKT FRONT T/E5/5	1
13	50601060	SHIELD BRKT FRONT T/E5/5	1
14	50400741	GUARD, POWERTRAIN CHAIN-WRT4C/5C PB	1
15	50601110	BUSHING, BELT GUARD MT. REAR	1
16	50601010	FRONT SHIELD MT. E4/5	1
17	50601000	SHIELD, CHAIN WRE4/5 TURF	1
17a	50601001	SHIELD, CHAIN WRE4 IRRIGATION	1
17b	50601002	SHIELD, BELT WRE5 IRRIGATION	1
18	50601020	SHIELD GUIDE REAR T/E5/5	1
19	50200050	WHEEL, MANUAL TUBE WIND (not shown)	1
20	50201490	HAND WHEEL MT. (not shown)	1
21	50201650	SPRING CATCH HAND WHEEL (not shown)	1

Wheel Group



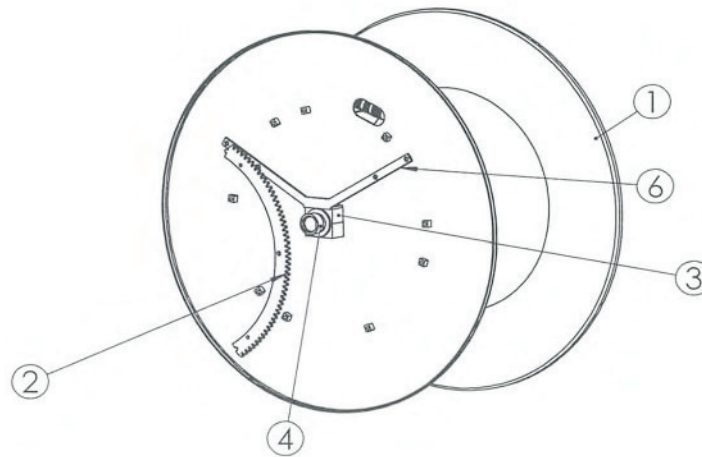
No.	Part Number	Description	Qty.
1	50303862	SPCR,FRNT AXLE(3.13")-WRT4C/5C	2
3a	59903941	WHEEL ASM,TIRE,RIM,BUSH 18X8.5X8X1"	3
3b	58802500	HUB ASSY,4BOLTW440 1-1/16 (WRT5C only) not shown	2
3c	59903940	WHEEL&TIRE20X10X8 4BOLT4" (WRT5C only) not shown	2
3d	59903941	WHEEL ASM,TIRE,RIM,BUSH 18X8.5X8X1" (WRT5C only) not shown	1
4		BUSH, MACH 1-1/2X1X14GA	5
5		PIN, COTTER 1/8 X 1-1/2	3

Tongue and Front Yoke Group



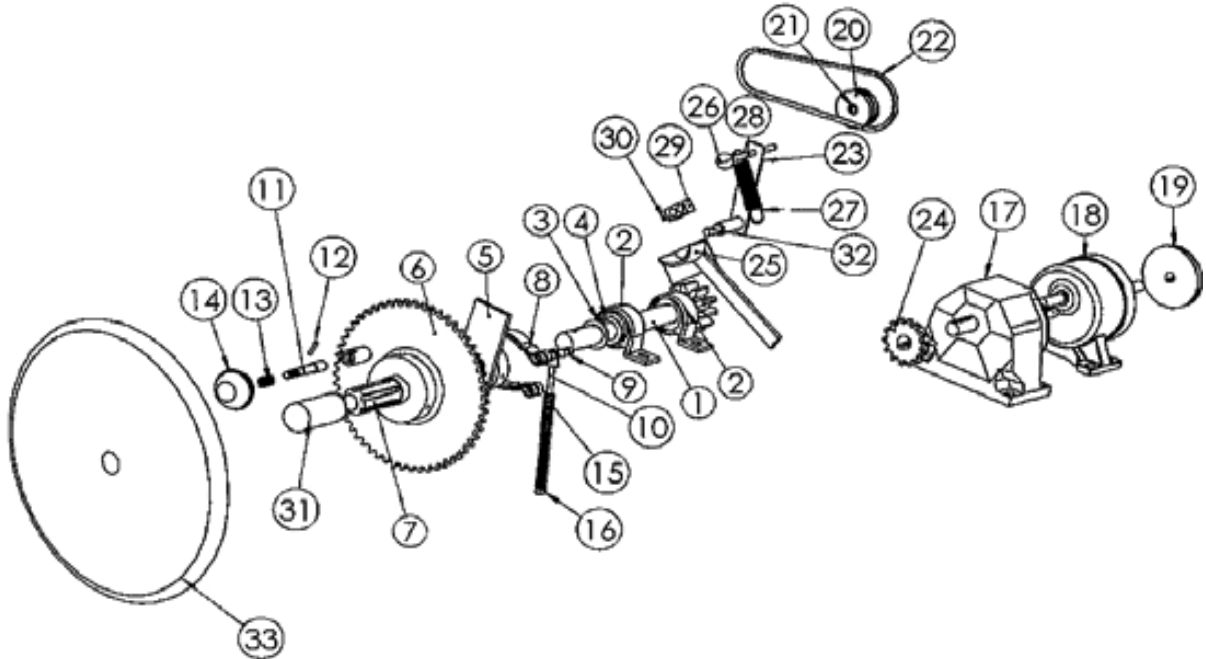
No.	Part Number	Description	Qty.
1	50303540	YOKE ASM, FRONT- B130C TO B200C KR	1
2	50303151	AXLE ASM, FRONT-B130C THRU T200C KR	1
3	50303210	TONGUE ASM - B130C THRU T200C KR	1
4	58702520	GRIP,BLACK MOCAP.812X4.0"	2
6		PIN, COTTER 1/8 X 1-1/2	2
7		WASHER, FLAT SAE 1/2"	2
8		BOLT, CARR 1/2 X 1-1/2	2
9		NUT,JAM NYLOCK 1/2	2
10		BUSH, MACH 1-1/2X1X14GA	1

Spool Group



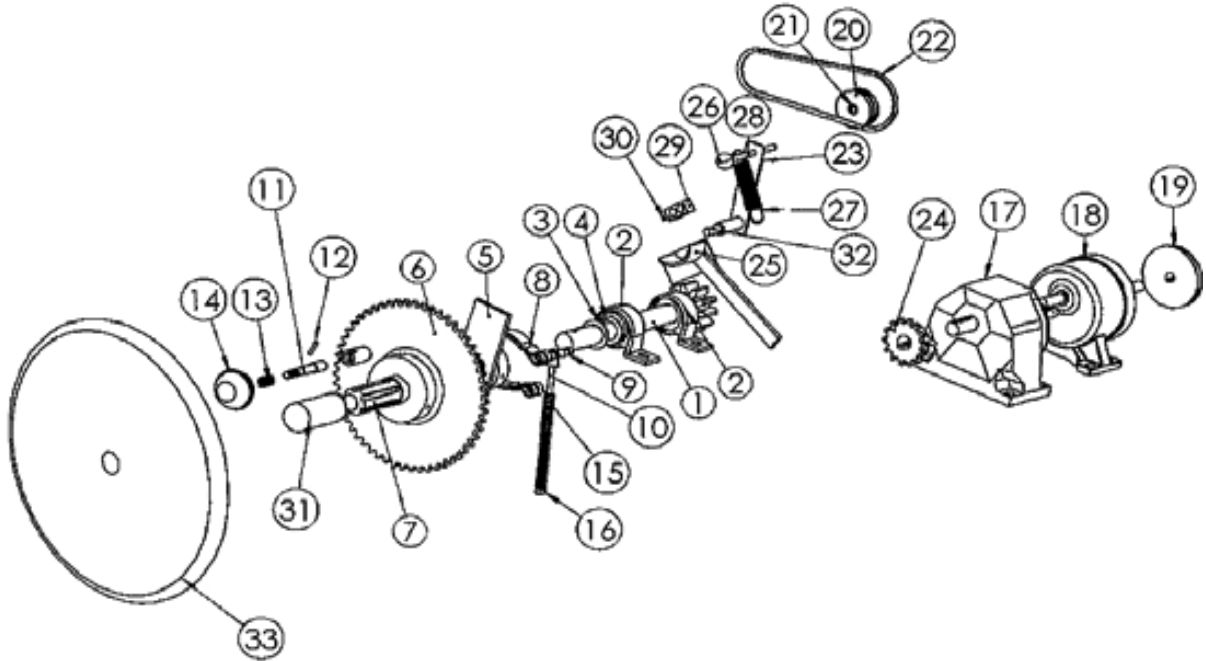
No.	Part Number	Description	Qty.
1a	50401601	SPOOL ASM, PE TUBE - WRT4C 27"	1
1b	50401602	SPOOL ASM, PE TUBE - WRT4C 30.5"	1
1c	50401600	SPOOL ASM, PE TUBE - WRT5C	1
2	50004871	GEAR SEGMENT, PE SPOOL - WRT4C/5C	3
3	50302191	BEARING, HALF 2.25" (UHMW)-WRT4C/5C	4
4	50302281	SLEEVE, STAINLESS - WRT4C/5C	1
5	50305470	PLATE, BEARING - WRT4C/5C (not shown sprocket side of spool)	1
6	50309000	BRACKET ASM, RING GR GRD-WRT4C/5C	1
7a	03019143	SUPRA CLAMP 51MM-55MM (not shown)	1
7b	03019160	SUPRA CLAMP 59MM-63MM (not shown)	1

Drive Train Group



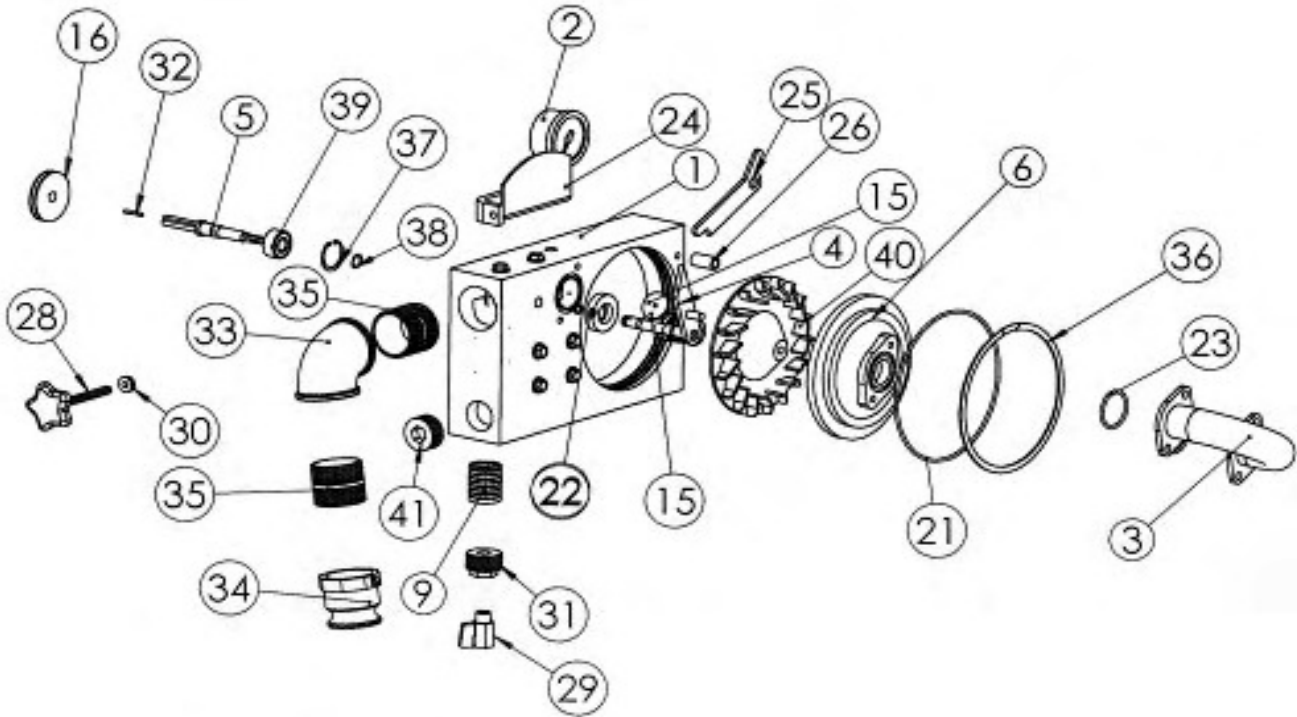
No.	Part Number	Description	Qty.
1	50304110	SHAFT ASM, PINION - WRT4C/5C	1
2	58609830	BEARING, PLLW BLCK 1"	2
3	58505310	BUSH, MACH 1-1/2X1X14GA	3
4	56316621	KEY 1/4 X 1/4 X 3/4	1
5	50003160	BRAKE DRUM, CLUTCH DOG	1
6a	50002160	SPROCKET ASM, CLUTCH-WRT3/4/5 & C	1
6b	87548450	CHAIN, #40 ROLLER PER FT (70Rollers T160)(70Rollers + two offset T200)	ft. 2.9'
7	50003180	PTO SPLINE ADAPTOR	1
8	50006220	BRAKE BAND	1
9	50104140	PIN, BRAKE BAND RET. WRT	1
10	50001851	SCREW ASM, BRAKE ADJUST-WRT4C/5C	1
11	59801300	CLUTCH DOG PIN	1
12	58505911	PIN, SPRING 5/32 X 3/4	1
13	50006210	SPRING, COMP .50"ODX.90LNG.046 W	1
14	30249150	KNOB, BALL 3/8-16 FEMALE THREADS	1
15	50104331	SPRING, COMP. .075W X .5 OD X 5.0"	1
16	58702251	NUT, SS 1/4 NYLOC	1
17	50008501	GEARBOX 50-1 B TURB. LARGE (T200/210)	1
18a	50008500	GEARBOX 50-1 B TURB. SMALL (T180) Before S/N 400718 & (T200S) Before S/N 400436	1
18b	50008501	GEARBOX 50-1 B TURB. LARGE (T180) After S/N 400718 and (T200S) After S/N 400436	1
19	50400780	PULLEY, 2-1/2, 3-1/4	1
20	50400800	IDLER, 2L BELT (TWO GROOVE) PLASTIC	1
21	50400880	SLEEVE, IDLER BEARING INNER WRT5C (not used on later machines)	1

Drive Train Group



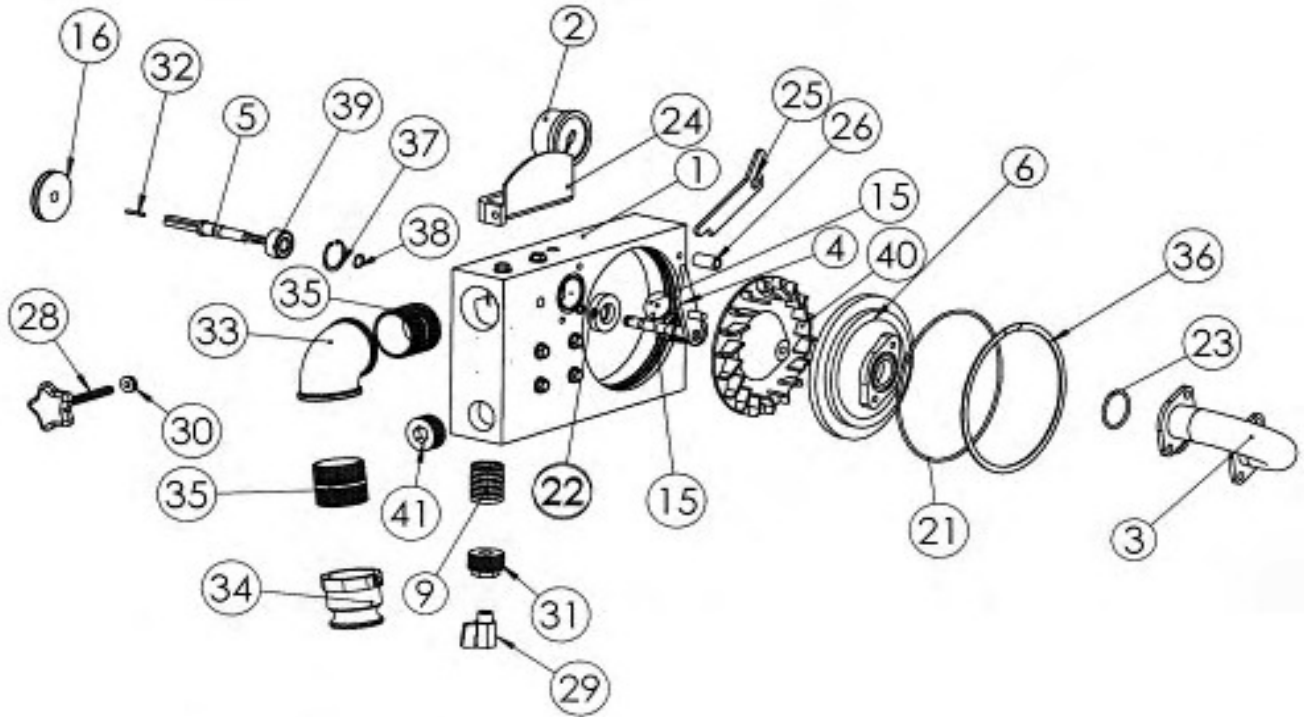
22	50400941	BELT, 2L31	1
23	50402650	IDLER ASM, 2L BELT - WRT4C/5C (earlier s/n's)	1
23a	50402651	IDLER ASM, 2L BELT - WRT4C/5C (later s/n's)	1
23b	50500050	SLEEVE, IDLER (not shown, one used on each side of idler pulley #50402650)	1
24a	88048945	SPRKT,40B16 1/2"BORE (WRT4C only used on small gearbox)	1
24aa	88048946	SPRKT,40B16 3/4"BORE (WRT4C only used on largel gearbox)	1
24b	88049325	SPRKT,40B18 3/4 BORE (WRT5C only)	1
25	50005800	IDLER, CHAIN	1
26	50100060	KNOB, BALL 3/4" 1/4-20 FEMALE	1
27	50100260	SPRING, TENS 3/4 OD X .062W 3.5"L	1
28	50105820	STUD, 1/4-20 X 4.0"	1
29	50402350	PAWL, ANTI REVERSE - WRT4C/5C	1
30	50403320	PIN, SPRING 1/8" X 1-1/2 SS	1
31	50303682	CAP, BLACK MOCAP 1.375" X 3" FE	1
32	50102791	STUD, 3/8-16 X 3.0 ALL THREAD	1
33	50200050	WHEEL, PE TUBE HAND WIND	1
33a	50201490	BRACKET ASM, HAND WHEEL (NOT SHOWN)	1
33b	50201650	SPRING CATCH HAND WHEEL (NOT SHOWN)	1

Plumbing Group with Solid Turbine Manifold



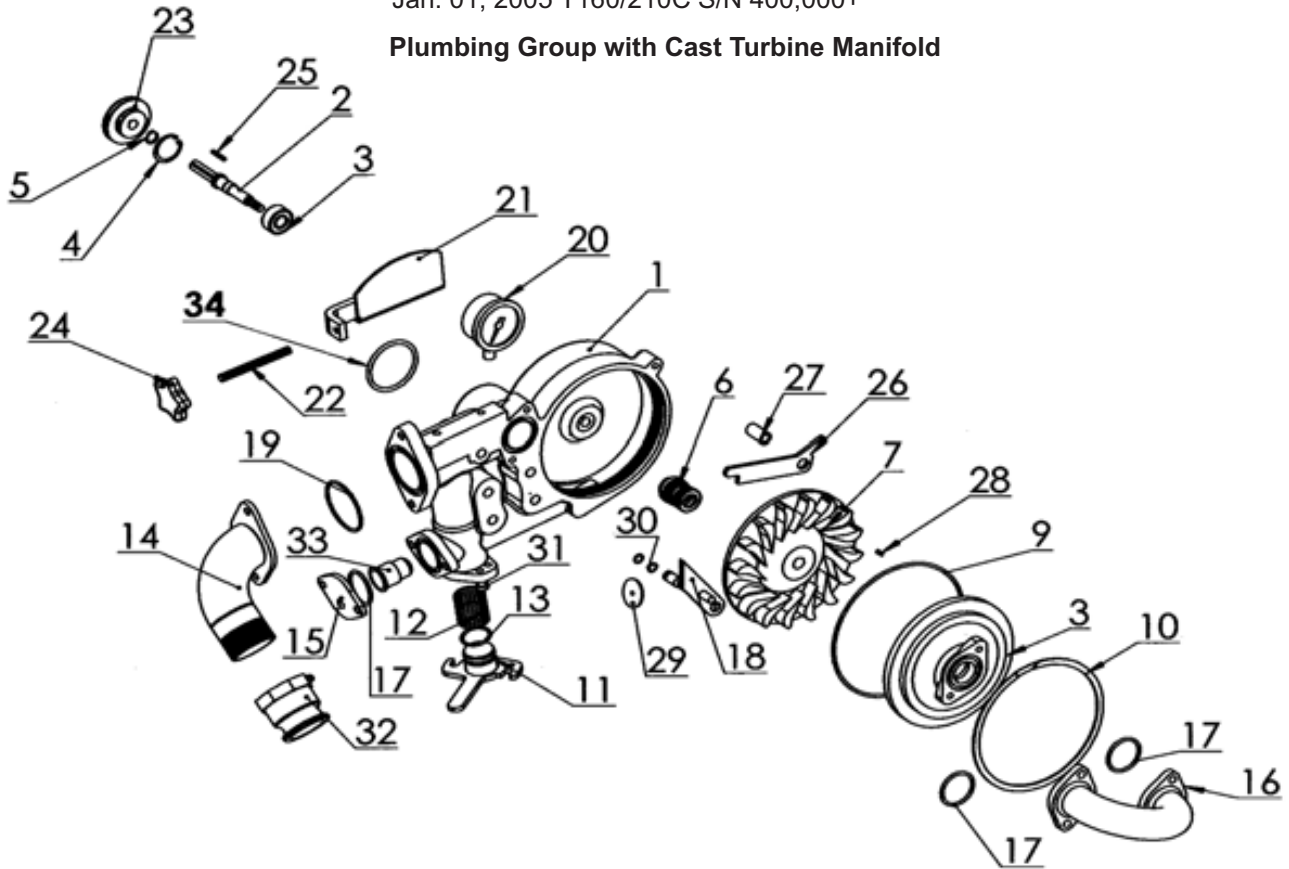
No.	Part Number	Description	Qty.
1	50406020	MANIFOLD,TURBINE(W/O COMP)-WRT4C/5C	1
2	58606740	GAUGE, PRESS 0-160	1
3	50304200	TUBE ASM, DISCHARGE - WRT4C/5C	1
4	50304350	SHAFT ASM, BYPASS - WRT4C/5C	1
5	50008210	SHAFT, RUNNER TURB. B-MACHINE	1
6	50001131	COVER, TURBINE -B-SERIES (MACHINED)	1
9	50304380	SCREEN, TURBINE MANIFOLD-WRT4/5C	1
11	55024711	BOLT,3/8 X 3-3/4	4
15a	50105321	WASHER,1-1/2 OD 3/16 ID 14GA.	1
15b	50403900	SCREW SS BUTTON HEAD 6-32 X 3/8" AL (not shown)	1
15c		WASHER,No.6 (not shown)	1
16	50400781	PULLEY, TWO STEP 1.5,2.5	1
19a	50308641	NOZZLE,9/16" TURB INLET-WRT4/5C (not shown)	1
19b	56248530	SCREW,SET CUP 3/8-16X1/2 (not shown)	1
20	46549131	SEAL,MECH 1/2"ID O-RING SEAT	1
21	50002550	O-RING 7.234 ID X .139	1
22	50008170	O-RING, .364 ID .070 CS X -012	4
23a	50008840	O-RING, 1-5/8 ID X .139 CS	2
23b	50301880	O-RING 2-7/8 X2-1/2 X3/16 (Not Shown)	1
24	50402710	SPEED CONTROL WRT4/5C	1
25	50400980	HOLD OUT STOP WRT4/5C	1
26	50402740	TUBE, STOP TURBINE HOLD OUT	1
27	50403130	KNOB, STAR 3/8-16 THREADED INSERT	1
28a	50403140	STUD 3/8"-16 THREAD, 4" LENGTH	1
28b	58609771	NUT,ACORN 3/8 SOLID SPEC	1
29	50403210	VALVE, BALL MALE/FEMALE 3/8 NPT	1
30a	50403280	NUT, KNURLED LOCKNUT 3/8-16	1
31	52549426	BUSH,REDUCING GLV 1-1/4X3/8	1

Plumbing Group with Solid Turbine Manifold



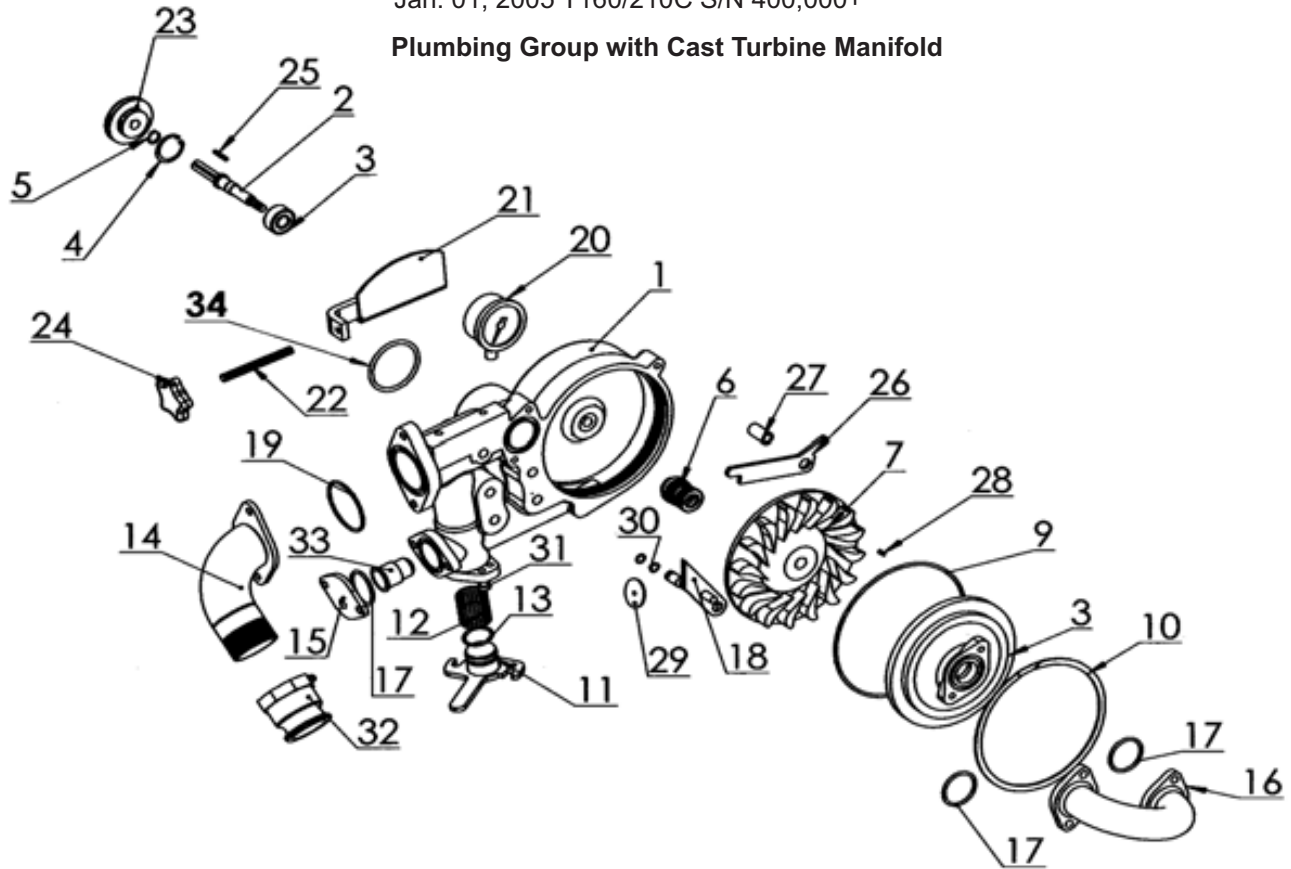
32	56348741	KEY 1/8 X 1/8 X 1	1
33	58408421	ELBW,CMMN AL 2X90DEG	1
34a	58701010	CMLK,A MA2X2FNPT	1
34b	50206161	HOSE,SUPPLY 2"C CAMLOCK END X 15 (Not Shown)	1
35	50102133	NPPL,2" X 3" SS SCHD 40	2
36	50006250	RING, INT. RETAINING MEDIUM 7.25"	1
37	50008720	INTR RETAINING RNG 1.526 FREE OD	1
38	50008710	RETAINING RING EX .55 FREE ID	1
39	50008900	BEARING,BALL 5202 2RS	1
40	50001291	RUNNER, TURBINE-B-SERIES(MACHINED)	1
41	52532151	PLUG, GLV 1-1/4" HEX SOCKET	1

Plumbing Group with Cast Turbine Manifold



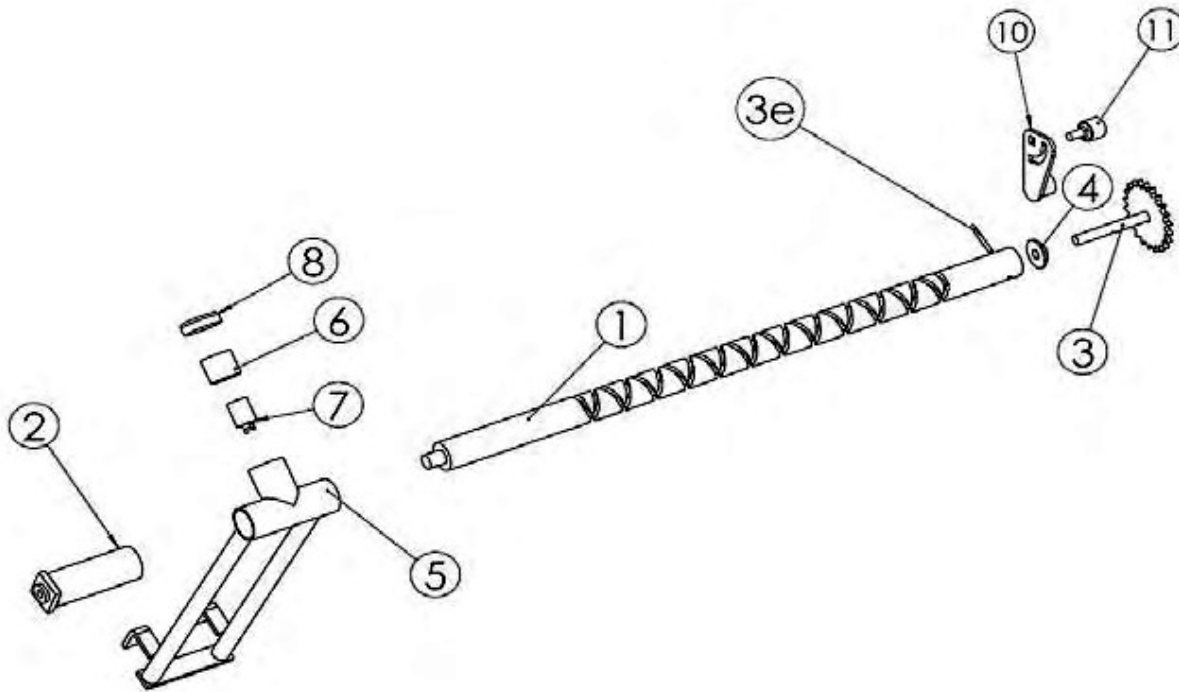
No.	Part Number	Description	Qty.
1	50500011	TURBINE MANIFOLD C SERIES MACHINED	1
2	50008210	SHAFT, RUNNER TURB. B-MACHINE	1
3	50008900	BEARING,BALL 5202 2RS	1
4	50008720	INTR RETAINING RNG 1.526 FREE OD	1
5	50008710	RETAINING RING EX .55 FREE ID	1
6	46549131	SEAL,MECH 1/2"ID O-RING SEAT	1
7	50001291	RUNNER, TURBINE-B-SERIES(MACHINED)	1
8	50001131	COVER, TURBINE -B-SERIES (MACHINED)	1
9	50002550	O-RING 7.234 ID X .139	1
10	50006250	RING, INT. RETAINING MEDIUM 7.25"	1
11	50500090	FILTER CAP	1
12	50304380	SCREEN, TURBINE MANIFOLD-WRT4/5C	1
13	50500390	O-RING, 1-1/4 X 1-1/2 X 1/8"	1
14	50500100	INLET ELBOW	1
15a	50500112	CAP, FLANG NO HOLE 2.8 BCD (later s/n)	1
15b	50500110	CAP, FLANG 3/8" NPT HOLE 2.8 BCD (Earlier s/n)	1
16	50304200	TUBE ASM, DISCHARGE - WRT4C/5C	1
17	50008840	O-RING, 1-5/8 ID X .139 CS	3
18	50304350	SHAFT ASM, BYPASS - WRT4C/5C	1
19	50500400	O-RING, 2-5/8 X 2-7/8 X 1/8"	1
20	58606740	GAUGE, PRESS 0-160	1
21	50402710	SPEED CONTROL WRT4/5C	1
22	50403140	STUD 3/8"-16 THREAD, 4" LENGTH	1

Plumbing Group with Cast Turbine Manifold



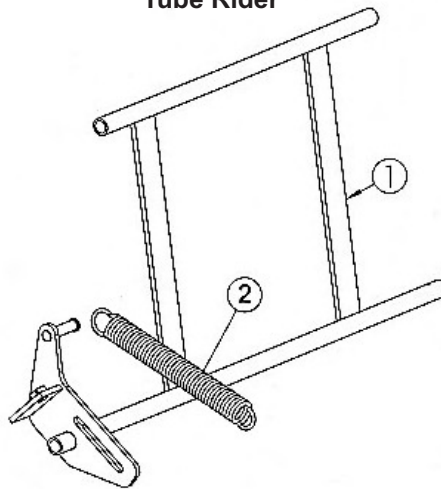
23	50400781	PULLEY, TWO STEP 1.5,2.5	1
24	50403130	KNOB, STAR 3/8-16 THREADED INSERT	1
25	56348741	KEY 1/8 X 1/8 X 1	1
26	50400980	HOLD OUT STOP WRT4/5C	1
27	50402740	TUBE, STOP TURBINE HOLD OUT	1
28	50201660	KEY, 1/8 SQ X 3/8" LONG SQ END	1
29	50105321	WASHER,1-1/2 OD 3/16 ID 14GA	1
30	50008170	O-RING, .364 ID .070 CS X -012	2
31	50500410	SHOULDER BOLT 3/8" LONG DIA, 3/8SS	1
32	58701010	CMLK,A MA2X2FNPT	1
33	50308641	NOZZLE,9/16" TURB INLET-WRT4/5C	1
34	50301880	O-RING 2-7/8 X2-1/2 X3/16	1

Levelwind Group



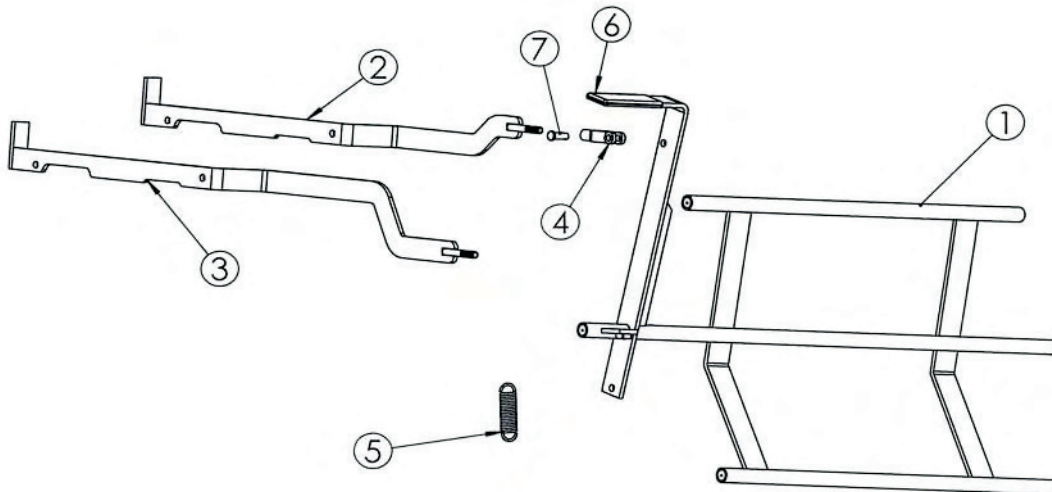
No.	Part Number	Description	Qty.
1	50303383	SCREW, LVLWND - WRB3C/T4C/T5C 5/8"	1
2a	50405150	LEVELWIND SLEEVE WRB3C-WRT4C/5C PL	1
2b	50405220	WASHER, CUPPED (not shown)	1
2c	50500700	STUD, LEVELWIND GREASING (Not Shown)	1
3a	50405265	SHAFT ASM, LEVELWIND 22T - T160C	1
3b	50405264	SHAFT ASM, LEVELWIND 20T - T180C	1
3c	50405263	SHAFT ASM, LEVELWIND 19T - T200C	1
3d	50405262	SHAFT ASM, LEVELWIND 17T - T210C	1
3e	50406100	STUD, LEVELWIND SHEAR - WRB2/3/4/5C	1
3ee	55148741	NUT,10-24 NYLOCK (Not Shown)	2
3f	87548450	CHAIN,#40 ROLLER PER FT (WRT4c T160c 142 Rollers)	ft. 5.91
3g	87548450	CHAIN,#40 ROLLER PER FT (WRT4c T180c 140 Rollers)	ft. 5.83
3h	87548450	CHAIN,#40 ROLLER PER FT (WRT4c T200c 139 Rollers)	ft. 5.79
3i	87548450	CHAIN,#40 ROLLER PER FT (WRT5c T200c 168 Rollers)	ft. 7
3j	87548450	CHAIN,#40 ROLLER PER FT (WRT5c T210c 167 Rollers)	ft. 6.96
4	50302412	BSHNG,FLANGE .625IDX1X1.5 (UHMW)	1
5	50303661	FORK ASM, LEVELWIND - WRT4/5C KR	1
6	50303350	SLEEVE,LEVELWIND KNIFE (UHMW)	1
7	50302320	KNIFE, LEVELWIND	1
8	50303680	CAP, BLACK MOCAP 1.75" X 0.5" FE	1
9	50400290	CHAIN IDLER, WRB3C/WRT4/5C	1
10	50405820	IDLER, WRT4/5C LEVELWIND CHAIN	1
11	50405830	IDLER,BOLT WRT4/5C LEVELWIND	1

Tube Rider



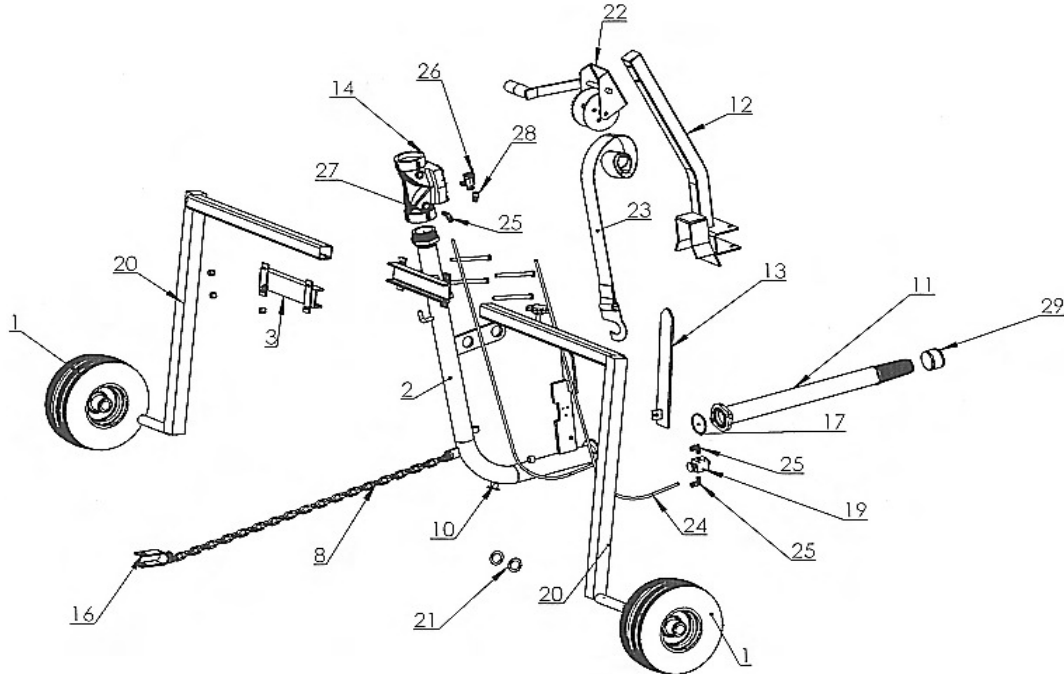
No.	Part Number	Description	Qty.
1	50303983	TUBE RIDER ASM - WRT4C/5C	1
2	50308800	SPRING, TEN 10"X1.25OD	1

Shut Off



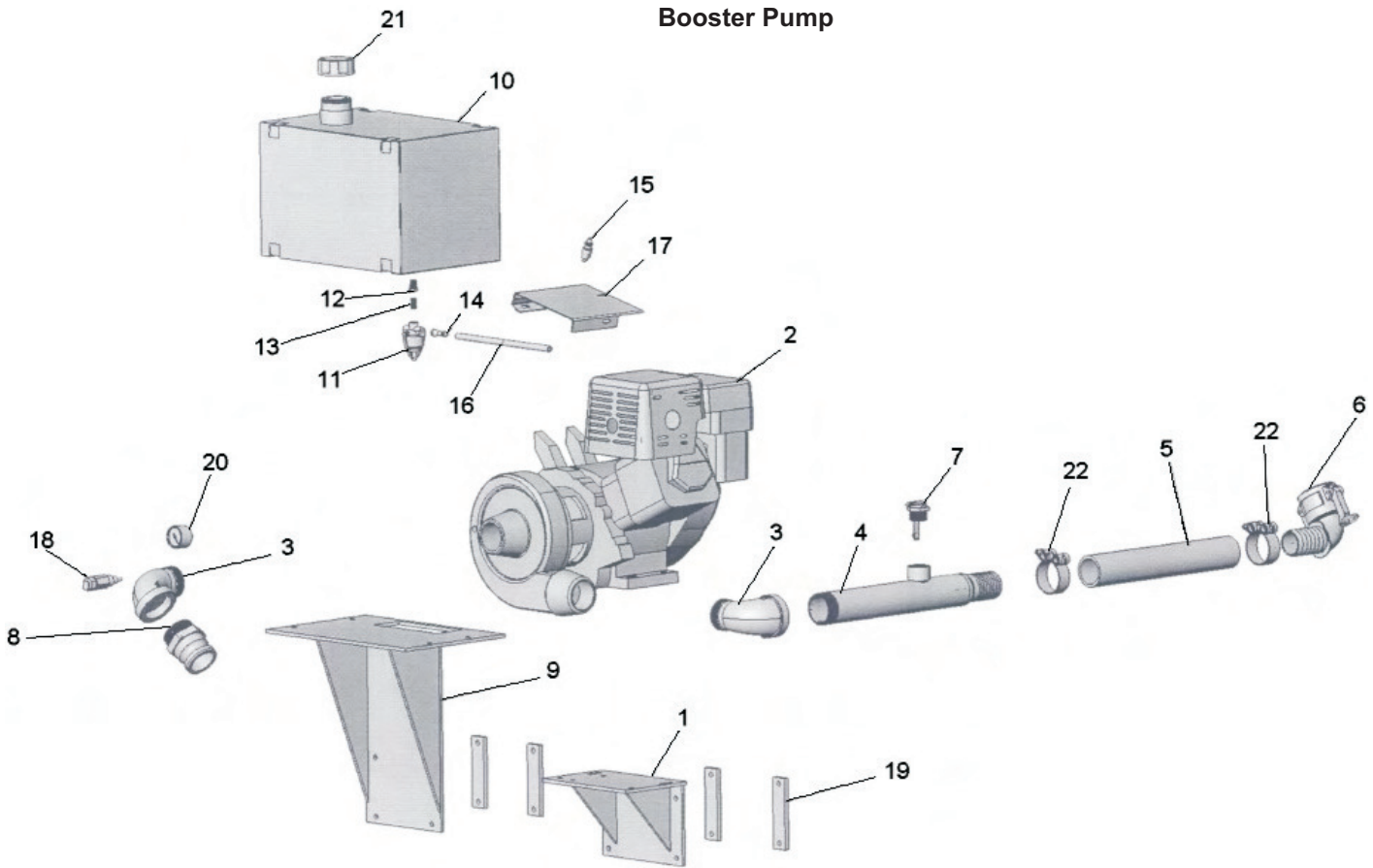
No.	Part Number	Description	Qty.
1	50402120	SHUT OFF BAR WRT4/5C	1
2	50402681	LINK ASM, SHUT OFF - WRT4C	1
3	50402680	LINK ASM, SHUT OFF - WRT5C	1
4	50401940	YOKE END, 3/8-24 THREAD	1
5	45048583	SPRING TNSN 7/8X3.62X5/8	1
6	50403160	CAP, BLACK MOCAP 1-1/2"X1/4"X4.0"	1
7	55848560	PIN,CLEVIS 3/8 X 1	1

Guncart Group



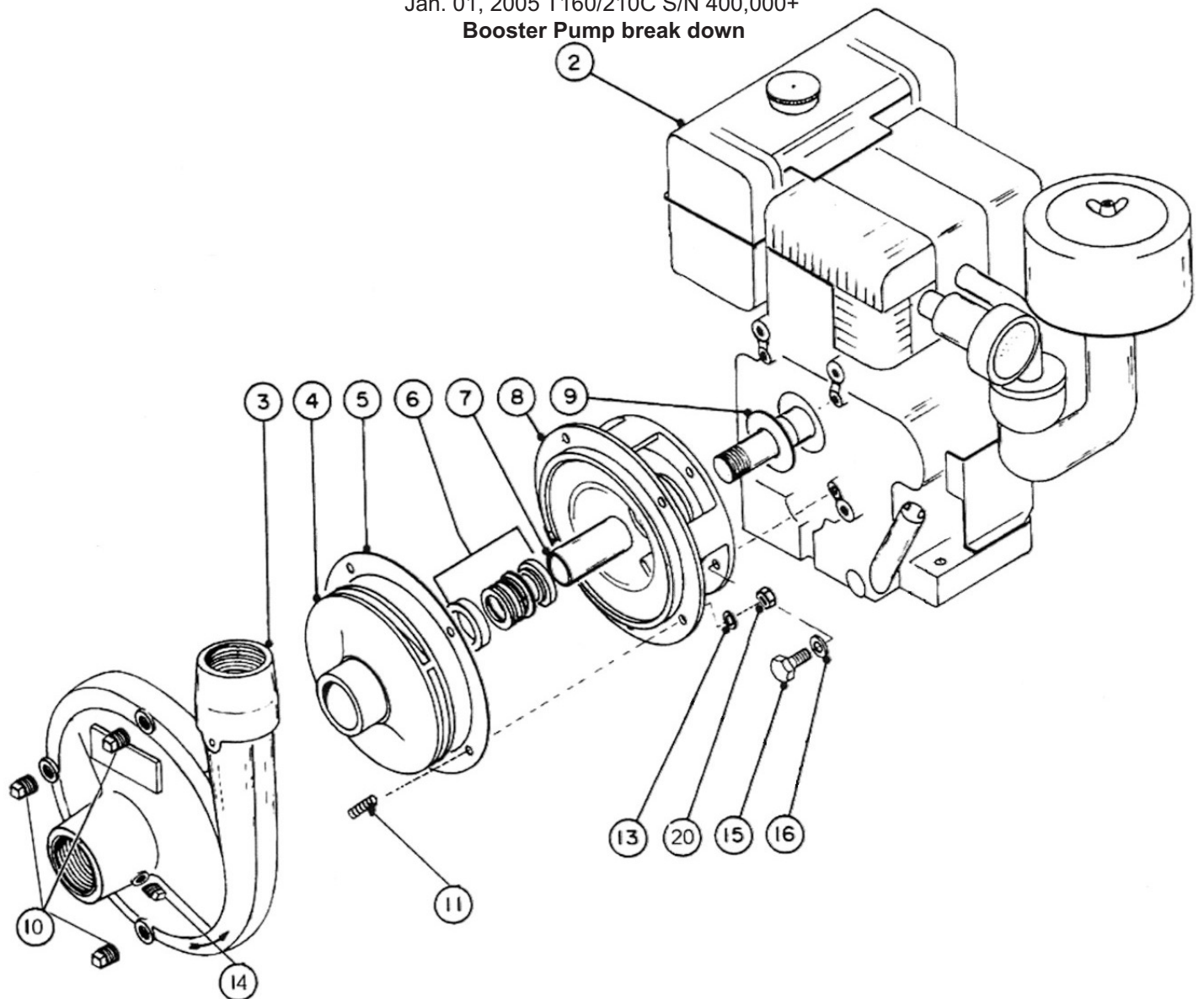
No.	Part Number	Description	Qty.
1	58608110	WHEEL&TIRE,4:1X3:5X4 1B2P	2
2	50300461	BODY ASM, HIGH CART - WRT4C/WRT5C PS	1
3	58700830	CLAMP	1
4	58700820	STRAP	0
8	85040590	CHAIN,3/16PROOF COIL PLTP	ft. 2
10	52532160	COCK,DRAIN BR 1/4	2
11a	50400420	TUBE END ASM, 160/180 - WRT4/5C	1
11b	50400421	TUBE END ASM, 200/210 - WRT4/5C	1
12	50400600	BOOM ASM, CART LIFT - WRT4C/5C	1
13	50308301	BUMPER, CART SHUT OFF - WRT4/5C IG	1
14	50406610	VALVE, DIAPHRAGM 1.5" NPT	1
16	59602330	CLEVIS,PULL CHAIN	1
17	50006790	O-RING 1.984" ID X .139 #226	1
19	42548450	VALVE,MA33 NKL-ALM SPOOL	1
20	58609994	LEG ASM, HIGH GUNCART	2
21	58505310	BUSH,MACH 1-1/2X1X14GA	4
22	40048553	WINCH,FULTON T-600	1
23	50402630	STRAP ASM, CART LIFT - WRT4C/5C	1
24	25249390	TUBE,SYNFLEX 1/4	ft. 8.3
25	52549150	FTG,TB 90 1/8MNPTX1/4TUBE	3
26	50501160	VALVE, 3 WAY 1/4"	1
27	52547842	BSHNG, RDCNG BR 1/4X1/8	1
28	52549172	FTG,TB ST 1/4MNPTX1/4TUBE	1
29a	59100612	MENDER,OUTER 1.80	1
29b	59100614	MENDER OUTER 2.0	1
29c	50007890	SLEEVE OUTER 2.1"	1

Booster Pump



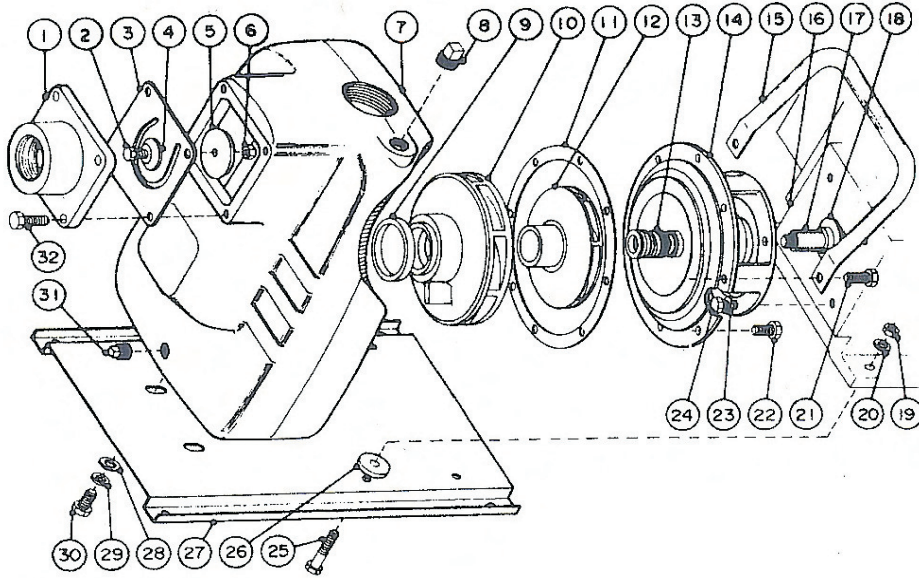
No.	Part Number	Description	Qty.
1	50900130	BOOSTER PUMP ENG MT, 5/9HP C-SERIES	1
2a	59203210	PUMP&ENGINE MNRC H 5.5HP	1
2b	59203215	PUMP&ENGINE,MNRCH 9HP HONDA	1
3	58408410	ELBW,STRT GLV 2X90DEG	2
4	50403100	FLOW CONTROL TUBE FOR WRT4/5C PL	1
5	58401330	HOSE 2 ID 150 GY PLICORD	2.5 ft
6	58608026	CL CAMLOCK 90 DEGREE 2.0	1
7	59404210	SWITCH ASM, PADDLE FLOW	1
8	58608031	CMLK,F MA2X2MNPT	1
9	50308190	BRACKET, 6 GAL TANK - WRB3C,WRT4/5C	1
10	50207100	TANK, GAS 6 GAL PLASTIC W/FITTING	1
11	27749190	FILTER,GLASS BOWL FUEL	1
12	52547842	BSHNG, RDCNG BR 1/4X1/8	1
13	52508981	NPPL,CLOSE BR 1/8	1
14	52548760	BARB,HOSE BR 1/8 NPT X 1/4	1
15	59404230	SWITCH,OVERRIDE NRML CLSD W/BRACKET	1
16	58406951	HOSE,GAS 1/4X27/64	13 in.
17	59701661	ENGINE COVER HONDA6.5&5.5	1
18	59506690	VALVE,MODIFIED 1/4" THERMO	1
19	50400390	STRAP, CLAMP BOOSTER WRB/T3,4,5	4
20	58606742	GAUGE,PRESS 0-160REAR MT	1
21	50207109	CAP, GAS	1
22	03019160	SUPRA CLAMP 59MM-63MM	2

Booster Pump break down



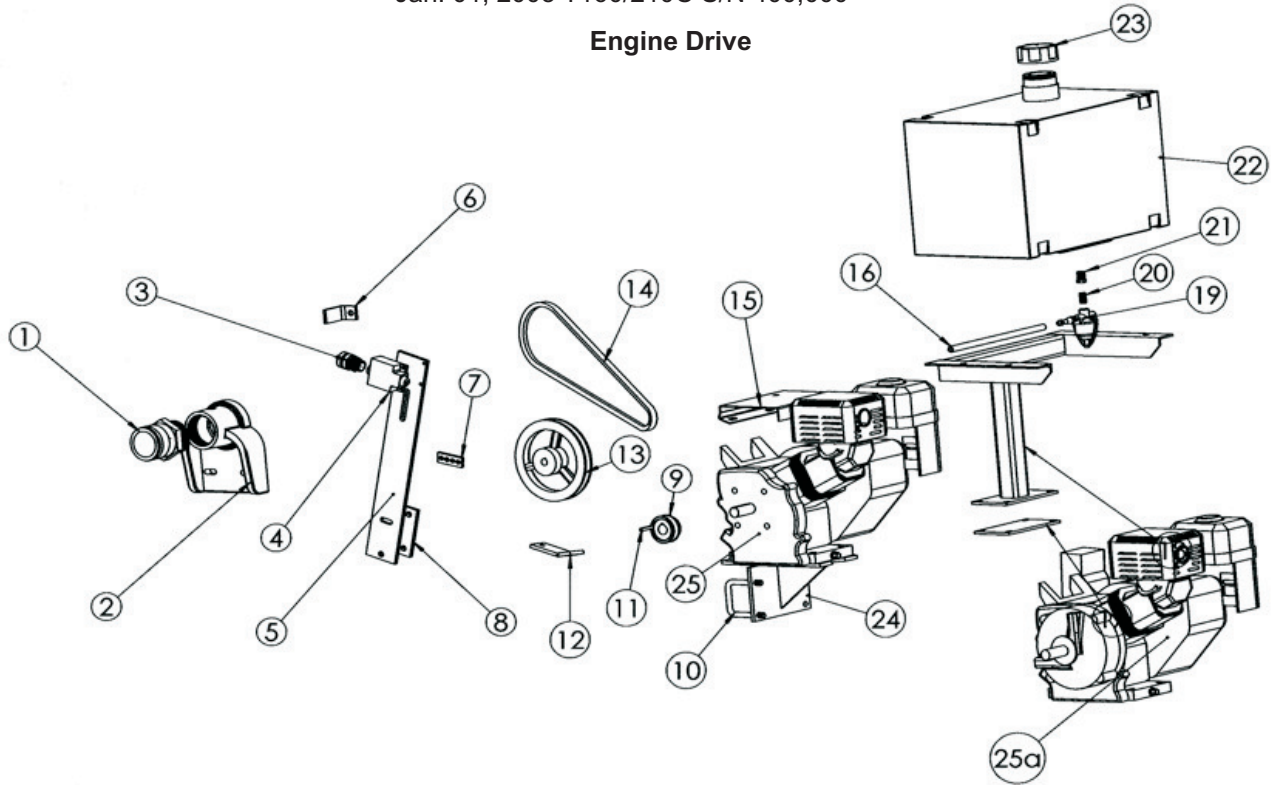
No.	Part Number	Description	Qty.
2a	59402560	ENG,HONDA 5.5 THREADED PUMP SHAFT	1
2b	58407013	ENGINE,HONDA 8HP W/PMP SHT	1
3	59402570	CASING, 1-1/2X2	1
4a	59504160	IMPELLER, 6.1X5/8 5.5HP	1
4b	59504161	IMPELLER, 6.4 X 1" 8.5HP	1
5	59402520	O-RING PARKER2-165 M PUMP	1
6a	59402530	SEAL,MECHANICAL3/4"MNRCH	1
6b	59402531	SEAL,MECHANICAL 1-1/4"	1
7a	59504170	SLEEVE,3/4X1.6" 5.5HP	1
7b	59504171	SLEEVE,1-1/4 X 2.1" 8-1/2/9HP	1
8a	59402600	ADPTR, FOR 5.5 HP	1
8b	59402601	ADPTR, FOR 8.5 HP	1
9a	59402500	FLINGER 1-1/4X3/4X1-1/16	1
9b	59402501	FLINGER, 8-1/2 AND 9 HP PUMPS	1
10		Drain plug 1/4" NPT	1
11a	59402610	STUD,3/8UNC X 1-1/2	4
11b	59402620	STUD 3/8UNC X 1-1/4	4
13		Washer, Lock 3/8"	4
14		Drain Plug, 1/8" NPT	1
15		Bolt, 5/16 UNF x 3/4	4
16	59600010	Washer, Bonded Seal Washer	4
20		Nut, 3/8" UNC	4

Self Priming Booster Pump break down



No.	Part Number	Description	Qty.
1			1
2			1
3			1
4			1
5			1
6			1
7	50305110	CASING, PUMP - MONARCH SELF PRIME	1
8			1
9			1
10			1
11	50305120	GASKET, PUMP - MONARCH SELF PRIME	1
12			1
13	59402531	SEAL,MECHANICAL 1-1/4"	1
14			1
15			1
16			1
17	59504170	SLEEVE,3/4X1.6" 5.5HP	1
18	59402500	FLINGER 1-1/4X3/4X1-1/16	1
19		Nut, 5/16"UNC Zn. Pl.	4
20		Spring Washer, 5/16" Zn. Pl.	4
21		Bolt, 3/8"UNC x 1" Zn. Pl.	2
22		Bolt, 3/8"UNC x 7/8" Zn. Pl.	6
23		Spring Washer, 5/16" Zn. Pl.	4
24		Bolt, 5/16"UNC x 3/4" Zn. Pl.	4
25		Bolt, 5/16"UNC x 2-3/4" Zn. Pl.	4
26			4
27			1
28		Plain Washer, 3/8" Zn. Pl.	2
29		Spring Washer, 3/8" Zn. Pl.	2
30		Bolt, 3/8"UNC x 7/8" Zn. Pl.	2
31			1
32		Bolt, 3/8"UNC x 1" Zn. Pl.	4

Engine Drive



No.	Part Number	Description	Qty.
1	58608031	CMLK,F MA2X2MNPT	1
2	50600950	ENTRY FITTING WRT/E4D	1
3	52662170	GROMMET,CMPRSSN 1/2 NPT	1
4	52662151	SWITCH 6 X 613	1
5	50600560	SWITCH MT. E4/5	1
6	50600570	SWITCH STOP E4/5	1
7	50601270	BELT TIGHTENER PLATE	1
8	50601500	STRAP, CLAMP SHUT OFF ARM	1
9a	59902931	PLLY, 2" X 3/4 BORE CAST WITH HUB	1
10	58700401	BOLT,U SQ 3/8X2X2-3/4	2
11	58504460	KEY 3/16 X 1-1/4	1
12	50601280	SHUT OFF BAR STOP	1
13a	50206710	PULLEY, 6.0 OD X 1/2 BORE CAST	1
13b	50603180	PULLEY, 5.0" A TAPER LOCK HUB	1
13c	50603202	HUB, TAPER LOCK 0.5" (for 5" pulley)	1
13d	50601130	PLLY,V3L 3-3/4 ODX 1/2 BORE	1
14	50603430	BELT, AX 56 (check belt size before ordering this belt is for the 6.0" pulley)	1
14a	50004430	BELT AX 51 (check belt size before ordering this belt is for the 5.0" pulley)	
15	59701663	ENGINE COVER HONDA 4.0	1
16	58406951	HOSE,GAS 1/4X27/64	ft. 4
17	50600860	PLATE, TANK MT E4/5	1
18	50600910	TANK,GAS MT. E4/5	1
19	50600860	PLATE, TANK MT E4/5	1
20	52508981	NPPL,CLOSE BR 1/8 SCHD. 40	1
21	52547842	BSHNG, RDCNG BR 1/4X1/8	1
22	50207100	TANK, GAS 6 GAL PLASTIC W/FITTING	1
23	50207109	CAP, GAS TANK	1
24	50600230	ENGINE MT. E4/5	1
25	58407017	ENGINE,HONDA 4HP KEYED SH	1
25a	50601670	ENGINE,HONDA 4HP KEYED SH 6-1 RED	1