



Water-Reel® Irrigation

700 S. Schrader Ave.
P.O. Box 290
Havana, IL 62644
USA
Phone: 309.543.4425
Fax: 309.543.4945

PARTS MANUAL

B-130/B140/B160/B180/B200

S/N 370,000+

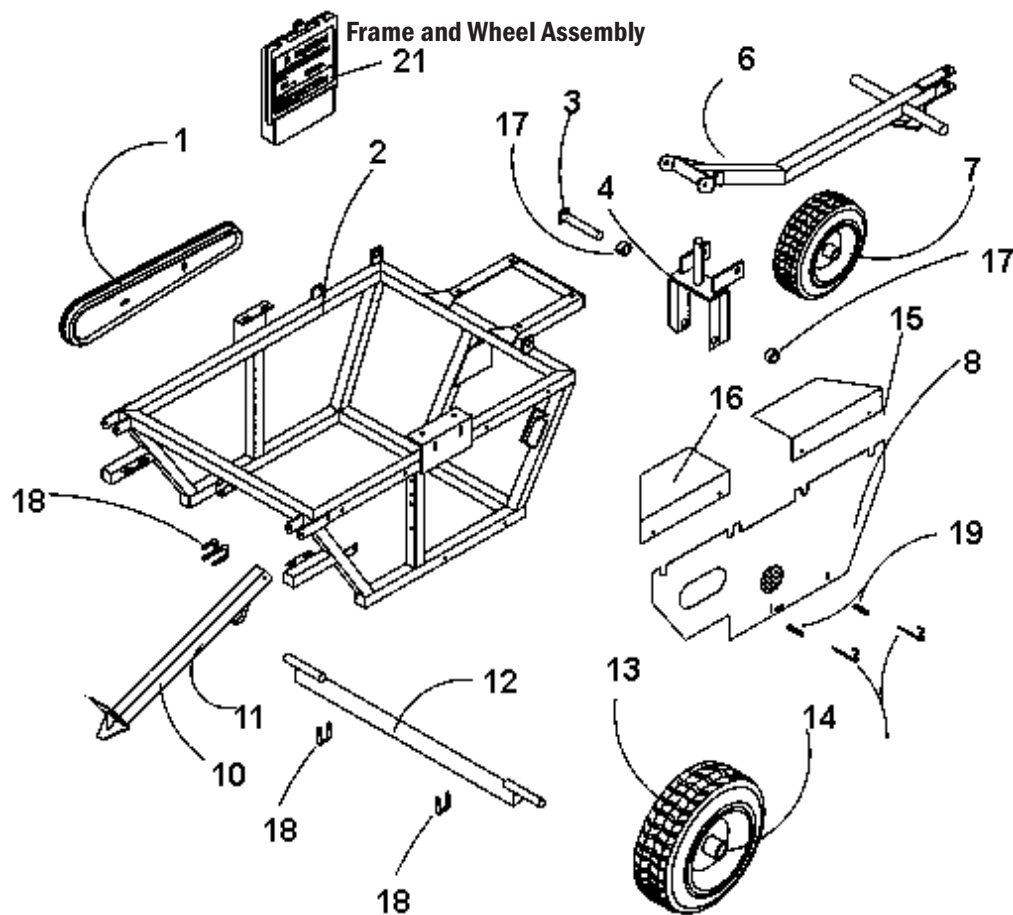
updated page 16 8/25/04 Rc

Assembly	Page
Frame and Wheel Assembly	2-3
Water Motor and Plumbing B 130/140	4-6
Water Motor and Plumbing B 160/180	7-9
Water Motor and Plumbing B 180/200 S/N 370,000 - 370,0718	10-13
Water Motor and Plumbing B 180/200 S/N 370,719+	14-16
Spool and Drive Assembly	17-20
Levelwind Assembly	21-22
Sprinkler Cart Assembly B130/B140	23
Sprinkler Cart Assembly B130/140 High Cart	24-25
Sprinkler High Cart Assembly B160/180 High Cart	26
Sprinkler High Cart Assembly B180/200	27
Decal Group	28
Booster Pump	29-30
Motor and Pump Assembly	31

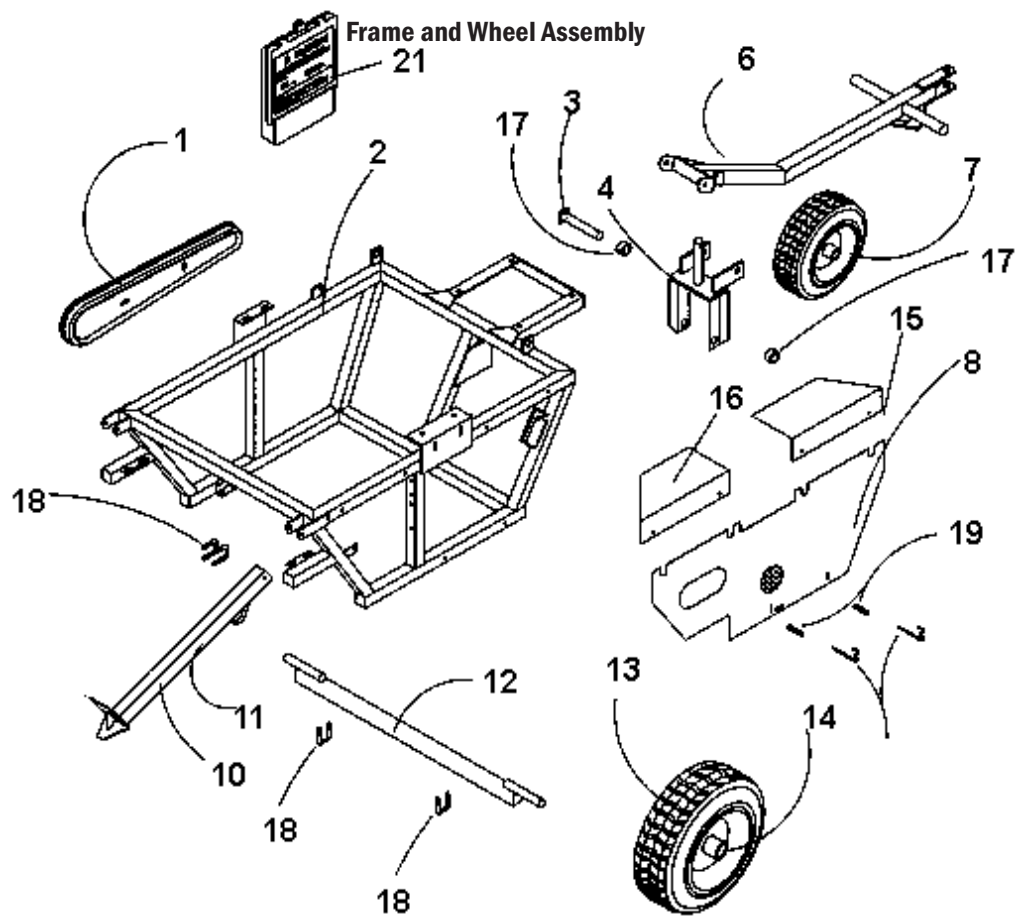
Notes:

For Parts That Are Described As "Left" Or "Right" The Water Inlet Side Of The Machine Is Considered The Right Side.

Items Such As Common Fasteners, Grease Fitting, And Other Small Parts Easy To Acquire Locally Are Not Listed.

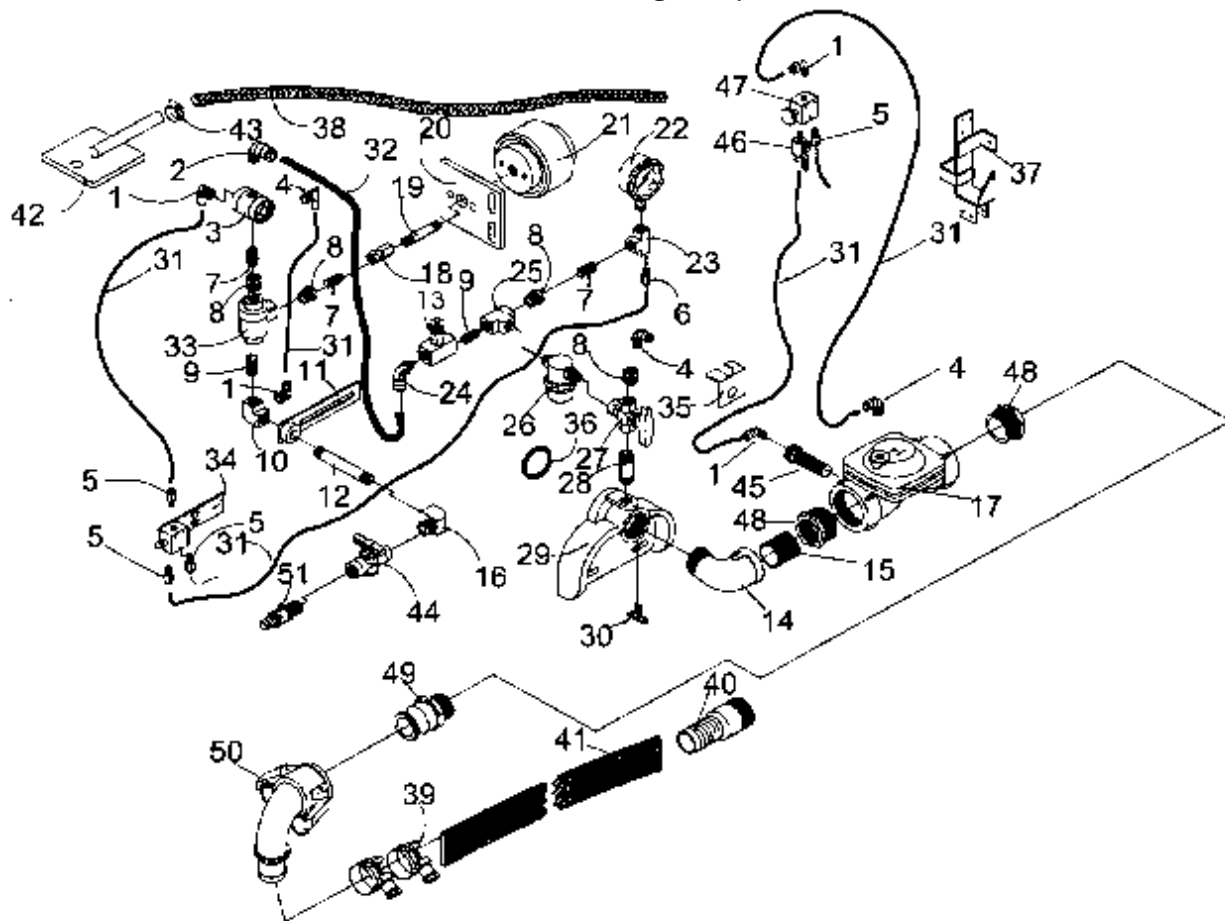


Frame and Wheel Assembly			
No.	Part Number	Description	Qty.
1a	586-0753-0	Guard, Levelwind Chain B 130/140	1
1b	586-0753-1	Guard, Levelwind Chain B 160/180	1
1c	592-0010-0	Guard, Levelwind Chain B 180/200	1
2a	500-0649-0	Main Frame 140 Bellows	1
2b	586-0921-1	Main Frame 160/180 Bellows	1
2c	599-0023-0	Main Frame 180/200 Bellows	1
2d	599-0020-0	Tongue, (not shown) 180/200	1
3	586-0899-1	Axle, Front 130/140/160/180	1
4	586-0766-1	Fork, Front Wheel 130/140/160/180	1
6a	594-0529-0	Tongue 130/140	1
6b	594-0529-2	Tongue 160/180	1
7	586-0229-0	Wheel & Tire, 4:8 x 4 x 8 with 1" Bore	1
8a	586-0799-6	Guard, Lower Side	1
8b	586-0799-5	Side Shield B 160/180	1
8c	592-0050-0	Guard, Water Motor (not as shown) B 180/200	1
9	595-0145-0	Roller, Idler (Not Shown) B130/140	1
10a	586-0817-0	Leg, Left Stabilizer B 130/140	1
10b	586-0817-4	Leg, Left Stabilizer B160/180	1
10c	592-0008-1	Leg, Left Stabilizer B180/200	1
11a	586-0816-0	Leg, Right Stabilizer B 130/140	1
11b	586-0816-4	Leg, Right Stabilizer B160/180	1
11c	592-0008-0	Leg, Right Stabilizer B180/200	1



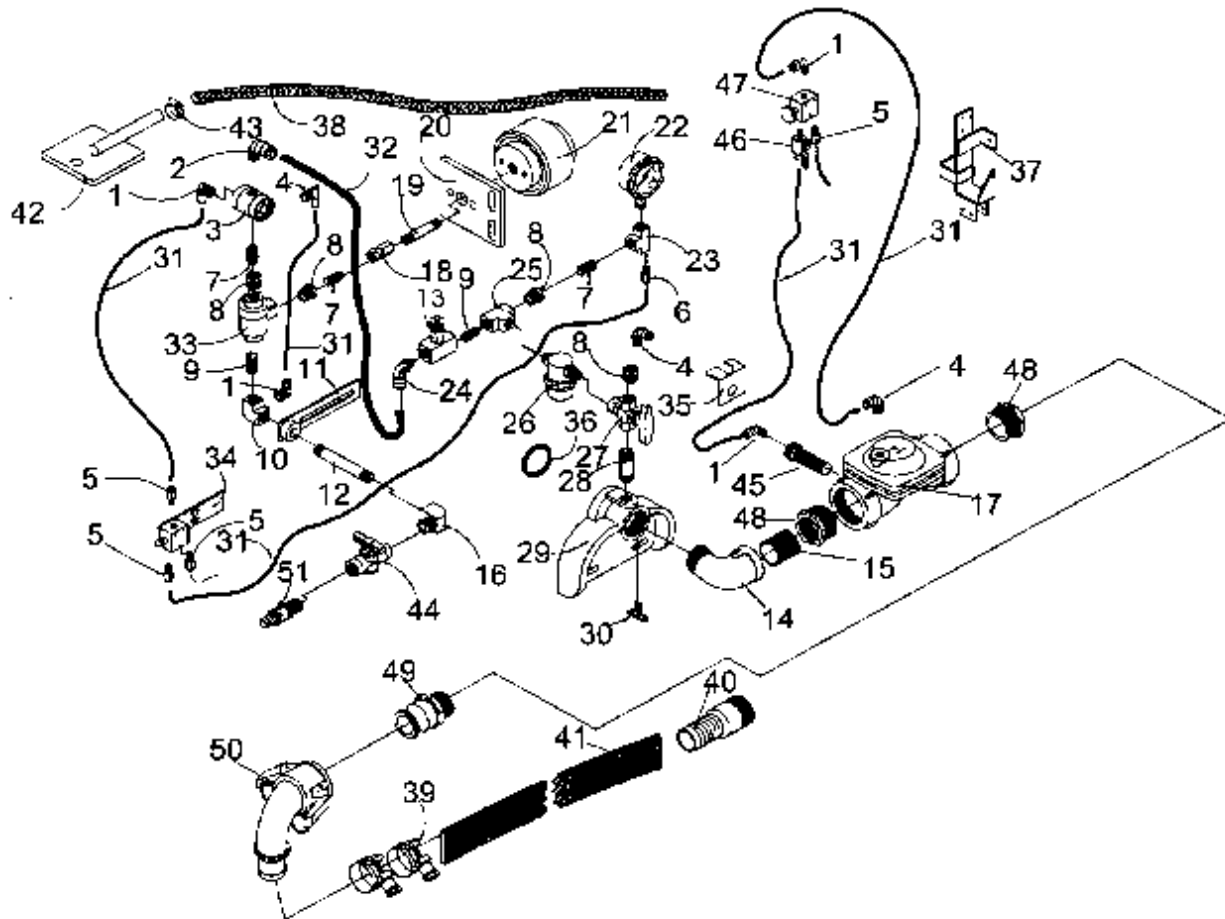
12a	586-0900-0	Axle, Rear B 130/140	1
12b	586-0900-1	Axle, Rear B 160/180	1
12c	592-0089-0	Axle, B 180/200	1
13a	586-0229-2	Wheel & Tire, 16 x 6:50 x 8 with 1" Bore B 130/140	2
13b	586-0229-1	Wheel & Tire, 5:7 x 8b x 1.25 4 B 160/180	2
13c	586-0229-3	Wheel & Tire, 4:80 x 12 4 Bolt b 180/200	2
14	512-4847-0	Bushing, .40 x .56 x .32" Long	4
15a	588-0016-3	Guard, Upper Rear B 130/140	1
15b	588-0016-5	Guard, Upper Rear B 160/180	1
16a	588-0019-1	Guard, Upper Front B 130/140	1
16b	588-0019-2	Guard, Upper Front B 160/180	1
17a	586-0844-1	Spacer B 130/140	2
17b	586-0844-1	Spacer B 160/180	2
18a	587-0040-0	Bolt, U 3/8" x 1-1/2" x 1-1/2" x 2-1/4" Long	4
18b	587-0040-1	U-Bolt, 3/8 x 2 x 2-3/4 Long B 160/180	4
18c	587-0040-2	U-Bolt, 2-1/2 x 3/8 B 180/200	4
19	450-4858-2	Spring B 130/140/160/180	2
20	590-0250-0	Hook, J B 130/140/160/180	2
21	502-0022-0	Operator Manual Holder	1
22	591-0021-0	Nut, Guard (Not Shown) B 130/140/160/180	1
23	500-0678-0	Spring Tension 3.62 x .85" OD (Not Shown) B 130/140	1
24	595-0019-0	Bracket Guard (Not Shown) B 130/140	1

Water Motor and Plumbing B 130/140



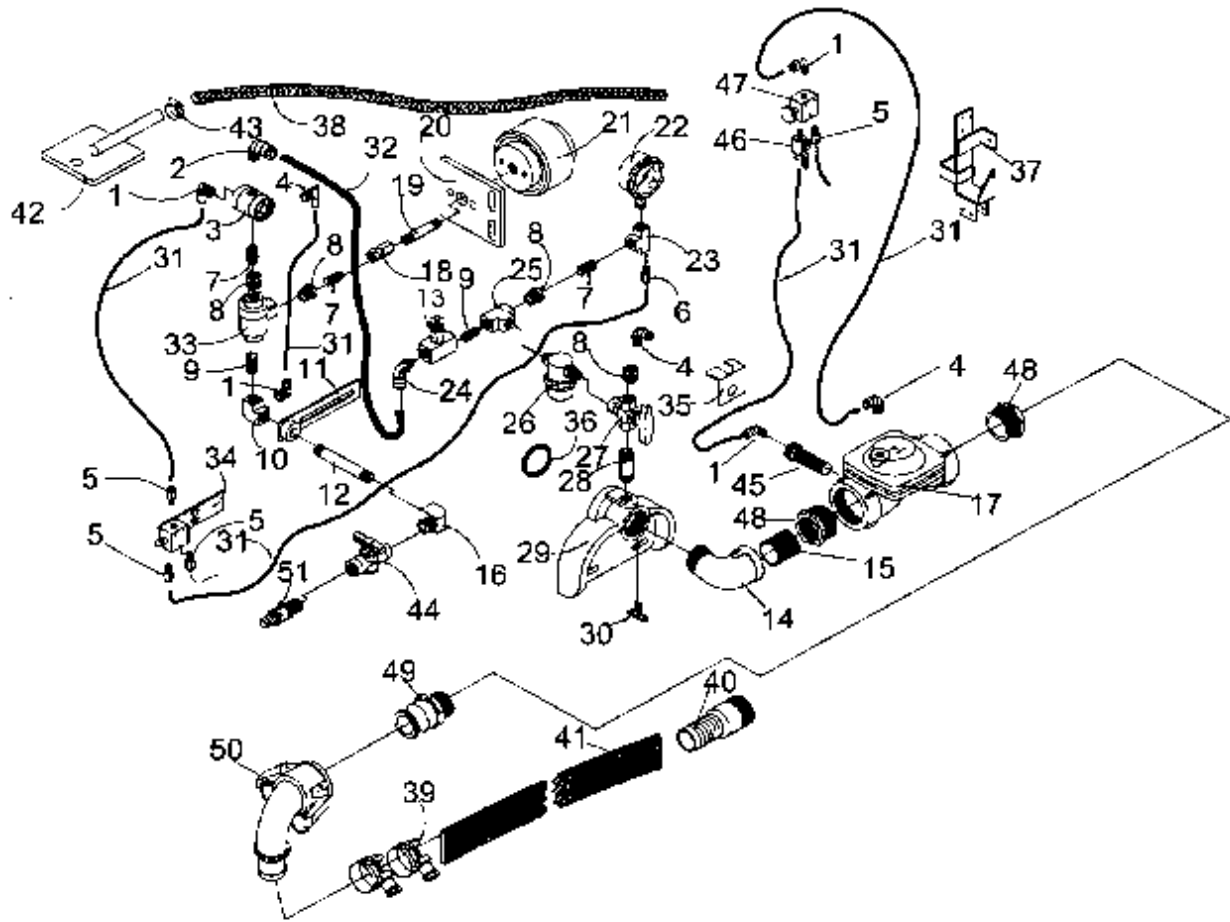
Water Motor and Plumbing B 130/140				
No.	Part Number	Description		Qty.
1	525-4915-0	FTG, TB 90 1/8MNPT x 1/4 Tube		2
2	525-4917-5	FTG, TB 90 1/4MNPT x 1/2" Tube		1
3	586-0978-6	Valve, Humphrey 250 N.O.		1
4	525-4915-1	FTG, TB 90 1/4MNPT x 1/4 Tube		2
5	525-4917-0	FTG, TB ST 1/8MNPT x 1/4 Tube		3
6	525-4917-2	FTG, TB ST 1/4MNPT x 1/4 Tube		1
7	525-3214-1	Nipple, 1/4 x Close Brass Pipe		3
8	525-0616-1	Bushing, 3/8 x 1/4 Brass Red.		4
9	525-0619-1	Nipple, 3/8" x 1-1/2"		1
10	586-0870-1	Elbow, 3/8 x 90 Deg. Brass (Drilled & Tap)		1
11	586-0868-4	Pipe Bracket		1
12	525-1395-5	Nipple, 3/8 x 4 Brass		1
13	586-0978-5	Valve, 3/8" Needle		1
14	526-5274-0	Elbow, Strt Glv 1-1/2"X90		1
15	525-0839-0	Nppl. Close Galv. 1-1/2" Schd.40		1
16	525-4901-1	Elbow, Street 3/8" Brass		1
17	503-0010-0	Valve, Diaphragm 2.0" NPT		1
18	586-0988-0	Adptr Union 4F x 4F 1/4"		1
19	525-1397-2	Nipple, 1/4 x 2.5 Brass		1
20	586-0784-4	Plate, Bellows		1
21	586-0794-2	Bellows		1

Water Motor and Plumbing B 130/140



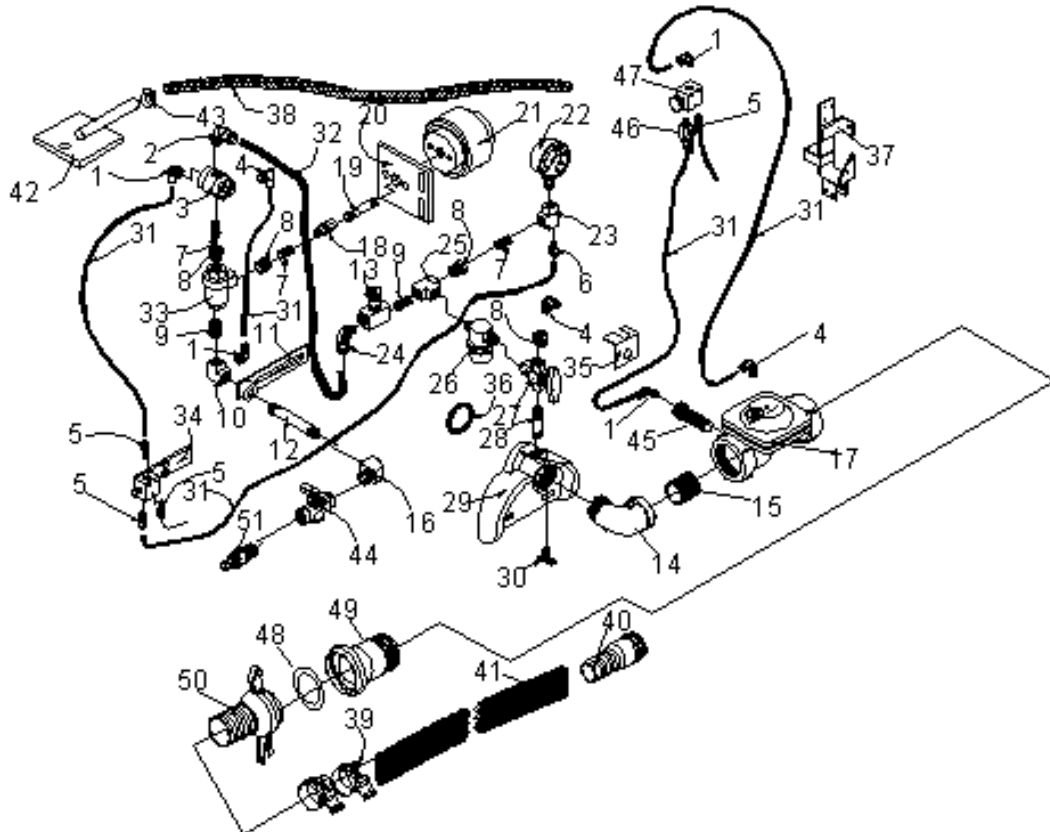
22	586-0675-0	Gauge, 0-300 Water Pressure		1
23	525-0263-2	Tee, 1/4 Brass Pipe		1
24	525-4917-4	FTG, TB 90 3/8MNPT x 1/2" Tube		1
25	525-0263-1	Tee, 3/8 Brass Pipe		1
26	586-0989-3	Filter, Vik Lo Pr 3/8 NPT 40 Mesh		1
27	586-0757-1	Valve, 3 Way x 3/8 Brass		1
28	525-0264-1	Nipple, 3/8 x 3		1
29	500-0565-0	Fitting, Water Entry		1
30	525-3225-0	Valve, 1/8 Drain		1
31	252-4939-0	Tube, 1/4 Nylon Control	Ft.	4
32	252-4939-3	Tube, 1/2" OD Nylon Control	Ft.	1
33	589-0068-0	Valve, Cam 3/8 Quick Exhaust		1
34a	586-0869-1	Plate		1
34b	594-0153-0	Valve, w/Spool, Stud & Nuts (Contains Items Noted*)		1
34c	425-4845-3	Body, Valve MA-33		1
34d	425-4845-7	Spool, Valve Chr. Pltd. 1.687		1
35	590-0278-0	Plate, Valve Indicator		1
36	586-0991-0	O-Ring 1-7/8 x 1-1/2 x 3/16"		1
37a	500-0564-0	Switch Mt. 140/130		1
37b	450-4845-0	SPRING TNSN.67IDX3-1/8PLT (Not shown)		1
38	587-0051-0	Hose, Perforated Discharge		1
39	030-1912-7	Surpa Clamp 43mm-47mm		4
40	586-0806-0	Nipple, 1-1/2" Plated King		1

Water Motor and Plumbing B 130/140



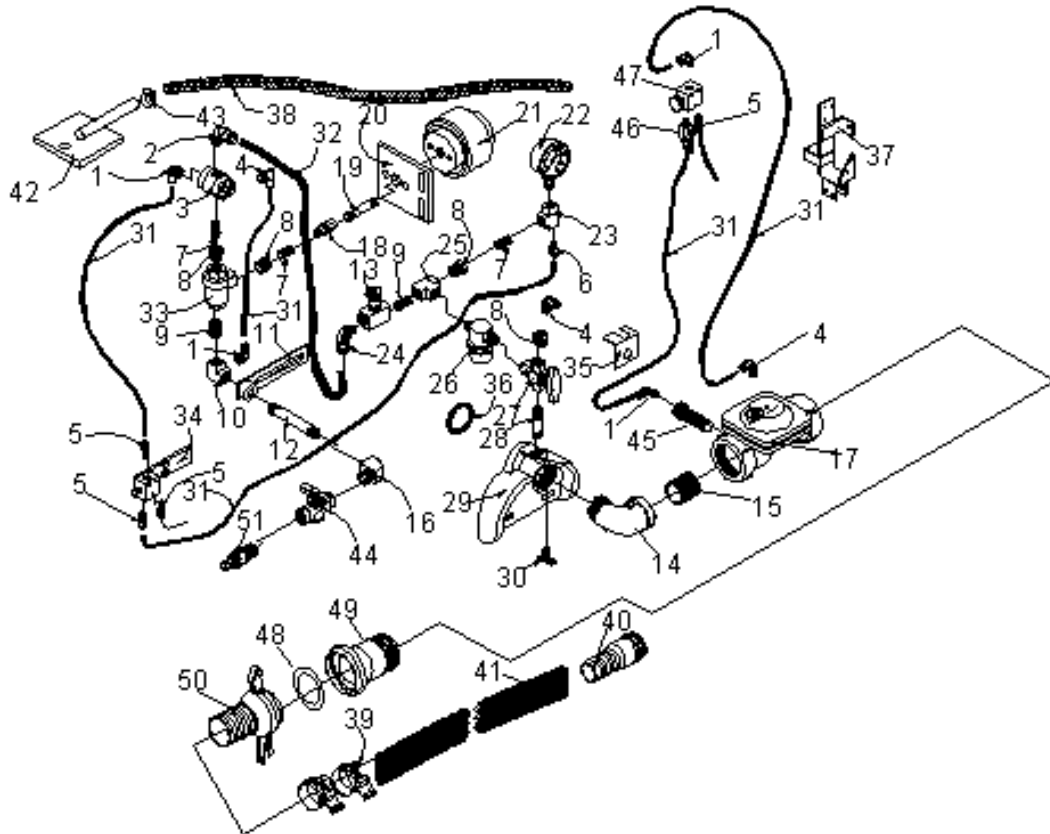
41	586-0801-0	Hose, Irr Supply 1-1/2"	Ft.	15
42	586-0922-0	Anchor, Discharge Hose		1
43	030-1652-4	Clamp,Screw 1/2-3/4 12-20		2
44	500-0002-1	Valve, 3/8 Hi-Lo Range 9/64		1
45	591-0142-0	Filter,1/8 To 1/4 Bushing		1
46	596-0372-0	Valve, 1/4" Turn 1/8FNPT		1
47	425-4845-0	Valve,MA33 NKL-ALM Spool		1
48	585-0405-0	Bushing, Reducing Glv. 2X1-1/2		1
49	586-0803-0	Camlock, F MA1-1/2X1-1/2MNPT		1
50	586-0802-4	CL Camlock 90Degree 1-1/2		1
51	594-0509-0	Barb .5" x 3/8" MNPT		1

Water Motor and Plumbing B160/180



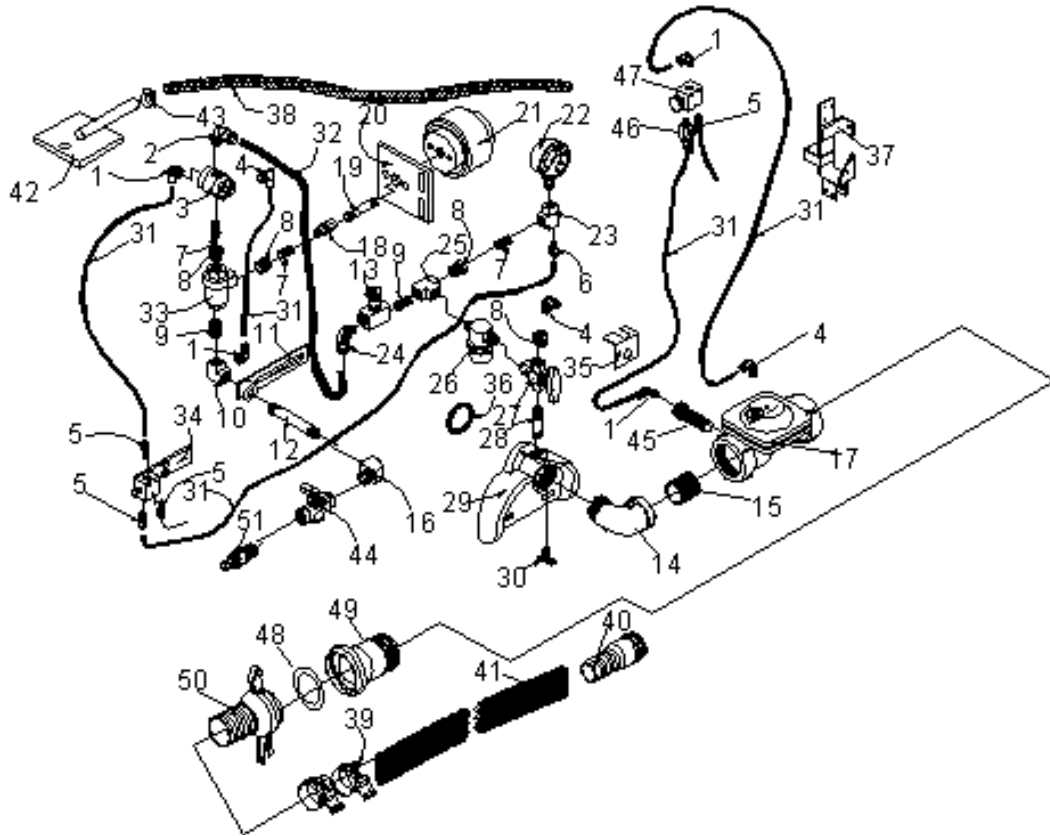
Water Motor and Plumbing B 160/180				
No.	Part Number	Description		Qty.
1	525-4915-0	FTG, TB 90 1/8MNPT x 1/4 Tube		2
2	525-4917-5	FTG, TB 90 1/4MNPT x 1/2" Tube		1
3	586-0978-6	Valve, Humphrey 250 N.O.		1
4	525-4915-1	FTG, TB 90 1/4MNPT x 1/4 Tube		2
5	525-4917-0	FTG, TB ST 1/8MNPT x 1/4 Tube		3
6	525-4917-2	FTG, TB ST 1/4MNPT x 1/4 Tube		1
7	525-3214-1	Nipple, 1/4 x Close Brass Pipe		3
8	525-0616-1	Bushing, 3/8 x 1/4 Brass Red.		4
9	525-0619-1	Nipple, 3/8" x 1-1/2"		1
10	586-0870-1	Elbow, 3/8 x 90 Deg. Brass (Drilled & Tap)		1
11	586-0868-4	Pipe Bracket		1
12	525-1395-5	Nipple, 3/8 x 4 Brass		1
13	586-0978-5	Valve, 3/8" Needle		1
14	501-0172-0	Elbow, Strt Glv 2"X90		1
15	500-0357-0	Nppl. Close Galv. 2" Schd.40		1
16	525-4901-1	Elbow, Street 3/8" Brass		1
17	503-0010-0	Valve, Diaphragm 2.0" NPT		1
18	586-0988-0	Adptr Union 4F x 4F 1/4"		1
19	525-1397-2	Nipple, 1/4 x 2.5 Brass		1
20	586-0784-3	Plate, Bellows		1
21	586-0794-2	Bellows		1

Water Motor and Plumbing B160/180

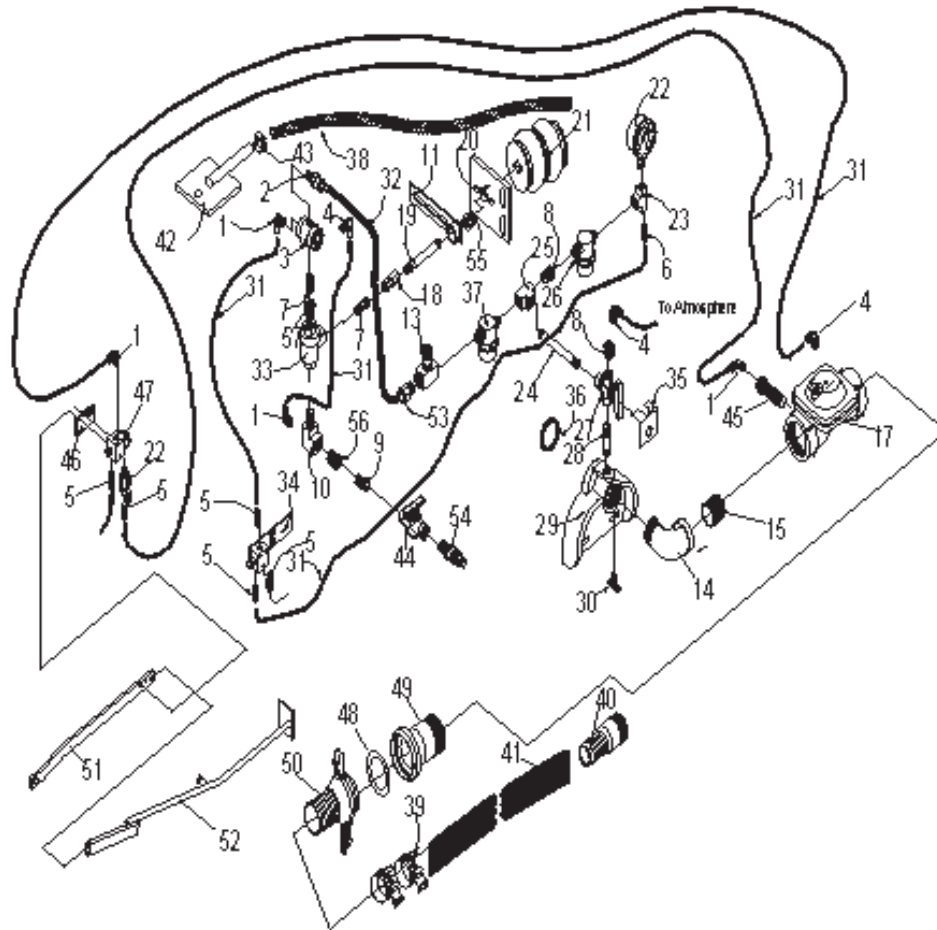


22	586-0675-0	Gauge, 0-300 Water Pressure		1
23	525-0263-2	Tee, 1/4 Brass Pipe		1
24	525-4917-4	FTG, TB 90 3/8MNPT x 1/2" Tube		1
25	525-0263-1	Tee, 3/8 Brass Pipe		1
26	586-0989-3	Filter, Vik Lo Pr 3/8 NPT 40 Mesh		1
27	586-0757-1	Valve, 3 Way x 3/8 Brass		1
28	525-0264-1	Nipple, 3/8 x 3		1
29	502-0038-0	Fitting, Water Entry		1
30	525-3225-0	Valve, 1/8 Drain		1
31	252-4939-0	Tube, 1/4 Nylon Control	Ft.	4
32	252-4939-3	Tube, 1/2" OD Nylon Control	Ft.	1
33	589-0068-0	Valve, Cam 3/8 Quick Exhaust		1
34a	586-0869-1	Plate		1
34b	594-0153-0	Valve, w/Spool, Stud & Nuts (Contains Items Noted *)		1
34c	425-4845-3	Body, Valve MA-33		1
34d	425-4845-7	Spool, Valve Chr. Pltd. 1.687		1
35	590-0278-0	Plate, Valve Indicator		1
36	586-0991-2	O-Ring 2-3/8 X 2 X 3/16		1
37a	502-0046-0	Bracket, Switch - WRB4		1
37b	450-4845-0	SPRING TNSN.67IDX3-1/8PLT (Not shown)		1
38	587-0051-0	Hose, Perforated Discharge		1
39	030-1915-1	Surpa Clamp 55mm-59mm		4

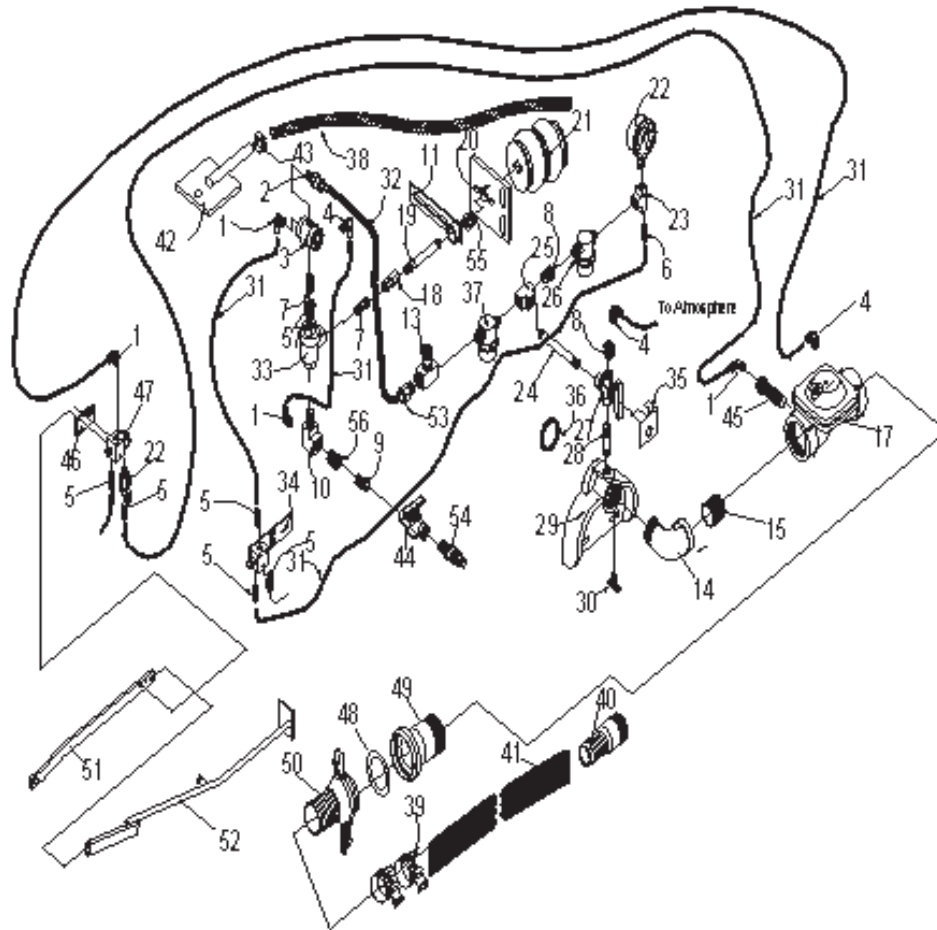
Water Motor and Plumbing B160/180



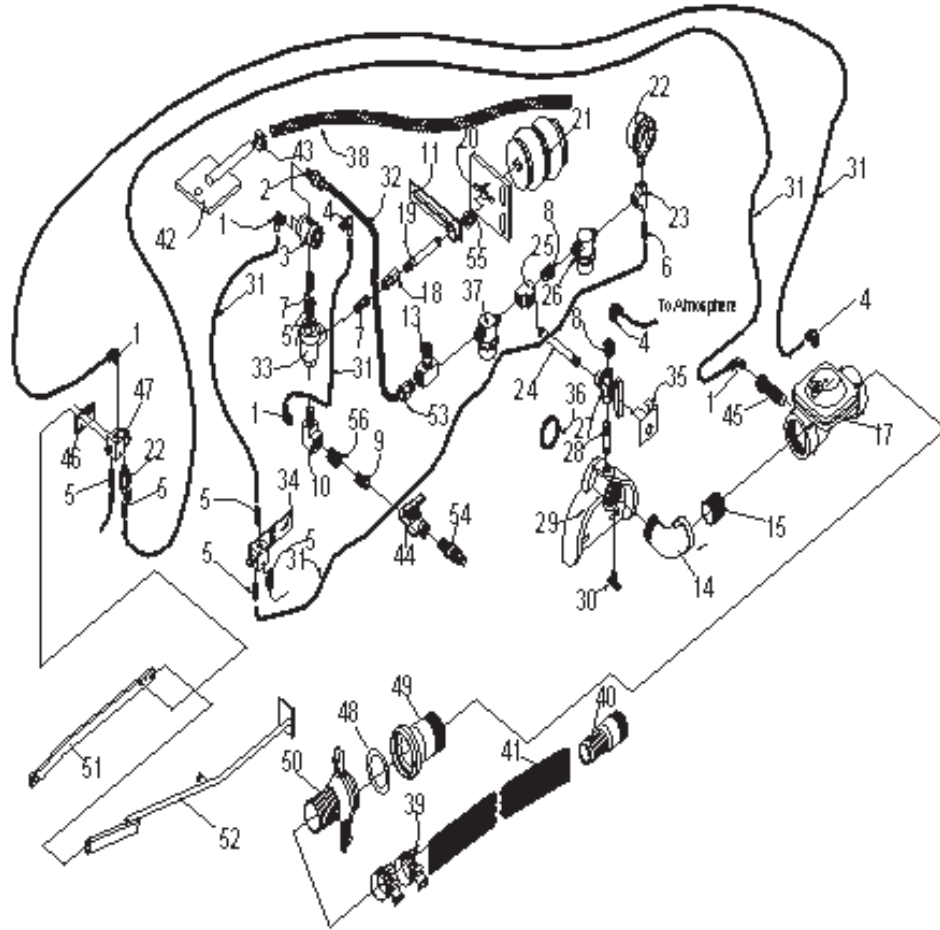
40	586-0806-1	Nipple, 2" Plated King		1
41	586-0801-1	Hose, Irr Supply 2"	Ft.	15
42	586-0922-0	Anchor, Discharge Hose		1
43	030-1652-4	Clamp, Screw 1/2-3/4 12-20		2
44	500-0002-1	Valve, 3/8 Hi-Lo Range 9/64		1
45	591-0142-0	Filter, 1/8 To 1/4 Bushing		1
46	596-0372-0	Valve, 1/4" Turn 1/8FNPT (Not Shown)		1
47	425-4845-0	Valve, MA33 NKL-ALM Spool		1
48	588-0021-3	Seal Ring 2" 3-5/32 OD x .34		1
49	599-0136-0	Fitting, 2" Socket 2" NPT		1
50a	599-0135-0	Fitting, 2" Ball 2" Barb		1
50b	588-0021-1	Lever Ring 2" 451 50mm		1
51	594-0509-0	Barb .5" x 3/8" MNPT		1



No.	Part Number	Description	Qty.
1	525-4915-0	Fitting, TB 90 1/8MNPT x 1/4 Tube	4
2	525-4917-7	Fitting, TB ST 1/4MNPTX1/2Tube	1
3	586-0978-6	Valve, Humphrey 250 N.O.	1
4	525-4915-1	Fitting, TB 90 1/4MNPT x 1/4 Tube	2
5	525-4917-0	Fitting, TB ST 1/8MNPT x 1/4 Tube	4
6	525-4917-2	Fitting, TB ST 1/4MNPT x 1/4 Tube	1
7	596-0011-0	Nipple, Brass 1/2 x 2"	2
8	525-0616-1	Bushing, 3/8 x 1/4 Brass Red.	3
9	525-1393-1	Nipple, Brass 3/8" x Close	1
10	599-0175-0	Elbow, St. Brass 1/2" x 90 Deg. (Drilled & Tapped)	1
11	592-0085-0	Pipe Bracket	1
12	596-0012-0	Nipple, Brass 1/2 x	1
13	586-0978-5	Valve, 3/8" Needle	1
14	584-0841-0	Elbow, Strt Glv 2"X90	1
15	500-0357-0	Nppl. Close Galv. 2" Schd.40	1
17	503-0010-0	Valve, Diaphragm 2.0" NPT	1
18	586-0988-5	Adapter Union 1/2" 8F x UFS	1
19	596-0012-0	NPPL,BR 1/2 X 5	1
20	592-0079-0	Plate, Bellows	1
21	586-0794-4	Bellows	1
22	586-0675-0	Gauge Press 0-300	1
23	525-0263-2	Tee Brass 1/4"	1

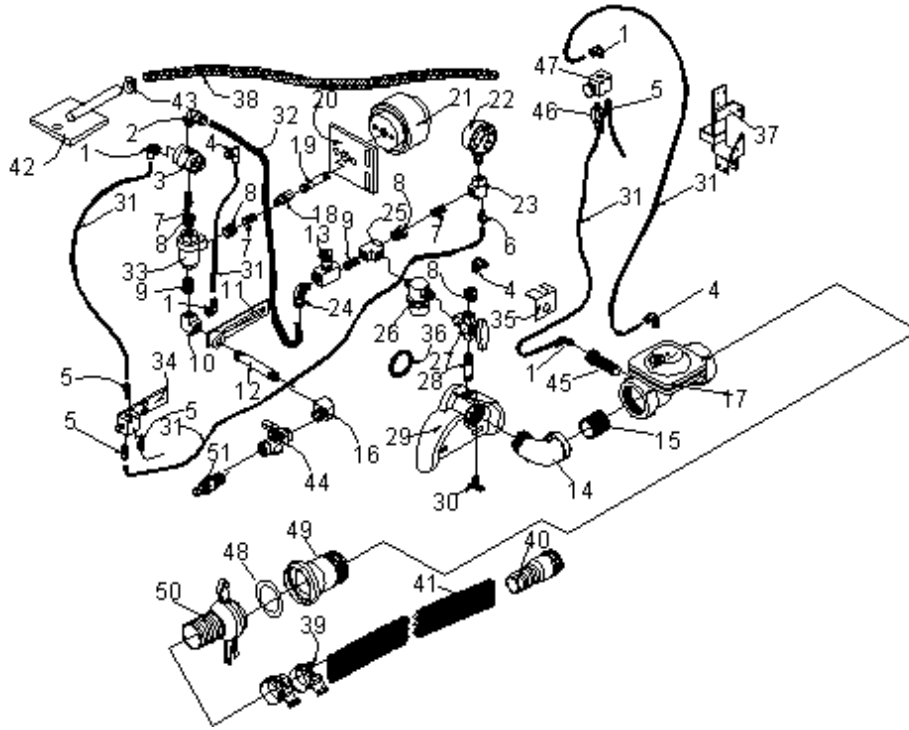


24	525-1395-4	Nipple, Brass 3/8 x 5		1
25	525-0263-1	Tee, Brass 3/8"		1
26	586-0989-4	Filter, (Ron-Vik Lo Pro 1/4")		1
27	586-0757-1	Valve, On-Off (3 Way Brass Ball 3/8 x 90 Deg)		1
28	525-0264-1	Nipple, Brass 3/8 x 3		1
29	586-0839-8	Fitting, Entry B-50		1
30	525-3225-0	Cock, Drain		1
31	252-4939-0	Tube, Synflex 1/4"	Ft.	8.5
32	252-4939-3	Tube, Synflex 1/2"	Ft.	1.23
33	589-0068-1	Valve, Quick Exhaust		1
34a	594-0153-0	Valve, Pilot w/spool, stud, and nuts		1
34b	592-0055-0	Plate, Valve Mt.		1
35a	590-0278-0	Plate, Valve Indicator		1
35b	590-0279-0	Decal, Valve On/Off (not shown)		1
36	586-0991-7	O-Ring, 2-5/8 x 2-1/4 x 3/16		1
37	586-0989-3	Filter, (Ron-Vik Lo Pro 3/8")		1
38	595-0266-0	Hose, Corrugated 3/4"		1
39	030-1915-1	Clamp, Hose 55-59		4
40	586-0806-1	Nipple, Plated 2" King		1
41	586-0801-1	Hose,IRR Supply Remnant 2" (Per Ft)	Ft.	15



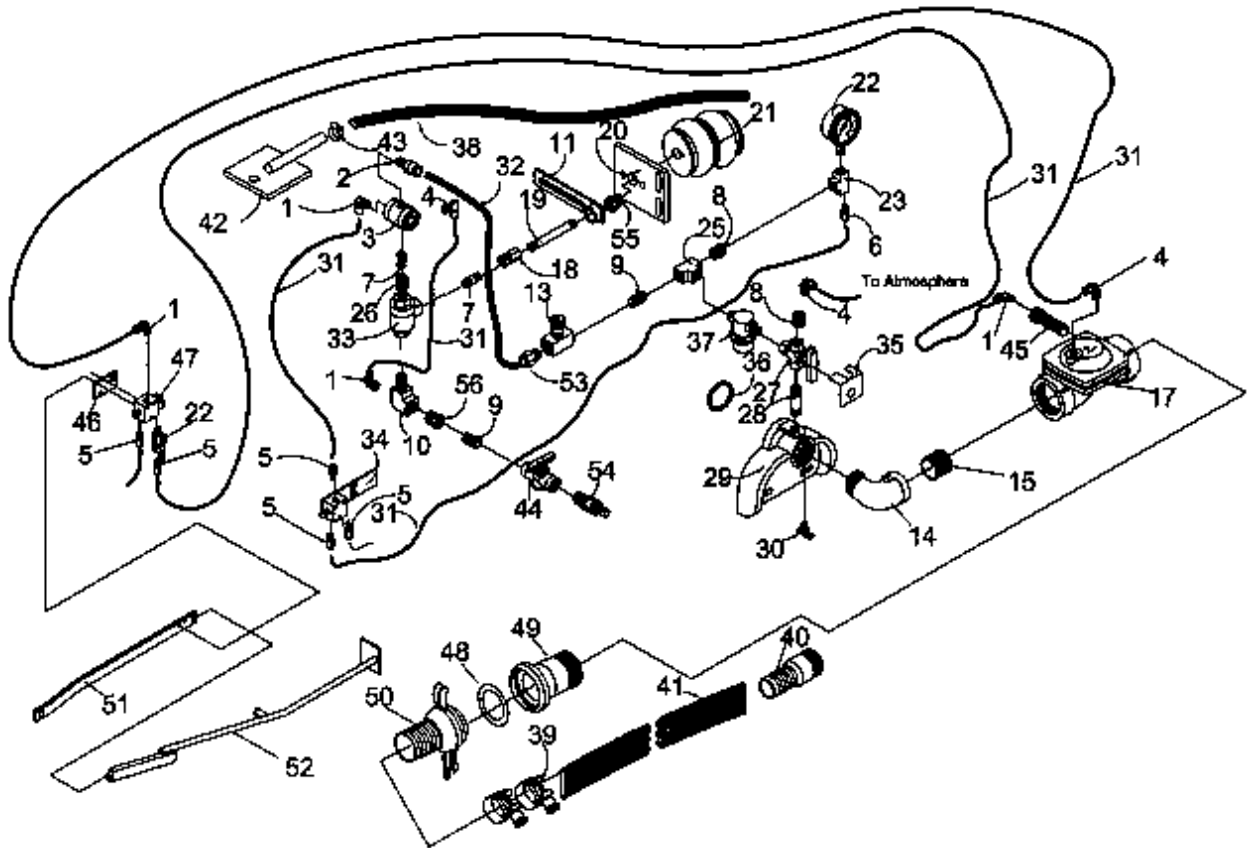
42	586-0922-2	Anchor, Discharge Hose		1
43	030-1904-7	Clamp, 23mm-25mm		2
44	500-0002-2	Valve,3/8 Hi-Lo Range 3/16		1
45	591-0142-0	Filter,1/8 To 1/4 Bushing		1
46a	5020051-0	Valve Plate		1
46b	450-4845-0	SPRING TNSN.67IDX3-1/8PLT (Not shown)		1
47	425-4845-0	Valve,MA33 NKL-ALM Spool		1

Water Motor and Plumbing B160/180



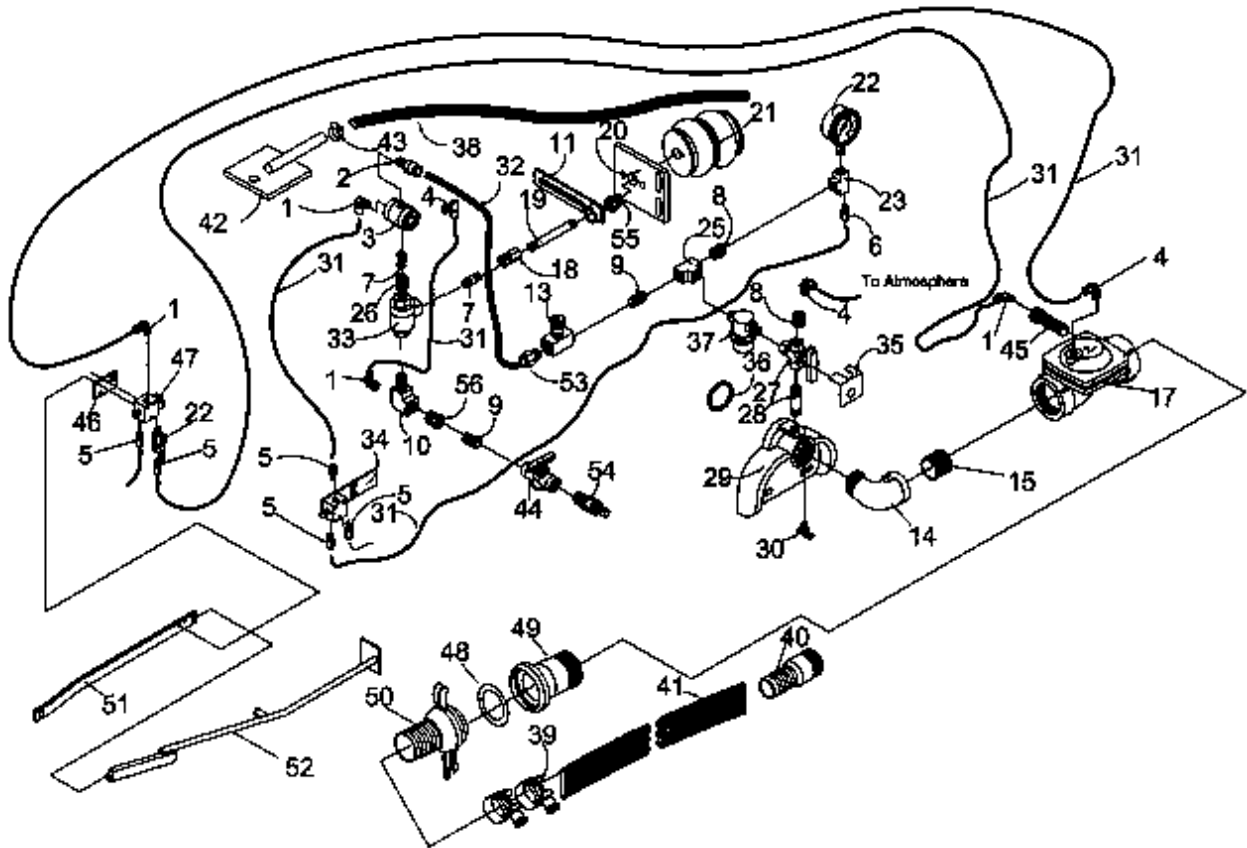
48	588-0021-3	O-Ring 2: 3-5/32 OD x .34"		1
49	599-0136-0	Socket, Entry 2"		1
50a	599-0135-0	Ball Fitting 2"		1
50b	588-0021-1	Lever-Loc Ring 2"		1
51	502-0050-0	Shut off strap WRB5		1
52	502-0042-0	Rod, Shut off WRB5		1
53	525-4917-6	Fitting Straight 3/8 Male NPT x 1/2" OD Tube		1
54	500-0025-0	Barb, Hose 3/8" Male NPT x 3/4" Hose		1
55	525-4956-1	Bushing, Reducing Br 3/4 x 1/2		1
56	525-0267-1	Bushing, Reducing Br. 1/2 x 3/8		1

Water Motor and Plumbing S/N 370,719 +



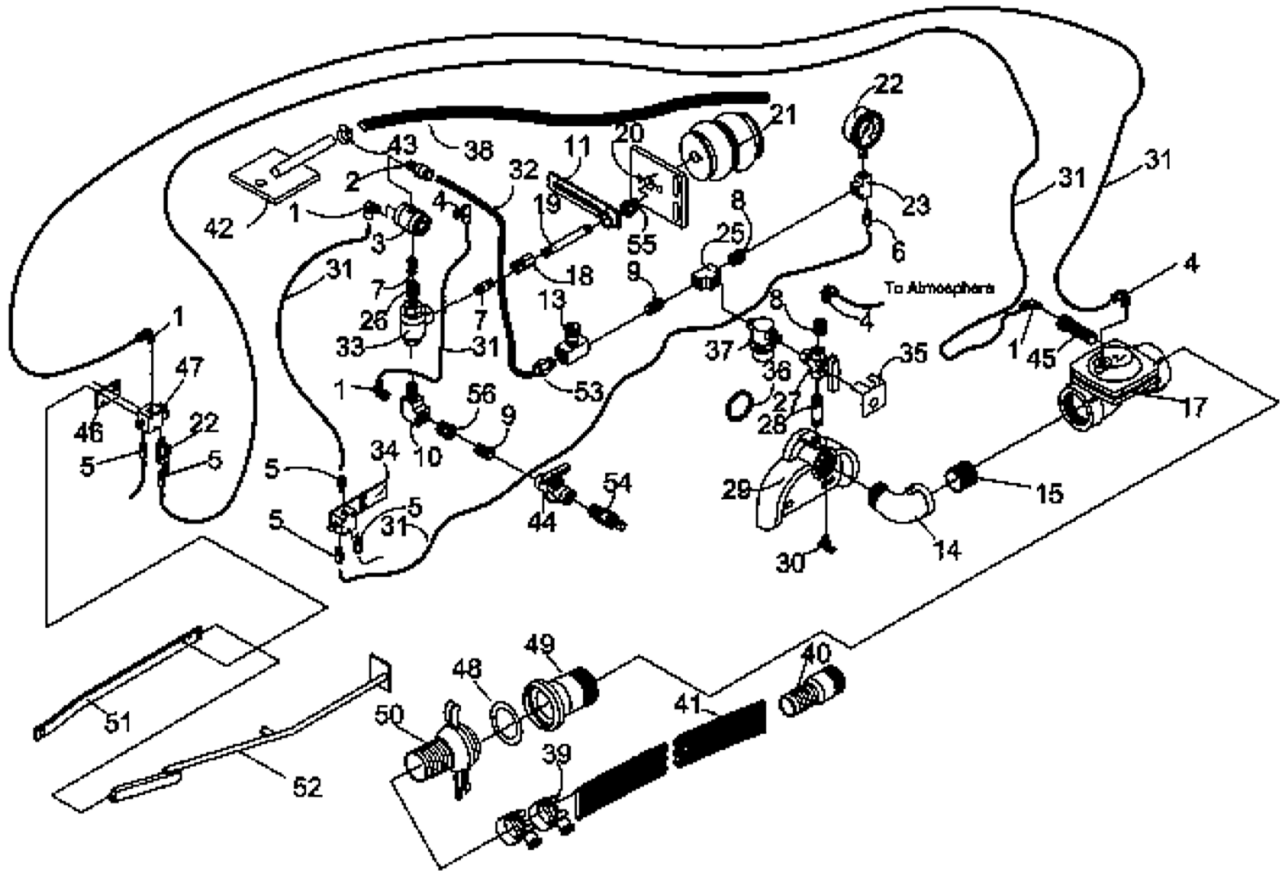
Water Motor and Plumbing S/N 370,719 +				
No.	Part Number	Description		Qty.
1	525-4915-0	Fitting, TB 90 1/8MNPT x 1/4 Tube		2
2	525-4917-7	Fitting, TB ST 1/4MNPTX1/2Tube		1
3	586-0978-6	Valve, Humphrey 250 N.O.		1
4	525-4915-1	Fitting, TB 90 1/4MNPT x 1/4 Tube		4
5	525-4917-0	Fitting, TB ST 1/8MNPT x 1/4 Tube		5
6	525-4917-2	Fitting, TB ST 1/4MNPT x 1/4 Tube		1
7	596-0011-0	Nipple, Brass 1/2 x 2"		2
8	525-0616-1	Bushing, 3/8 x 1/4 Brass Red.		2
9	525-1393-1	Nipple, Brass 3/8" x Close		2
10	599-0175-0	Elbow, St. Brass 1/2" x 90 Deg. (Drilled & Tapped)		1
11	592-0085-0	Pipe Bracket		1
12	596-0012-0	Nipple, Brass 1/2 x		1
13	586-0978-5	Valve, 3/8" Needle		1
14	584-0841-0	Elbow, Strt Glv 2"X90		1
15	500-0357-0	Nppl. Close Galv. 2" Schd.40		1
17	503-0010-0	Valve, Diaphragm 2.0" NPT		1
18	586-0988-5	Adapter Union 1/2" 8F x UFS		1
19	596-0012-0	NPPL,BR 1/2 X 5		1
20	592-0079-0	Plate, Bellows		1
21	586-0794-4	Bellows		1
22	586-0675-0	Gauge Press 0-300		1

Water Motor and Plumbing S/N 370,719 +



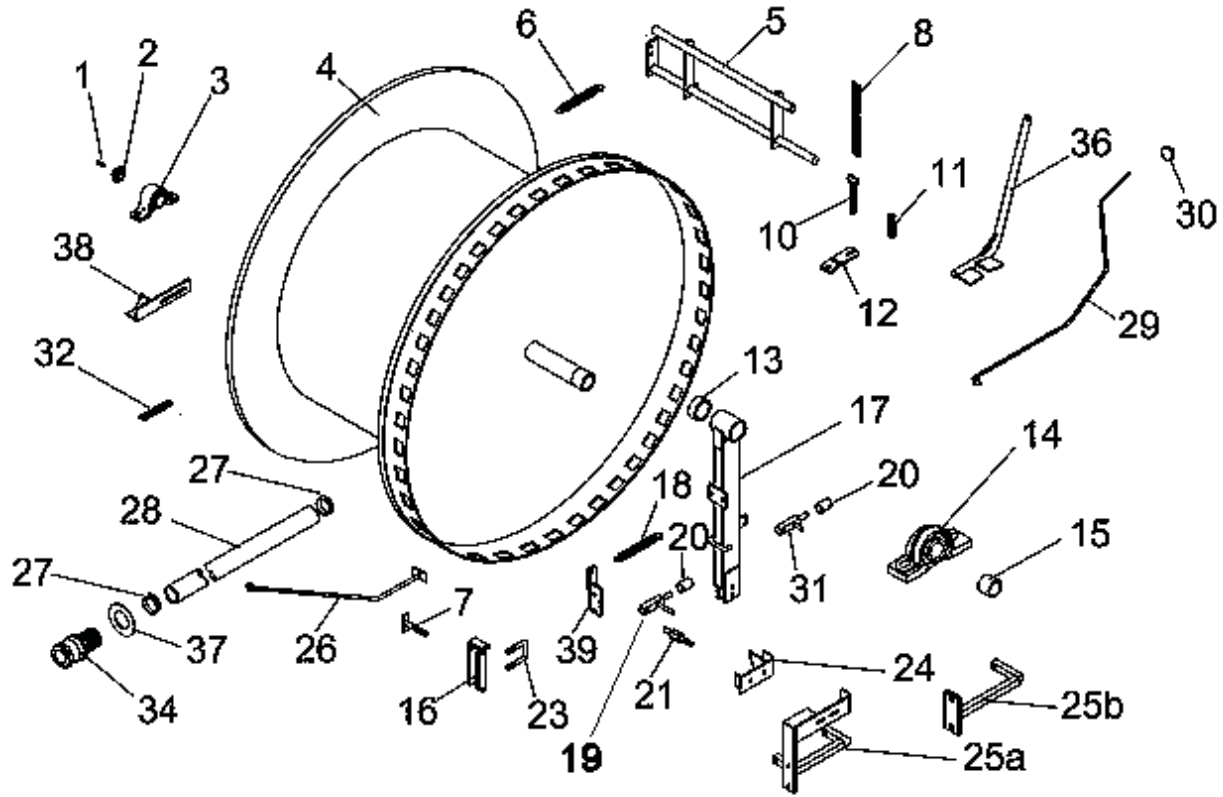
23	525-0263-2	Tee Brass 1/4"		1
25	525-0263-1	Tee, Brass 3/8"		1
26	525-0267-1	Bushing, Reducing Brass 1/2" x 1/4"		1
27	586-0757-1	Valve, On-Off (3 Way Brass Ball 3/8 x 90 Deg)		1
28	525-0264-1	Nipple, Brass 3/8 x 3		1
29	586-0839-8	Fitting, Entry B-50		1
30	525-3225-0	Cock, Drain		1
31	252-4939-0	Tube, Synflex 1/4"	Ft.	16.5
32	252-4939-3	Tube, Synflex 1/2"	Ft.	1.83
33	589-0068-1	Valve, Quick Exhaust		1
34a	594-0153-0	Valve, Pilot w/spool, stud, and nuts		1
34b	592-0055-0	Plate, Valve Mt.		1
35a	590-0278-0	Plate, Valve Indicator		1
35b	590-0279-0	Decal, Valve On/Off (not shown)		1
36	586-0991-7	O-Ring, 2-5/8 x 2-1/4 x 3/16		1
37	586-0989-3	Filter, (Ron-Vik Lo Pro 3/8")		1
38	595-0266-0	Hose, Corrugated 3/4"		1
39	030-1915-1	Clamp, Hose 55-59		4
40	586-0806-1	Nipple, Plated 2" King		1
41	586-0801-1	Hose,IRR Supply Remnant 2" (Per Ft)	Ft.	15
42	586-0922-2	Anchor, Discharge Hose		1
43	030-1904-7	Clamp, 23mm-25mm		2

Water Motor and Plumbing S/N 370,719 +



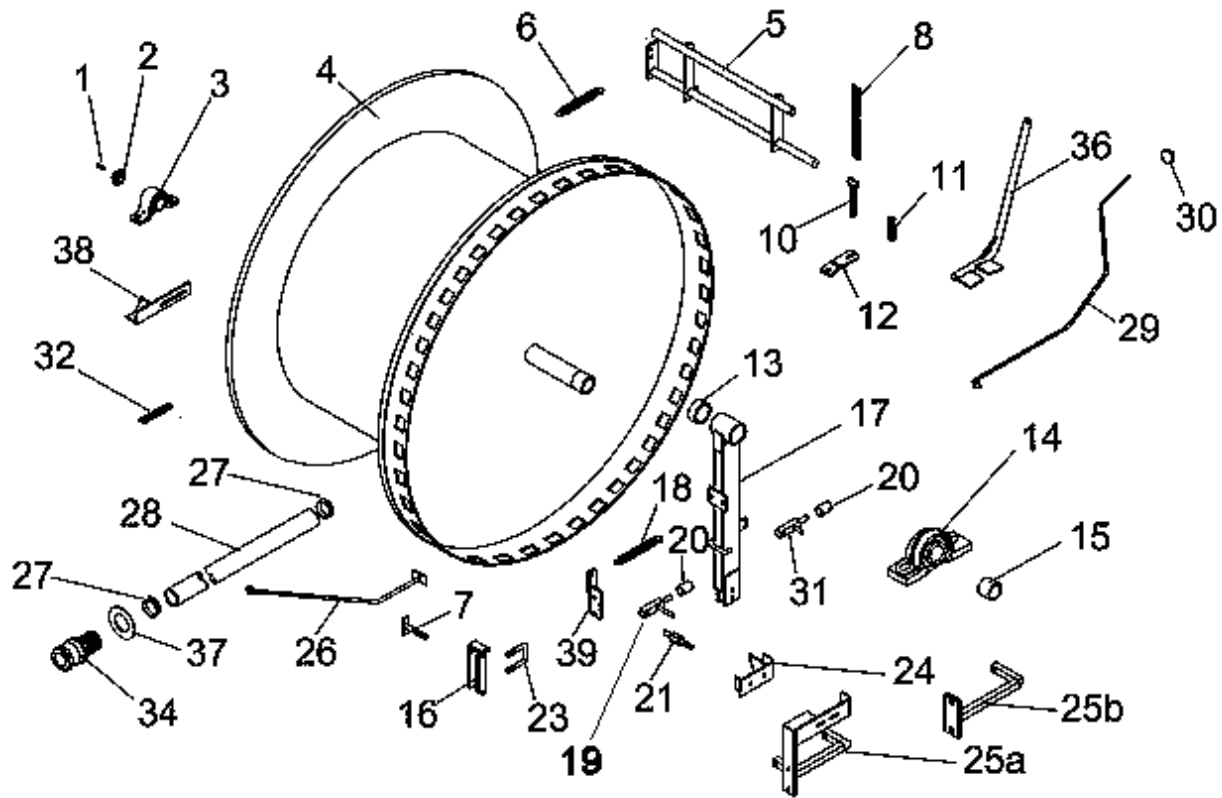
44	500-0002-2	Valve,3/8 Hi-Lo Range 3/16		1
45	591-0142-0	Filter,1/8 To 1/4 Bushing		1
46	5020051-0	Valve Plate		1
47	425-4845-0	Valve,MA33 NKL-ALM Spool		1
48	588-0021-3	O-Ring 2: 3-5/32 OD x .34"		1
49	599-0136-0	Socket, Entry 2"		1
50a	599-0135-0	Ball Fitting 2"		1
50b	588-0021-1	Lever-Loc Ring 2"		1
51	502-0050-0	Shut off strap WRB5		1
52	502-0042-0	Rod, Shut off WRB5		1
53	525-4917-6	Fitting Straight 3/8 Male NPT x 1/2" OD Tube		1
54	500-0025-0	Barb, Hose 3/8" Male NPT x 3/4" Hose		1
55	525-4956-1	Bushing, Reducing Br 3/4 x 1/2		1
56	525-0267-1	Bushing, Reducing Br. 1/2 x 3/8		1

Spool and Drive Assembly



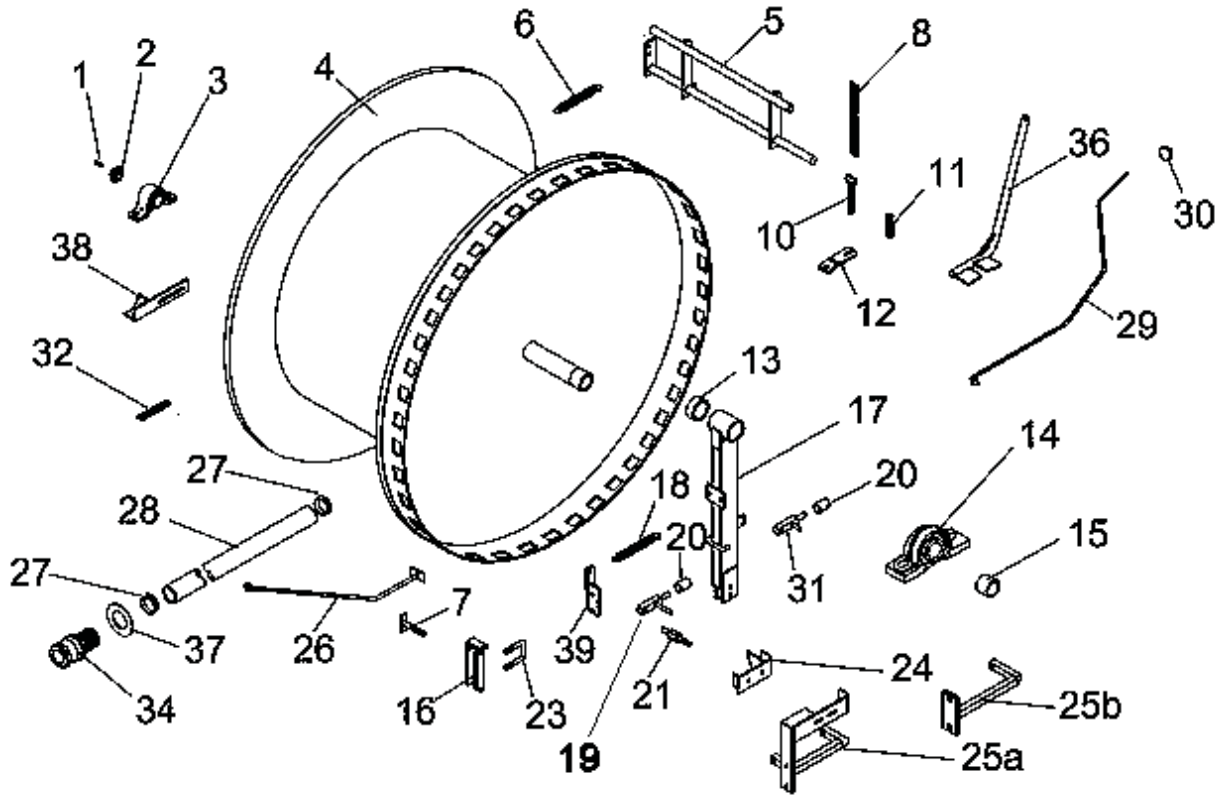
Spool and Drive Assembly				
No.	Part Number	Description		Qty.
1	563-3653-0	Key, 3/16" x 3/16" x 1.0"		1
2a	880-4932-2	Sprocket, 40 B-10, 5/8 Bore W/KW & SS B 130/140		1
2b	880-4932-1	Sprocket, 40 B-12, 5/8" bore B 160/180/200/210		1
3a	586-0983-0	Bearing, Pillow Block 1" B 130/140		1
3b	586-0983-1	Bearing, Pillow Block 1-1/4" B 160/180/200/210		1
4a	586-0896-0	Spool B 130/140		1
4b	598-0116-2	Spool B160/180		1
4c	598-0116-3	Spool B 118/200/210		
5a	587-0142-3	Tube Rider B 130/140		1
5b	587-0142-2	Tube Rider B 160/180		1
5c	592-0045-0	Tube Rider B 180/200/210		1
6	450-1633-0	Spring		1
7a	588-0502-0	Spindle, Brake Take Up		1
8a	587-0167-0	Belting, 5 Ply x 1" Neoprene B 130/140 (67")	Ft.	5.6
8b	587-0167-0	Belting, 5 Ply x 1" Neoprene B 160/180 (84")	Ft.	7.0
8c	587-0167-0	Belting, 5 Ply x 1" Neoprene B 180/200/210 (90")	Ft.	7.5
9	558-4846-3	Clevis Pin 1/4" x 1-1/4 OAL		1
10	587-0162-2	Tensioner, Brake Band		1
11	450-4858-0	Spring		1
12a	587-0160-3	Bracket, Brake Tensioner Mounting B130/140/160/180		1
12b	587-0160-4	Bracket, Brake Tensioner Mounting B 200/210		1

Spool and Drive Assembly



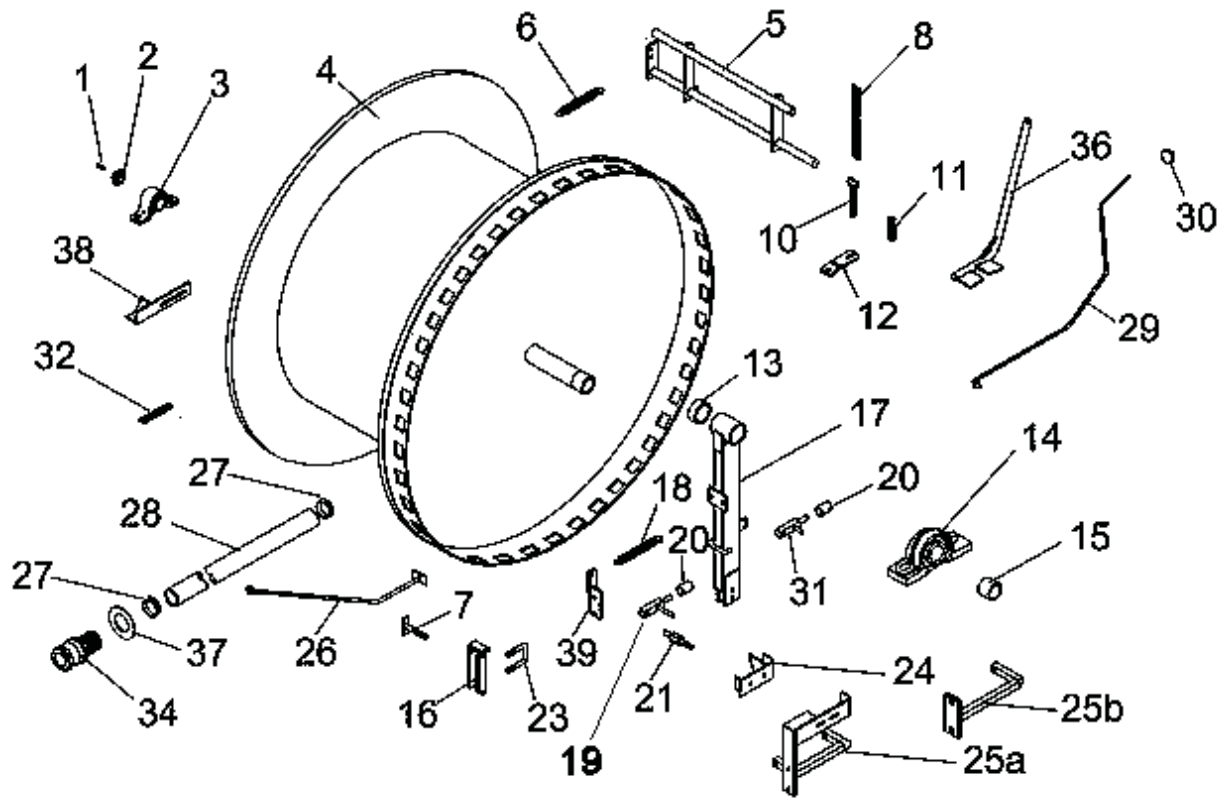
13a	586-0993-0	Collar, 1-1/2" Set B 130/140		1
13b	586-0993-1	Collar, 2.0" Set B 160/180		1
13c	599-0145-0	Collar, 2-1/4" Set B 180/200/210		1
14a	586-0982-0	Bearing, 1-1/2" Pillow Block B 130/140		1
14b	586-0982-1	Bearing, 2.0" Pillow Block B 160/180		1
14c	526-5189-0	Bearing, 2.1/4" Pillow Block B 180/200/210		1
15a	588-0167-0	Sleeve, Stainless Steel B 130/140		1
15b	588-0167-1	Sleeve, Stainless Steel B 160/180		1
15c	599-0058-0	Sleeve, Stainless Steel B 180/200/210		1
16	588-0505-0	Anchor, Rear Brake		1
17a	586-0894-4	Arm, Bellows Drive 130/140		1
17b	586-0894-3	Arm, Bellows Drive 160/180		1
17c	599-0072-0	Arm, Bellows Drive 180/200/210		1
18a	450-3536-0	Spring Tnsn 1 X 6 Plated 130/140		1
18b	450-3536-0	Spring Tnsn 1 X 6 Plated 160/180		2
18c	450-3536-5	Spring 1-1/2 X 7 X .177 180/200/210		1
19	586-0748-2	Pawl, Anti-Return		1
20	586-0994-0	Hose, Urethane 1/2 X 1/16 Wall	Ft.	.166
21a	586-0751-2	Stud, Pawl Support 130/140/160/180		1
21b	586-0751-3	Stud, Pawl Support 180/200/210		1
22	593-0288-0	Mount, Pawl Stud (not shown) 130/140		1
23a	587-0040-0	Bolt, U 3/8" x 1-1/2" x 1-1/2" x 2-1/4" Long B 130/140		2
23b	587-0040-1	Bolt, U 3/8" x 2.0" x 2.0" x 2-3/4" Long B 160/180		2
23c	587-0040-2	Bolt, U 3/8" x 2-1/2" x 2-1/2" x 3-1/4" Long B 180/200/210		2

Spool and Drive Assembly

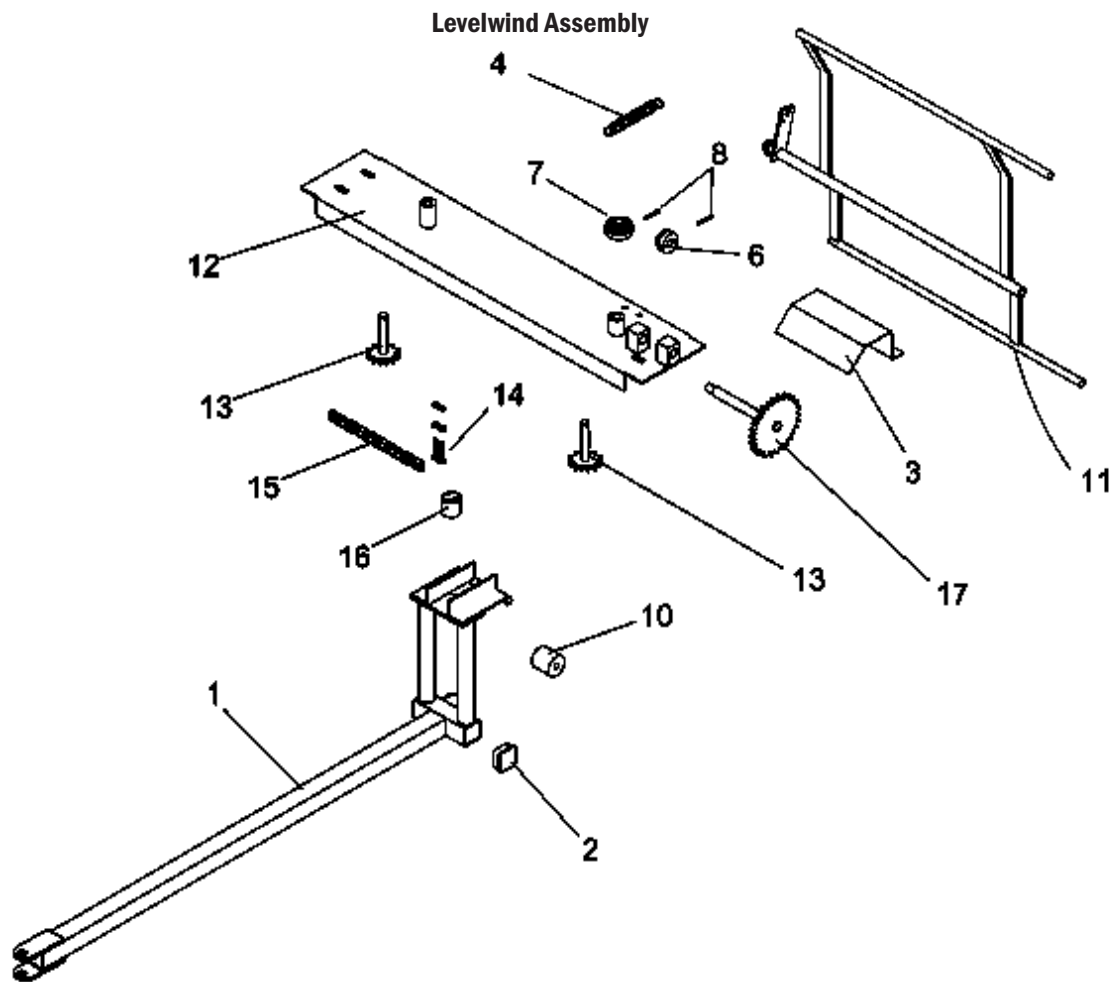


24a	586-0834-7	Striker, Adjustable Pilot Valve B 130/140		1
24b	586-0834-6	Striker, Adjustable Pilot Valve B 160/180		1
24c	592-0116-0	Striker, Adjustable Pilot Valve B 180/200/210		1
25a	593-0291-0	Bracket, Bellows Over-Travel Stop B 130/140		1
25b	586-0834-6	Bracket, Bellows Over-Travel Stop B 160/180		1
25c	592-0159-0	Bracket, Bellows Over-Travel Stop B 180/200/210		1
26a	586-0832-5	Rod, Shut Off Control B 130/140		1
26b	586-0832-4	Rod, Shut Off Control B 160/180		1
26c	502-0042-0	Rod, Shut Off Control B 180/200/210		1
27a	030-1911-9	Supra, Clamp, 40mm-43mm	130	2
27b	030-1912-7	Supra, Clamp, 43mm-47mm	140	2
27c	030-1914-3	Supra, Clamp, 51mm-55mm	160	2
27d	030-1915-1	Supra, Clamp, 55mm-59mm	180	2
27e	030-1916-0	Supra, Clamp, 59mm-63mm	200	2
27f	030-1917-8	Supra, Clamp, 63mm-68mm	210	2
28a	584-0089-4	TUBE,PE 40MMX1.3 X 390 FT	130	1
28b	594-0164-0	TUBE,PE 43MM1.4 X 350 FT	140	1
28c	584-0179-2	TUBE,PE 50MMX1.6 X 390 FT	160	1
28d	599-0089-4	TUBE,PE 55MM1.8X350FT	180x350	1
28e	599-0089-3	TUBE,PE 55MM1.8X600FT	180x600	1
28f	599-0089-1	TUBE,PE 58MM2.0IDX500FT	200	1
28g	599-0089-2	TUBE,PE 63MM2.1IDX320FT	210	1
29a	586-0818-0	Rod, Pawl Disengage B 130/140		1
29b	586-0818-1	Rod, Pawl Disengage B 160/180		1
29c	592-0090-0	Rod, Pawl Disengage B 180/200/210		1

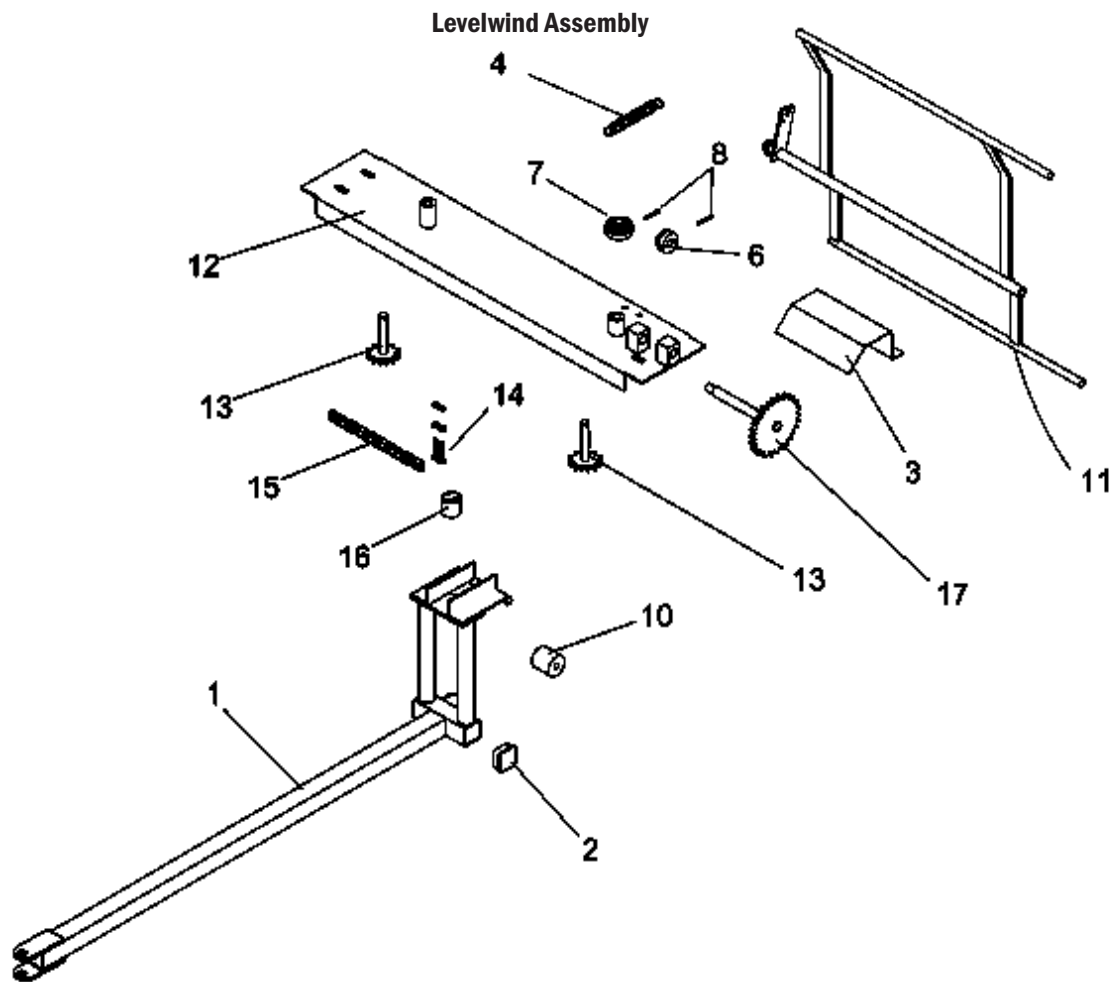
Spool and Drive Assembly



30	302-4915-0	Knob, Ball		1
31	586-0748-0	Pawl, Ratchet Drive		1
32	587-0128-1	Chain, Roller (112 Roller)		
34a	590-0242-6	CMLK,MA1.5X1.3PE TB BARB	130	1
34b	590-0242-3	CMLK,MA1.5X1.43PE TB BARB	140	1
34c	590-0242-0	CMLK,MA1.5X1.6PE TUBE BARB	160	1
34d	590-0242-2	CMLK,MA2X1.8 PE TUBE BARB	180	1
34e	590-0242-4	CMLK,MA 2.0X2.0PE Tube Barb	200	1
34f	590-0242-5	CMLK,MA 2.0X 2.1PE Tube Barb	210	1
35	587-0252-0	Grip, .812 x 4-1/2 Black Mocap Hand		1
36	587-0250-0	Handle, Rewind		1
37a	553-0255-2	Machine Bushing, 3-1/8" x 1-5/8" x 10 Ga. B 140		1
37b	553-1867-2	Washer,Flat USS 1-1/4. B 130		1
37c	593-0177-0	Machine Bushing, " x " x 10 Ga. B 160		1
37d	595-0224-0	Machine Bushing, " x " x 10 Ga. B 200/210		1
38a	590-0262-0	Idler, Levelwind Chain		1
	302-4844-0	Link, #40 Roller Chain Off-Set (Not Shown)		1
	302-4845-0	Link, #40 Roller Chain Connecting (Not Shown)		1
39	594-0181-0	Mount, Spring (B 130/140 only)		1

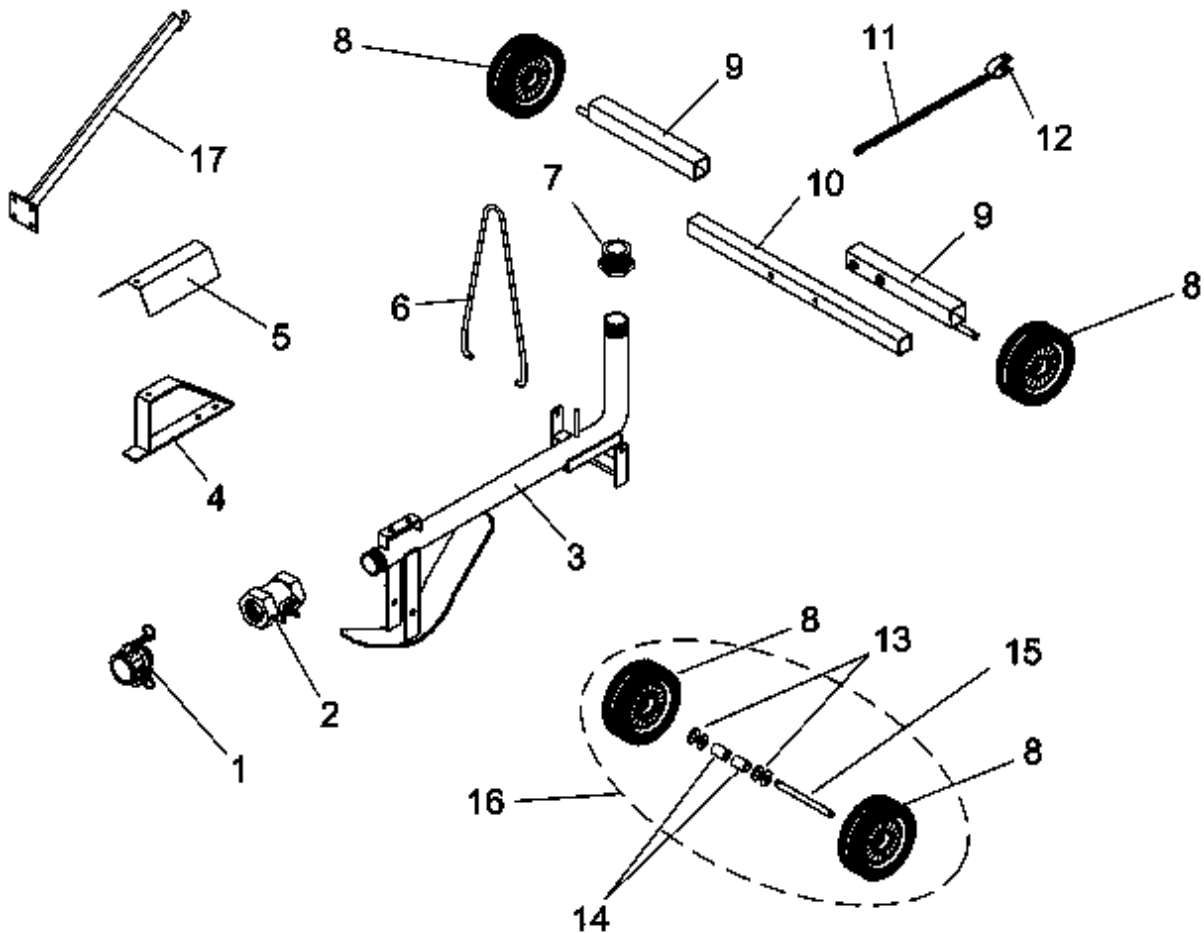


Levelwind Assembly				
No.	Part Number	Description		Qty.
1a	586-0887-0	Arm, Levelwind B 130/140		1
1b	586-0887-1	Arm, Levelwind B 160/180		1
1c	586-0887-4	Arm, Levelwind B 180/200		1
2a	586-0992-0	Cap, 1-1/2" Square Tube B 130/140		2
2b	586-0992-1	Cap, 2.0" Square Tube B 160/180		2
3	586-0808-0	Guard, Bevel Gear		1
4	587-0248-0	Spring, 3/4 x 1-3/4 Tension		1
6	500-0067-0	Pinion Gear HB #020012		1
7	500-0068-0	Bevel Gear HB #020026		1
8	500-0069-0	Pin, Grove HB #009008		1
10	587-0018-0	Roller, Hose Guide		1
11	593-0221-0	Bar, Safety/Shut-Off		1
12a	593-0222-0	Frame, levelwind B 130/140		1
12b	586-0658-4	Frame, levelwind B 160/180		1
12c	592-0012-0	Frame, levelwind B 180/200		1
13	586-0665-0	Shaft/ Sprocket, Levelwind Drive		2
14	586-0972-0	Link, #40 Double Roller Chain Repair		1
	587-0129-0	Chain, #40 Roller (80 Roller)	Ft.	
16	586-0876-0	Lug, Levelwind Carrier Drive		1



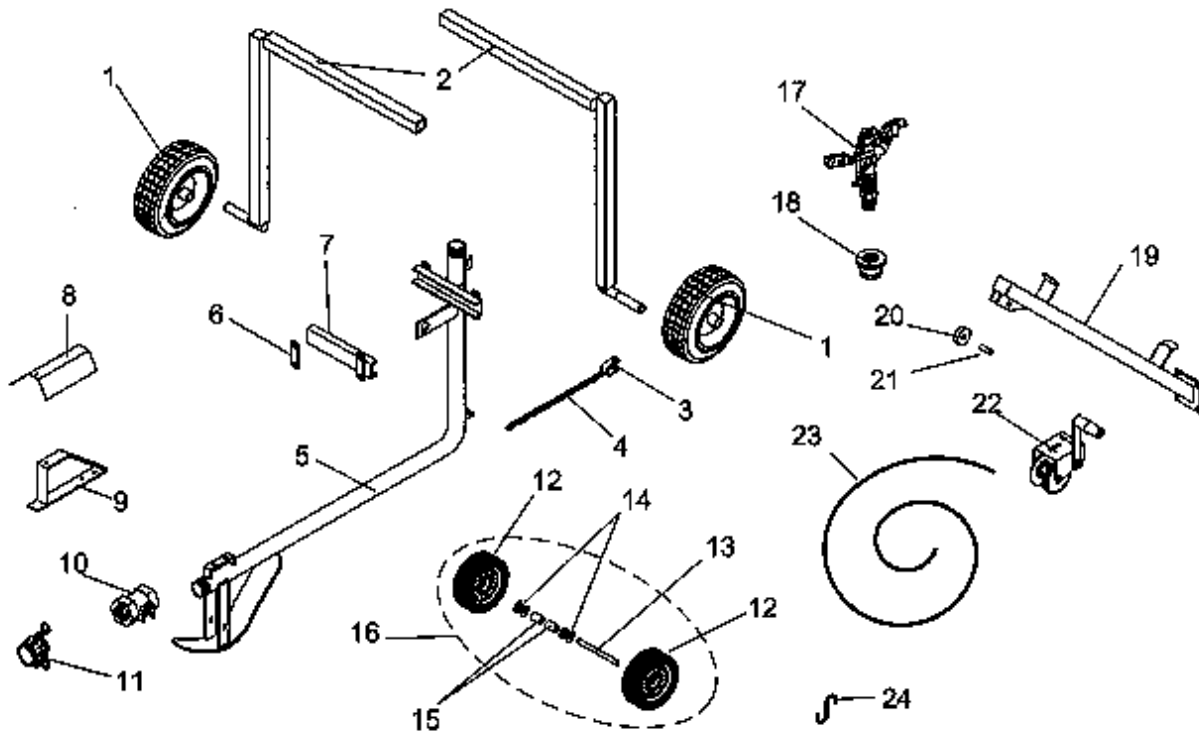
17a	595-0289-2	Shaft, Levelwind Input B 130/140		1
17b	880-4904-1	SPRKT,40B27 5/8 BORE B 130		1
17c	880-4933-7	SPRKT,40B25 5/8 BORE B 140		1
17d	586-0742-1	SHAFT&SPRKT,LVLWND INPUT B 160		1
17e	586-0742-8	SPROCKET,INPUT B 180S		
17d	586-0742-4	SHAFT,INPUT LEVELWIND B 180		1
17e	586-0742-7	SHAFT,INPUT LEVELWIND B 200		1

Sprinkler Cart Assembly B 130/140



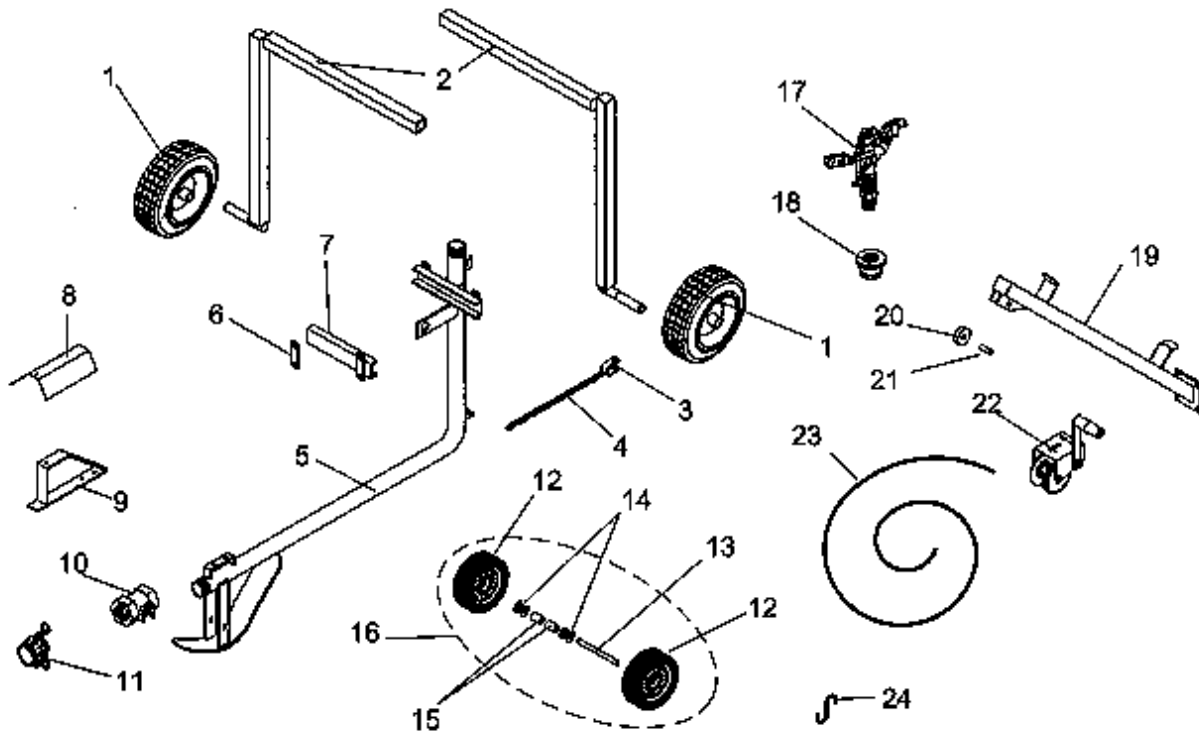
Sprinkler Cart Assembly B 130/140				
No.	Part Number	Description		Qty.
1	587-0100-1	CMLK,B FE 1-1/2 x 1-1/2 MNPT		1
2	252-4935-1	Valve, Butterball 1-1/2"		1
3	502-0001-0	Body, Guncart B 130/140 Low		1
4	502-0009-0	Stop		1
5	596-0034-0	Shield, Decal		1
6	587-0004-5	Bail		1
7	585-0405-0	Bushing, Reducing Galvanized 2" to 1-1/2"		1
8	587-0000-3	Wheel, 8 x 1-7/16 x 1/2		2
9	501-0068-0	Leg, Cart B 130/140 Low		2
10	502-0004-0	Axle, Guncart B 130/140 Low		1
11	850-4059-0	Chain	Ft.	3
12	596-0233-0	Clevis		1
13	553-0628-0	Bushing, Machine 1-1/2" OD x 1" ID x 18 Ga.		4
14	590-0220-0	Bushing, 3/4" x 11 Ga.		1
15	590-0221-0	Axle, Guncart Front		1
16	990-7003-0	Kit, Front Wheels		1
17	586-0848-5	Boom, B130/140 Low		1

Sprinkler High Cart Assembly B 130/140



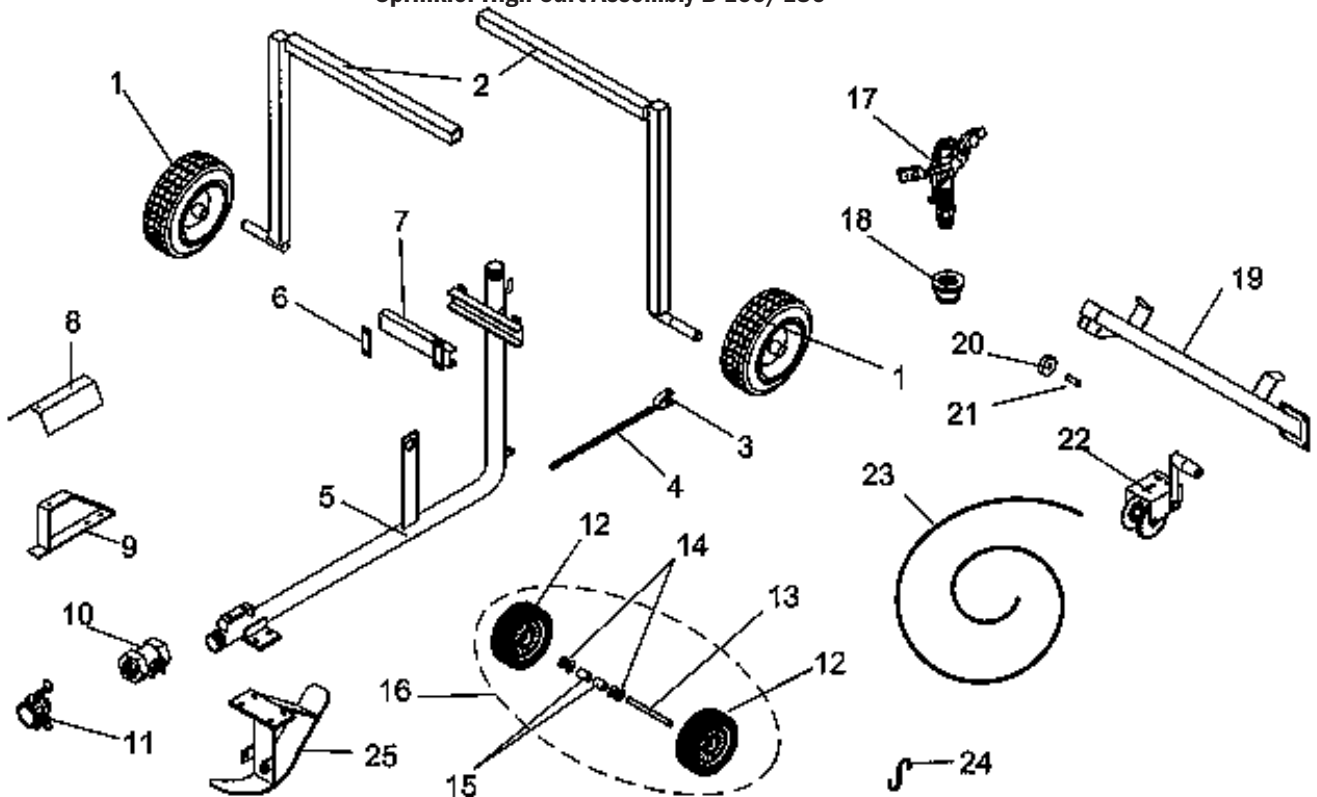
Sprinkler Cart Assembly B 130/140				
No.	Part Number	Description		Qty.
1	586-0811-0	Wheel & Tire, 4:1 x 3:5 x 4 1B2P		2
2	502-0011-0	Leg, 130/140 High Cart Axle		2
3	596-0233-0	Clevis, Pull Chain		1
4	850-4059-0	Chain, 3/16 Proof Coil Plated	Ft.	3
5	599-0446-0	Body Guncart 130/140		1
6	587-0082-0	Strap		1
7	587-0083-0	Clamp		1
8	596-0034-0	Shield, Decal		1
9	502-0009-0	Stop		1
10	252-4935-1	Valve, Butterball 1-1/2"		1
11	587-0100-1	CMLK, B Fe 1-1/2 x 1-1/2 MNPT		1
12	587-0000-3	Wheel, 8 x 1-7/16 x 1/2		2
13	590-0221-0	Axle, Guncart Front		1
14	553-0628-0	Bushing, Machine 1-1/2" OD x 1" ID x 18 Ga.		2
15	590-0220-0	Bushing, 3/4" x 11 Ga.		2
16	990-7003-0	Kit, Front Wheels		1

Sprinkler High Cart Assembly B 130/140



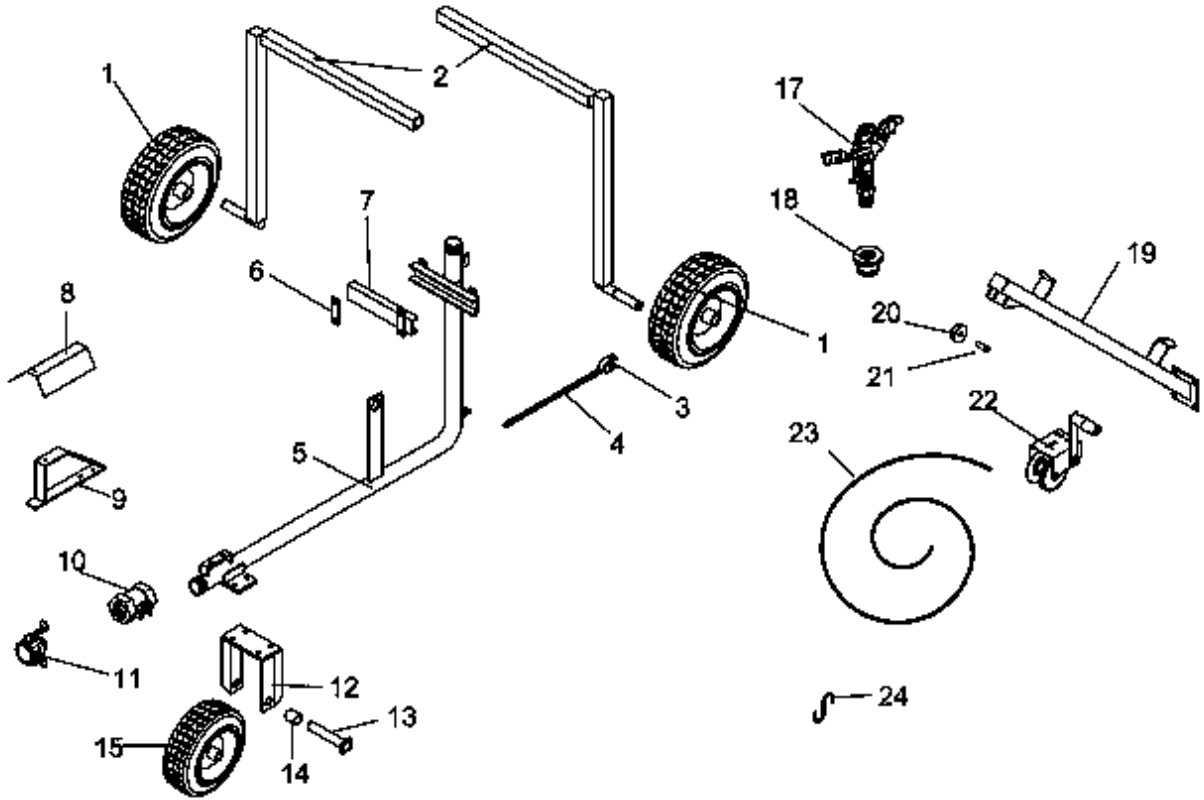
17a	588-0354-0	Gun, Nelson P 65		1
17b	526-6288-1	Gun, Nelson P 85		1
17c	500-0076-0	Gun, Nelson SR 75		1
17d	501-0080-0	Gun, Komet 163		1
17e	501-0081-0	Gun, Sime K1		1
18a	586-0713-0	Coupling, Reducing Galv. 1-1/2 x 1		1
18b	585-0405-0	Bushing, Reducing Galv. 2 x 1-1/2 (Not Shown)		1
19	586-0848-3	Hanger, Guncart		1
20	593-0334-0	Pulley, WRP 3/8 x 2 x 1/2 Bore UHMW P		1
21	558-3574-1	Pin, Clevis 1/2 x 1-1/2"		1
22	400-4855-3	Winch, Fulton T-600		1
23	750-4844-6	Rope, Nylon 3/8 Solid Braid	Ft.	6
24	599-0496-0	S Hook 2" SS 1/4" Wire Size		1

Sprinkler High Cart Assembly B 160/180



Sprinkler High Cart Assembly B 160/180				
No.	Part Number	Description		Qty.
1	586-0811-0	Wheel and Tire 4:1 x 3:5 x 4 1B2P		2
2	586-0999-4	Axle, Guncart 160H		2
3	596-0233-0	Clevis, Pull Chain		1
4	850-4059-0	Chain, 3/16 Proof Coil PLTP	Ft.	3
5	590-0235-2	Body, Guncart High B 160/180		1
6	587-0082-0	Strap		1
7	587-0083-0	Clamp		1
8	596-0034-0	Shield, Decal		1
9	502-0009-1	Stop, 160/180/200		1
10	252-4935-1	Valve, Butterball 1-1/2"		1
11	587-0100-1	CMLK, B Fe 1-1/2 x 1-1/2 MNPT		1
12	587-0000-3	Wheel, 8 x 1-7/16 x 1/2		2
13	590-0221-0	Axle, Guncart Front		1
14	553-0628-0	Bushing, Machine 1-1/2" OD x 1" ID x 18 Ga.		2
15	590-0220-0	Bushing, 3/4" x 11 Ga.		2
16	990-7003-0	Kit, Front Wheels		1
17a	526-6288-1	Gun, Nelson P 85		1
17b	500-0076-0	Gun, Nelson SR 75		1
18	585-0405-0	Bushing, Reducing Galv. 2 x 1-1/2" (not as shown)		1
19	586-0848-3	Hanger, Guncart		1
20	593-0334-0	Pulley, WRP 3/8 x 2 x 1/2 Bore UHMW P		1
21	558-3574-1	Pin, Clevis 1/2 x 1-1/2"		1
22	400-4855-3	Winch, Fulton T-600		1
23	750-4844-6	Rope, Nylon 3/8 Solid Braid	Ft.	6
24	599-0496-0	S Hook 2" SS 1/4" Wire Size		1

Sprinkler High Cart Assembly B 180/200

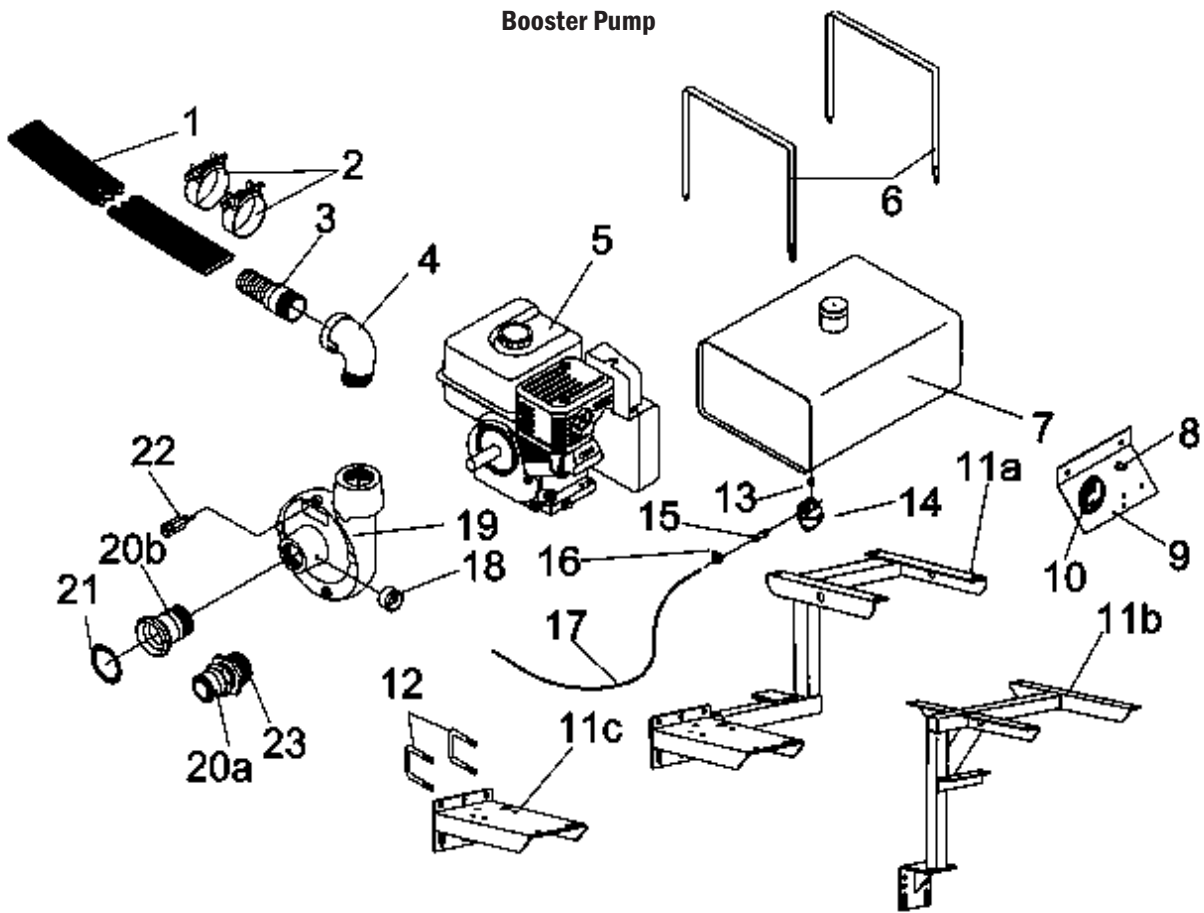


Sprinkler High Cart Assembly B 180/200				
No.	Part Number	Description		Qty.
1	586-0229-0	Wheel and Tire 4:8 x 4 x 8 1B2P		2
2	586-0999-4	Axle, Guncart 160H		2
3	596-0233-0	Clevis, Pull Chain		1
4	850-4059-0	Chain, 3/16 Proof Coil PLTP	Ft.	3
5	590-0235-2	Body, Guncart High B 160/180		1
6	587-0082-0	Strap		1
7	587-0083-0	Clamp		1
8	596-0034-0	Shield, Decal		1
9	502-0009-1	Stop, 160/180/200		1
10	252-4935-1	Valve, Butterball 1-1/2"		1
11	587-0100-1	CMLK, B Fe 1-1/2 x 1-1/2 MNPT		1
12	588-0149-1	Yoke		1
13	586-0899-0	Axle		1
14	586-0844-0	Spacer		2
15	586-0811-0	Wheel and Tire 4:1 x 3:5 x 4 1B2P		1
17	500-0076-0	Gun, Nelson SR 75		1
18	585-0405-0	Bushing, Reducing Galv. 2 x 1-1/2" (not as shown)		1
19	586-0848-3	Hanger, Guncart		1
20	593-0334-0	Pulley, WRP 3/8 x 2 x 1/2 Bore UHMW P		1
21	558-3574-1	Pin, Clevis 1/2 x 1-1/2"		1
22	400-4855-3	Winch, Fulton T-600		1
23	750-4844-6	Rope, Nylon 3/8 Solid Braid	Ft.	6
24	599-0496-0	S Hook 2" SS 1/4" Wire Size		1



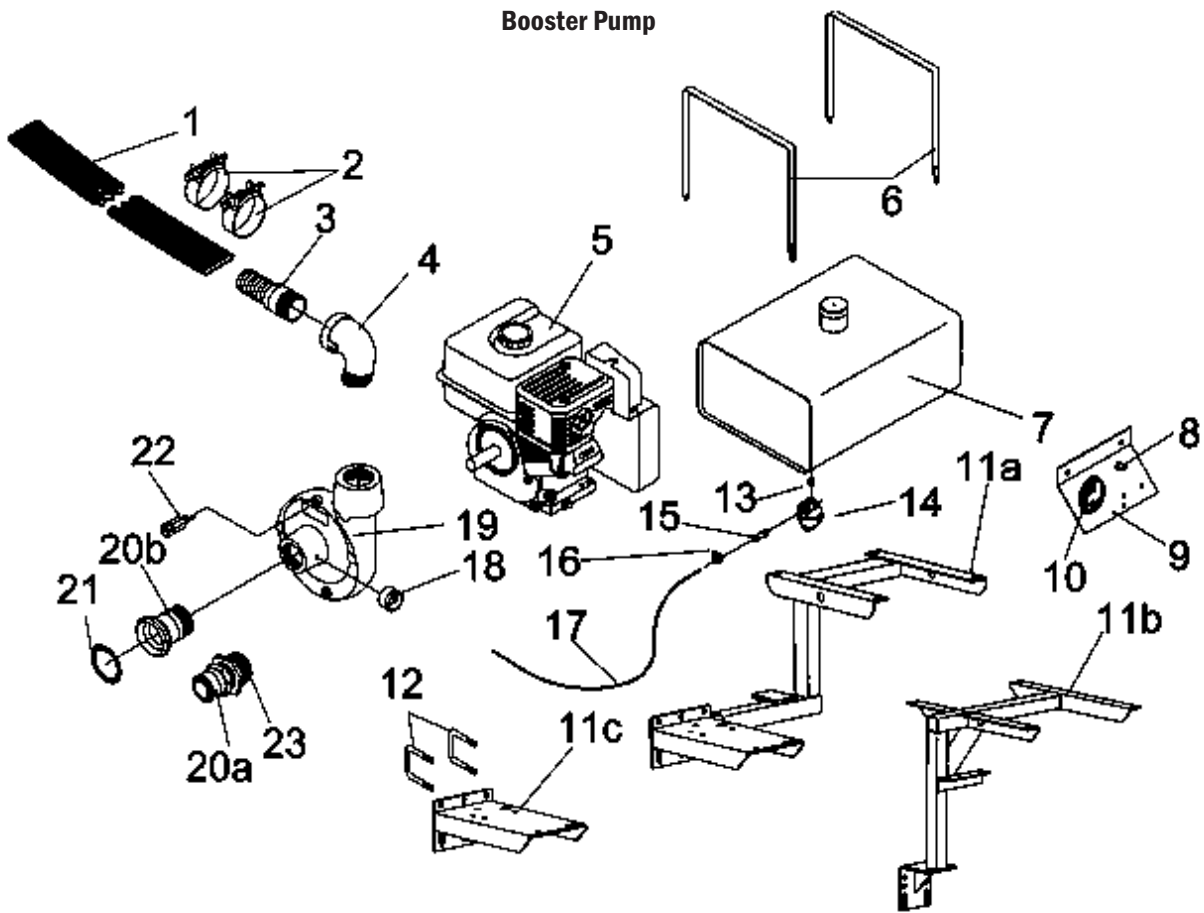
No.	Part Number	Description	Qty.
		Decal Group	
1	586-0743-0	Decal, Water-Reel	8
2	586-0821-1	Decal, Made In USA	1
3	585-0299-2	Decal, Logo, 6" Round	1
4	586-0821-0	Decal, Kifco	1
5	595-0501-0	Decal, Important Choke	1
6	599-0285-1	Decal, 140 Performance Guide	1
7	587-0014-0	Decal, Page	1
8	596-0018-0	Decal, Flow Switch Override Button	1
9	596-0425-0	Decal, Remove Side Panel	1
10	596-0426-0	Decal, Service Notice Change Oil	1
11	595-0274-0	Decal, Caution Pump Run Dry	1
12	595-0273-0	Decal, Warning Operate Pump	1
13	596-0049-0	Decal, Warning Stand Clear Sprinkler	1
14	596-0044-0	Decal, Valve	1
15	193-0103-0	Decal, Notice Fill Fuel - Honda Engine	1
16	193-0103-1	Decal, Notice Fill Fuel - Robin Engine	1

Booster Pump



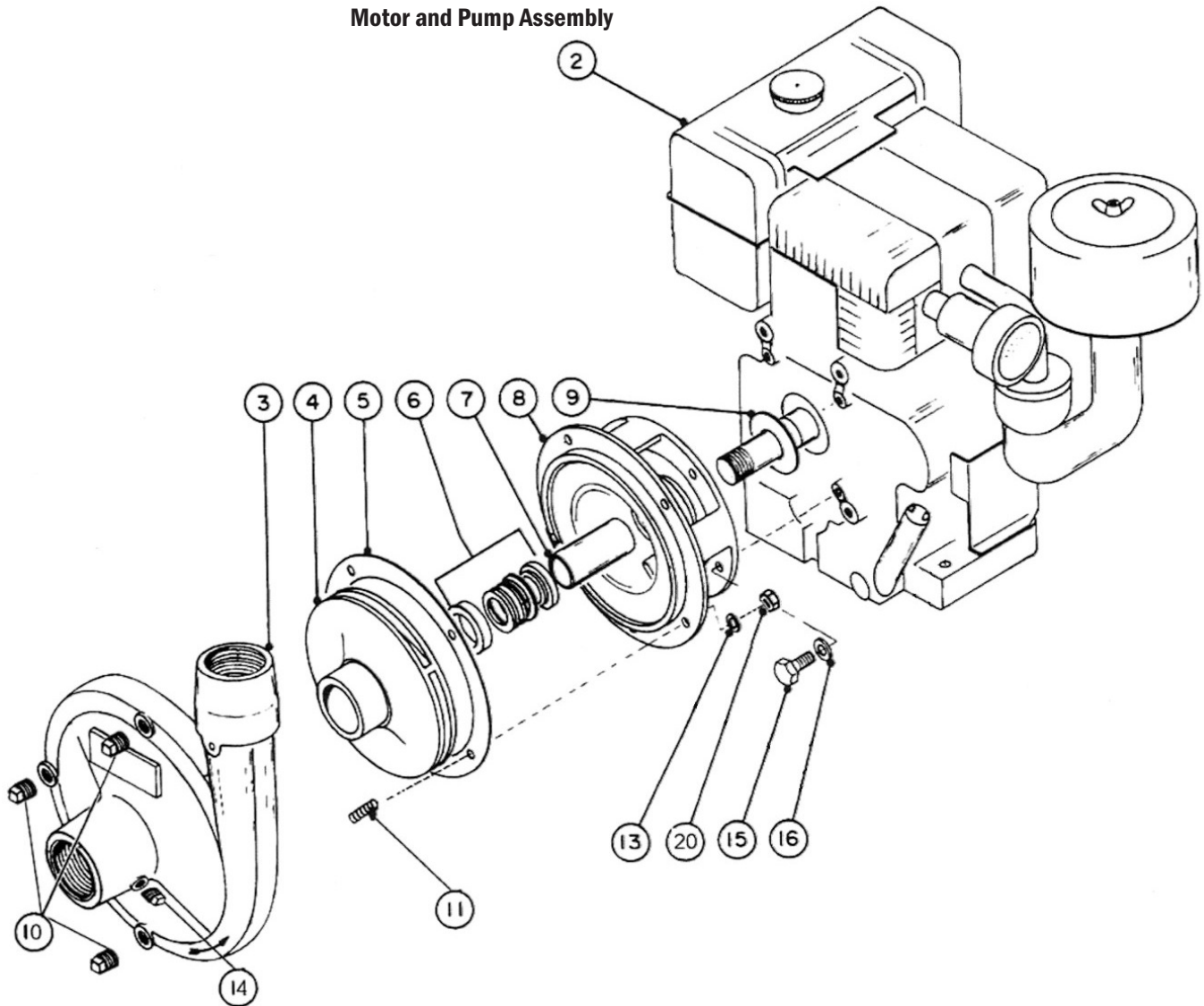
Booster Pump				
No.	Part Number	Description		Qty.
1	586-0801-1	Hose, 2"	Ft.	2.5
2	030-1915-1	Supra Clamp 55mm-59mm		1
3	586-0806-1	Nppl. King 2"		1
4	584-0841-0	Elbow, Street Galv. 2" x 90 Deg.		1
5a	598-0141-0	Engine, 6 HP Subaru Threaded shaft for Pumps		1
5b	500-0682-1	Pump and Engine MNRC Subaru 6.0 HP		1
5c	594-0256-0	Engine, 5.5 Honda Threaded shaft for Pumps		1
5d	500-0682-0	Pump and Engine MNRC Honda 5.5 HP		1
5e	598-0141-2	Engine, 8.5 HP Subaru Threaded Shaft for Pumps		1
5f	500-0682-3	Pump and Engine Subaru 8.5 HP		1
5g	584-0701-3	Engine, 8/9 HP Honda Threaded Shaft for Pumps		1
5h	500-0682-1	Pump and Engine Honda 9.0 HP		1
6a	500-0550-0	Tank Strap 5.5 Gal.		2
6b	599-0157-0	Tank Strap, Tank 12		1
7a	584-0693-0	Tank, Fuel & Cap 5.3 Gal.		1
7b	599-0178-0	Tank, Fuel & Cap 12 Gal.		1
8	594-0423-1	Switch, Override NRML Clsd		1
9	501-0054-0	Panel, Gauge		1
10	500-0572-0	Gauge, Murphy 20P-150		1

Booster Pump



11a	500-0546-0	Mt, Tank and Engine 5.5 Gal		1
11b	502-0163-0	Gas Tank Mt. 12 Gal. Bellows		1
11c	599-0046-1	Mount, Engine		1
12a	587-0040-0	Bolt, U Sq. 3/8 x 1-1/2 x 2-1/4		5
12b	587-0040-1	Bolt, U Sq. 3/8 x 2 x 2-3/4		5
12c	587-0040-2	Bolt, U Sq. 3/8 x 2-1/2 x 3-1/4		5
13	525-0898-1	Nipple, 1/8" Close Brass		1
14	277-4919-0	Filter Glass Bowl Fuel		1
15	585-0231-0	Barb, 1/8" NPT x 3/16"		1
16	596-0346-0	Clamp, Spring .360 OD x .31 - (Robin Engine)		1
17a	584-0695-1	Hose, Gas 1/4 x 27/64 - (Subaru Engine)		
17b	584-0695-0	Hose, Gas 3/16 x 23/64 - (Honda Engine)		
17c	592-0322-1	BARB,RDCNG HOSE 1/4X3/16 (not shown)		1
18	586-0674-2	Gauge,Press 0-160 Rear Mt		1
19a	599-0068-0	Pump ACGF-5SDH-LP No Engine (5.5/6 HP 0		1
19b	599-0068-1	Pump ACGF-850V-LP No Engine (8.5/9 HP)		1
20a	586-0803-0	CMLK, F Ma 1-1/2 x 1-1/2 MNPT		1
20b	599-0136-0	Fitting, 2" Socket x 2" NPT		1
21	588-0021-3	Seal, Ring 2" 3-5/32 OD x .34"		1
22	595-0669-0	Valve, Modified 1/4" Thermo		1
23	585-0405-0	Bushing, Reducing 2 x 1-1/2		1
24a	597-0166-1	Engine Cover Honda 6.5&5.5		1
24b	597-0166-0	Engine Cover 9 HP Honda		1
24c	598-0140-0	Shield, Robin Choke		1

Motor and Pump Assembly



Motor and Pump Assembly			
No.	Part Number	Description	Qty.
1	594-0255-0	Handle, (Irregular Shape)	1
2A	594-0256-0	Engine, Honda 5.5 HP	1
2B	598-8041-0	Engine, 6HP Robin for Pump	1
3	594-0257-0	Casing 1-1/2 x 2	1
4	595-0416-0	Impeller, 6.1 Dia. 5/8" Tread	1
5	594-0252-0	O-Ring	1
6	594-0253-0	Mechanical Seal 3/4" ID	1
7	595-0417-0	Sleeve 3/4 OD 1.6" Long	1
8	594-0260-0	Adapter	1
9	594-0250-0	Flinger 1-1/4 x 3/4 x 1/16 Thick	1
10		Drain Plug, 1/4" NPT	1
11A	594-0261-0	Stud, 3/8 UNC x 1-1/2"	2
11B	594-0262-0	Stud, 3/8 UNC x 1-1/4"	2
13		Washer, Lock 3/8"	4
14		Drain Plug, 1/8" NPT	1
15		Bolt, 5/16 UNF x 3/4	4
16	596-0001-0	Washer, Bonded Seal Washer	4
20		Nut, 3/8" UNC	4