



707 S. Schrader Ave.  
P.O. Box 290  
Havana, IL 62644  
USA  
Phone: 309.543.4425  
Fax: 309.543.4945  
E-mail:  
parts@kifco.com

## Water-Reel<sup>(TM)</sup> Irrigation

### PARTS MANUAL

**B 100/110**

**S/N 320,000-399,999**

updated page 6 7/28/05 Rc

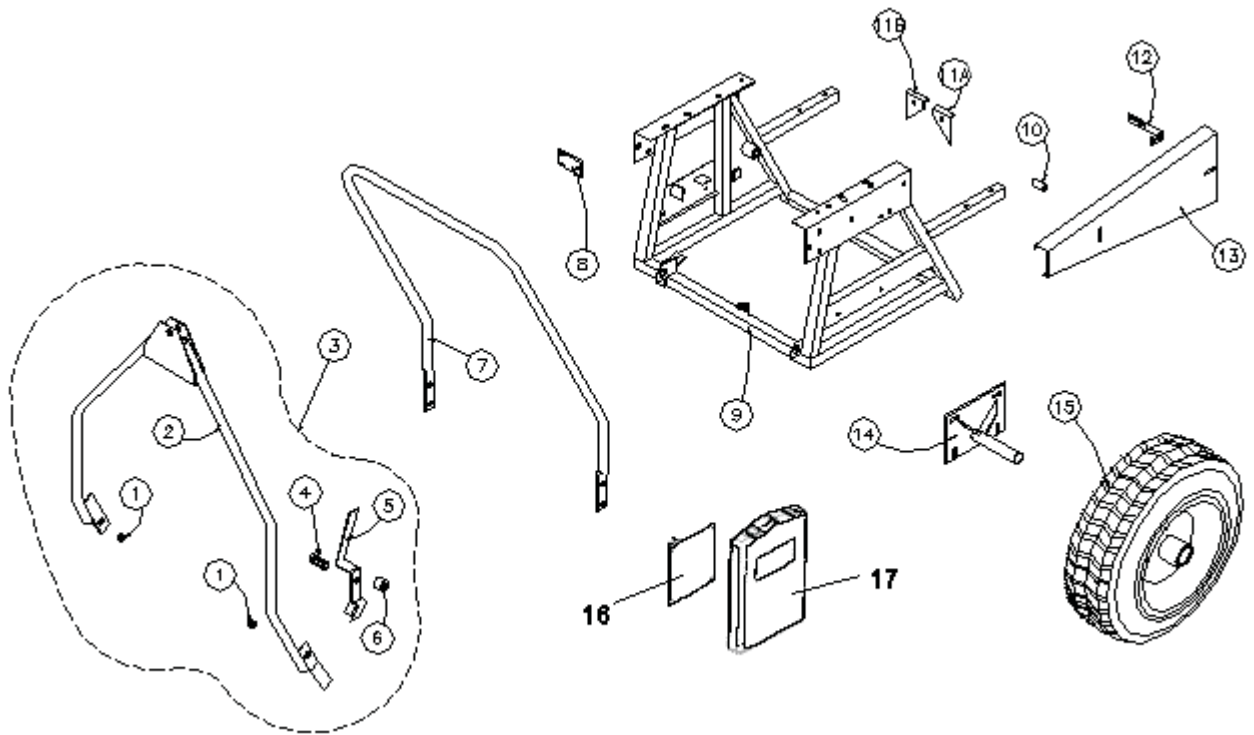
<b>Assembly</b>	<b>Page</b>
Frame and Wheel Assembly	2
Water Motor & Plumbing	3 & 4
Spool & Drive Assembly	6 & 7
Levelwind Assembly	8
Sprinkler Cart Assembly	9
Decal Group	10

#### Notes:

For Parts That Are Described As "Left" Or "Right" The Water Inlet Side Of The Machine Is Considered The Right Side.

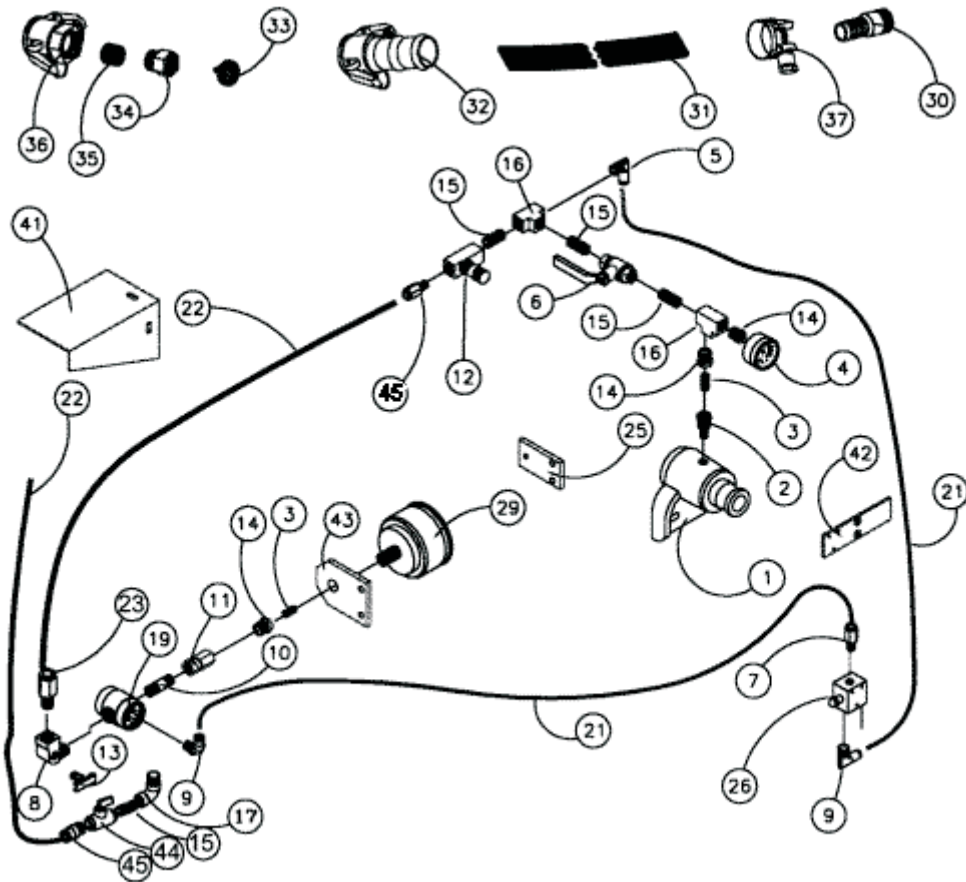
Items Such As Common Fasteners, Grease Fitting, And Other Small Parts Easy To Acquire Locally Are Not Listed.

## Frame and Wheel Assembly



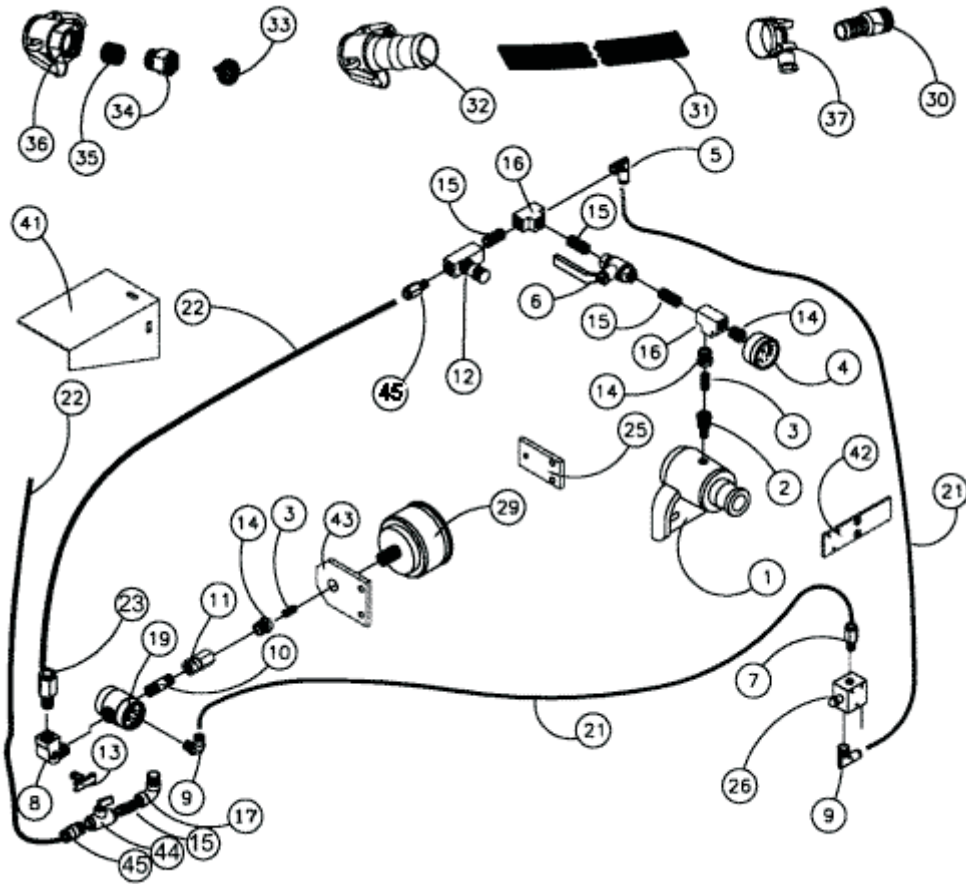
Frame and Wheel Assembly			
No.	Part Number	Description	Qty.
1	512-4847-0	Bushing	2
2	592-0108-0	Tongue	1
3	990-7007-0	Kit, B100/B110 Hitch	1
4	450-4858-4	Spring, 1 1/8 x 1/2 Compression	1
5	592-0113-0	Latch	1
6	592-0114-0	Stop	1
7	591-0110-0	Handle	1
8	591-0139-0	Plate, Bellows Overtravel	1
9	586-0921-3	Frame, Main	1
10	591-0127-0	Bushing, Guard Mount Stand Off	1
11A	591-0137-0	Spade, Left	1
11B	591-0137-1	Spade, Right (Not Shown)	1
12	591-0126-0	Bracket, Levelwind Chain Guard	1
13	586-0753-4	Guard, Levelwind Chain	1
14A	591-0119-0	Spindle, Left	1
14B	591-0120-0	Spindle, Right (Not Shown)	1
15	586-0229-0	Wheel & Tire , 8 x 4.8 x 4 -1B,2PL	2
16	597-0133-1	Mount, Operator Man - WRB2	1
17	502-0022-0	Housing, Operator Man.- 370101 &Up	1

## Water Motor & Plumbing



Water Motor & Plumbing				
No.	Part Number	Description		Qty.
1a	586-0839-7	Entry Fitting		1
1b	586-0991-1	O-Ring 1-5/8 X1-1/4 X3/16 (not shown)		1
2	591-0142-0	Filter, 1/8 x 1/4 Bush (B-110)		1
3	525-0898-1	Nppl, Close BR 1/8		2
4	586-0674-2	Gauge, Press		1
5	525-4915-1	FTG, TB 90 1/4 MNPTX 1/4 Tube		1
6	586-0756-0	Valve, 1/4 Ball		1
7	525-4917-0	FTG ST 1/8 NPT x 1/4 OD Tube		1
8	597-0210-1	Elbow with Threaded Hole		1
9	525-4915-0	Elbow, 1/8 NPT x 1/4 OD Tubing		2
10	525-1376-1	Nppl BR 1.4 x 1-1/2		1
11	586-0988-0	Adptr, Union 4FX4UFS 1/4		1
12	586-0978-4	Valve, Needle 1/4"		1
13	525-3225-0	Cock, Drain BR 1/8		1
14	525-4784-2	Bshng, Rdcng BR 1/4" x 1/8"		3
15	525-3214-1	Nppl, 1/4" Close		3

## Water Motor & Plumbing



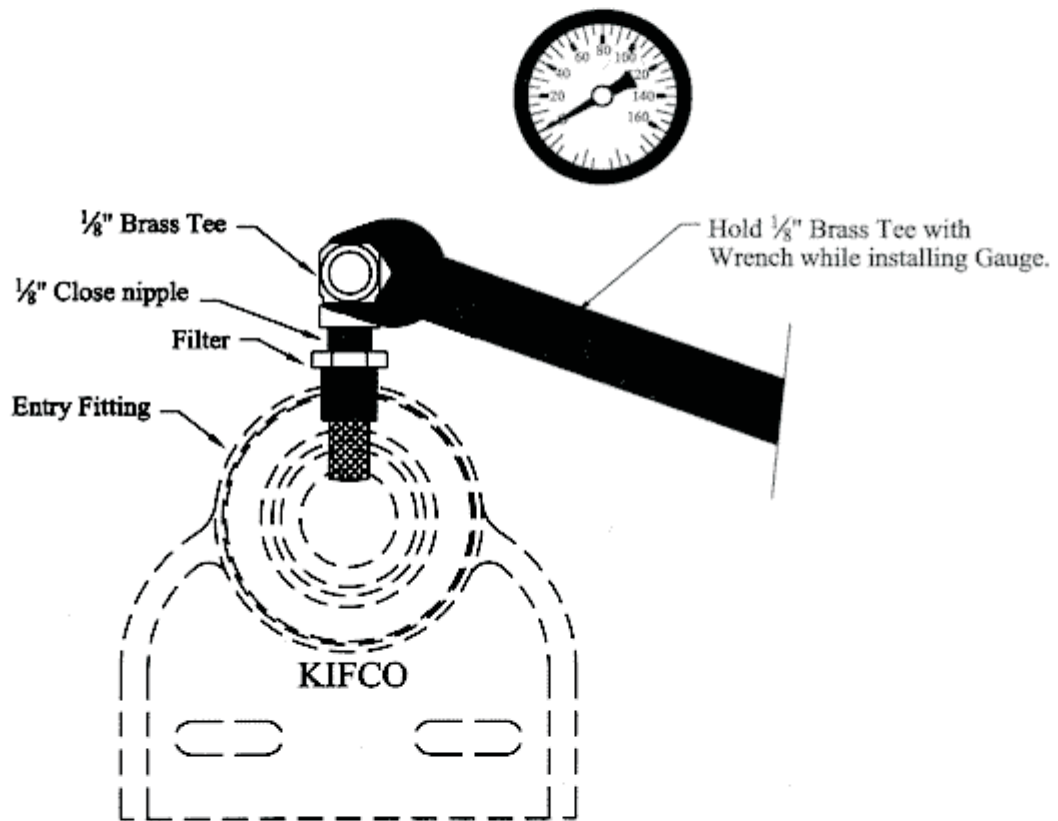
<b>Water Motor &amp; Plumbing</b>				
16	525-0263-2	Tee, 1/4" Brass		2
17	525-4915-2	FTG, TB 90 1/4 MNPTX 5/16 Tube		1
19	586-0978-6	Valve, Humph N980 N.O. x 50		1
21	252-4939-0	Tube, Synflex 1/4"	Ft.	4
22	252-4939-2	Tube, Synflex 5/16"	Ft.	1
23	525-4915-3	FTG., TB STG 1/4MNPT x 5/16" Tubing		2
25	591-0139-1	Plate, Bellows Overtravel		1
26	594-0153-0	Valve, w/Spool, Stud, and Nuts		1
29	586-0794-1	Bellows, 1M-1A Fstone		1
30	586-0722-0	Nipple, King Comp 1" (B-110)		1
31	586-0801-2	Hose, 1.0 SNP Tght Type 114 (B-110)	Ft.	10
32	586-0762-0	CMLK, C FE 1 x 1 Barb (B-110)		1
33	587-0244-0	Gasket, Filter (B-100)		1
34	587-0246-1	Adptr, 3/4 Pipe Garden Hose (B-100)		1
35	525-0161-1	Bshng, Rdcng Flush BIP 1" x 3/4"		1
36	586-0987-0	CMLK, FE 1 x 1 Barb (B-110)		1
37	030-1829-8	Super Clamp 26-28 (B-110)		2
41	591-0096-1	Plate, Valve		1
42	586-0869-0	Plate, Valve Cycle		1
43	586-0784-5	Plate, Bellows B-110		1
44	500-0002-3	Hi Lo Valve		1
45	525-4917-2	FTG,TB ST 1/4MNPTX1/4TUBE		1

## Gauge

### B-100/110 Gauge

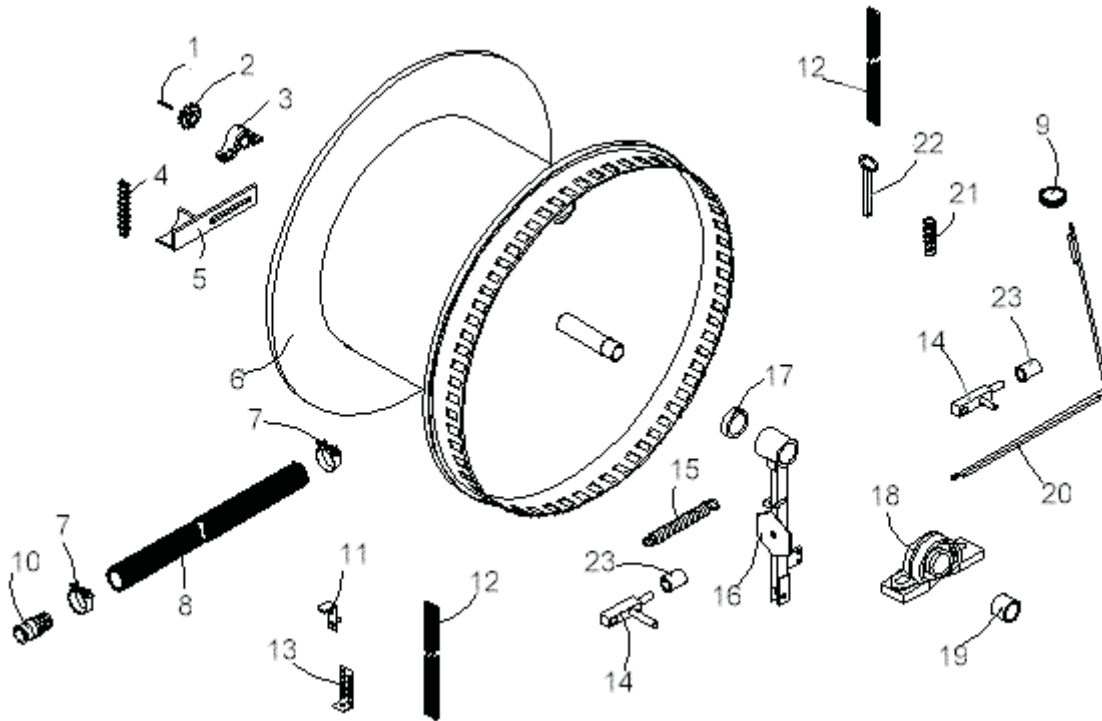
#### -CAUTION-

When installing pressure gauge, support the tee to which the gauge is to be attached with a wrench, to avoid damage to the brass filter fittings below.



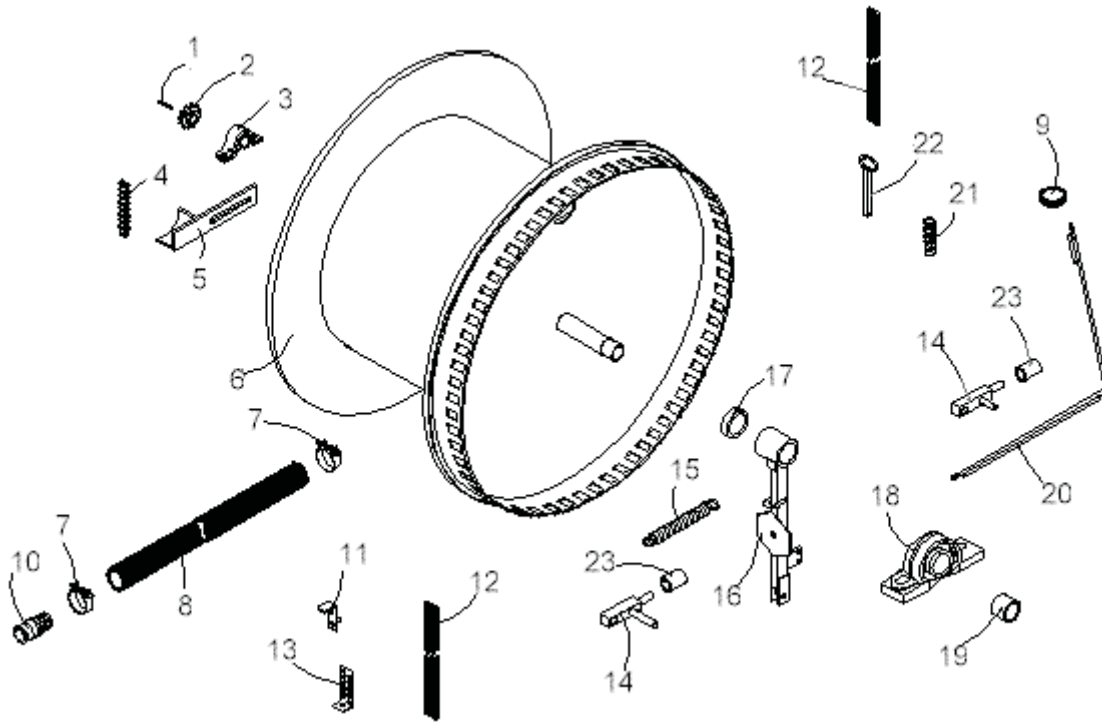
193-0126-0

## Spool & Drive Assembly



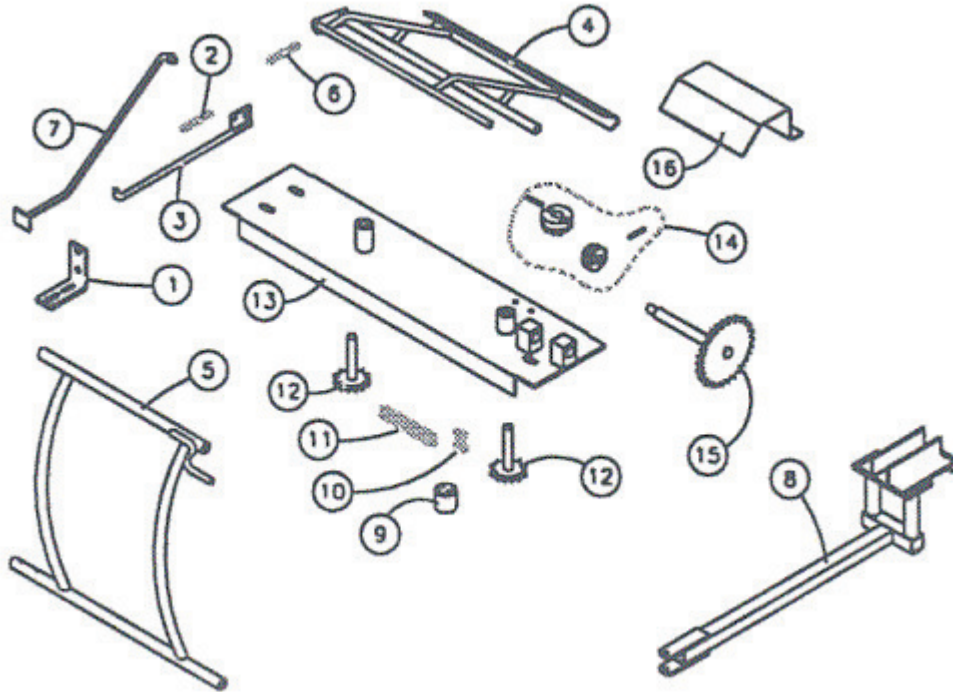
Spool & Drive Assembly				
No.	Part Number	Description		Qty.
1	563-4851-0	Key, 3/16 x 3/16 x 1		1
2	880-4932-3	Sprkt, 40 B 8 - 1/2 Bore		1
3	586-0983-2	Brng, Pllw Blck 3/4"		1
4	875-4845-0	Chain #40	Ft.	3.25
5	591-0141-0	Idler, Levelwind Chain		1
6	598-0116-0	Spool		1
7A	030-1908-0	Super Clamp, 31-34 (B-110)		2
7B	030-1905-5	Super Clamp, 24-27 (B-100)		2
8A	584-0179-5	TUBE, PE 33MM 1.1 x 160 Ft (B-110)		1
8B	504-0547-0	TUBE, PE 33MM1.1X280FT (B-110)		1
8C	584-0179-6	TUBE, PE 27MM X0.89 x 220 Ft (B-100)		1
8D	599-0089-5	TUBE, PE 27MM X0.89 X 280FT(B-100)		1
9	591-0156-0	Knob, Pull		1
10	586-0722-0	Nipple, King Comp 1"		1
11	591-0095-0	Tab, Brake		1
12a	587-0167-0	Belting, Neop 5 Ply 1"	Ft.	5.2
12b	990-7103-0	Kit, Brake update B100/110 (stainless steel)		1
13	591-0094-0	Brkt, Brake		1
14	586-0748-1	Pawl, Drive		2

## Spool & Drive Assembly



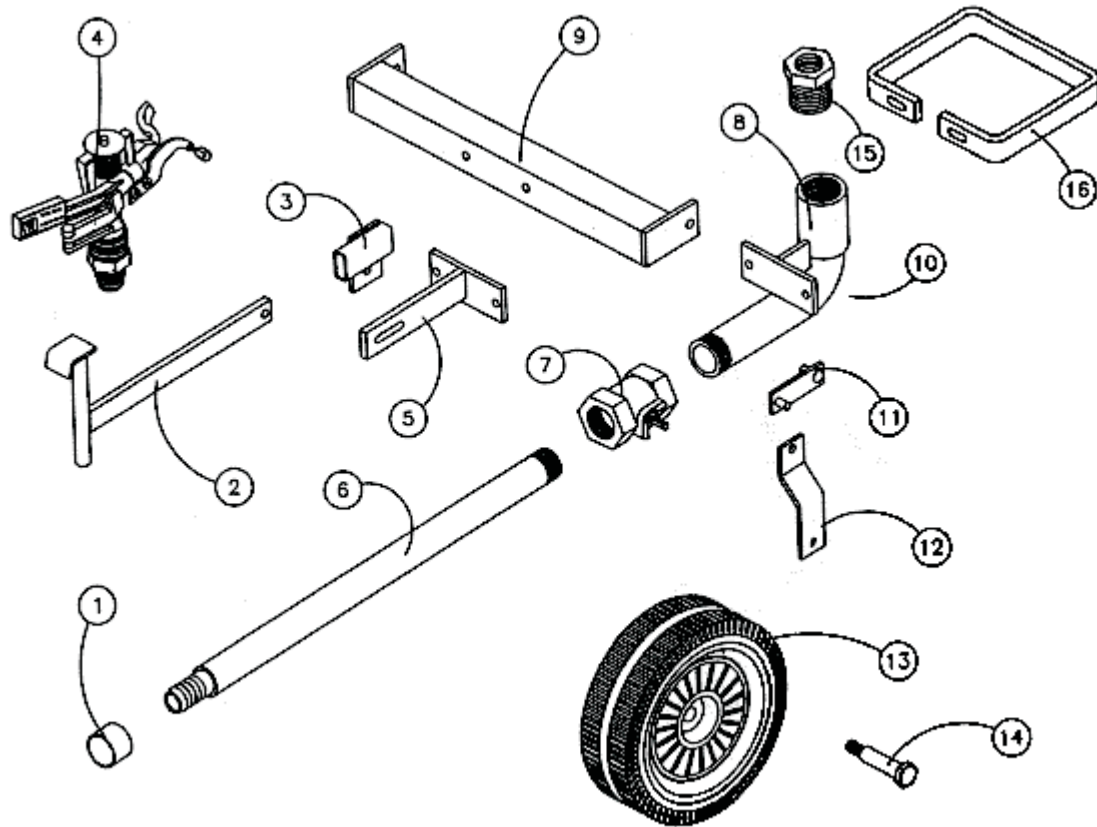
15	450-4858-3	Spring, Tnsn 7/8 x 3.6		1
16	586-0894-2	Arm, Bellows		1
17	586-0993-2	Collar, Set 1-1/4		1
18	586-0983-1	Brng, Pllw Blck 1-1/4		1
19	588-0167-4	Sleeve, SS B-100 / B-100		1
20	591-0132-0	Rod, Pawl Hold Out		1
21	450-4858-0	Spring		1
22	587-0162-2	Tensioner Brake		1
23		Hose, Vinyl Clear 3/8" x 1/16" Wall (2" Each)	Ft.	.3

### Levelwind Assembly



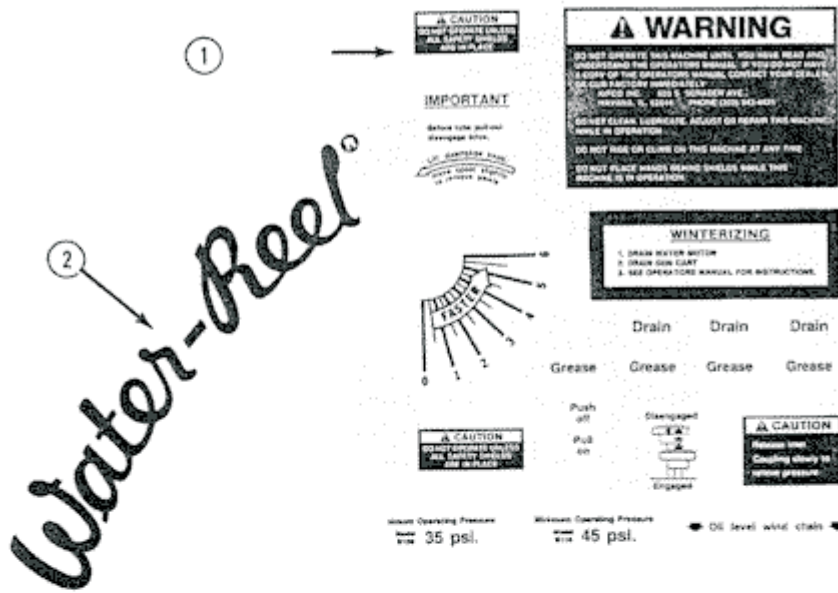
Levelwind Assembly				
No.	Part Number	Description		Qty.
1	591-0130-0	Brkt, Tube Rider Spring		1
2	450-3536-0	Spring		1
3	591-0131-0	Rod, Tube Rider Spring		1
4A	593-0256-0	Bar, Shut Off up to S/N 320,000		1
4B	593-0256-1	Bar, Shut Off S/N 330,000 and above		1
5	587-0142-4	Tube Rider		1
6	587-0248-0	Spring		1
7A	586-0832-6	Rod, Shut Off up to S/N 320,000		1
7B	586-0832-7	Rod, Shut Off S/N 330, 000 and above		1
8	586-0887-3	Arm, Levelwind		1
9	586-0876-0	Slug, Levelwind		1
10	586-0972-0	Link, #40 Double Roller Chain Repair		1
11	875-4845-0	Chain, #40 (52 Rollers)	Ft.	2.2
12	586-0665-0	Shaft & Sprkt, Lvlwind Idler		2
13a	593-0257-0	Frame, Levelwind		1
13b	593-0257-9	Frame, Assm. item #13,12,11,10,9,14,15c		1
14	523-5744-0	Gear Group		1
15A	880-4929-7	Sprkt, 40B26 5/8 Bore (B-110)		1
15B	880-4929-6	Sprkt, 40B32 5/8 Bore (B-100)		1
15C	593-0095-0	Shaft, Input		1
16	586-0808-0	Guard, Gear		1

## Sprinkler Cart Assembly



Sprinkler Cart Assembly			
No.	Part Number	Description	Qty.
1A	592-0332-0	Sleeve B110	1
1B	590-0194-0	Sleeve B100	1
2	592-0336-0	Shut-Off Arm	1
3	591-0124-0	Slide, Shut Off Rod	1
4A	588-0353-0	Sprnkler, P35 W/Nozzles (B-100)	1
4B	588-0354-0	Sprnkler, P65 W/Nozzles (B-110)	1
5	591-0121-0	Mount, Shut Off Rod SLide	1
6A	592-0331-0	Nipple (B110)	1
6B	592-0331-1	Nipple (B100)	1
7	586-0712-5	Valve, 1" Butterfly	1
8	587-0021-5	Body	1
9	592-0445-0	Axle	1
10	525-3867-1	Plug, BR 1/8 (Not Shown)	1
11	591-0112-0	Shut Off Rod Link	1
12	588-0504-7	Handle, Valve 1" Butterball	1
13	587-0000-2	Wheel, 7 x 150 1-3/8 x 1/2 Bore	2
14	587-0001-1	Bolt, Shoulder 1-9/16 Long	2
15	525-0161-0	Bush. 3/4 to 1 Pipe (B-100)	1
16	592-0117-0	Handle	1
	591-0146-0	Guncart Complete B100/B110	

## Decal Group



Minimum Operating Pressure  
**45 psi.**

No.	Part Number	Description	Qty.
1	587-0014-2	Kit, B100/B110 Decal	1
2	586-0743-1	Decal, Water-Reel	8
3	586-0821-0	Decal, American Made	1
4	590-0112-0	Decal, Min. Operating Pressure	2
5	599-0281-0	Decal, Performance Guide 100 (Not Shown)	1
6	599-0282-0	Decal, Performance Guide 110 (Not Shown)	1