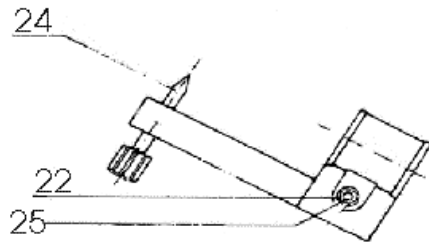
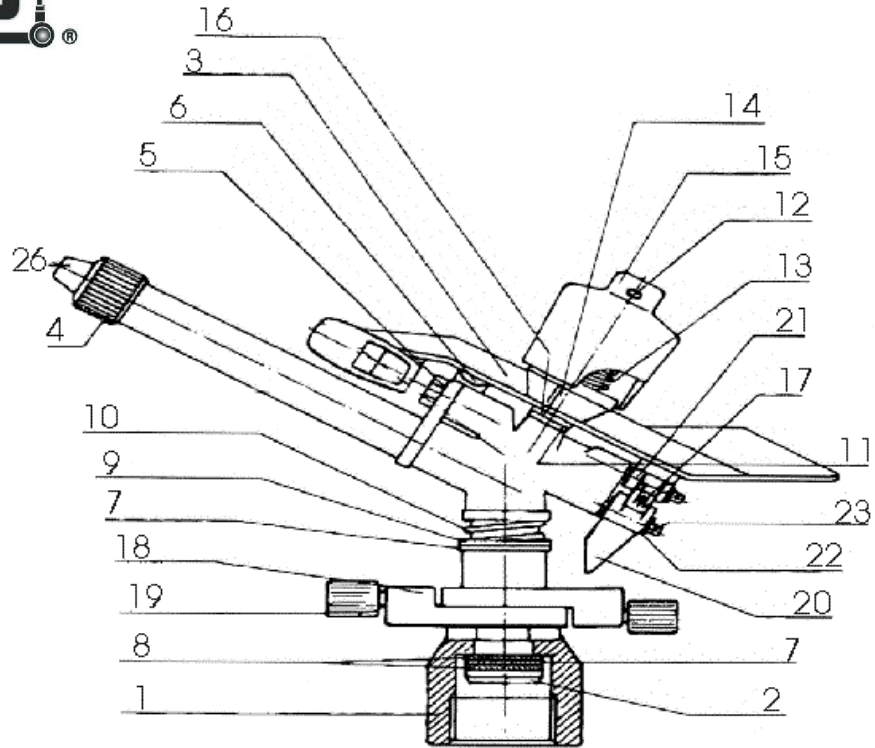


# KOMET 163



No.	Part Number	Description
1	077-6002-0	Base M
2	077-6005-0	Nipple
3	077-6012-0	Drive Arm
4	077-6015-0	Nozzle Cap
5	077-6019-0	Drive Nozzle
6	077-6020-0	Stopper
7	077-6024-0	Washer TF
8	077-6027-0	Washer NP
9	077-6028-0	Upper Seal
10	077-6030-0	Pressure Spring
11	077-6032-0	Washer
12	077-6038-0	Pin
13	077-6039-0	Lever Spring
14	077-6040-0	Spring Plate
15	077-6041-0	Spring Cap
16	077-6049-0	Lever Bushing
17		Sector Spring
18	077-6052-0	Sector Ring
19	077-6053-0	Sector Screw
20		Sector Lever
21	077-6055-0	Sector Stop (has #17 & #20 with this)
22	077-6057-0	Washer with Blocking Screw
23	077-6058-0	Pin
24	077-6063-0	Screw Jet Breaker
25	077-6066-0	Blocking Screw
26	501-0092-0	Nozzle, Komet 163