

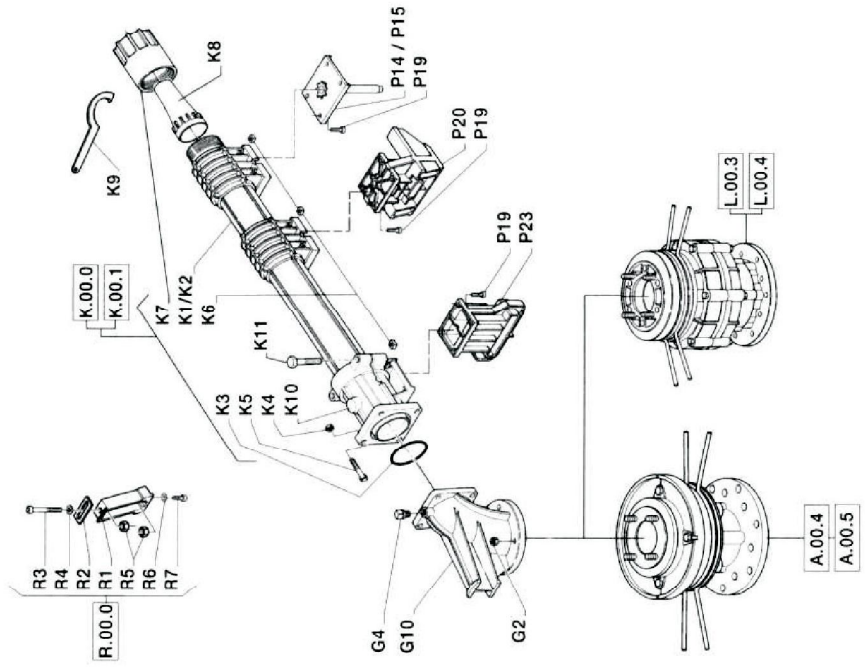
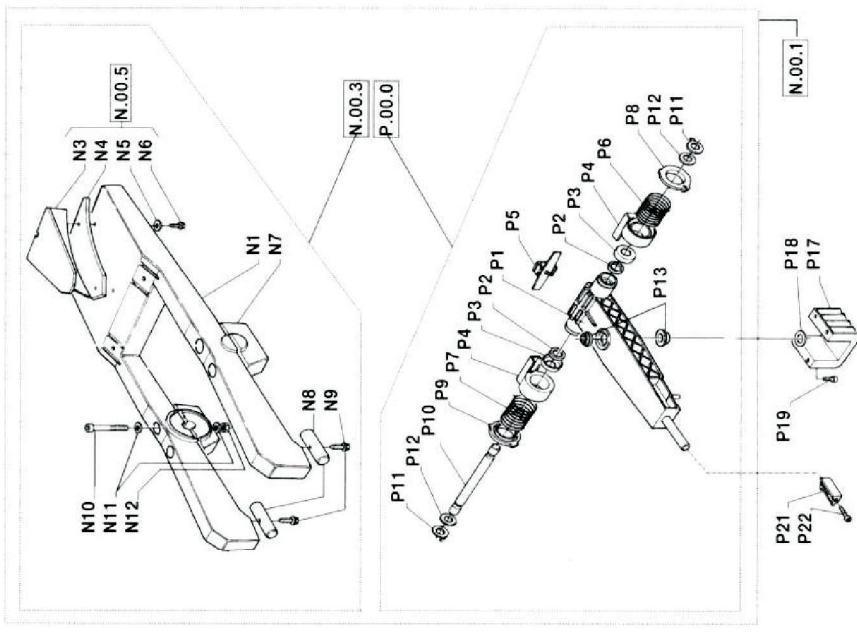
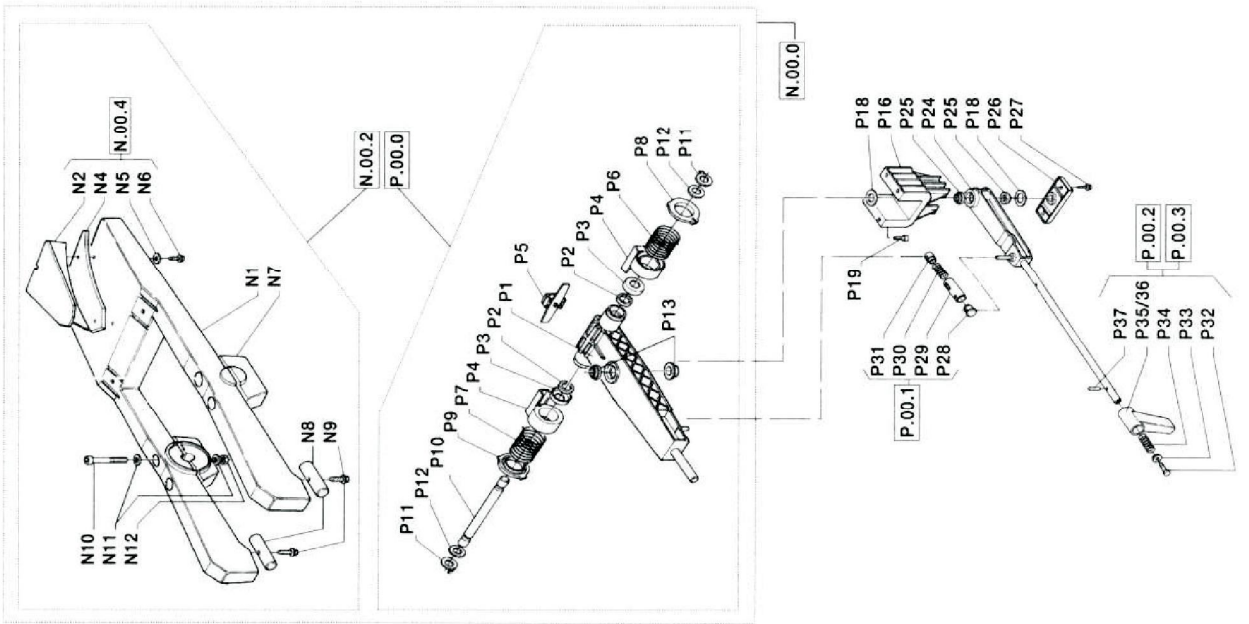


# KOMET TWIN 160 PRO

# KOMET TWIN 202 PRO

PC = Part circle

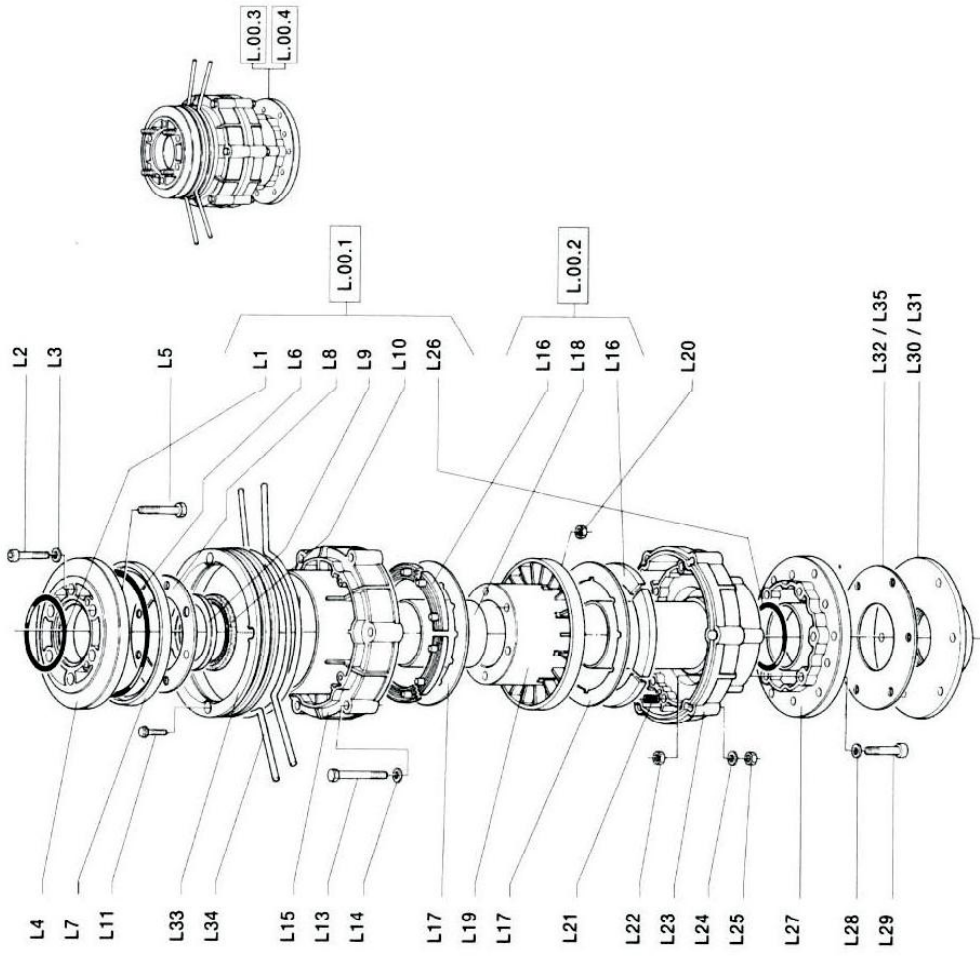
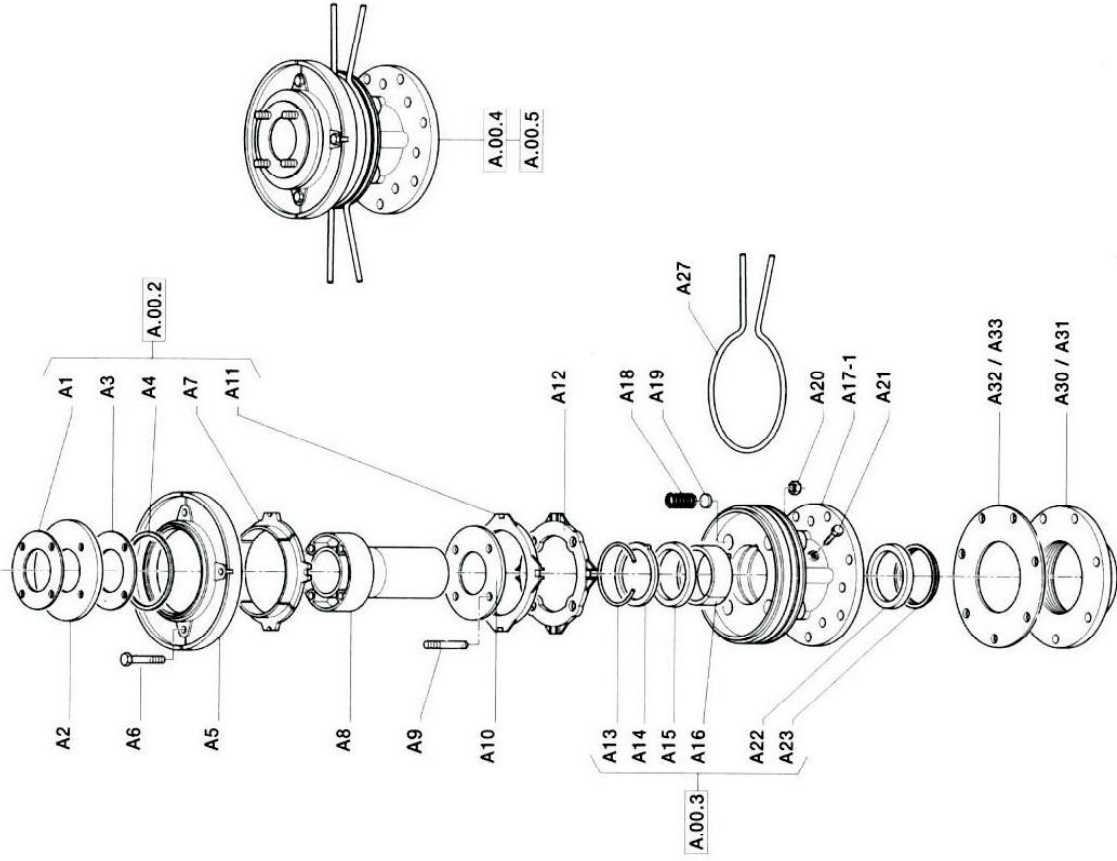
FC = Full circle





# KOMET TWIN 160 PRO

# KOMET TWIN 202 PRO





# KOMET TWIN 160 PRO

# KOMET TWIN 202 PRO

No.	101 Part Number	140 Part Number	Description	Qty.
A.00-4			Assembly - Bearing PC	1
A.00-5			Assembly - Bearing FC	1
A.00.2			Assembly - Brake disks	1
A.00.3			Assembly - Bearing - Seals	1
A.1			Elbow gasket	1
A.2			Anti-dust cover	1
A.3			Flange gasket	1
A.4			Anti-dust ring	1
A.5			Brake cap	1
A.6			Bolt	4
A.7			Brake lining	1
A.8			Braking cylinder	1
A.9			Bolt	4
A.10			Brake flange	1
A.11			Friction disc	1
A.12			Friction pressure plate	1
A.13			Snap ring	1
A.14			Retaining ring	1
A.15			Main seal	1
A.16			Bearing	1
A.17-1			Housing	1
A.18			Friction spring	4
A.19			Pad	4
A.20			Nut	4
A.21			Grease fitting plug	1
A.22			Main seal	1
A.23			Anti-sand ring	1
A.27			Trip stop ring	2
A.30			Adaptor / Thread 3" NPTF	1
A.31			Adaptor / Thread 3" BSPF	1
A.32			Gasket	1
A.33			Gasket rubber	1

L.00.3			Assembly - Bearing PC	1
L.00.4			Assembly - Bearing FC	1
L.00.1			Kit - Seal / Gaskets	1
L.00.2			Kit - Brake	1
L.1			O-ring	1
L.2			Bolt	6
L.3			Washer	6
L.4			Cover	1
L.5			Bolt	4
L.6			O-ring	1
L.7			Retainer ring	1
L.8			Gasket	1

No.	101 Part Number	140 Part Number	Description	Qty.
L.9			Anti Sand Ring	1
L.10			Main seal	1
L.11			Screw	4
L.13			Bolt	6
L.14			Washer	6
L.15			Bearing housing upper	1
L.16			Brake lining	8
L.17			Brake disk	2
L.18			Bushing	1
L.19			Brake cylinder	1
L.20			Nut	6
L.21			Spring	12
L.22			Nut	6
L.23			Bearing housing lower	1
L.24			Washer	6
L.25			Nut	6
L.26			O-ring	1
L.27			Flange	1
L.28			Washer	6
L.29			Bolt	6
L.30			Adaptor / Thread 3" NPTF	1
L.31			Adaptor / Thread 3" BSPF	1
L.32			Gasket	1
L.33			Ring for trip stop ring	1
L.34			Trip stop ring	2
L.35			Gasket rubber	1

G.10			Elbow 24 deg.	1
G.2			Nut	4
G.4			Plug	1

K.00.0			Assembly - Barrel	1
K.00.1			Assembly - Barrel Wastewater	1
K.1			Barrel	1
K.2			Barrel - wastewater	1
K.3			O-ring	1
K.4			Nut	4
K.5			Bolt	4
K.6			Square nut	12
K.7			Nozzle holder	1
K.8			Nozzle	1
K.9			Nozzle wrench	1
K.10			Flange	1
K.11			Bolt	2



# KOMET TWIN 160 PRO

# KOMET TWIN 202 PRO

No.	101 Part Number	140 Part Number	Description	Qty.
N.00.0			Assembly - Drive arm / Lever PC	1
N.00.1			Assembly - Drive arm / Lever FC	1
N.00.2			Assembly - Drive arm PC	1
N.00.3			Assembly Drive arm FC	1
N.1			Drive arm	1
N.00.4			Assembly - Deflector PC	1
N.00.5			Assembly - Deflector FC	1
N.2			Deflector PC	1
N.3			Deflector FC	1
N.4			Plate	1
N.5			Washer	3
N.6			Screw	3
N.7			Bracket	2
N.8			Counterweight	2
N.9			Screw	2
N.10			Bolt	4
N.11			Washer	8
N.12			Nut	4

P.00.0			Assembly - Shift lever upper	1
P.1			Shift lever upper	1
P.2			Seal	2
P.3			Cap	2
P.4			Spring housing internal	2
P.5			Speed shift lever	1
P.6			Spring drive arm Rx	1
P.7			Spring drive arm Lx (white)	1
P.8			Spring housing external Rx	1
P.9			Spring housing external Lx	1
P.10			Shaft for drive arm	1
P.11			Washer with pin	2
P.12			Washer	2
P.13			Seal	2
P.14			Base with shaft PC	1
P.15			Base with shaft FC	1
P.16			Housing for PC	1
P.17			Housing for FC	1
P.18			Washer	2
P.19			Bolt	12
P.20			Stopper for drive arm	1
P.21			Wedge FC	1
P.22			Screw	1
P.23			Stopper for rod	1
P.24			Shift lever lower	1
P.25			Seal	2

No.	101 Part Number	140 Part Number	Description	Qty.
P.26			Cover	1
P.27			Screw	2
P.00.1			Assembly - Trip housing	1
P.28			Stopper	1
P.29			Trip spring housing	1
P.30			Trip spring	1
P.31			Guide	1
P.00.2			Assembly - Trip lever 24 deg.	1
P.00.3			Assembly - Trip lever VA	1
P.32			Bolt	1
P.33			Washer	1
P.34			Spring	1
P.35			Trip lever 24 deg.	1
P.36			Trip lever VA	1
P.37			Pin	1

R.00.0			Assembly - Jet breaker Ro/Flap	1
R.1			Support	1
R.2			Blade Ro/La	1
R.3			Bolt	1
R.4			Washer	1
R.5			Square nut	2
R.6			Washer	1
R.7			Bolt	1