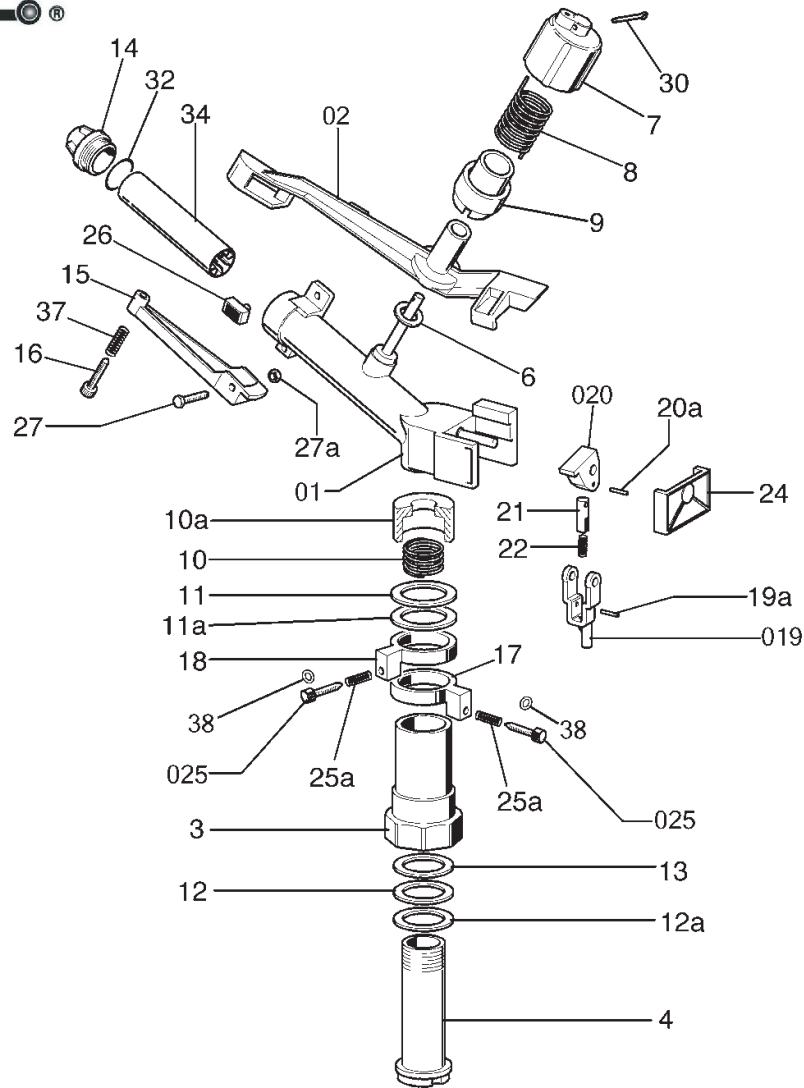
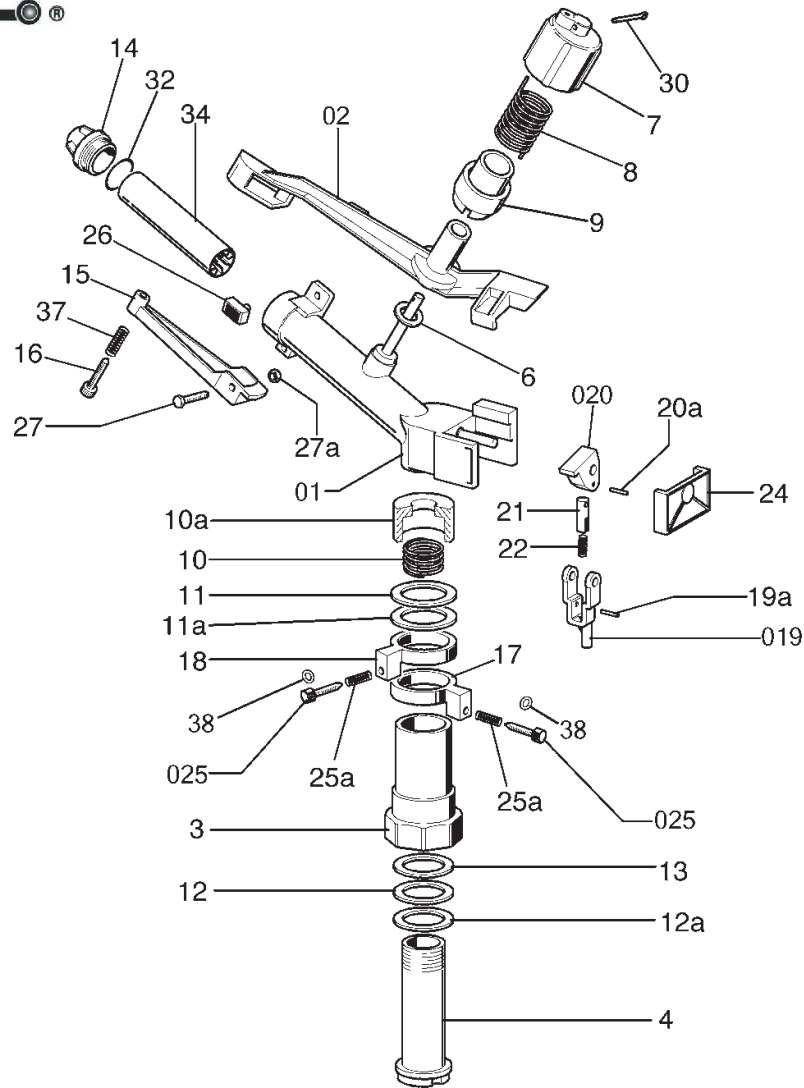


SIME K1



No.	Part Number	Description
1	075-3034-1	Body
2	075-3034-2	Arm
3	075-3034-4	External Body
4	075-3034-5	Internal Body
6	075-3034-7	Washer 22mm x 9.8mm x 2mm
7	075-3034-8	Cap
8	075-3034-9	Arm Spring
9	075-3035-0	Door Spring
10	075-3030-0	Spring
10A	075-3035-1	Housing
11	075-3035-2	Spring Washer
11A	075-3035-4	Washer 37.5mm x 30.2mm x 2mm
12	075-3035-4	Washer 37.5mm x 30.2mm x 2mm
12A	075-3035-5	Washer 37.5mm x 30.2mm x 1.5mm
13	075-3035-6	Washer 37.5mm x 30.2mm x 1.5mm
14A	501-0081-6	NZZL, 7MM (0.28) - SIME K1
14B	501-0081-5	NZZL, 8MM (0.31) - SIME K1
14C	501-0081-4	NZZL, 9MM (0.35) - SIME K1
14D	501-0081-3	NZZL, 10MM (0.39) - SIME K1
14E	501-0081-2	NZZL, 12MM (0.47) - SIME K1

SIME K1



No.	Part Number	Description
15	075-3035-8	Arm
16	075-3035-9	Screw
17	075-3036-0	Ring
18	075-3036-0	Ring
19	075-3036-2	Lever Release
19a	075-3036-3	Pin 2mm x 16.5mm
20	075-3036-4	Lever clapper
20A	075-3032-2	Pin 2mm x 14.5mm
21	075-3036-5	Lever guard
22	075-3036-6	Release Spring
24	075-3036-8	Cover
25	075-3049-8	Screw
25A	075-3032-5	Spring
26	075-3036-9	Tablet
27	075-3037-0	Screw
27A	075-3032-1	Dice block
30	075-3037-1	Pin 3mm x 25mm
32	075-3037-2	Packing Dia. 26mm
34	075-3037-3	Barrel
37	075-3037-4	Spring