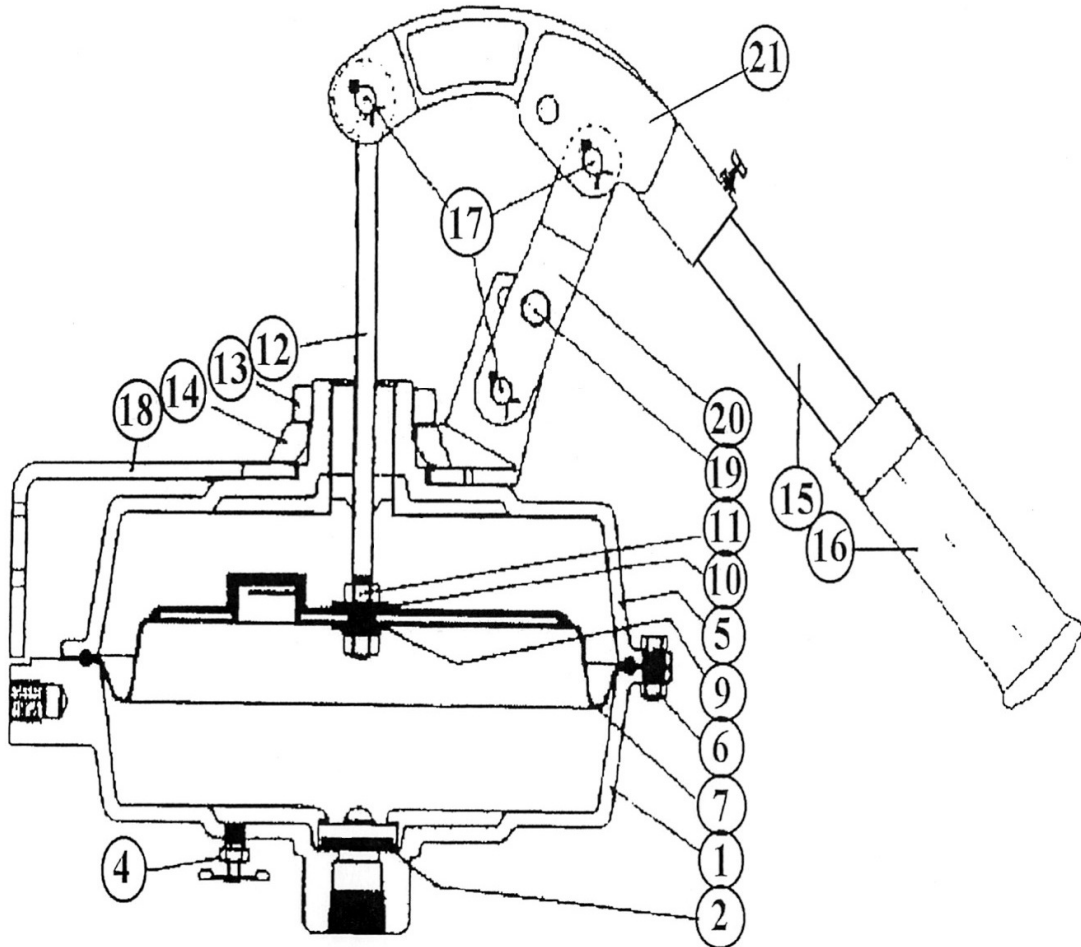


#7 & #9 HAND PUMP PRIMERS



#7 PRIMER

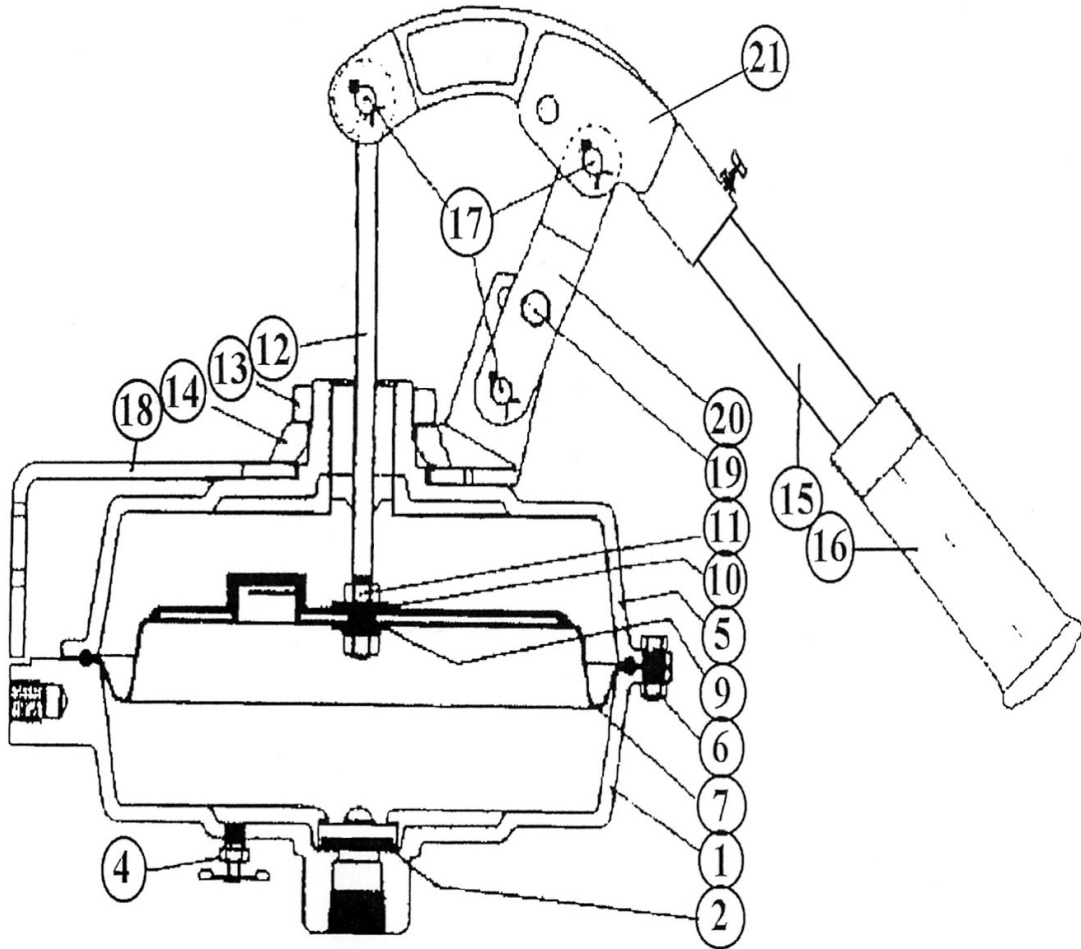


No.	Part Number	Description	Qty.
1	58605560	HOUSING,LOWER #7	1
2	58605570	VALVE,#7 RUBBER CHECK	1
4	52532250	COCK,DRAIN BR 1/8	1
5	58605590	HOUSING,UPPER #7	1
6		MACH, SCREW & HEXNUT	4
7	58605610	DIAPHRAGM,C-106 FOR #7	1
9		LOCK WASHER 3/8"	1
10		FLAT WASHER 3/8"	2
11		HEX NUT 3/8-16	2
12	58605650	ROD,CONNECTING #7 A-127	1
13	58605660	NUT,LOCK #7	1
14	58605670	BRKT,FULCRUM #7 A-1	1
15	59800360	HANDLE PIPE	1
16	59800370	RUBBER GRIP	1
17	59800340	PIN,3/8 X 1-3/4	2
18	58605710	BRKT,MOUNTING	1
19		BOLT & LOCK NUT 1/4-20 NC X 7/8"	1
20	59800330	LINK,FULCRUM	2
21	58605670	BRKT,FULCRUM #7 A-1	1



HAND PUMP PRIMERS

#9 PRIMER



No.	Part Number	Description	Qty.
1	59800390	HOUSING,LOWER #9	1
2	58605570	VALVE,#7 RUBBER CHECK	1
4	52532250	COCK,DRAIN BR 1/8	1
5	59800320	HOUSING,UPPER #9	1
6		MACH, SCREW & HEXNUT	4
7	58605611	DIAPHRAGM,#9 PRMR B-61	1
9		LOCK WASHER 3/8"	1
10		FLAT WASHER 3/8"	2
11		HEX NUT 3/8-16	2
12	58605650	ROD,CONNECTING #7 A-127	1
13	58605660	NUT,LOCK #7	1
14	58605670	BRKT,FULCRUM #7 A-1	1
15	59800360	HANDLE PIPE	1
16	59800370	RUBBER GRIP	1
17	59800340	PIN,3/8 X 1-3/4	2
18	58605710	BRKT,MOUNTING	1
19		BOLT & LOCK NUT 1/4-20 NC X 7/8"	1
20	59800330	LINK,FULCRUM	2
21	58605670	BRKT,FULCRUM #7 A-1	1