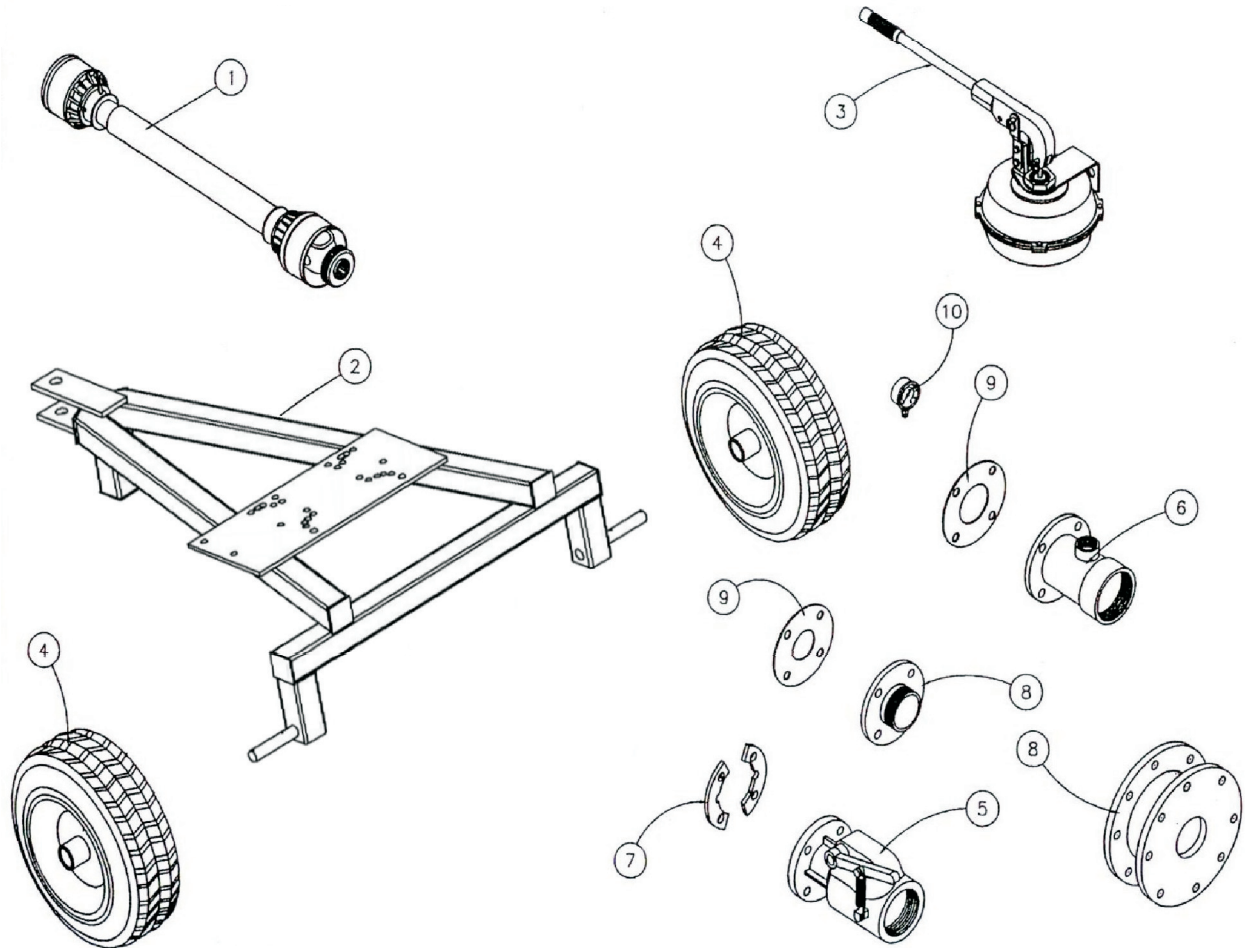




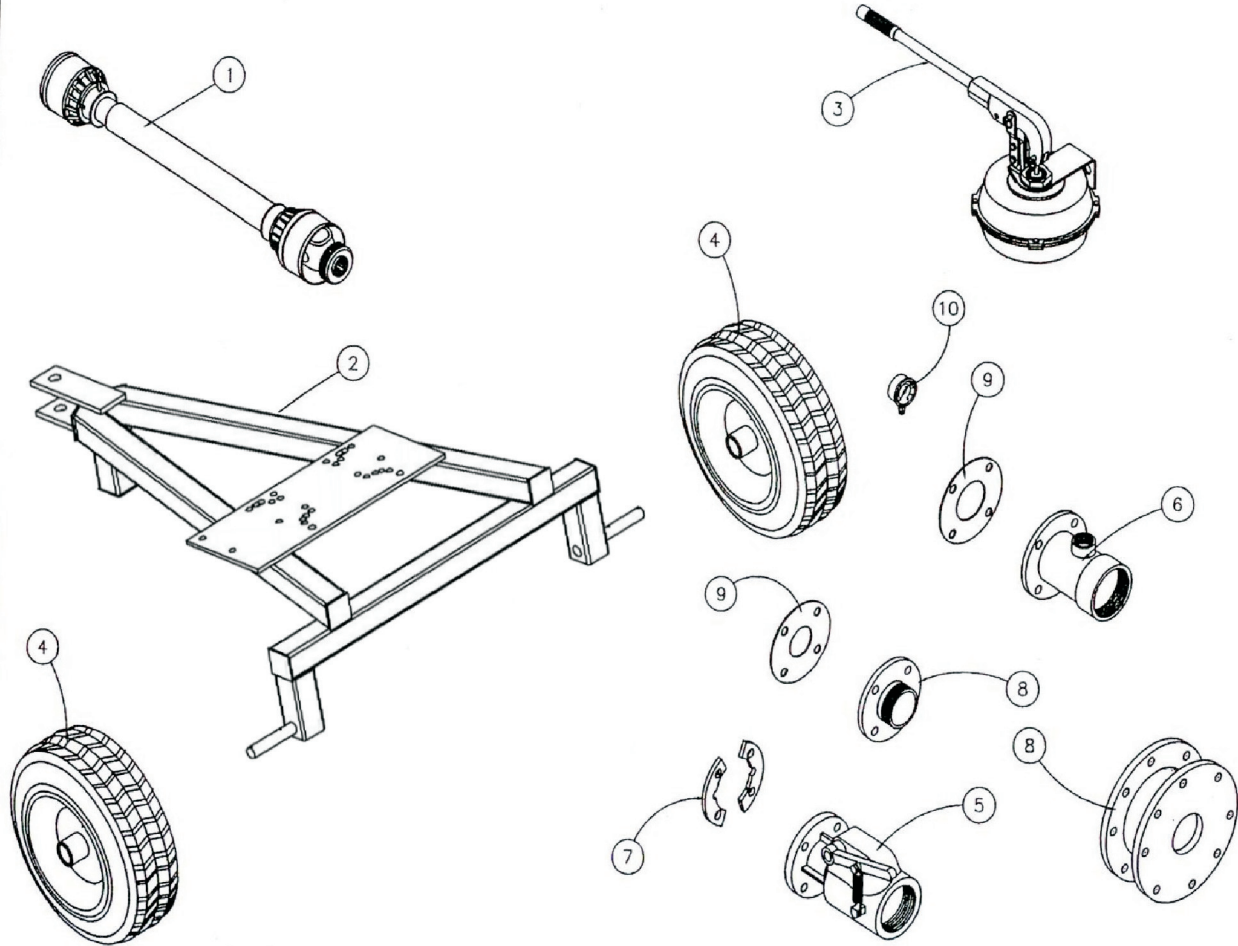
CAPRARI PUMP CART & FITTINGS



No.	Part Number	Description	Qty.
1A	586-0227-0	SHAFT, PTO 1-3/8" 6X SAME #6, D02/40,D2/40,D01/125A,D01/80, D1/50,D2/65,D3/65,D2/80,D03/100	1
1B	586-0673-1	SHAFT, PTO 1-3/4 6X1.3 21 #8, DMR83,D03/101	1
1C	586-0673-2	SHAFT, PTO 1-3/8 6XSAME #8, D04/80, DMR80 (540RPM)	1
1D	586-0228-0	SHAFT, PTO 1-3/8" 6X 1.3 21#8, DMR80 (1000RPM)	1
2	593-0299-5	PUMP CART BODY STD	1
3A	586-0240-0	KIT, PRIMER PUMP #7 ASM, includes 1.5x1.25 reducing coupling and 1-1/4 x 2 nipple	1
3B	586-0726-0	PUMP, PRIMING #9, D01/125	1
4	586-0229-0	WHEEL&TIRE,480/400X8 1B 2P	2
5A	586-0250-0	VALVE, CHECK FLWMTC 2X2	1
5B	595-0143-1	VALVE,CHECK W/1"BOLT HOLES (MONARCH)	1
5C	586-0687-0	VALVE, PRIMING BERKLEY 4X4	1
5D	586-0725-0	VALVE, PRIMING BERKLEY 5X5	1
6A	586-0261-0	FITTING,SUCTION 2" D02/40,D2/40,D1/50	1
6B	586-0261-1	FITTING,SUCTION 3" D2/50, D3/50	1
6C	586-0261-2	FITTING,SUCTION 4" D2/65, D3/65	1
6D	586-0261-3	FITTING,SUCTION 5" D01/80, D2/80, DMR80, DMR83	1
6E	586-0261-9	FITTING,SUCTION 5" D04/80	1
6F	586-0261-4	FITTING,SUCTION 6" D03/100, D3/101	1
6G	586-0261-6	FITTING,SUCTION 8" D01/125	1
7A	595-0219-1	PLATE,FLANGE 65MM PLATED, D2/65, D3/65	1
7B	595-0220-1	PLATE,FLANGE 80MM, D04/80, D01/80, D2/80, DMR80, DMR83	1
8A	587-0176-0	FITTING,DISCH, D02/40, D240, D1/50	1
8B	587-0176-1	FITTING,DISCH, D2/50, D3/50	1
8C	587-0176-4	FITTING,DISCH 100MM, D03/100, D3/101	1
8D	587-0176-5	FITTING,DISCH 125MM, D01/125	1



CAPRARI PUMP CART & FITTINGS



No.	Part Number	Description	Qty.
9A	040-3360-0	GASKET,FLANGE 40MM GF40-146, No holes	1
9B	040-3360-1	GASKET,FLANGE 50MM GF50-146, No Holes	1
9C	040-3360-2	GASKET,FLANGE 65MM GF65-146, No Holes	1
9D	593-0180-0	GASKET, 65MM, 5.72 BCD, 4 Holes	1
9E	040-3360-3	GASKET,FLANGE 80MM GF80-146	1
9F	040-3360-4	GASKET,FLANGE 100MMGF100-146	1
9G	593-0181-0	GASKET, 7.10 BCD, 4 Holes	1
9H	593-0181-1	GASKET, 8.3 BCD, 4 Holes	1
9I	040-3360-5	GASKET, FLANGE 125MM GF125-146	1
9J	586-0724-3	GASKET, 7.5 BCD X 5" ID RUBBER, 8 Holes	1
9K	587-0701-1	GASKET 5" FULL FACE	1
10	586-0675-0	GAUGE, PRESS 0-300	1