



707 S. Schrader Ave.
P.O. Box 290
Havana, IL 62644 USA
Phone: 309.543.4425
Fax: 309.543.4945
E-mail:
parts@kifco.com

[[List of All Parts](#)
[Manuals](#)]

Water-Reel™ Irrigation

PARTS MANUAL

B-160 & B-180S

S/N 330,000-359,999

updated page 4 3/23/06 Rc

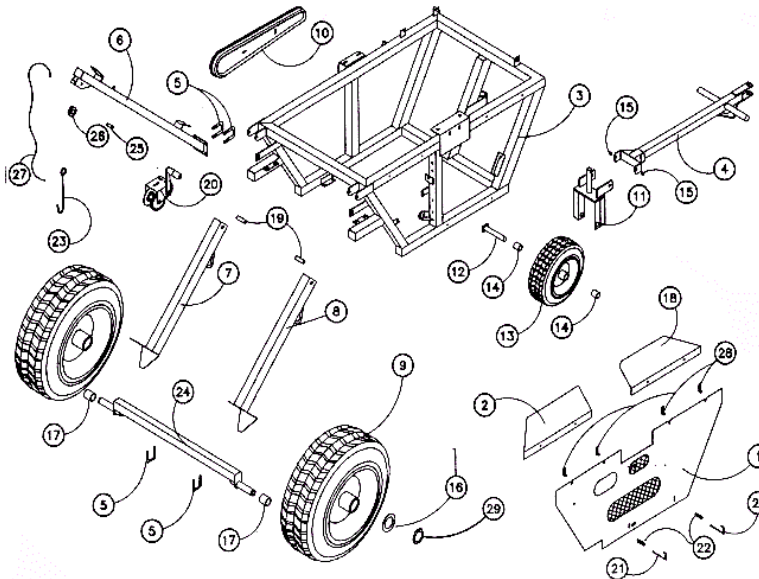
Assembly	Page
Frame and Wheel Assembly	2
Water Motor and Plumbing	4
Spool and Drive Assembly	6
Levelwind Assembly	8
Sprinkler Cart Assembly	10
Decal Group	12
Numerical Parts Listing	14
Sprinkler Repair Parts	

Notes:

For Parts That Are Described As "Left" Or "Right" The Water Inlet Side Of The Machine Is Considered The Right Side.

Items Such As Common Fasteners, Grease Fitting, And Other Small Parts Easy To Acquire Locally Are Not Listed.

Frame and Wheel Assembly - Page 2

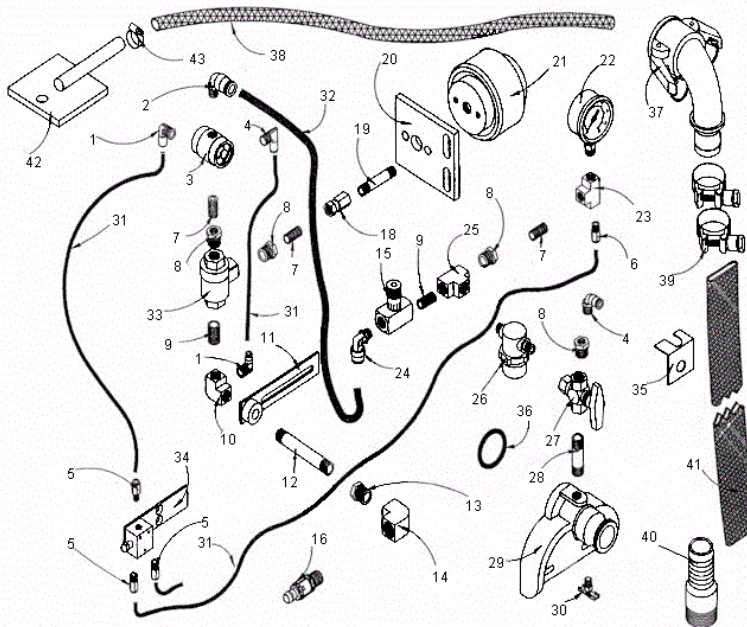


Page 3

Frame and Wheel Assembly			
No.	Part Number	Description	Qty.
1	586-0799-5	Shield, Side	1
2	588-0019-2	Shield, Front	1
3	586-0921-1	Frame	1
4	594-0529-2	Tongue	1
5	587-0040-1	U-Bolt, 3/8 x 2 x 2-3/4	4
6	586-0848-3	Hanger, Sprinkler Cart	1
7	586-0817-4	Leg, Left Stabilizer	1
8	586-0816-4	Leg, Right Stabilizer	1
9	586-0229-1	Wheel/Tire, 5.7/500 x 8B, 1.25 Bore 4 Ply	2

10	586-0753-1	Guard, Levelwind Chain		1
11	586-0766-1	Fork, Front Wheel		1
12	586-0899-1	Axle, Front		1
13	586-0229-0	WHL/Tire/BNG, 4.8/4.00-8		1
14	586-0844-1	Spacer		2
15	512-4847-0	Bushing, .40- x .56 x .32" Long		2
16	553-4879-0	Bushing, 1-7/8 x 1-1/4 x 14 Ga		2
17	587-0153-0	Bushing, 1-1/4 ID x 1/2" Long		2
18	588-0016-5	Shield, Rear		1
19	590-0216-0	Bushing, 3/4 x .4 x 2.3		2
20	400-4855-3	Winch, Fulton T-600		1
21A	590-0250-0	Hook, J		2
21B	561-0204-1	Pin, .0585" Hair (Not Shown)		2
22	450-4858-2	Spring, .50 OD x 2 x .47 WRL4CL		2
23	590-0280-0	Hook		1
24	586-0900-1	Axle		1
25	558-1873-0	Pin, Clevis 1/2 x 1-27/64 OAL		1
26	593-0334-0	Pulley, WRP 3/8" x 2 x 1/2" Bore UHM W P		1
27A	750-4844-6	Rope, Nylon 3/8"	Ft.	6
27B	593-0266-0	Sleeve, Ovel 3/8" Rope (Not Shown)		1
28	591-0021-0	Guard Nut		4
29	596-0256-1	Ring, Retaining 1-1/4 Shaft		4

Water Motor & Plumbing - Page 4

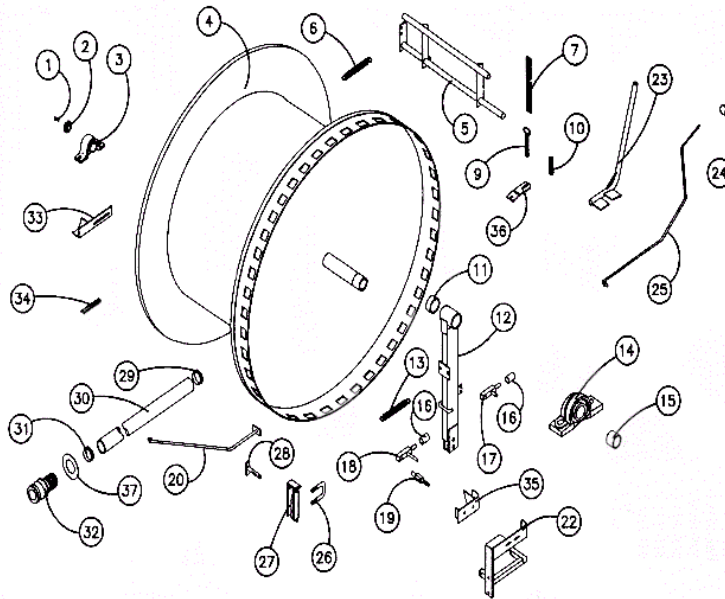


Page 5

Water Motor & Plumbing			
No.	Part Number	Description	Qty.
1	525-4915-0	FTG, TB 90 1/8MNPT x 1/4" Tube	2
2	525-4917-5	FTG, TB 90 1/4MNPT x 1/2" Tube	1
3	586-0978-6	Valve, Humphrey 250 N.O.	1
4	525-4915-1	FTG, TB 90 1/4MNPT x 1/4 Tube	2
5	525-4917-0	FTG, TB ST 1/8MNPT x 1/4 Tube	3
6	525-4917-2	FTG, TB ST 1/4MNPT x 1/4 Tube	1
7	525-3214-1	Nipple, 1/4 x Close Brass Pipe	3
8	525-0616-1	Bushing, 3/8 x 1/4 Brass Red	4
9	525-1393-1	Nipple Close 3/8"	2
10	586-0870-1	Elbow, 3/8 x 90 Deg. Brass (Drilled & Tap)	1
11	586-0868-4	Pipe Bracket	1
12	525-1395-5	Nipple, 3/8 x 4 Brass	1

13	525-0267-1	Bushing, 3/8 x 1/2 Brass Red		1
14	525-1344-1	Elbow, 1/2 x 90 Deg Brass Street		1
15	586-0978-5	Valve, 3/8" Needle		1
16A	586-0117-1	Bar, Hose 1/2 Male NPT x 1/2 Hose		1
16B	500-0003-0	Elbow, Male 3/8"		1
18	586-0988-0	Adptr Union 4F x 4F 1/4"		1
19	525-1397-2	Nipple, 1/4 x 2.5 Brass		1
20	586-0784-3	Plate, Bellows		1
21	586-0794-2	Bellows		1
22	586-0675-0	Gauge, 0-300 Water Pressure		1
23	525-0263-2	Tee, 1/4 Brass Pipe		1
24	525-4917-4	FTG, TB 90 3/8MNPT x 1/2" Tube		1
25	525-0263-1	Tee, 3/8 Brass Pipe		1
26	586-0989-3	Filter, Vik Lo PR 3/8 NPT 40 Mesh		1
27A	586-0757-1	Valve, 3 Way x 3/8 Brass		1
27B	590-0287-0	Handle for 586-0757-1 Valve		1
28	525-0264-1	Nipple, 3/8 x 3		1
29	586-0839-3	Fitting, Water Entry		1
30	525-3225-0	Valve, 1/8 Drain		1
31	252-4939-0	Tube 1/4 Nylon Control	Ft.	4
32	252-4939-3	Tube, 1/2" OD Nylon Control	Ft.	1
33	589-0068-0	Valve, Cam 3/8 Quick Exhaust		1
33	589-0068-9	Diaphragm for Quick Exhaust (Not Shown)		1
34	594-0153-0	Valve, W/spool, stud & nuts		1
35	590-0278-0	Plate, Valve Indicator		1
36	586-0991-2	O-Ring, 1-7/8 x 1-1/2 x 3/16		1
37A	586-0802-1	Coupler, 2 x 2 90 DEG Camlock CL Plastic		1
37B	589-0113-1	Gasket, 2"		1
38	587-0051-0	Discharge Hose		1
39	030-1915-1	Clamp, 55-59 Hose		2
40	586-0806-1	Nipple, 2" Plated King		1
41	586-0801-1	Hose IRR Supply 2"	Ft.	15
42	586-0922-0	Anchor, Discharge Hose		1
43	030-1652-4	Clamp, 12-22 Hose		2

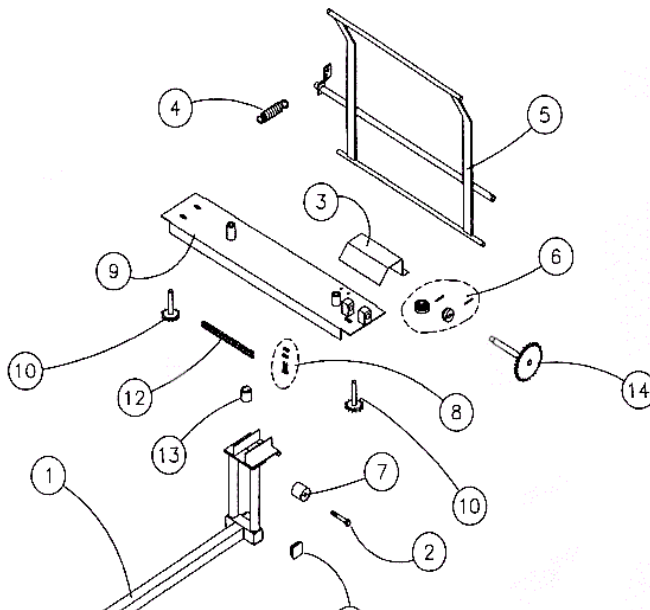
Spool and Drive Assembly - Page 6

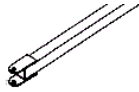


Spool and Drive Assembly			
No.	Part Number	Description	Qty.
1	583-3653-0	Key, 3/16 x 3/16 x 1"	1

Qty.	Part Number	Description	Unit	Quantity
2	800-4932-1	Sprocket, 40 B-12, 5/8 Bore W/KW & SS		1
3	586-0983-1	Bearing, 1-1/4 Pillow Block		1
4	586-0896-4	Spool, Hose		1
5	587-0142-2	Tube Rider		1
6	450-1633-0	Spring		1
7	587-0167-0	Belting, 5 PLY x 1" Neoprene	Ft.	7.1
9	587-0162-2	Tensioner, Brake Band		1
10	450-4858-0	Spring		1
11	586-0993-1	Collar, 2"Set		2
12	586-0894-3	Arm, Ratchet Drive		1
13	450-3536-0	Spring, 1 x 6" Tension		2
14	586-0982-1-	Bearing, 2" Pillow Block		1
15	588-0167-1	Sleeve, Stainless Steel		1
16	586-0994-0	Sleeve, 1/16" x 1/2" x 2" Vinyl	Ft.	0.17
17	586-0748-0	Pawl, Ratchet Drive		1
18	586-0748-2	Pawl, Anti-Return		1
19	586-0751-2	Stud, Pawl Support		1
20	586-0832-4	Rod, Shut-Off		1
22	586-0834-6	Bracket, Valve Striker Mounting		1
23	587-0250-0	Handle, Hose Rewind		1
24	302-4915-0	Knob, Ball		1
25	586-081/8-1	Rod, Pawl Disengage		1
26	587-0040-1	U-Bolt, 3/8 x 2 x 2 Plated		2
27	588-0505-0	Anchor, Rear Brake		1
28A	588-0502-0	Spindle, Brake Take Up		1
28B	558-4846-1	Clevis Pin 1/4" x 1-1/2"		1
29A	030-1802-8	Clamp, 47-51 Hose		2
29B	030-1914-3	Clamp, 51-55 Hose		2
30	584-0179-2	Tube, 50mm x 1.6" ID Polyethene x 390 Ft.		1
30	584-0179-7	Tube, 50mm x 1.8" ID Polyethene x 330 Ft.		1
31A	587-0156-0	Clamp, Punch Lock		1
31B	030-1914-3	Clamp, 51-55 Hose		1
32A	590-0242-0	Barb, 1.6 PE Tube		1
32B	592-0242-2	Barb, 1.8 PE Tube		1
33	590-0262-0	Idler, Levelwind Drive Chain		1
34	875-4845-0	Chain, #40 Roller (134 Pins)	Ft.	5.6
34B	302-4844-0	Link, #40 Roller Chain Off-Set (Not Shown)		1
34B	302-4845-0	Link, #40 Roller Chain Connecting (Not Shown)		1
35	586-0834-8	Striker, Adjustable Pilot Valve		1
36	587-0160-3	Bracket, Brake Tensioner Mounting		1
37A	593-0177-0	Bushing, Mach 3 1/4 x 1-3/4 x 10 Ga (B-160)		1
37B	592-0193-0	Bushing, Mach 1-7/8 x 3-3/8 x 10 Ga (B-180S)		1

Levelwind Assembly - Page 8

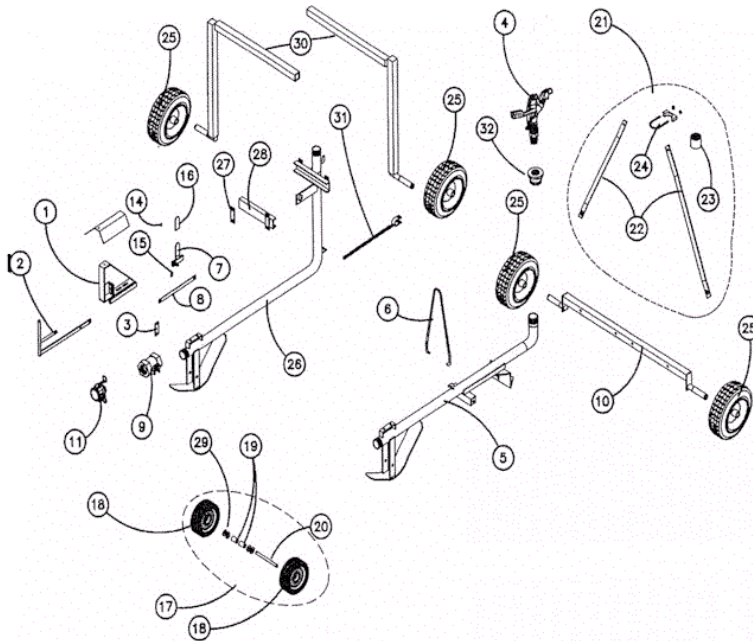




(15)

Levelwind Assembly			
No.	Part Number	Description	Qty.
1	586-0887-1	Arm, Hoseguide	1
2		Bolt, 3/8-16 x 2-12	1
3	586-0808-0	Guard, Bevel Gear	1
4	587-0248-0	Spring, 3/4 x 3-3/4 Tension	1
5	593-0225-0	Bar, Safety/Shut-Off	1
6	523-5744-0	Kit, Bevel Gear Overhaul	1
7	587-0018-0	Roller, Hoseguide	1
8	586-0972-0	Link, #40 Double Roller Chain Repair	1
9	586-0658-4	Frame, Levelwind	1
10	586-0665-0	Shaft/Sprocket, Levelwind Drive	2
12	875-4845-0	Chain, #40 Roller, (80 Rollers)	Ft. 3.4
13	586-0876-0	Lug, Levelwind Carrier Drive	1
14	586-0742-1	Shaft/Sprocket, Levelwind Input (26 Tooth) (B-160)	1
14	586-0742-8	Shaft/Sprocket, Levelwind Input (24 Tooth) (B-180S)	1
15	586-0992-1	Cap, 2" Square Tube	6

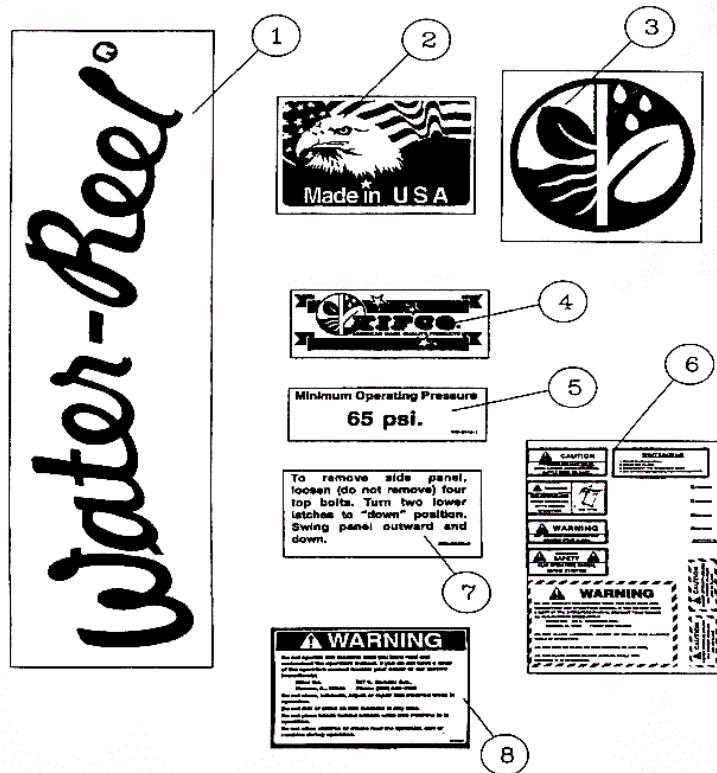
Sprinkler Cart Assembly - Page 10



Sprinkler Cart Assembly			
No.	Part Number	Description	Qty.
1	590-0226-0	Bracket, Shut-Off	
2	590-0241-0	Arm, Shut-Off	
3	526-5535-0	Handle, 1-1/2" Butterfly valve	
4A	526-6288-0	Sprinkler, Nelson P85 (See Catalog) (Standard for B-160)	
4B	596-0415-0	Sprinkler, Nelson SR100 TR NPTF (Standard for B-180S)	
5	590-0235-0	Body, B-160 Low Guncart	
6	587-0004-4	Bail, Guncart Lift	

7	586-0891-2	Handle, Shut-Off		
8	590-0237-0	Link		
9	252-4935-1	Valev, 1-1/2" Butterfly		
10	586-0999-7	Axle		
11	587-0100-1	Camlock, B FE 1-1/2 x 1-1/2 Male NPT		
14	558-4846-0	Pin, 1/4" x 3/4" Clevis		
15	561-0204-1	Pin, Wire Size .0585 Hair		
16	587-0150-0	Grip, 1" x 3" Black Mocap		
17	990-7003-0	Kit, Front Wheel		
18	587-0000-2	Wheel, .7 x 150 B1-3/8" Wide 1/2 B		
19	590-0220-0	Bushing, 3/4" x 11Ga x 1.32"		
20	590-0221-0	Axle, B-160 Guncart Front		
21	990-7004-0	Kit, B-160 Riser		
22	590-0251-0	Brace		
23	525-0347-0	Coupling, 1-1/2"		
24	585-0147-1	Clamp, 1-3/4" Muffler		
25	586-0811-0	Wheel/Tire, 410-350 x 4 W/1" Bearing		
26	590-0235-1	Body, B-160 High Gun Cart		
27	587-0082-0	Strap, Guncart Axle Clamp (Fits High Guncart Only)		
28	587-0083-0	Clamp, Guncart Axle (Fits High Guncart Only)		
29	553-4878-0	Bushing, .87 x .51 x 18 GA		
30	586-0999-4	Axle, Guncart (Fits High Guncart Only)		
31	587-0097-0	Hitch, Chain		
32A	525-1180-2	Coupling, Reducing 1-1/2" x 1-1/4" (P-85)		
32B	585-0405-0	Bushing, Reducing 2" x 1-1/2" (SR-100 Gun)		

Decal Group - Page 12



Page 13

Decal Group			
No.	Part Number	Description	Qty.
1	586-0743-0	Decal, Water-Reel	8
2	586-0821-1	Decal, Made in USA 3.1 x 4:6	1
3	585-0299-3	Decal, Logo. 10" Round	1

4	586-0821-0	Decal, American Made	1
5	590-0112-1	Decal, Min. Operating Pressure	1
6	587-0014-0	Decal, Warning and Operation	1
7	596-0425-0	Decal, Remove Side Panel	1
8	597-0124-0	Decal, Warning Operator Instructions	1

Numerical Parts Listing				
Page	No.	Part Number	Description	Qty.
	4	030-1652-4	Clamp, 12-22 Hose	2
	6	030-1802-8	Clamp, 47-51 Hose	2
	6	030-1914-3	Clamp, 51-55 Hose	2
	6	030-1914-3	Clamp, 51-55 Hose	1
	4	030-1915-1	Clamp, 55-59 Hose	2
	10	252-4935-1	Valve, 1-1/2" Butterfly	1
	4	252-4939-0	Tube 1/4 Nylon Control	Ft. 4
	4	252-4939-3	Tube, 1/2" OD Nylon Control	Ft. 1
	6	302-4844-0	Link, #40 Roller Chain Off-Set (Not Shown)	1
	6	302-4845-0	Link, #40 Roller Chain Connecting (Not Shown)	1
	6	302-4915-0	Knob, Ball	1
	2	400-4855-3	Winch, Fulton T-600	1
	6	450-1633-0	Spring	1
	6	450-3536-0	Spring, 1 x 6" Tension	2
	6	450-4858-0	Spring	1
	2	450-4858-2	Spring, .50 OD x 2 x .47 WRL4CL	2
	4	500-0003-0	Elbow, Male 3/8"	1
	4	500-0769-0	Screen	1
	2	512-4847-0	Bushing, .40- x .56 x .32" Long	2
	8	523-5744-0	Kit, Bevel Gear Overhaul	1
	4	525-0263-1	Tee, 3/8 Brass Pipe	1
	4	525-0263-2	Tee, 1/4 Brass Pipe	1
	4	525-0264-1	Nipple, 3/8 x 3	1
	4	525-0267-1	Bushing, 3/8 x 1/2 Brass Red	1
	10	525-0347-0	Coupling, 1-1/2"	1
	4	525-0616-1	Bushing, 3/8 x 1/4 Brass Red	4
	10	525-1180-2	Coupling, Reducing 1-1/2" x 1-1/4" (P-85)	
	4	525-1344-1	Elbow, 1/2 x 90 Deg Brass Street	1
	4	525-1393-1	Nipple Close 3/8"	2
	4	525-1395-5	Nipple, 3/8 x 4 Brass	1
	4	525-1397-2	Nipple, 1/4 x 2.5 Brass	1
	4	525-3214-1	Nipple, 1/4 x Close Brass Pipe	3
	4	525-3225-0	Valve, 1/8 Drain	1
	4	525-4915-0	FTG, TB 90 1/8MNPT x 1/4" Tube	2
	4	525-4915-1	FTG, TB 90 1/4MNPT x 1/4 Tube	2
	4	525-4917-0	FTG, TB ST 1/8MNPT x 1/4 Tube	3
	4	525-4917-2	FTG, TB ST 1/4MNPT x 1/4 Tube	1
	4	525-4917-4	FTG, TB 90 3/8MNPT x 1/2" Tube	1
	4	525-4917-5	FTG, TB 90 1/4MNPT x 1/2" Tube	1
	10	526-5535-0	Handle, 1-1/2" Butterfly valve	1
	10	526-6288-0	Sprinkler, Nelson P85 (See Catalog) (Standard for B-160)	1
	10	553-4878-0	Bushing, .87 x .51 x 18 GA	4

Numerical Parts Listing				
Page	No.	Part Number	Description	Qty.
	2	553-4879-0	Bushing, 1-7/8 x 1-1/4 x 14 Ga	2
	2	558-1873-0	Pin, Clevis 1/2 x 1-27/64 OAL	1
	10	558-4846-0	Pin, 1/4" x 3/4" Clevis	1
	6	558-4846-1	Clevis Pin 1/4" x 1-1/2"	1
	2	561-0204-1	Pin, .0585" Hair (Not Shown)	2
	10	561-0204-1	Pin, Wire Size .0585 Hair	1

6	583-3653-0	Key, 3/16 x 3/16 x 1"	1
6	584-0179-2	Tube, 50mm x 1.6" ID Polyethylene x 390 Ft.	1
6	584-0179-7	Tube, 50mm x 1.8" ID Polyethylene x 330 Ft.	1
10	585-0147-1	Clamp, 1-3/4" Muffler	1
12	585-0299-3	Decal, Logo, 10" Round	1
10	585-0405-0	Bushing, Reducing 2" x 1-1/2" (SR-100 Gun)	
4	586-0117-1	Bar, Hose 1/2 Male NPT x 1/2 Hose	1
2	586-0229-0	WHL/Tire/BNG, 4.8/4.00-8	1
2	586-0229-1	Wheel/Tire, 5.7/500 x 8B, 1.25 Bore 4 Ply	2
8	586-0658-4	Frame, Levelwind	1
8	586-0665-0	Shaft/Sprocket, Levelwind Drive	2
4	586-0675-0	Gauge, 0-300 Water Pressure	1
8	586-0742-1	Shaft/Sprocket, Levelwind Input (26 Tooth) (B-160)	1
8	586-0742-8	Shaft/Sprocket, Levelwind Input (24 Tooth) (B-180S)	1
12	586-0743-0	Decal, Water-Reel	8
6	586-0748-0	Pawl, Ratchet Drive	1
6	586-0748-2	Pawl, Anti-Return	1
6	586-0751-2	Stud, Pawl Support	1
2	586-0753-1	Guard, Levelwind Chain	1
4	586-0757-1	Valve, 3 Way x 3/8 Brass	1
2	586-0766-1	Fork, Front Wheel	1
4	586-0784-3	Plate, Bellows	1
4	586-0794-2	Bellows	1
2	586-0799-5	Shield, Side	1
4	586-0801-1	Hose IRR Supply 2"	Ft. 15
4	586-0802-1	Coupler, 2 x 2 90 DEG Camlock CL Plastic	1
4	586-0806-1	Nipple, 2" Plated King	1
8	586-0808-0	Guard, Bevel Gear	1
10	586-0811-0	Wheel/Tire, 410-350 x 4 W/1" Bearing	2
2	586-0816-4	Leg, Right Stabilizer	1
2	586-0817-4	Leg, Left Stabilizer	1
6	586-0818-1	Rod, Pawl Disengage	1
12	586-0821-0	Decal, American Made	1
12	586-0821-1	Decal, Made in USA 3.1 x 4.6	1

Page 16

Numerical Parts Listing				
Page	No.	Part Number	Description	Qty.
	6	586-0832-4	Rod, Shut-Off	1
	6	586-0834-6	Bracket, Valve Striker Mounting	1
	6	586-0834-8	Striker, Adjustable Pilot Valve	1
	4	586-0839-3	Fitting, Water Entry	1
	2	586-0844-1	Spacer	2
	2	586-0848-3	Hanger, Sprinkler Cart	1
	4	586-0868-4	Pipe Bracket	1
	4	586-0870-1	Elbow, 3/8 x 90 Deg. Brass (Drilled & Tap)	1
	8	586-0876-0	Lug, Levelwind Carrier Drive	1
	8	586-0887-1	Arm, Hoseguide	1
	10	586-0891-2	Handle, Shut-Off	1
	6	586-0894-3	Arm, Ratchet Drive	1
	6	586-0896-4	Spool, Hose	1
	2	586-0899-1	Axle, Front	1
	2	586-0900-1	Axle	1
	2	586-0921-1	Frame	1
	4	586-0922-0	Anchor, Discharge Hose	1
	8	586-0972-0	Link, #40 Double Roller Chain Repair	1
	4	586-0978-5	Valve, 3/8" Needle	1
	4	586-0978-6	Valve, Humphrey 250 N.O.	1
	6	586-0982-1	Bearing, 2" Pillow Block	1
	6	586-0983-1	Bearing, 1-1/4" Pillow Block	1
	4	586-0988-0	Adptr Union 4F x 4F 1/4"	1
	4	586-0989-3	Filter, Vik Lo PR 3/8 NPT 40 Mesh	1
	4	586-0991-2	O-Ring, 1-7/8 x 1-1/2 x 3/16	1
	8	586-0992-1	Cap, 2" Square Tube	6
	6	586-0993-1	Collar, 2" Set	2
	6	586-0994-0	Sleeve, 1/16" x 1/2" x 2" Vinyl	Ft. 0.17
	10	586-0999-4	Axle, Guncart (Fits High Guncart Only)	2
	10	586-0999-7	Axle	1

10	587-0000-2	Wheel, .7 x 150 B1-3/8" Wide 1/2 B	2
10	587-0004-4	Bail, Guncart Lift	1
12	587-0014-0	Decal, Warning and Operation	1
8	587-0018-0	Roller, Hoseguide	1
2	587-0040-1	U-Bolt, 3/8 x 2 x 2-3/4	4
6	587-0040-1	U-Bolt, 3/8 x 2 x 2 Plated	2
4	587-0051-0	Discharge Hose	1
10	587-0082-0	Strap, Guncart Axle Clamp (Fits High Guncart Only)	1
10	587-0083-0	Clamp, Guncart Axle (Fits High Guncart Only)	1
10	587-0097-0	Hitch, Chain	1

Numerical Parts Listing				
Page	No.	Part Number	Description	Qty.
10	587-0100-1	Camlock, B FE 1-1/2 x 1-1/2 Male NPT		1
6	587-0142-2	Tube Rider		1
10	587-0150-0	Grip, 1" x 3" Black Mocap		1
2	587-0153-0	Bushing, 1-1/4 ID x 1/2" Long		2
6	587-0156-0	Clamp, Punch Lock		1
6	587-0160-3	Bracket, Brake Tensioner Mounting		1
6	587-0162-2	Tensioner, Brake Band		1
6	587-0167-0	Belting, 5 PLY x 1" Neoprene	Ft.	7.1
8	587-0248-0	Spring, 3/4 x 3-3/4 Tension		1
6	587-0250-0	Handle, Hose Rewind		1
2	588-0016-5	Shield, Rear		1
2	588-0019-2	Shield, Front		1
6	588-0167-1	Sleeve, Stainless Steel		1
6	588-0502-0	Spindle, Brake Take Up		1
6	588-0505-0	Anchor, Rear Brake		1
4	589-0068-0	Valve, Cam 3/8 Quick Exhaust		1
4	589-0068-9	Diaphragm for Quick Exhaust (Not Shown)		1
4	589-0113-1	Gasket, 2"		1
12	590-0112-1	Decal, Min. Operating Pressure		1
2	590-0216-0	Bushing, 3/4 x .4 x 2.3		2
10	590-0220-0	Bushing, 3/4" x 11Ga x 1.32"		2
10	590-0221-0	Axle, B-160 Guncart Front		1
10	590-0226-0	Bracket, Shut-Off		1
10	590-0235-0	Body, B-160 Low Guncart		1
10	590-0235-1	Body, B-160 High Gun Cart		1
10	590-0237-0	Link		1
10	590-0241-0	Arm, Shut-Off		1
6	590-0242-0	Barb, 1.6 PE Tube		1
2	590-0250-0	Hook, J		2
10	590-0251-0	Brace		2
6	590-0262-0	Idler, Levelwind Drive Chain		1
4	590-0278-0	Plate, Valve Indicator		1
2	590-0280-0	Hook		1
4	590-0287-0	Handle for 586-0757-1 Valve		1
2	591-0021-0	Guard Nut		4
6	592-0193-0	Bushing, Mach 1-7/8 x 3-3/8 x 10 Ga (B-180S)		1
6	592-0242-2	Barb, 1.8 PE Tube		1
6	593-0177-0	Bushing, Mach 3 1/4 x 1-3/4 x 10 Ga (B-160)		1
8	593-0225-0	Bar, Safety/Shut-Off		1
2	593-0266-0	Sleeve, Ovel 3/8" Rope (Not Shown)		1
2	593-0334-0	Pulley, WRP 3/8" x 2 x 1/2" Bore UHM W P		1
4	594-0153-0	Valve, W/spool, stud & nuts		1
2	594-0529-2	Tongue		1
2	596-0256-1	Ring, Retaining 1-1/4 Shaft		4
10	596-0415-0	Sprinkler, Nelson SR100 TR NPTF (Standard for B-180S)		1
12	596-0425-0	Decal, Remove Side Panel		1
12	597-0124-0	Decal, Warning Operator Instructions		1
2	750-4844-6	Rope, Nylon 3/8"	Ft.	6
6	800-4932-1	Sprocket, 40 B-12, 5/8 Bore W/KW & SS		1
6	875-4845-0	Chain, #40 Roller (134 Pins)	Ft.	5.6
8	875-4845-0	Chain, #40 Roller, (80 Rollers)	Ft.	3.4
10	990-7003-0	Kit, Front Wheel		1

10	990-7004-0	Kit, B-160 Riser		1
8		Bolt, 3/8-16 x 2-12		1

Copyright © 2000, Kifco