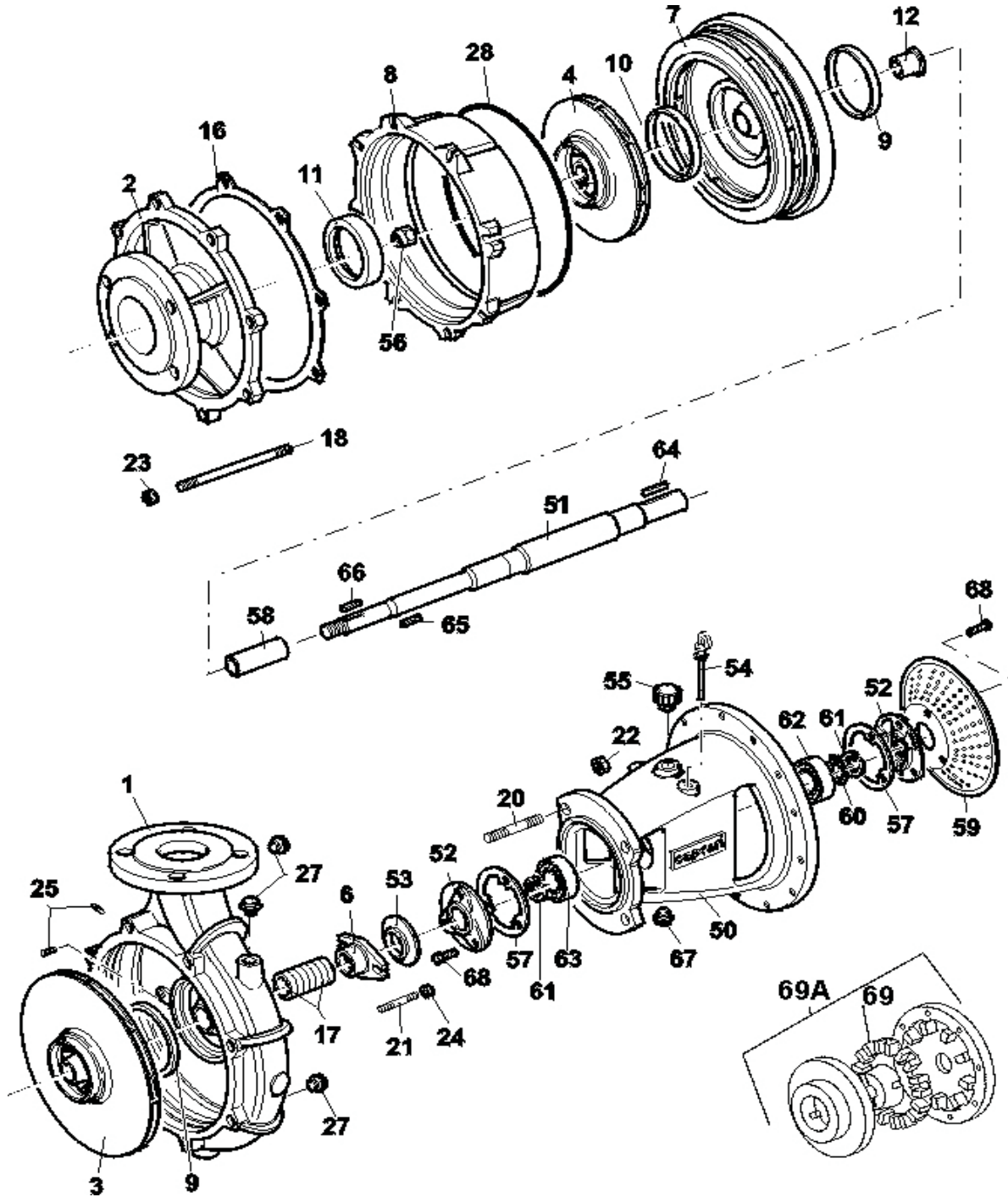


# PARTS MANUAL





## Caprari Pump - MG100/2A

UPDATED 08/18/09 ER

| Item | Part Number | Description                       | Qty. |
|------|-------------|-----------------------------------|------|
| 1    | 04040103    | CASING, PUMP                      | 1    |
| 2    | 04040400    | COVER, SUCTION                    | 1    |
| 3    | 04040817    | IMPELLER                          | 1    |
| 4    | 04040827    | IMPELLER                          | 1    |
| 6    | 04041634    | BOX,STUFFING                      | 1    |
| 7    | 04043388    | DIFFUSOR MR100/2                  | 1    |
| 8    | 04043391    | CASING, STAGE                     | 1    |
| 9    | 04044540    | RING,WEAR                         | 2    |
| 10   | 04044540    | RING,WEAR                         | 1    |
| 11   | 04044541    | RING,WEAR                         | 1    |
| 12   | 04041717    | BRONZE BEARING                    | 1    |
| 16   | 04033738    | GASKET,PAPER                      | 2    |
| 17   | 04333346    | PACKING,SET OF 7                  | 1    |
| 18   | 04030613    | STUD CODICE #30613                | 12   |
| 20   | 04030380    | STUD M20X45                       | 4    |
| 21   | 04030398    | STUD M12X65                       | 2    |
| 22   | 04031034    | NUT M20                           | 4    |
| 23   | 04031031    | NUT,M16                           | 12   |
| 24   | 04031203    | NUT, M12                          | 2    |
| 25   | 04030760    | GRANO M14X16 UNI 5923-12.9        | 2    |
| 27   | 04031714    | PLUG 3/8" BSP                     | 3    |
| 28   | 04033471    | O-RING                            | 1    |
| 50   | 04042306    | SUPPORT BASE                      | 1    |
| 51   | 04041447    | SHAFT                             | 1    |
| 52   | 04041673    | FLANGE                            | 2    |
| 53   | 04031837    | COVER SHAFT SEALING RING          | 1    |
| 54   | 04031828    | DIPSTICK                          | 1    |
| 55   | 04031743    | CAP,OIL FILL                      | 1    |
| 56   | 04033134    | NUT,IMPELLER MEC100               | 1    |
| 57   | 04033826    | GASKET                            | 2    |
| 58   | 04041863    | SLEEVE,SHAFT SPACER               | 1    |
| 59   | 04046297    | SHIELD                            | 1    |
| 60   | 04031524    | ANELLO ELASTICO 45 UNI 7435 X ALB | 1    |
| 61   | 04033276    | ANELLO DI TENUTA 45X65X10         | 2    |
| 62   | 04035115    | BEARING,IMPELLER SHAFT            | 1    |
| 63   | 04035128    | BEARING NJ309                     | 1    |
| 64   | 04031472    | KEY A14X9X80                      | 1    |
| 65   | 04031454    | KEY A10X8X40                      | 1    |
| 66   | 04031454    | KEY A10X8X40                      | 1    |
| 67   | 04031714    | PLUG 3/8" BSP                     | 1    |
| 68   | 04030080    | BOLT M10X25                       | 6    |
| 69   | 50201460    | RUBBER COUPLING SET OF 9 - MG80/3 | 1    |
| 69A  | 59703961    | Coupling complete                 | 1    |