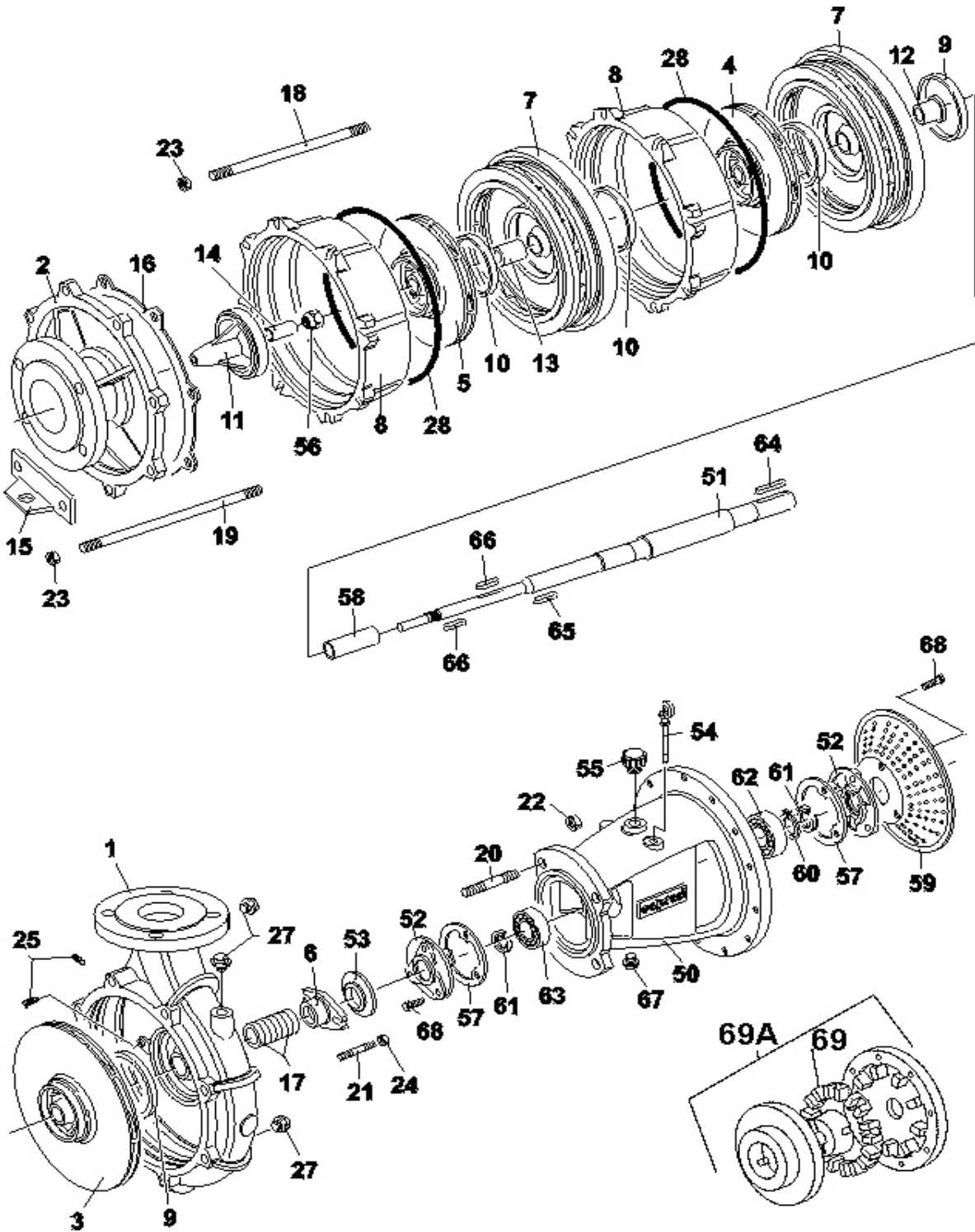


PARTS MANUAL



Item	Part Number	Description	Qty.
1	04040030	CASING, PUMP	1
2	04040444	COVER, SUCTION	1
3	04047001	IMPELLER	1
4	04040812	IMPELLER	1
5	04040812	IMPELLER	1
6	04041634	BOX,STUFFING	1
7	04043388	DIFFUSOR MR100/2	2
8	04043391	CASING, STAGE	2
9	04044540	RING,WEAR	2
10	04044557	RING,WEAR	3
11	04042153	WEAR RING	1
12	04041714	SLEEVE,SHAFT SPACER	1
13	04041713	SLEEVE,SHAFT SPACER	1
14	04033014	BUSH,IMP SHFT BRG	1
15	04045405	BRACKET	1
17	04333346	PACKING,SET OF 7	1
18	04030681	STUD, M16X300	10
19	04030682	STUD, M16X610	2
20	04030380	STUD, M20X45	4
21	04030398	STUD, M12X65	2
22	04031034	NUT, M20	4
23	04031031	NUT,M16	12
24	04031025	NUT,M12	2
26	04031322	WASHER, 16.5MM X 30MM X 2.5 MM	2
27	04031714	PLUG 3/8" BSP	3
28	04033471	O-RING	3
50	04042306	SUPPORT BASE	1
51	04041450	SHAFT	1
52	04041673	FLANGE	2
53	04031837	COVER, SHAFT SEALING RING	1
54	04031828	DIPSTICK	1
55	04031743	CAP,OIL FILL	1
56	04033133	NUT,IMPELLER MEC80	1
57	04033826	GASKET	2
58	04041863	SLEEVE,SHAFT SPACER	1
59	04046297	CARTER DI PROTEZIONE	1
60	04031524	ANELLO ELASTICO 45 UNI 7435X ALB.	1
61	04033276	ANELLO DI TENUTA 45X65X10	2
62	04035115	BEARING,IMPELLER SHAFT	1
63	04035128	BEARING, NJ309	1
64	04031472	KEY, A14X9X80	1
65	04031454	KEY, A10X8X40	1
66	04031434	KEY 8 X 7 X 35	2
67	04031714	PLUG 3/8" BSP	1
68	04030080	BOLT M10X25	6
69	50201460	RUBBER COUPLING SET OF 9 - MG80/3	1
69A	59703961	Coupling Complete	1