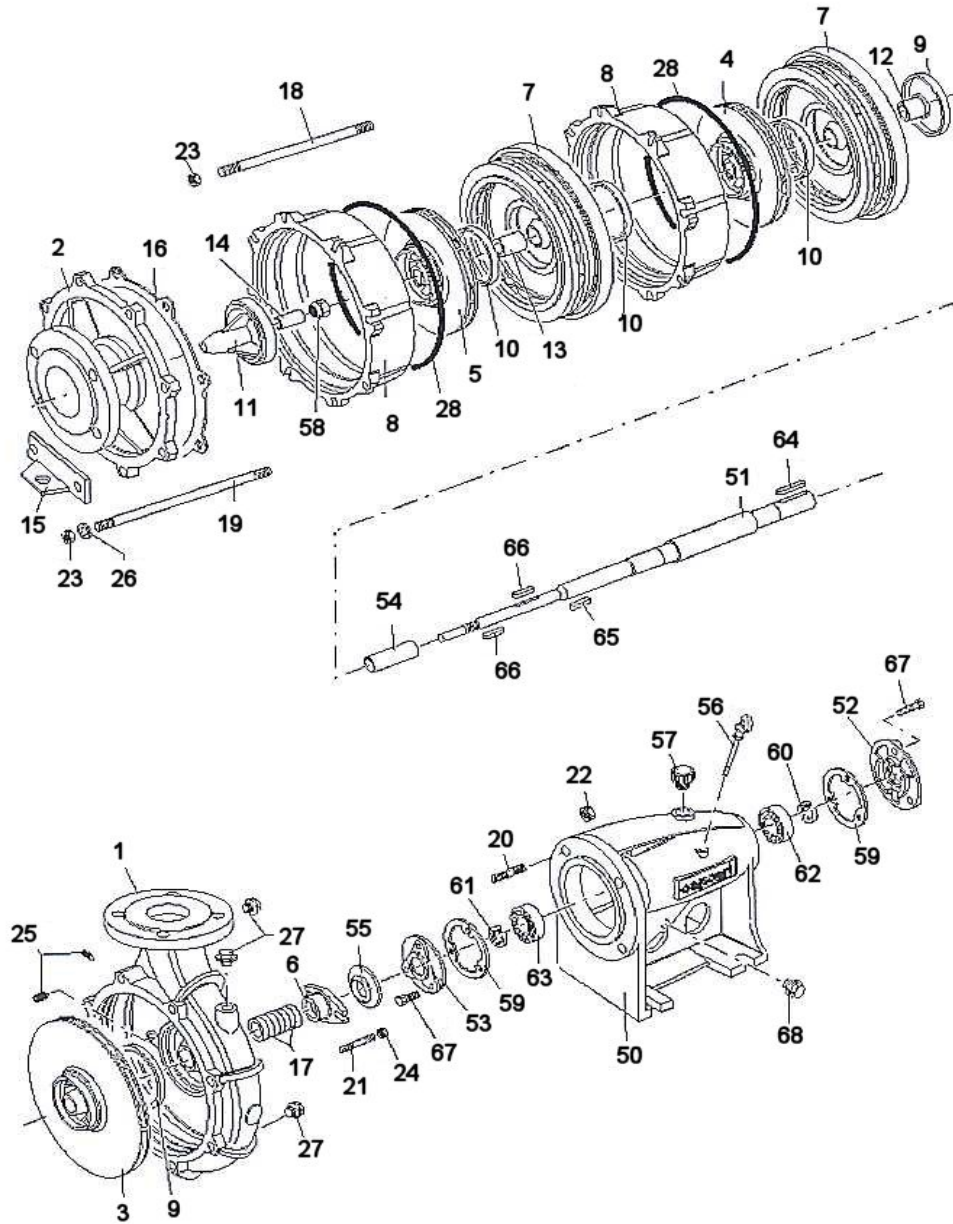


PARTS MANUAL



P/N 58609580

Item	Part Number	Description	Qty.
1	04040084	CASING,PUMP D04/80	1
2	04040395	COVER,SUCTION	1
3	04040812	IMPELLER	1
4	04040811	IMPELLER DMR 83A STG2	1
5	04040811	IMPELLER DMR 83A STG2	1
6	04041633	BOX,STUFFING	1
7	04043389	DIFFUSOR	2
8	04043392	HOUSING	2
9	04044538	RING,WEAR	2
10	04044538	RING,WEAR	3
11	04042153	WEAR RING	1
12	04041721	SLEEVE	1
13	04041721	SLEEVE	1
14	04033014	BUSH,IMP SHFT BRG	1
15	04045404	BRACKET	1
16	04033737	GASKET,SUCTION CO	2
17	04233345	PACKING,SET OF 7	1
18	04030572	STUD M14x220	8
19	04030575	STUD M14x230	2
20	04030367	STUD M16 X 35	4
21	04030394	STUD,M10X58	2
22	04031031	NUT,M16	4
23	04031028	NUT,M14	10
24	04031201	NUT,10MM	2
25	04030745	SCREW,SET 10MMX12MM SPEC	2
26	04031321	WASHER, 15mmx31mmx3mm	2
27	04031714	PLUG 3/8" BSP	3
28	04033466	O-RING	2
50	04044806	BASE, SUPPORT	1
51	04041536	SHAFT,PUMP	1
52	04041672	COVER,BEARING HOUSING	1
53	04041672	COVER,BEARING HOUSING	1
54	04041862	SLEEVE,BEARING BUSH	1
55	04031836	DEFLECTOR	1
56	04031817	DIPSTICK, HMU PUMP	1
57	04031743	CAP,OIL FILL	1
58	04033133	NUT,IMPELLER MEC80	1
59	04033825	GASKET,BIG HOUSING MR80	2
60	04433263	Seal 40x52x7	1
61	04033259	SEAL,OIL NOK355277	1
62	04035087	BEARING,INPUT SHAFT	1
63	04035113	BEARING,3307ATN9/C3 NO SL	1
64	04031462	KEY PUMP SHFT	1
65	04031434	KEY 8 X 7 X 35	1
66	04031434	KEY 8 X 7 X 35	2
67	55050001	BOLT,M8X20	6
68	04031714	PLUG 3/8" BSP	1