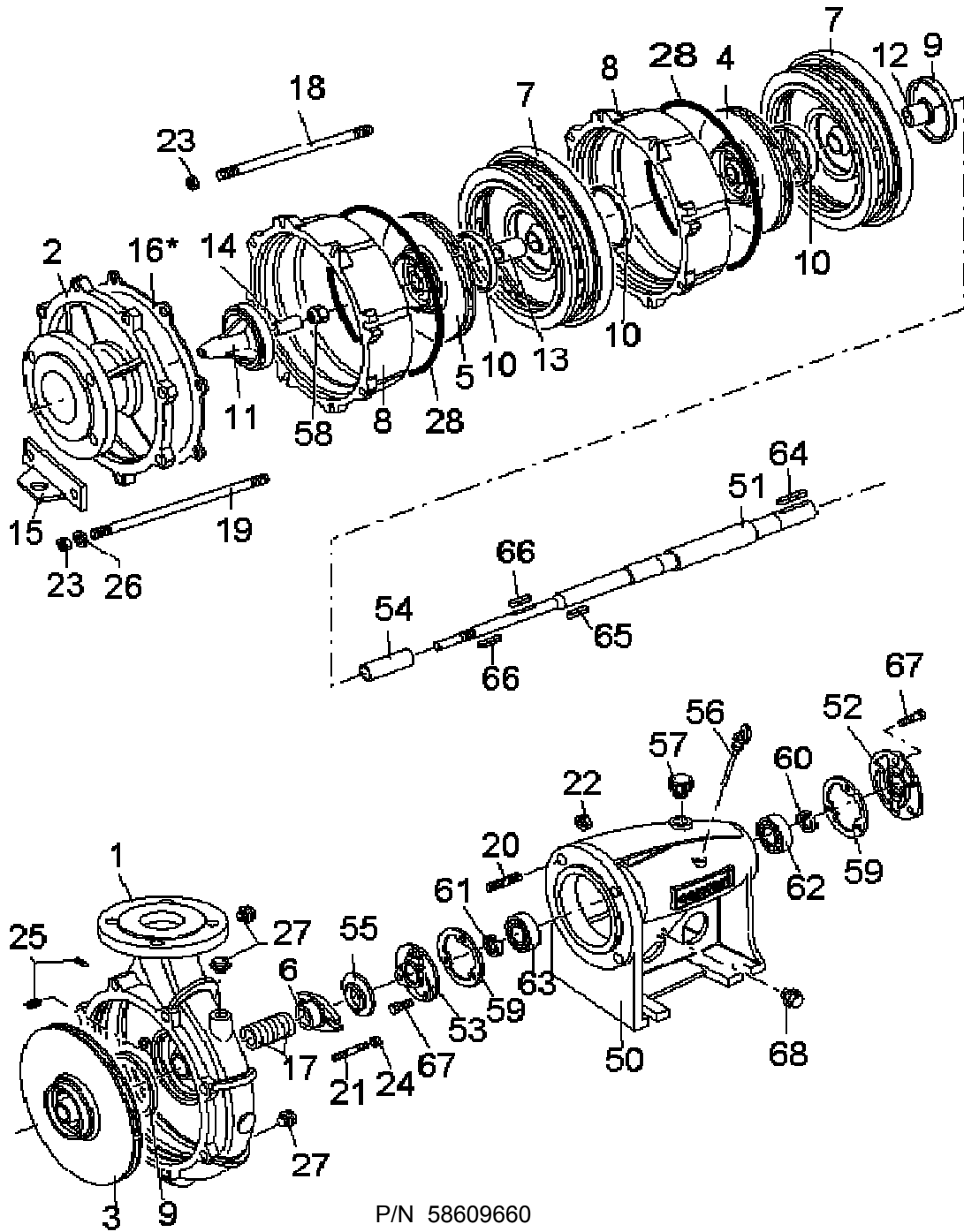


PARTS MANUAL



P/N 58609660

Caprari MR100 1_3A

Item	Part Number	Description	Qty.
1	04040030	Pump Casing D1/50A	1
2	04040444	Suction Cover D1/50A	1
3	04040817	IMPELLER	1
4	04040812	IMPELLER	1
5	04040812	IMPELLER	1
6	04041634	BOX,STUFFING	1
7	04043388	RING,WEAR	2
8	04043391	STAGE CASING	2
9	04044540	WEAR RING	2
10	04044557	WEAR RING	3
11	04042153	WEAR RING	1
12	04041714	SPACER SLEEVE	1
13	04041713	SPACER SLEEVE	1
14	04033014	BUSH,IMP SHFT BRG	1
15	04045405	STAND FEET	1
17	04333346	PACKING, SET OF 7	1
18	04030681	SPECIAL STUD	10
19	04030682	SPECIAL STUD	2
20	04030380	STUD	4
21	04030398	STUD	2
22	04031034	NUT	4
23	04031031	NUT,M16	12
24	04031203	NUT	2
26	04031322	WASHER	2
27	04031714	PLUG 3/8" BSP	3
28	04033471	O-RING	3
50	04044807	PEDESTAL	1
51	04041544	PUMP SHAFT	1
52	04041680	BEARING COVER	1
53	04041673	BEARING COVER	1
54	04041863	SLEEVE,SHAFT SPACER	1
55	04031837	DEFLECTOR	1
56	04031818	OIL DIPSTICK	1
57	04031743	CAP,OIL FILL	1
58	04033133	NUT,IMPELLER MEC80	1
59	04033826	GASKET FOR FLANGE	2
60	04033291	SEAL RING 55X70X8	1
61	04033261	SEAL RING 45X65X8	1
62	04035085	BEARING 3211/C3	1
63	04035115	BEARING,IMPELLER SHAFT	1
64	04031495	KEY A14X9X90	1
65	04031454	FEATHER KEY	1
66	04031434	KEY 8 X 7 X 35	2
67	04030080	SCREW	6
68	04031714	PLUG 3/8" BSP	1