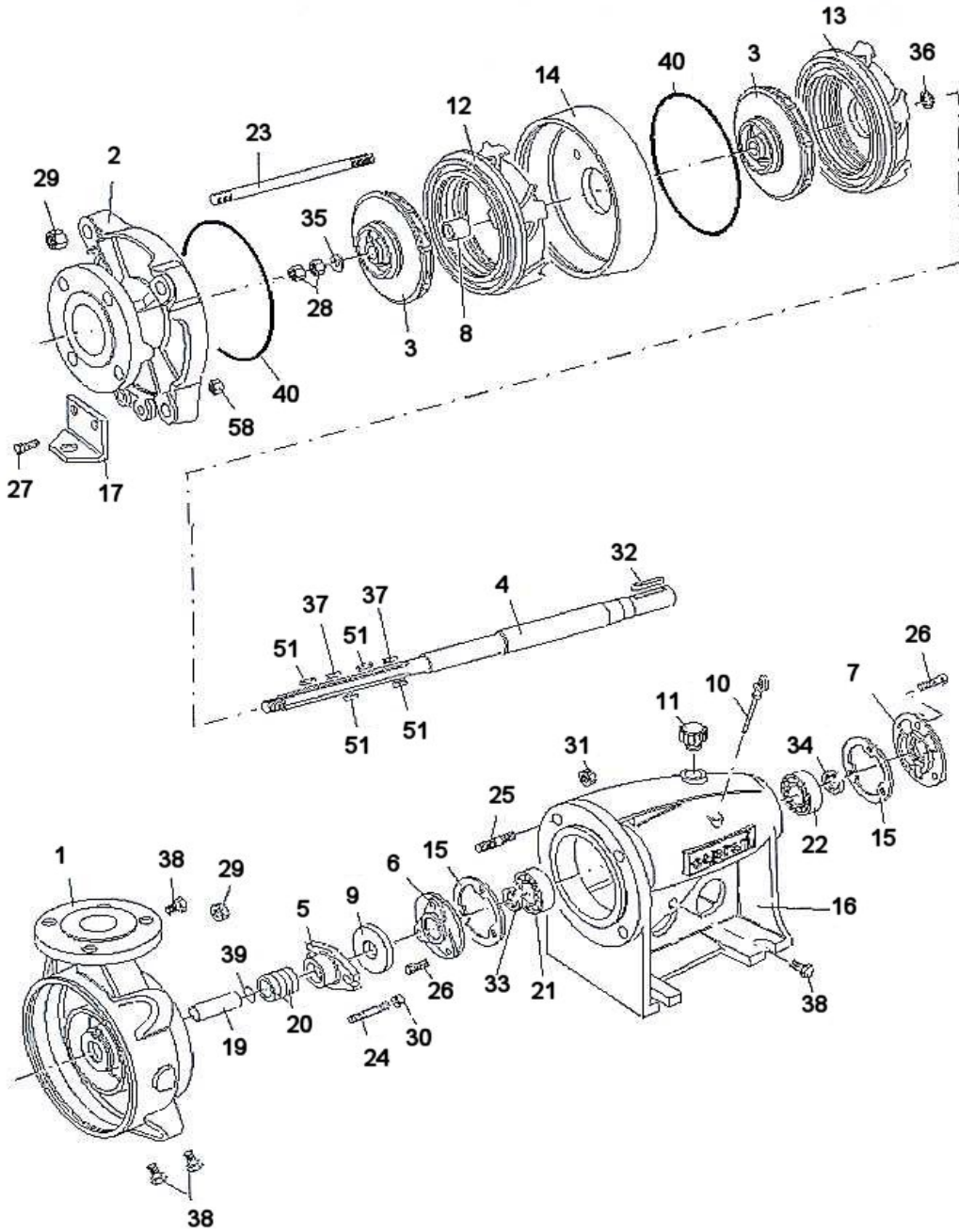


# PARTS MANUAL



P/N 50100710

CONSTRUCTED 04/04/06 RC

Item	Part Number	Description	Qty.
1	04040171	CASING, PUMP	1
2	04050186	SUCTION COVER-HMU 50.1	1
3	04040943	IMPELLER	4
4	04051911	SHAFT	1
5	04041619	BOX, STUFFING	1
6	04041672	COVER,BEARING HOUSING	1
7	04041672	COVER,BEARING HOUSING	1
8	04041701	SLEEVE	3
9	04031836	DEFLECTOR	1
10	04031817	DIPSTICK, HMU PUMP	1
11	04031743	CAP,OIL FILL	1
12	04040959	CASING, STAGE	3
13	04040960	CASING, STAGE	1
14	04043480	CASING, COVER	3
15	04033825	GASKET,BIG HOUSING MR80	2
16	04044806	SUPPORT BASE	1
17	04045543	SLEEVE,SHAFT SPACER	1
19	04045543	SLEEVE,SHAFT SPACER	1
20	04033326	PACKING RINGS SET OF 4	1
21	04035113	BEARING,3307ATN9/C3 NO SL	1
22	02216030	BEARING, 6208 (NO SEALS)	1
23	04030653	STUD, M22X352	4
24	04030393	STUD, M10X45	2
25	04030367	STUD M16 X 35	4
26	55050001	BOLT,M8X20	6
27	04030082	BOLT, M10X35	2
28	04031039	NUT,M18 X 1.5 HM SERIES	2
29	04031041	NUT, M22	8
30	04031201	NUT,10MM	2
31	04031031	NUT,M16	4
32	04031462	KEY PUMP SHFT A10X8X70	1
33	04033259	SEAL,OIL NOK355277	1
34	04033263	RING,SEAL	1
35	04031279	ROSETTA, 18.5X33.5X5.5	1
36	04031347	ROSETTA, 28X40X2 SEEGER TIPO SS-F.ZN 3 II	1
37	04030700	DOWEL	4
38	04031711	PLUG, 1/2 BSP	2
38	04031714	PLUG 3/8" BSP	2
39	04033410	O-RING 26.70 X 1.78 MM	1
40	04033459	O-RING FOR HM 50.1	4
51	04031992	KEY A4X4X30	8
58	04031021	NUT,10MM SPECIAL	2