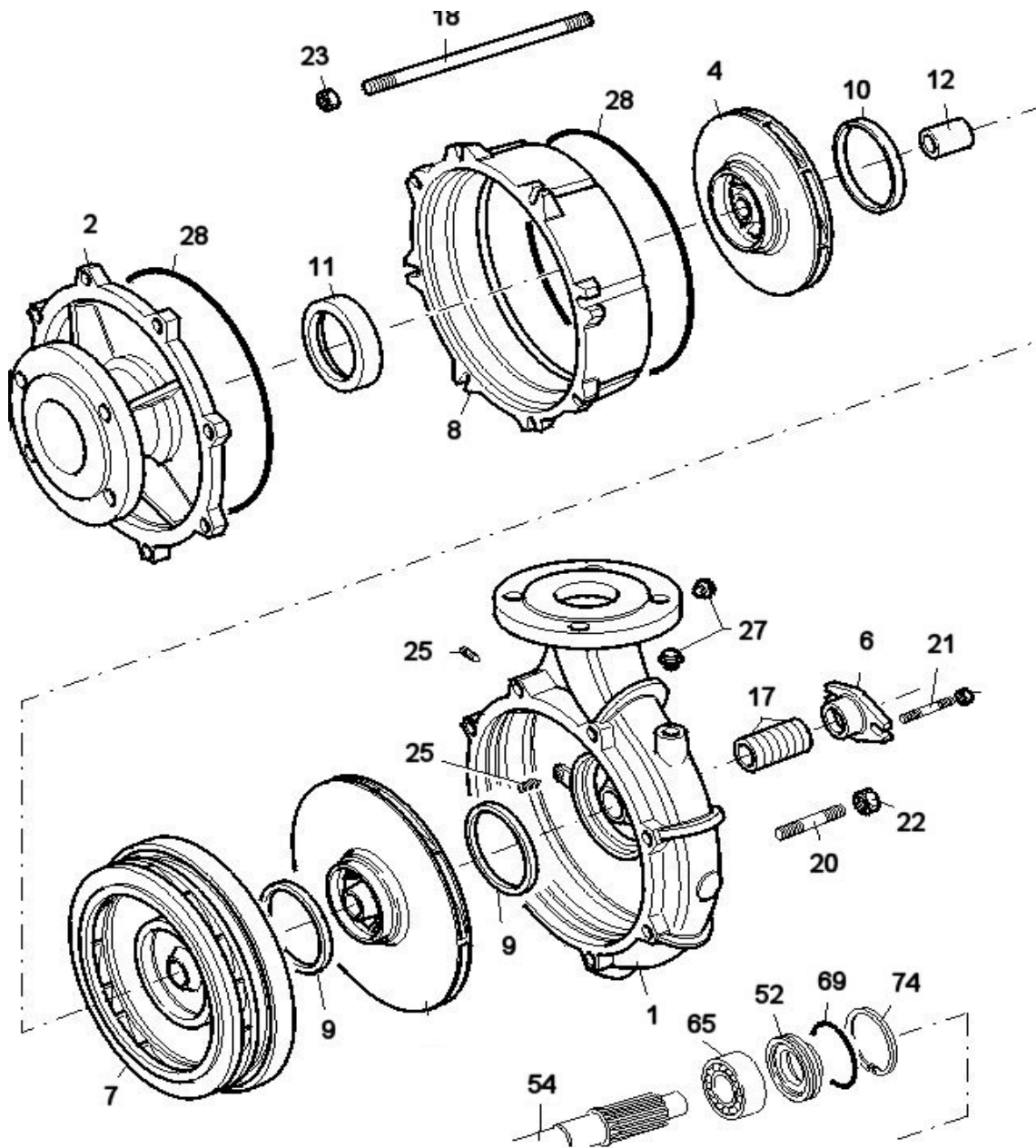
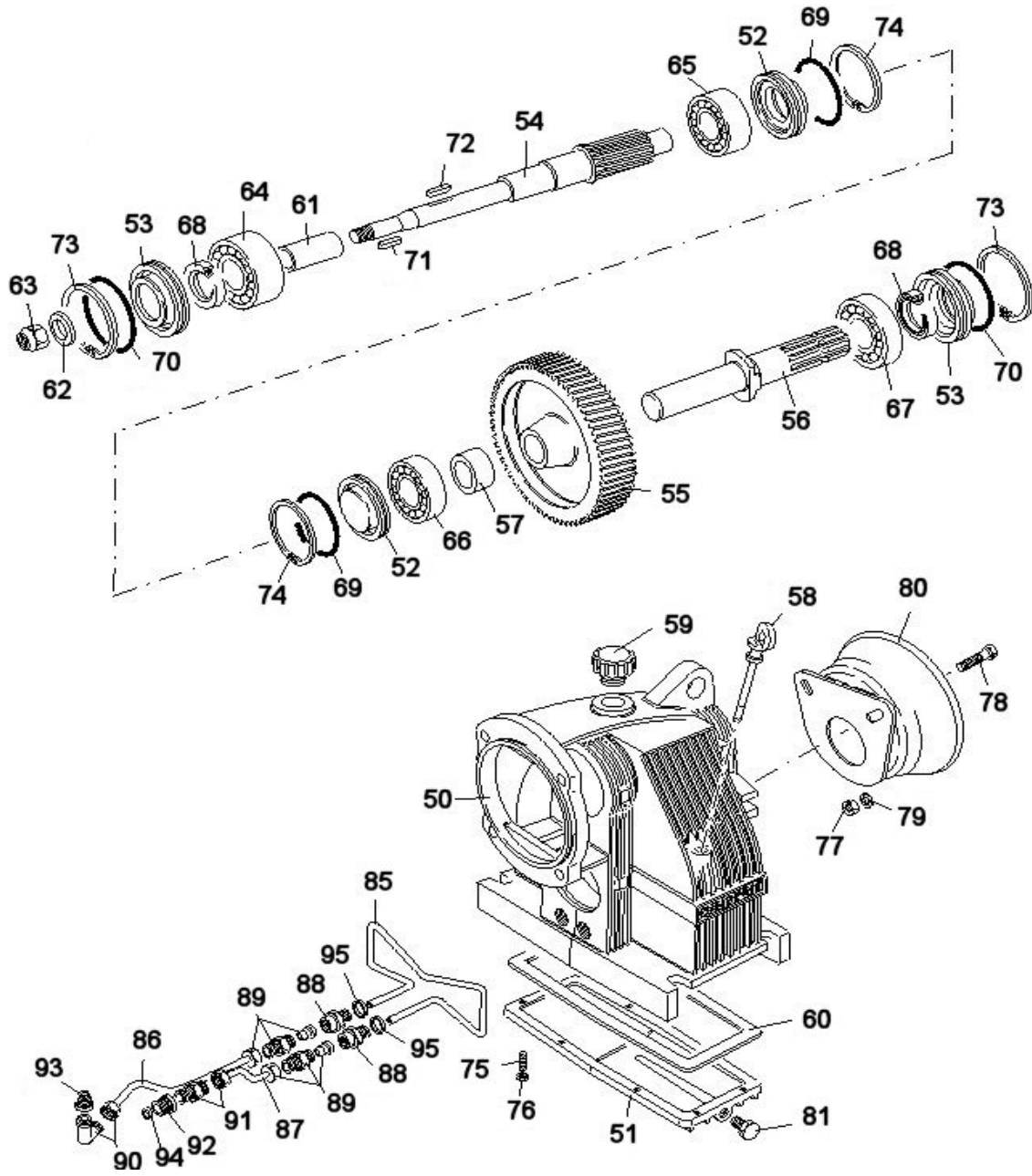


PARTS MANUAL





P/N 58602190

Item	Part Number	Description	Qty.
1	04040083	CASING,PUMP	1
2	04040394	COVER,SUCTION	1
3	04046931	IMPELLER DMR80C STG2	1
4	04040810	IMPELLER DMR80C DIFFUSER	1
6	04041633	BOX,STUFFING	1
7	04043378	DIFFUSER DMR 80	1
8	04043390	CASING,STAGE	1
9	04044538	RING,WEAR	2
10	04044538	RING,WEAR	1
11	04044539	RING,WEAR	1
12	04041711	SLEEVE,SHAFT SPACER	1
17	04233345	PACKING,SET OF 7	1
18	04030547	STUD M12 X 120	8
20	04030367	STUD M16 X 35	4
21	04030394	STUD,M10X58	2
22	04031031	NUT,M16	4
23	04031025	NUT,M12	8
24	04031201	NUT,10MM	2
25	04030745	DOWEL	2
27	04031714	PLUG 3/8" BSP	4
28	04033463	O-RING 274 X 3.53 MM	2
50	04042522	CASING,GEAR DMR80	1
51	04042540	COVER GEAR BOX	1
52	04043721	COVER,SHAFT SEAL RING	2
53	04043726	COVER,SHAFT SEAL RING	2
54	04042762	SHAFT,IMPLR 1-3,05 DMR80	1
55	04042587	GEAR,DRIVE 1-3,05 DMR80	1
56	04042788	SHAFT,SPLINED	1
57	04041754	SPACER,BEARING	1
58	04031819	DIPSTICK,OIL	1
59	04031743	CAP,OIL FILL	1
60	04033835	GASKET FOR GEAR CASING	1
61	04041862	SLEEVE,BEARING BUSH	1
62	04031836	DEFLECTOR	1
63	04033132	NUT,IMPELLER MEC50	1
64	04035114	BEARING,SKF3308ATN9/C3 NO SL	1
65	04035122	BEARING,FAG NJ306E	1
66	04035023	BEARING,SKF6207 NO SEALS	1
67	04035040	BEARING,SNR6308.J30 NO SEALS	1
68	04033263	RING,SEAL	2
69	04033426	O-RING 65.09 X 3.35 MM	2
70	04033427	O-RING 78.74 X 5.34 MM	2
71	04031427	O-RING 78.74 X 5.34 MM	2
72	04031434	KEY 8 X 7 X 35	1
73	04031577	CIRCLIP 90MM	2
74	04031572	CIRCLIP 72MM	2
75	04030310	STUD M6 X 14	8
76	04031012	NUT,M6	8
77	04031022	NUT, 10MM	2
78	04030082	BOLT, 10MM x 35MM	2
79	04031316	WASHER	2
80	04046301	GUARD,PTO SHAFT	1
81	04031722	PLUG 1/4" BSP	1
85	04054242	COIL,COOLING	1
86	04054243	TUBE, LONG COOLING - DMR80	1
87	04054244	COOLING PIPE DMR80-3/2 1000 & 540RPM	1
88	04044325	CONNECTOR,THREADED	2
89	04031797	NPPL	2
90	04031796	NPPL	1
91	04031795	NPPL	1
92	04031794	NPPL	1
93	04031772	NPPL	1
94	04031379	RESTRICTOR DMR 80	1
95	04031385	WASHER,RLS01683	2