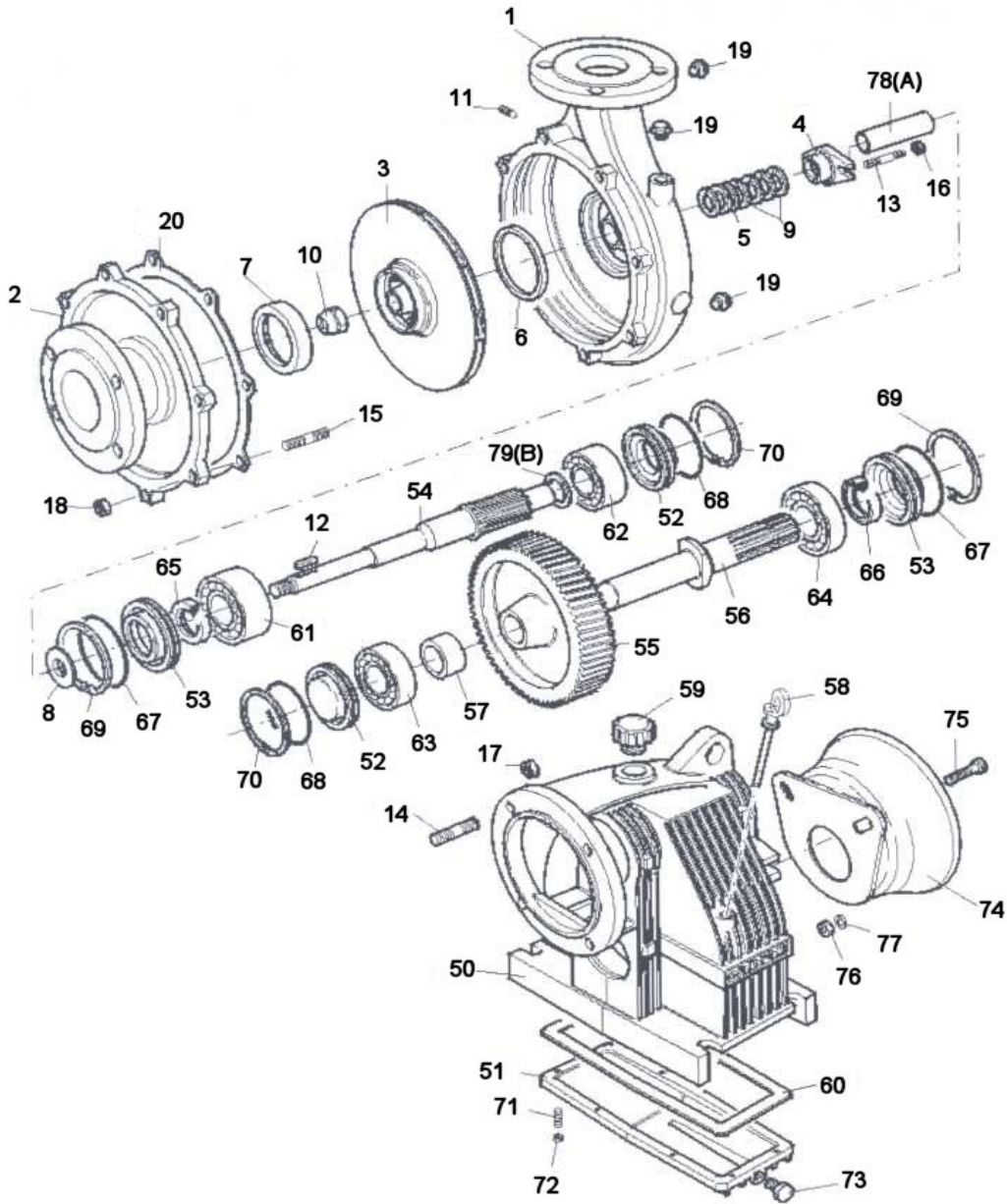


PARTS MANUAL



P/N 58602120

Item	Part Number	Description	Qty.
1	04040080	CASING,PUMP D3/65	1
2	04040391	COVER, SUCTION	1
3	04046900	IMPELLER D-3/65B	1
4	04041632	BOX,STUFFING	1
5	04033153	RING,LANTERN	1
6	04044536	RING,WEAR	1
7	04044537	RING,WEAR	1
8	04031835	DEFLECTOR	1
9	04033344	PACKING,SET OF 5	1
10	04033132	NUT,IMPELLER MEC50	1
11	04030745	SCREW,SET 10MMX12MM SPEC	1
12	04031427	KEY 6 X 6 X 30	1
13	04030394	STUD,M10X58	2
14	04030361	STUD M14 X 30	4
15	04030341	STUD,12MMX37MM	8
16	04031201	NUT,10MM	2
17	04031028	NUT,M14	4
18	04031025	NUT,M12	8
19	04031714	PLUG 3/8" BSP	3
20	04033722	GASKET FOR SUCTION CO.	2
50	04042510	CASING,GEAR	1
51	04042540	COVER GEAR BOX	1
52	04043721	COVER,SHAFT SEAL RING	2
53	04043722	COVER,SHAFT SEAL RING	2
54	04042682	SHAFT,IMPLLR 1.6,28/742	1
55	04042569	GEAR,DRIVING WHEEL	1
56	04042784	SHAFT,SPLINED	1
57	04041754	SPACER,BEARING	1
58	04031819	DIPSTICK,OIL	1
59	04031743	CAP,OIL FILL	1
60	04033835	GASKET FOR GEAR CASING	1
61	04035113	BEARING,3307ATN9/C3 NO SL	1
62	04035112	BEARING,NSK3306BTNGC3 NO SL	1
63	04035023	BEARING,SKF6207 NO SEALS	1
64	04035045	BEARING,SKF6307 NO SEALS	1
65	04033259	SEAL,OIL NOK355277	1
66	04033259	SEAL,OIL NOK355277	1
67	04033428	O-RING 73.03 X 3.53 MM	2
68	04033426	O-RING 65.09 X 3.35 MM	2
69	04031574	CIRCLIP 80MM	2
70	04031572	CIRCLIP 72MM	2
71	04030310	STUD M6 X 14	8
72	04031012	NUT,M6	8
73	04031722	PLUG 1/4" BSP	1
74	04046301	GUARD,PTO SHAFT	1
75	55070080	BOLT,10-1.5MM X 40MM	2
76	04031022	NUT, M10	2
77	04031316	WASHER, 11X23X2	2
78	04041861	SLEEVE,IMP SHAFT D3/65	1