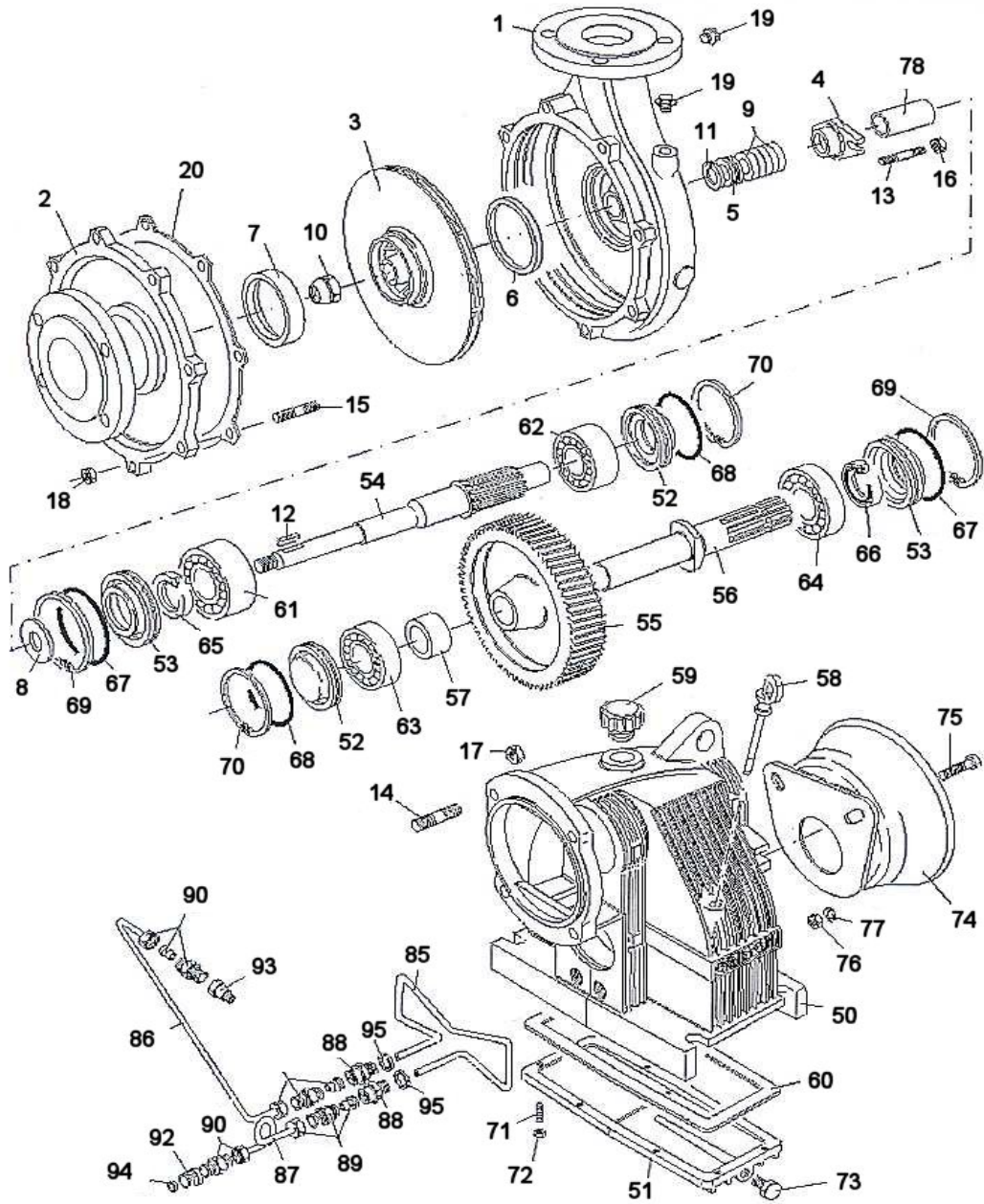


PARTS MANUAL



P/N 58602240

CONSTRUCTED 4/04/06 RC

Item	Part Number	Description	Qty.
1	04040087	PUMPCASING	1
2	04040398	SUCTION COVER	1
3	04040815	IMPELLER D3/101 & D03/100	1
4	04041633	BOX,STUFFING	1
5	04042822	RING,LANTERN	1
6	04044540	RING,WEAR	1
7	04044541	RING,WEAR	1
8	04031836	DEFLECTOR	1
9	04033345	PACKING,SET OF 5	1
10	04033133	NUT,IMPELLER MEC80	1
11	04133345	PACKING RING	1
12	04031434	KEY 8 X 7 X 35	1
13	04030394	STUD,M10X58	2
14	04030367	STUD M16 X 35	4
15	04030341	STUD,12MMX37MM	8
16	04031201	NUT,10MM	2
17	04031031	NUT,M16	4
18	04031025	NUT,M12	8
19	04031714	PLUG 3/8" BSP	3
20	04033722	GASKET FOR SUCTION CO.	1
50	04042511	CASE,GEARBOX DMR 83	1
51	04042541	GEARBOX COVER	1
52	04043723	CAP,INPUT SHAFT	2
53	04043724	CAP,IMPELLER SHAFT	2
54	04042756	IMPELLER SHAFT	1
55	04042573	GEAR,DRIVE 1-3,35 DMR83	1
56	04042785	INPUT SHAFT	1
57	04041689	SPACER	1
58	04031819	DIPSTICK,OIL	1
59	04031743	CAP,OIL FILL	1
60	04033836	GASKET FOR GEAR CASING	1
61	04035115	BEARING,IMPELLER SHAFT	1
62	04035113	BEARING,3307ATN9/C3 NO SL	1
63	04035087	BEARING,INPUT SHAFT	1
64	04035046	BEARING,INPUT SHAFT	1
65	04033275	SEAL,OIL NOKTC456281	1
66	04033275	SEAL,OIL NOKTC456281	1
67	04033432	O-RING	2
68	04033428	O-RING 73.03 X 3.53 MM	2
69	04031580	CIRCLIP 100MM	2
70	04031574	CIRCLIP 80MM	2
71	04030315	STUD M8 X 18	8
72	04031017	NUT,M8	8
73	04031722	PLUG 1/4" BSP	1
74	04046302	GUARD - PTO SHAFT	1
75	04030085	BOLT - GUARD	2
76	04031022	NUT	2
77	04031316	WASHER	2
78	04041862	SLEEVE,BEARING BUSH	1
85	04054240	COOLING COIL	1
86	04054239	COOLING PIPE	1
87	04054238	COOLING PIPE	1
88	04044325	CONNECTOR,THREADED	2
89	04031797	NPPL	2
90	04031795	NPPL	2
92	04031794	NPPL	1
93	04031799		1
94	04031379	RESTRICTOR DMR 80	1

95	04031385	WASHER,RLS01683	2
----	----------	-----------------	---