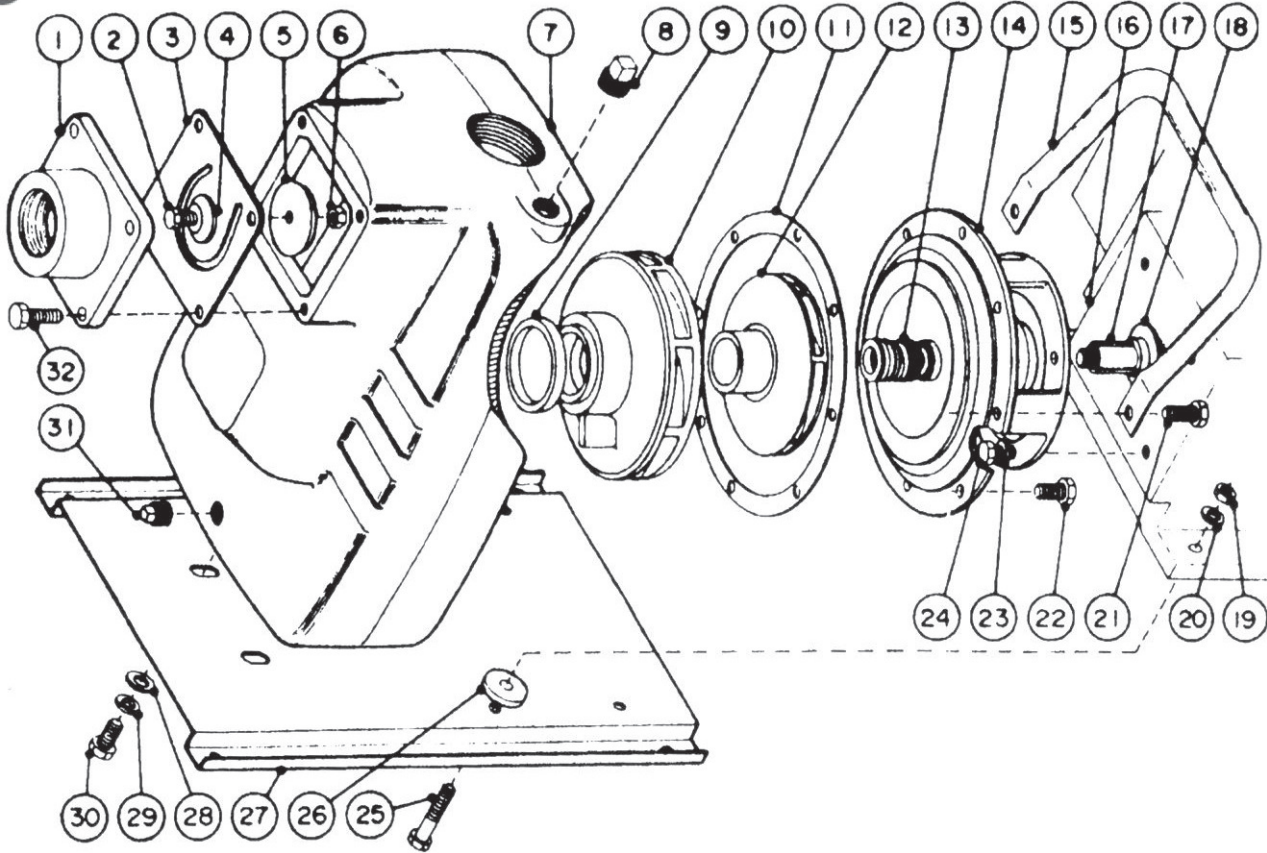




# 9.0 HP Self Priming Booster Pump Break down



No.	Part Number	Description	Qty.
1		VALVE BODY - MONARCH SELF PRIME	1
2		BOLT, 1/4" UNC X 5/8" SST	1
3	51000190	CHECK VALVE FOR 9HP SELF PRIMER	1
4		BOTTOM WEIGHT - MONARCH SELF PRIME	1
5		TOP WEIGHT - MONARCH SELF PRIME	1
6		NUT, 1/4" UNC SST	1
7	50305110	CASING, PUMP - MONARCH SELF PRIME	1
8		PIPE PLUG, 3/4" NPT	1
9	51000200	DIFFUSER RING 9HP SELF PRIMER	1
11	50305120	GASKET, PUMP - MONARCH SELF PRIME	1
13	59402530	SEAL,MECHANICAL3/4"MNRCH	1
17	59504170	SLEEVE,3/4X1.6" 5.5HP	1
18	59402500	FLINGER 1-1/4X3/4X1-1/16	1
19		Nut, 5/16"UNC Zn. Pl.	4
20		Spring Washer, 5/16" Zn. Pl.	4
21		Bolt, 3/8"UNC x 1" Zn. Pl.	2
22		Bolt, 3/8"UNC x 7/8" Zn. Pl.	6
23		Spring Washer, 5/16" Zn. Pl.	4
24		Bolt, 5/16"UNC x 3/4" Zn. Pl.	4
25		Bolt, 5/16"UNC x 2-3/4" Zn. Pl.	4
28		Plain Washer, 3/8" Zn. Pl.	2
29		Spring Washer, 3/8" Zn. Pl.	2
30		Bolt, 3/8"UNC x 7/8" Zn. Pl.	2
32		Bolt, 3/8"UNC x 1" Zn. Pl.	4