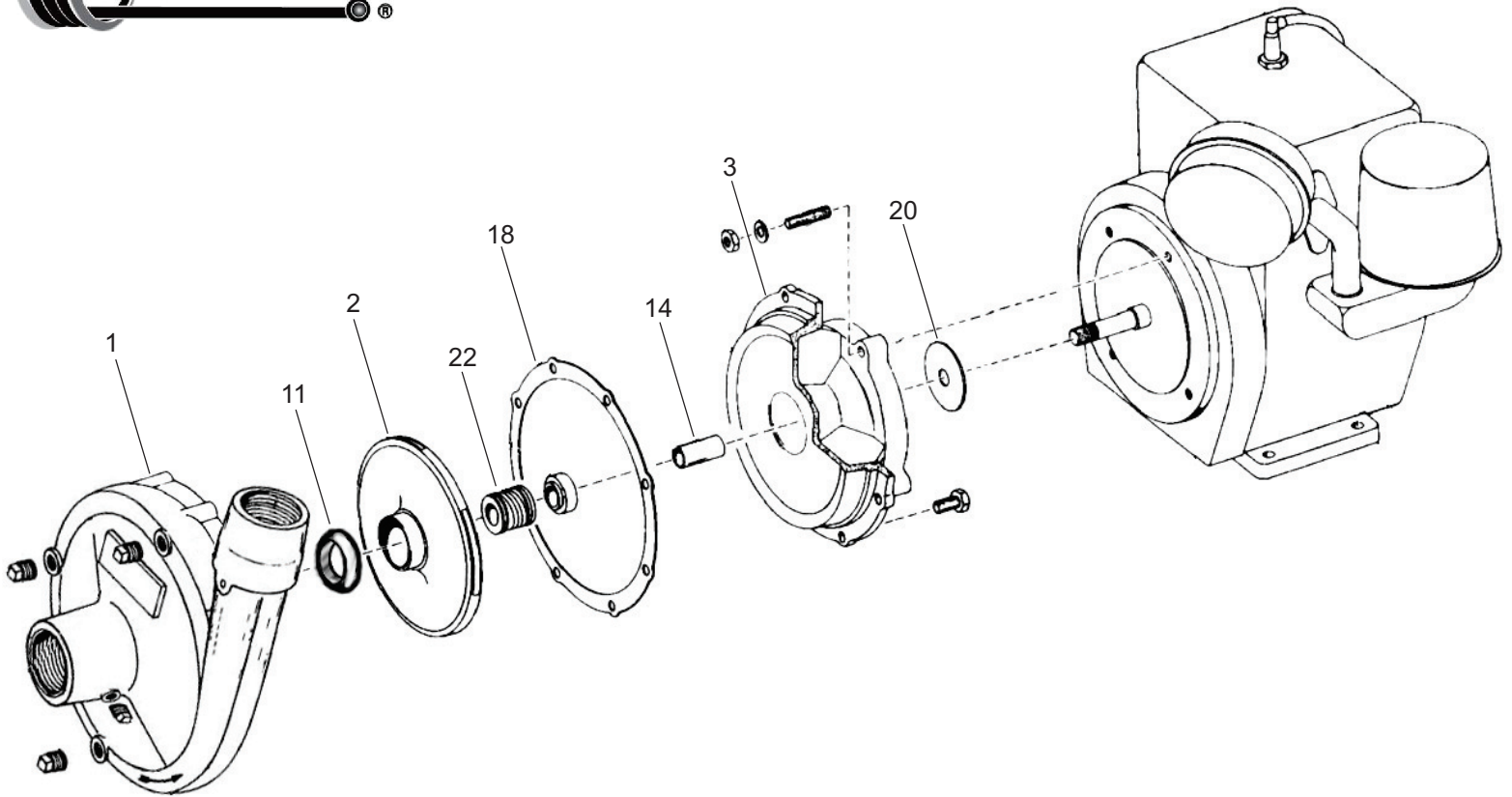




## 23 HP Booster Pump Break Down



No.	Part Number	Description	Qty.
1		CASING, MONARCH - 23HP BOOSTER	1
2		IMPELLER, 8.75" - MONARCH - 23HP BOOSTER	1
3		ENGINE ADAPTOR, - MONARCH - 23HP BOOSTER	1
11		WEAR RING	1
14		SLEEVE	1
18		GASKETR	1
20		FLINGER	
22		MECH SEAL	1