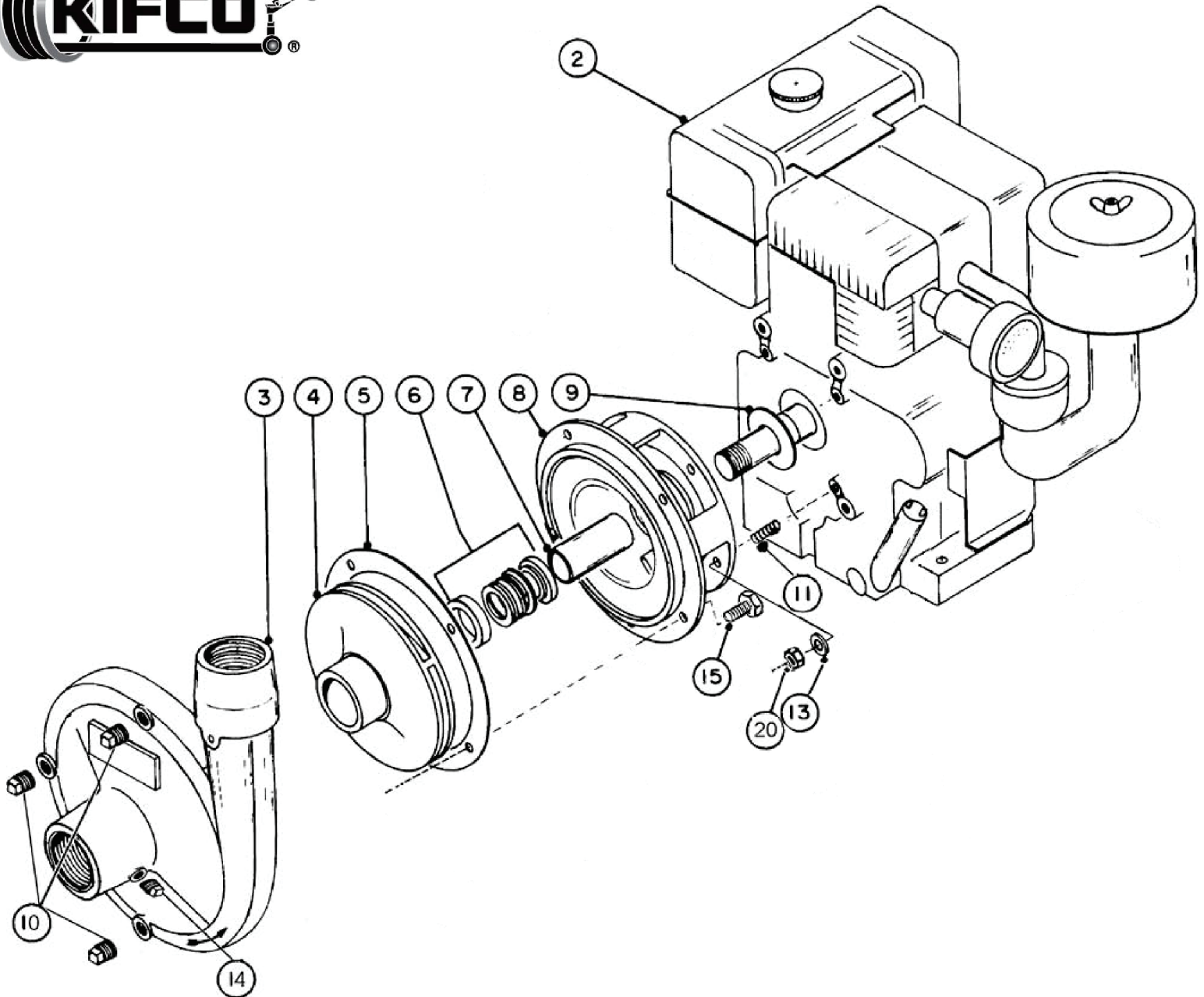




18 HP Booster Pump Break Down



No.	Part Number	Description	Qty.
2		ENG,HONDA 18HP THREADED PUMP SHAFT	1
3	51000600	CASING, 2-1/2 X 2-1/2, 18HP PUMP	1
4	50802960	IMPELLER, 7.5 X 1" KEY SHAFT 18HP	1
5	51000610	GASKET, 18HP PUMP	1
6	59402531	SEAL,MECHANICAL 1-1/4"	1
7	59504171	SLEEVE,1-1/4 X 2.1" 8-1/2/9HP	1
8	51000620	ADAPTOR, 18HP PUMP	1
9	59402501	FLINGER, 8-1/2 AND 9 HP PUMPS	1
10		DRAIN PLUG	1
11		STUD	4
13		WASHER, LOCK	4
14		DRAIN PLUG	1
15		BOLT	4
20		Nut	4