



**Turbine Drive Water-Reels®
Engine Drive Slurry-Reels**

T37A

E37A

Parts Manual

Serial No. 290,000 - 290,999



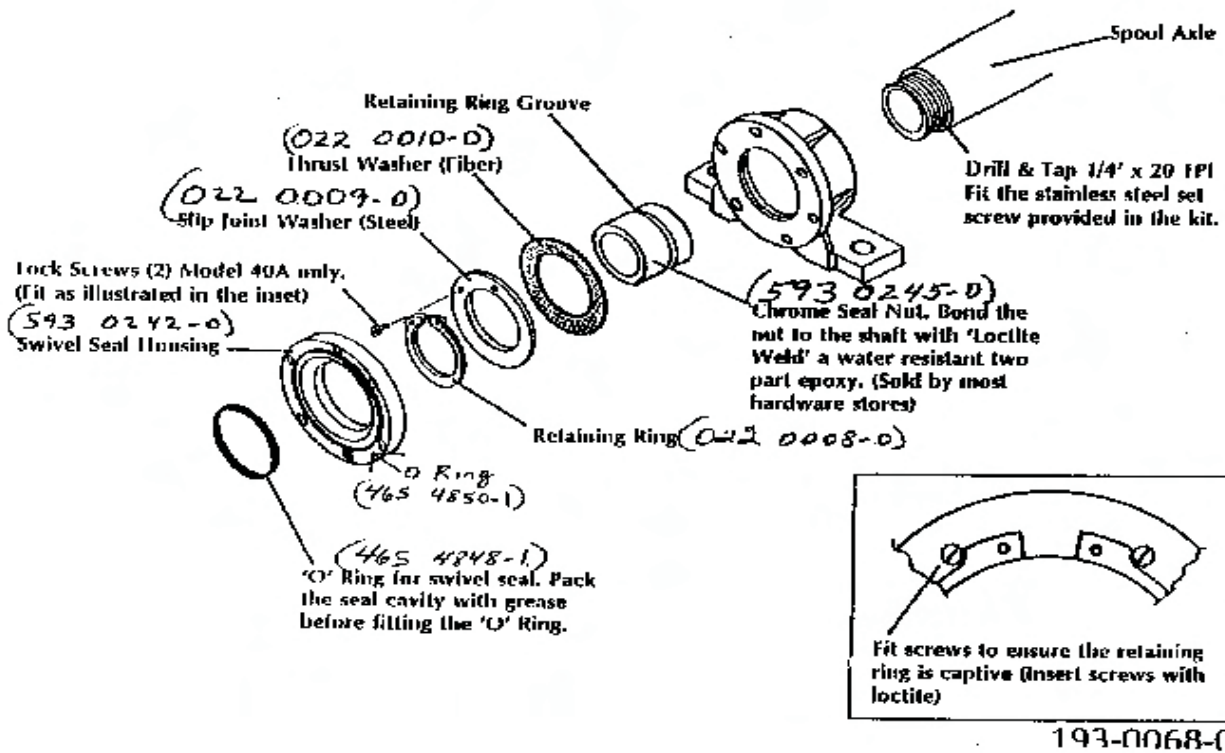
AG-RAIN®

700 S. Schrader Ave.
Havana, Illinois 62644
Phone: 309-543-4425 Fax 309-543-4945

Swivel Seal Assembly Instructions. Models 37A

July 20, 1994

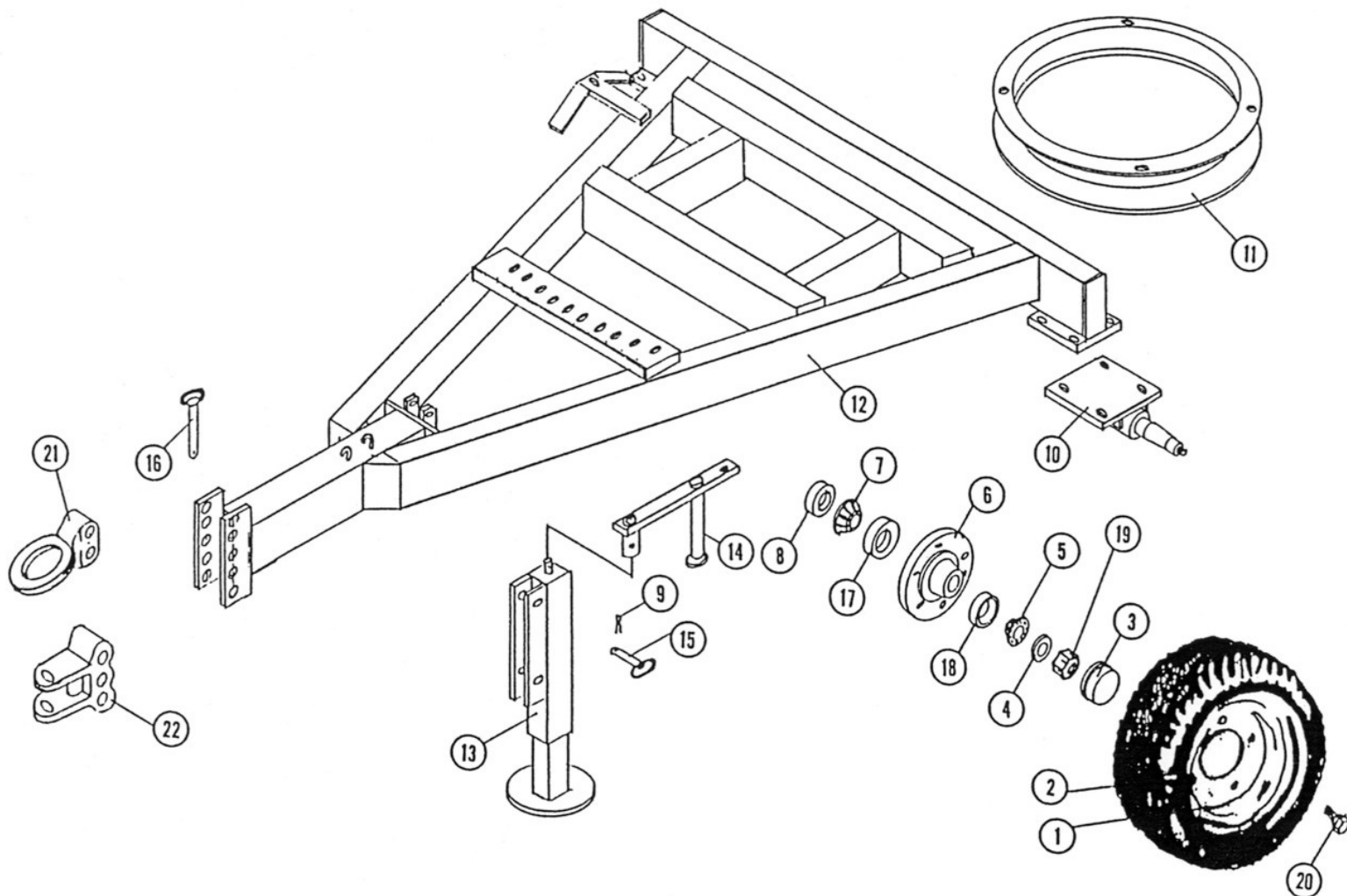
990 7016-1



For Parts that are described as "Left" or "Right" the water inlet side of the machine is considered the right side

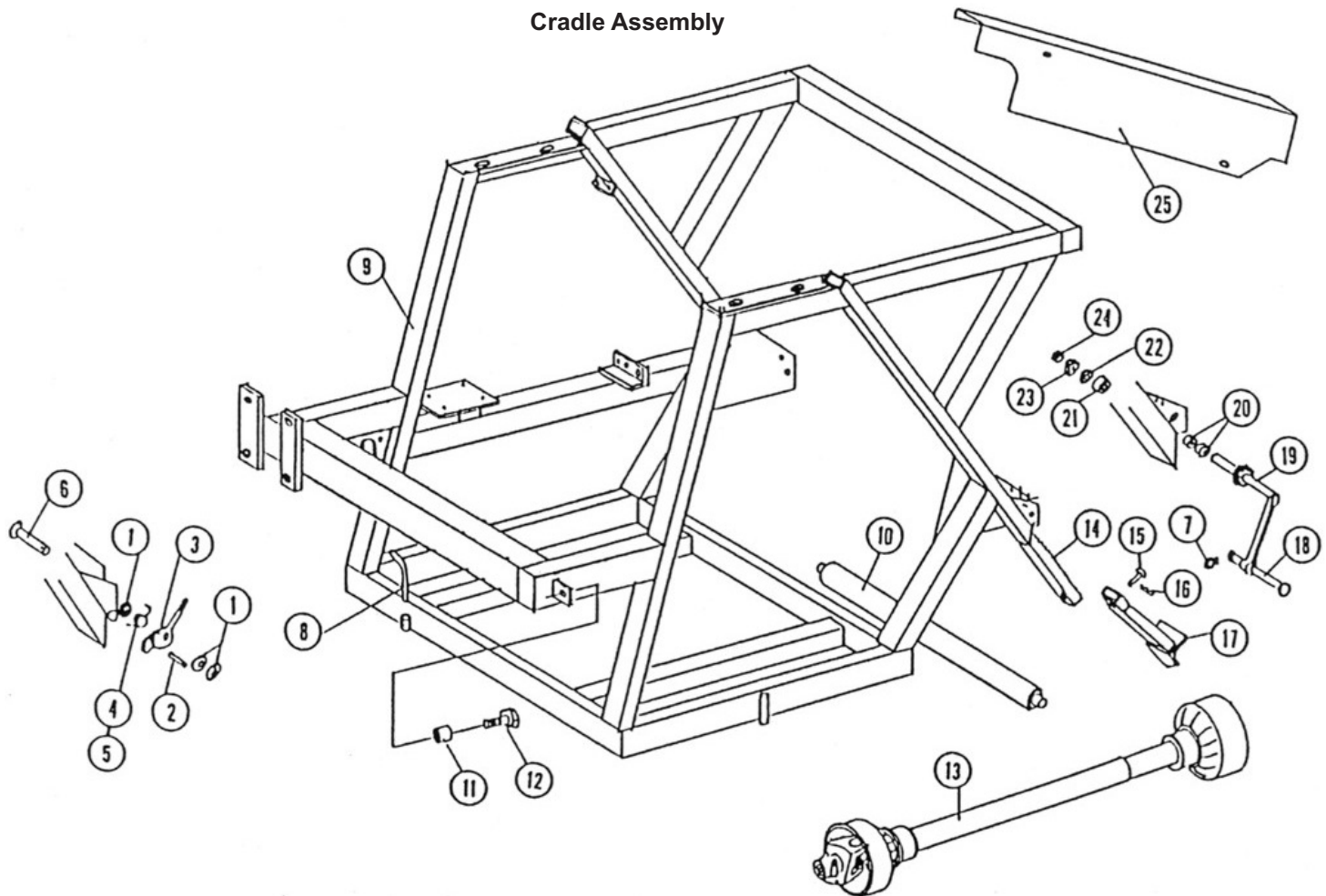
Items Such as common fasteners, grease fitting, and other small parts easy to acquire locally are not listed.

Running Gear Assembly



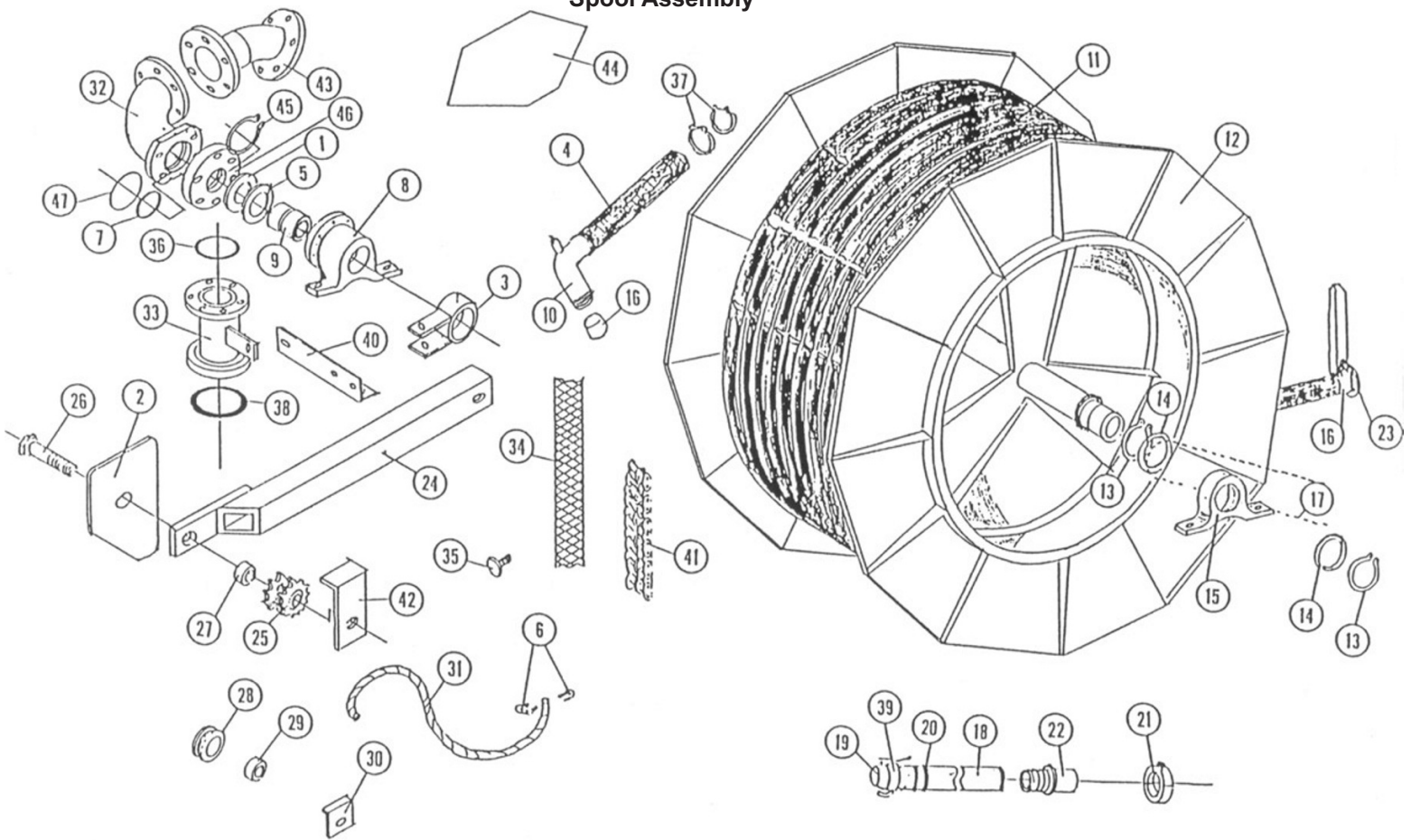
No.	Part Number	Description	Oty.
1a	22750131	WHEEL, 15X8LB 6BOLT 6"BCD	2
1b	52651381	WHEEL, 15X10 6BOLT 6"BCD	2
2a	52655310	TIRE 11L-15 12 PLY	2
2b	52651370	TIRE, 12.5L-15 12 PLY	2
3	58902060	HUB CAP 615-21600#909903	2
4	58902080	WASHER, SPINDLE WILTON # 912952	2
5	58902040	BEARING, TIMKEN LM25877	2
6	22615982	HUB ASSY, 6BOLT W803	2
7	58902030	BEARING, TIMKEN LM25590	2
8	58902050	SEAL, CR20148	2
9	56102040	PIN, HAIR .118DIAX2-11/16	2
10	58803971	AXLE, T-37-40	2
11	02099554	BEARING	1
12	59202320	CHASSIS, FF1 - LOW TONGUE WEIGHT	1
13	58403300	JACK, TONGUE 41,45, T27-T40	1
14	58403450	CRANK, JACK	1
15	55832811	PIN, HITCH 3/4X4-1/8 ZN	1
16	52358660	PIN, HITCH 3/4 X 6-1/2	1
17	58902000	RACE, INNER LM25520	2
18	58902010	RACE, OUTER 25821	2
19	58902070	NUT, SLOTTED 7/8 WIL912952	2
20	58902020	LUG BOLT 9/16 X 1.12	12
21	58402131	HITCH, PINTEL 3" AJT	1
22	58402130	HITCH, CLEVIS DICO 18078	1
	58403309	BEARING, THRUST-THURSTON JACK (not shown)	1

Cradle Assembly



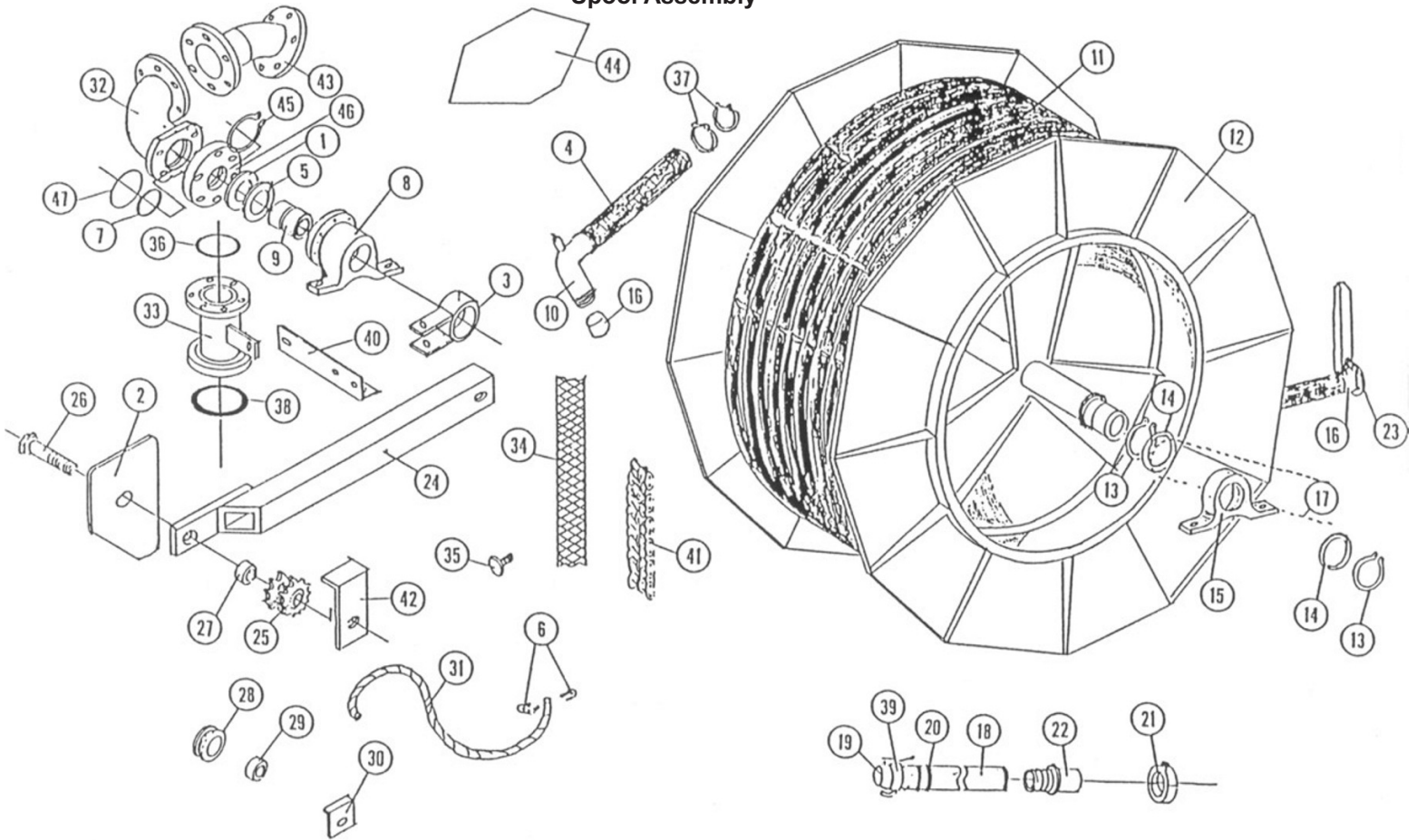
No.	Part Number	Description	Qty.
1	55317331	BUSH,MACH 1-3/8X7/8X14GA	4
2	02099026	PIN, STABILIZER	2
3a	59202930	Pawl, Right	2
3b	59202940	Pawl, Left	2
4	02099028	SPRING,RIGHT	1
5	02099029	SPRING,LEFT	1
6	02200000	Pin	2
7	52662540	RING,RET EX	2
8	52358660	PIN,HITCH 3/4 X 6-1/2	1
9	59202210	Cradle	1
10	02002794	ROLLER,HORIZONTAL BASE G	1
11	55803110	Tube, PTO Mount	2
12	55049181	BOLT,3/4 X 3 HEAVY HEX	2
13	30036044	SHAFT,PTO60"OAL#1 BUSH	1
14a	02200020	STAB. LEG 37, RT	1
14b	02200030	STAB. LEG 37, LT.	1
15	02099053	PIN	2
16	56102040	PIN,HAIR .118DIA X2-11/16	1
17a	02200040	FOOT,STABILIZER LEFT 37	1
17b	02200050	FOOT,STABILIZER RIGHT 37	1
18	02099048	HANDLE	2
19	02200060	CRANK	2
20	02099056	BEARING,BRZ	4
21	02099059	SPRING, RUBBER STABILIZER	2
22	02099049	WASHER	2
23	02099058	NUT	2
24	55170011	NUT,10-1.5MM NYLOC	2
25	59901460	GAUGE PROTECTOR	2
	59403170	EXTENSION FOOT	2

Spool Assembly



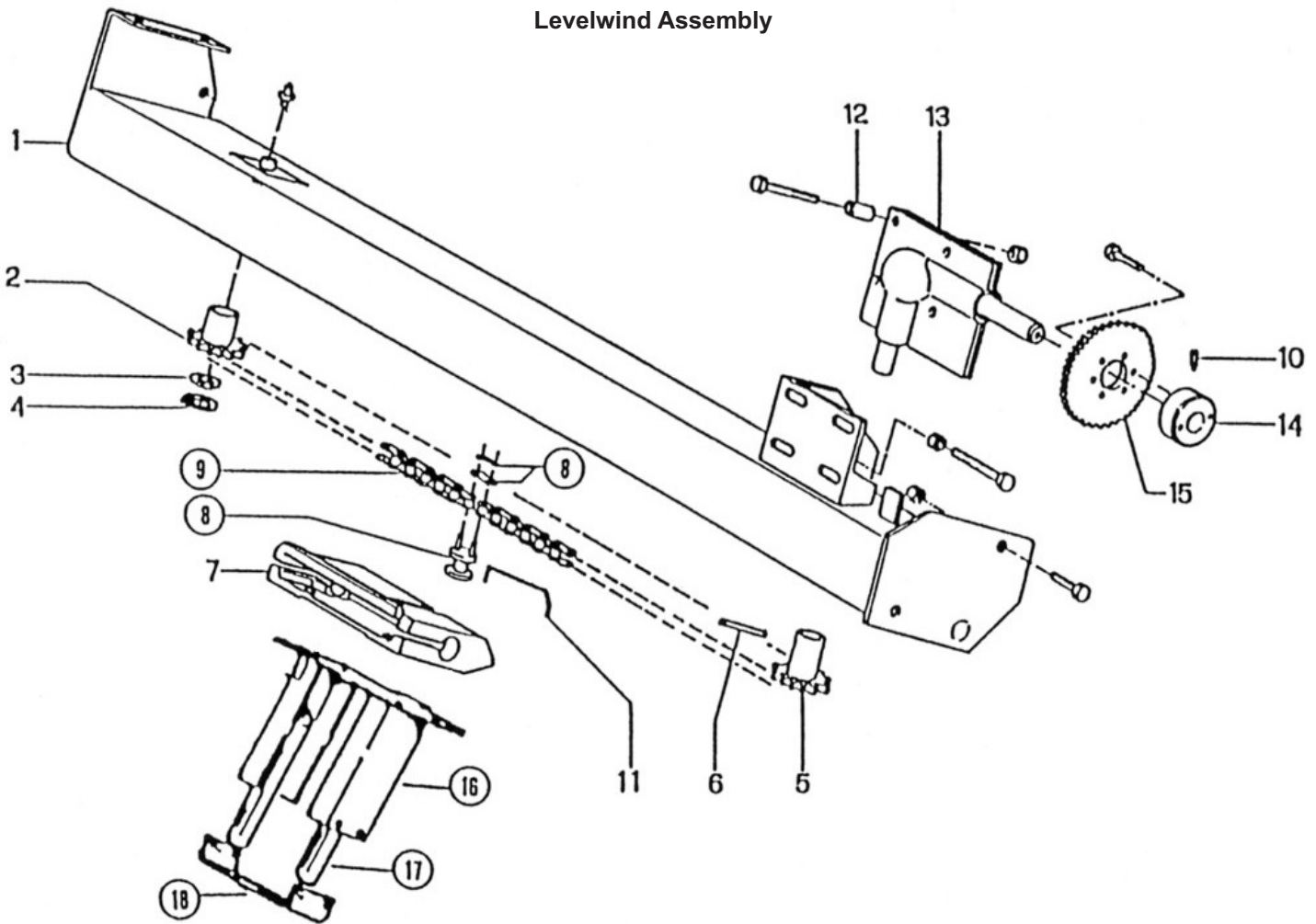
No.	Part Number	Description	Oty.
1	02200090	WASHER,SLIP JOINT	1
2	58804690	GUARD PLATE, IDLER	3
3	58801033	BEARING, IDLER ARM T37	1
4	02099111	HOSE 100 X 118MM, 33" LONG	1
5	02200100	RING,ANTIFRICTION	1
6	56048450	CLAMP,SCREW 7/32X5/8	1
7	46548481	O-RING 4-3/4X4-1/4 90DURO	1
8	02200130	BEARING,FLANGED FF1 (AG6-7)	1
9	59302450	NUT,SLIP JOINT, FF1, AG7 AR7	1
10	02003107	ELBW,110MM TUBE	1
11	58401739	TUBE,PE 110MM 3.7 ID PER FOOT	
12	58900866	Spool	1
13	02099061	SNAP RING E-110	2
14	02200140	Spacer	1
15	02200150	BEARING,SPOOL FF1,37	1
16	02099115	BAND, HOSE 110MM	1
17	87548450	CHAIN,#40 ROLLER PER FT	ft. 11.1
18	25249620	HOSE, IRR SUPPLY REMNANT 4"(PERFT)	ft. 30
19	58802561	HOSE END OUTLET - 4" BALL	1
20	03019240	SUPRA CLAMP 104MM-112MM	4
21a	40049270	BAND,RING LOCK 4 IN	1
21b	40049272	BAND,RING LOCK 6"	1

SPOOL Assembly



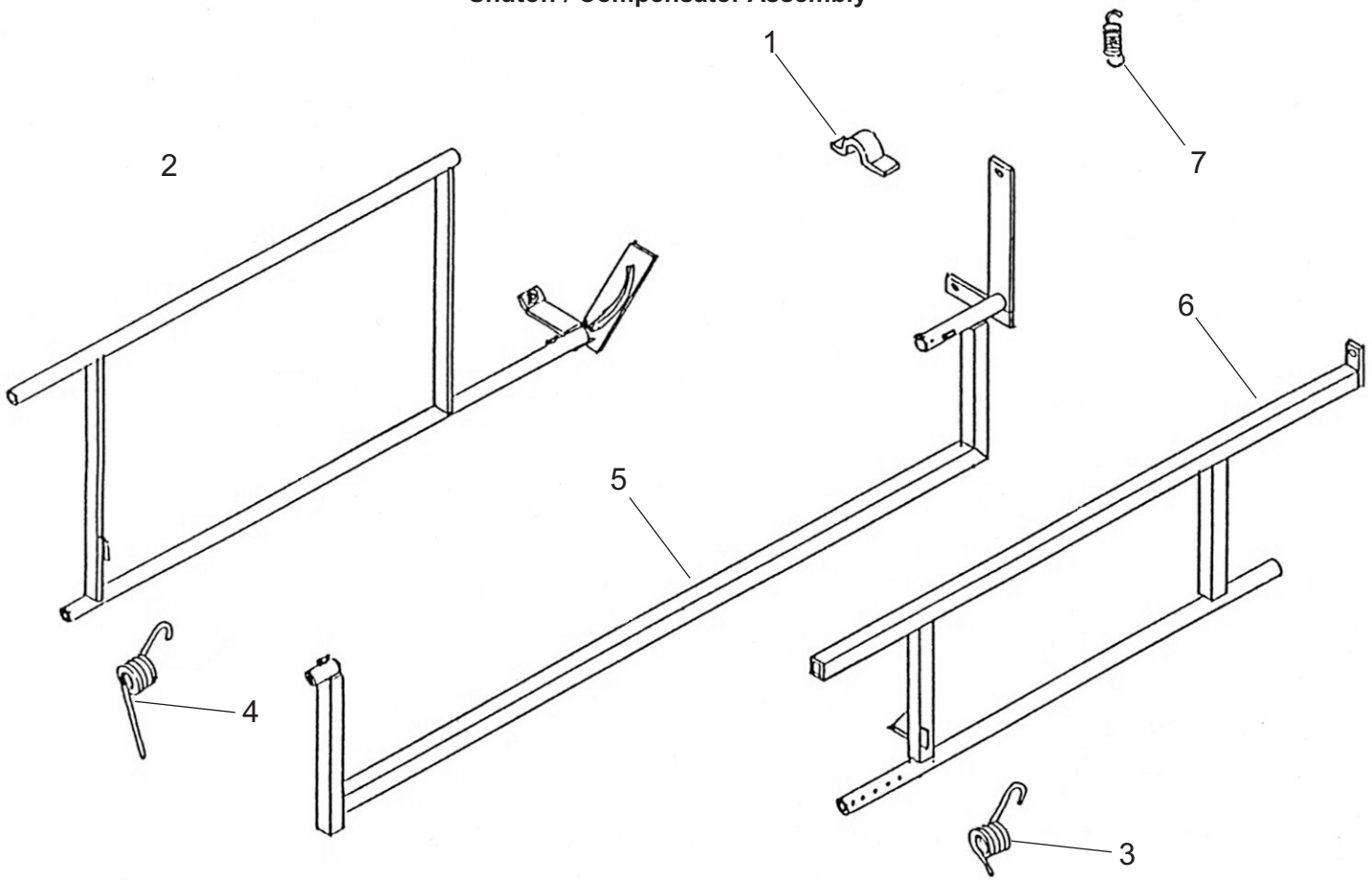
22a	58802660	HOSE END INLET 4	1
22b	59302600	END,HOSE 4"HOSE6"RNG-LOCK	1
23	59400070	STOP BAR 37 (TUBE END)	1
24	59202190	ARM,IDLER T-37	1
25	88048611	IDLER,60-2 W/BUSH	1
26		Bolt, 5/8 x 5	1
27	58803790	SPACER,IDLER	1
28	40249060	PLLY,WRP17/32X2X7/8B STL	1
29	32551910	BUSH,STL.843X.56X.62L	2
30	58606210	CABLE RETAINER	2
31	75048440	CABLE,1/4-7X19 GAC PER FT	ft. 1
32	59400572	Elbow	1
33	58801553	FITTING,ENTRY T30&T37	1
34	52654188	BELTING 40 2.2 X 29 FT	1
35	52357180	BOLT,STEP 5/16 X 1 GR2	12
36	46546680	O-RING 5-1/8 X4-5/8 X1/4	1
37	03018140	SUPRA CLAMP 112MM-121MM	4
38	58800233	SEAL RING 4" 6-3/8 OD X 9/16	1
39	58800231	LEVER RING 4" 451 108MM	1
40	58801683	Brace Entry Fitting	1
41a	30248611	LINK,#60-2 DBL WD CNNCTR	1
41b	30248621	LINK,#60-2 DBL WD OFF-SET	1
41c	87548471	CHAIN,#60-2DW RLLR PER FT (432 Rollers)	ft. 30
42	58804700	GUARD,IDLER	1
43	59204380	ELBW,T-37	1
44	59300391	SHIELD,37A SPOOL	6
45	02099061	SNAP RING E-110	1
46	02208501	SEAL KIT,UNIVERSAL-FF1/AR6/7 27K+	1
47	46548501	O-RING 5-3/4X5-1/2X1/8	1

Levelwind Assembly



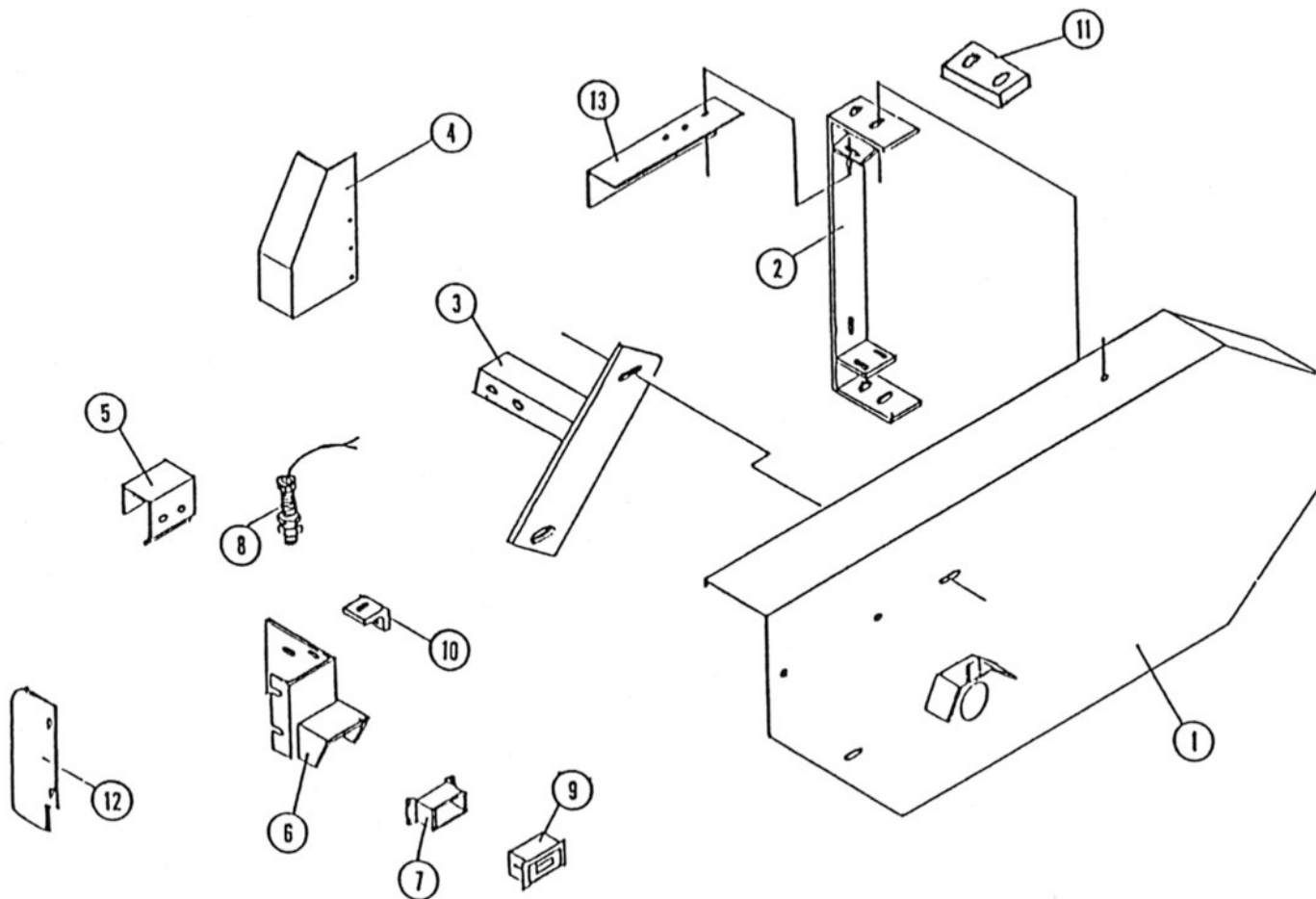
No.	Part Number	Description	Oty.
1	02200160	FRAME,HOSE GUIDE	1
2	02099148	SPRKT,IDLER Z10 1" PITCH 25MM BORE	1
3	55306280	BUSH,MACH 1-1/2X1X18GA	1
4	52662540	RING,RET EX	1
5	02209040	SPROCKET, 10 TOOTH 1.0" PITCH	1
6	58902140	PIN,SPRING 7MM X 45MM	1
7	02000141	SUPPORT,FORK	1
8	02099143	LINK,HOSE GUIDE	1
9	02004865	CHAIN 112 ROLLER OF 1"	1
10	02000152	SCREW,12MMX25MM DOGPOINT(7.5MM DIA)	1
11	02000776	CLIP,RETAINING	1
12	02200200	SPACER, GEARBOX - A-SERIES	1
13	02001085	GEARBOX,RIGHT ANGLE	1
14	02000153	HUB, SPROCKET	2
15	02099158	SPRKT,1/2 X 36 TOOTH	1
16	02004159	FORK, 110MM - FF1 18.89" LONG	1
17	02004861	ROLLER,VERTICAL SPECIAL	2
18	02004146	STRAP, FORK PE TUBE RETAINER - FF1	1
19	02201040	LEVELWIND ASSY, COMPLETE FF1/FG1	1

Shutoff / Compensator Assembly



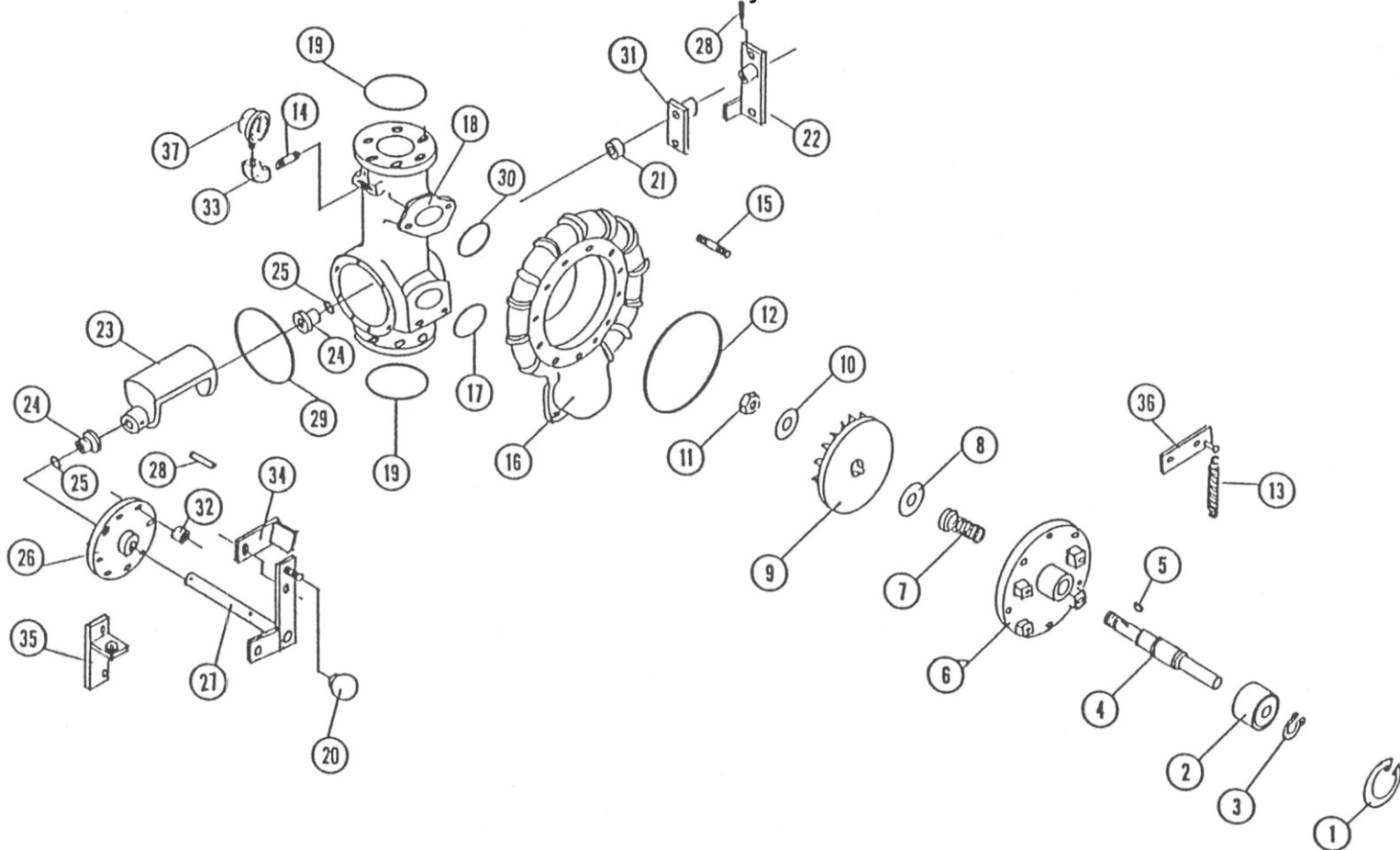
No.	Part Number	Description	Oty.
1	02000164	RETAINER	2
2	59202120	BAR,COMP T-37	1
3	45050000	SPRING,SAFETY BAR	1
4	02200166	SPRING, COIL - SHUT OFF	1
5	58804372	BAR,SHUT OFF T-37	1
6	59300620	BAR, SAFETY - 37A	1
7	45016330	SPRING TNSN 7/8X7 PLTD	1

Shield Group



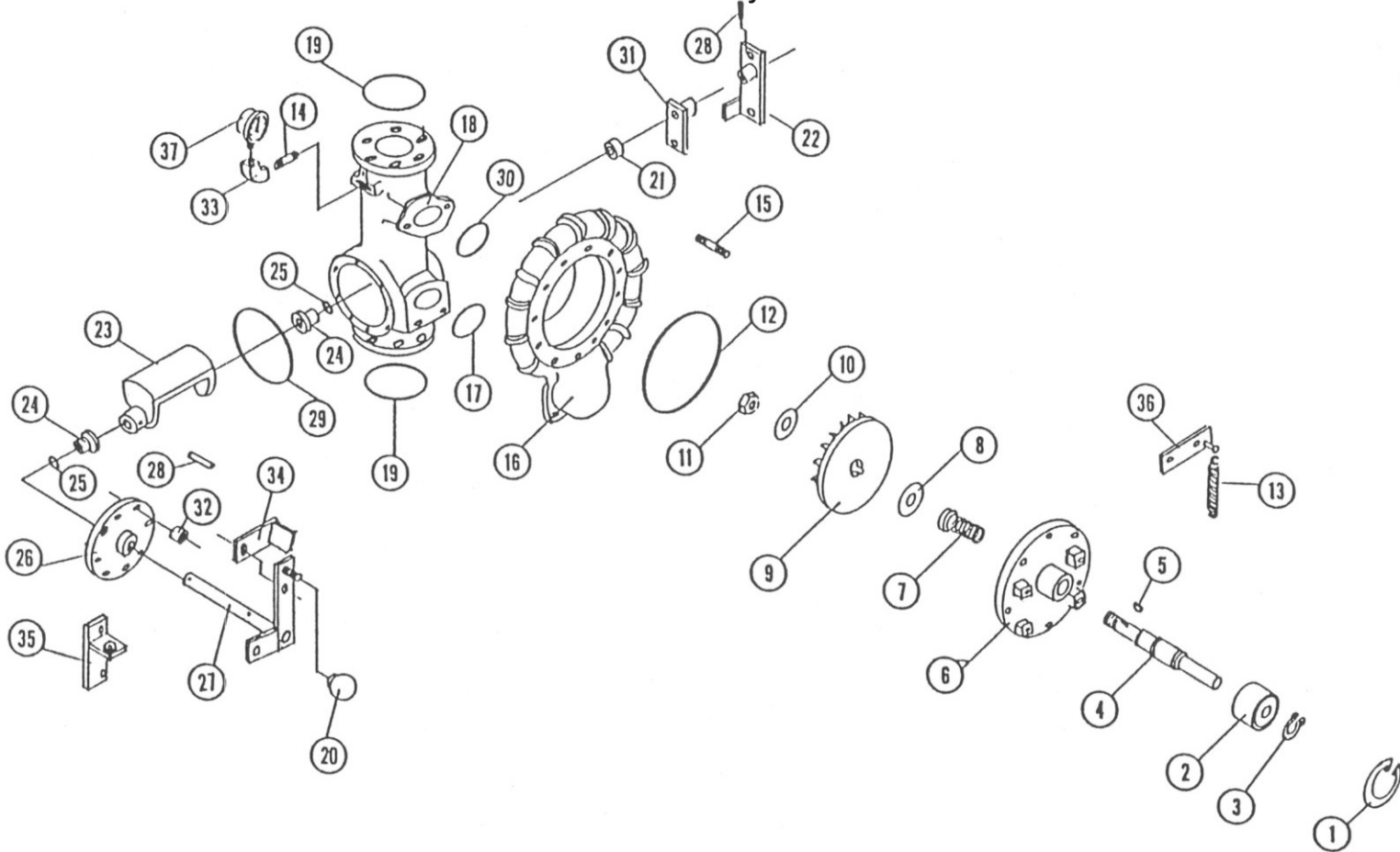
No.	Part Number	Description	Oty.
1	58802386	GUARD, 37A (280052-299999)	1
2	59300900	Bracket, Front Guard	1
3	59300920	Bracket, Rear Guard	1
4	58804680	GUARD,FINAL CHAIN	1
5	58802410	GUARD,BELT ALL T SERIES	1
6	58804712	GUARD,W/TACH SHIELD	1
7	58804671	CASE,BASE MT BMK-2 RDLIN	1
8	58804660	PICK UP,TACH RD LIONMP62A	1
9a	58804650	TACH DSPLY RD LION DITAK5	1
9b	58804661	BATTERY, BNA-00-000/D	2
10	58902090	Mount, Tachometer Sensor	1
11	59000290	Spacer, Guard Mounting	1
12	59000140	Guard, Stabilizer Crank	2
13	59203460	Shield	2

Turbine Assembly



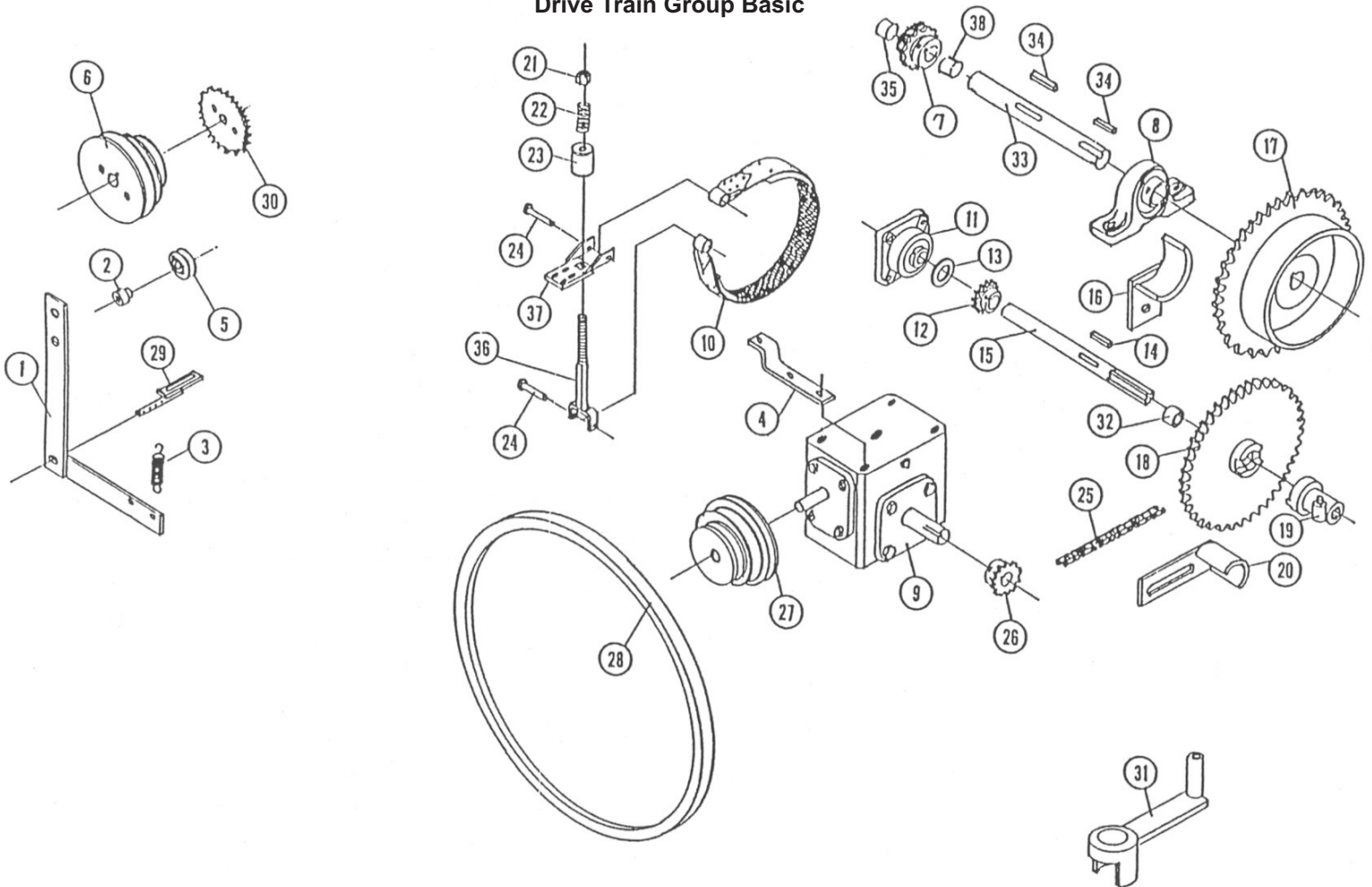
No.	Part Number	Description	Qty.
1	52662530	RING,RET IN	1
2	52663290	BEARING,DBL W5205-2RS .937	1
3	52662540	RING,RET EX	2
4	51648535	SHAFT,RNR LNG KW 6.9 OAL	1
5	58401120	KEY,WOODRUFF3/16X3/4NIALY	1
6	27733554	FACE PLATE 200/400 3/4SEA	1
7	58401111	SEAL,MECH 3/4"ID CERAMIC	1
8	58401130	BUSH,MACH 1X5/8X18GA	1
9	27733565	RUNNER, .9X 7.45 W/K.W.	1
10	58401140	BUSH,MACH 1X5/8X14GA	1
11	55248440	NUT,JAM NF 5/8 NYLON INSERT PLATED	1
12	46548510	O-RING 7-11/16X7-1/2X3/32	1
13	45035360	SPRING TNSN 1 X 6 PLATED	1
14	52513972	NPPL,BR 1/4 X 2-1/2	1
15a	55035390	STUD,SS 3/8-16X2-1/8 SPEC	8
15b	55448453	WASHER,LOCK SS 3/8	8
15c	55101733	NUT,SS 3/8	8
16	27748631	VOLUTE, PP200 (W/STUDS)	1
17	46548480	O-RING 4-5/8 X4-1/8 X1/4	1
18	27648512	DIVERTER,BTTM ENT 200/400	1
19	46546680	O-RING 5-1/8 X4-5/8 X1/4	2

Turbine Assembly



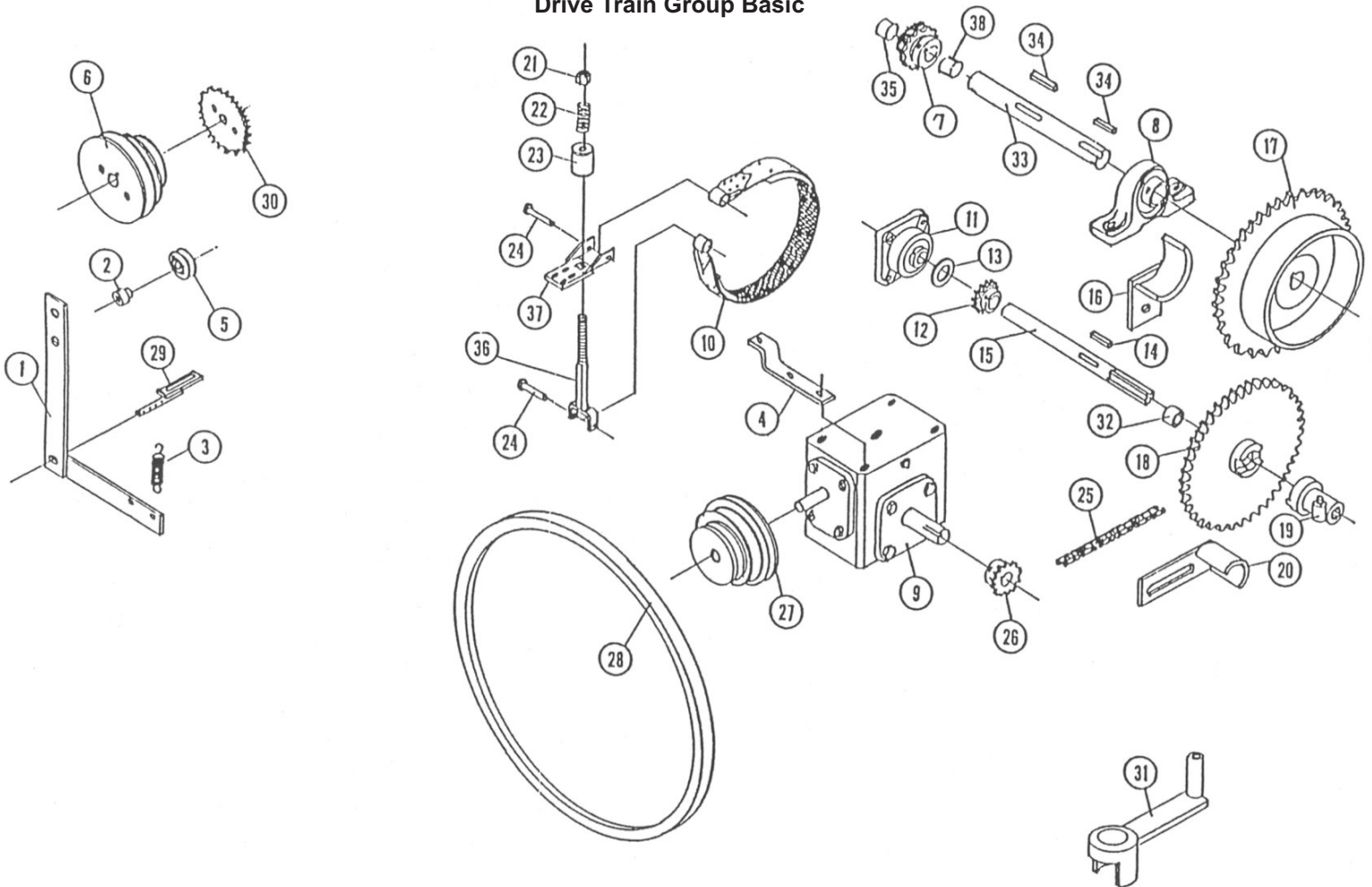
No.	Part Number	Description	Oty.
20	30249150	KNOB,BALL 3/8-16 FEMALE THREADS	1
21	51348451	COLLAR,SET 3/4"	1
22	58505451	ARM,SHUT OFF	1
23	27734061	GATE, 200/400	1
24	51135100	BEARING,O FL .87X.75X.75 LNG	2
25	46534020	O-RING 7/8X3/4X1/16	2
26	27648471	PLATE,COVER 200/400	1
27	99070272	KIT,GATE SHAFT	1
28	55636330	PIN,SPRING 7/32 X 1-1/2	1
29	46548500	O-RING 5-15/16X5-3/4X3/32	1
30	46548490	O-RING 4-1/4 X3-3/4 X1/4	1
31	58505640	ARM,COMP	1
32	58505530	BUSH,STL 5/8X.35X.56 OAL	1
33	52508311	ELBW,BR 1/4X90DEG	1
34	58505510	LATCH	1
35	58804141	GATE SHAFT STOP PP-2 &400	1
36	58506090	MOUNT,SPRING	1
37	58606750	GAUGE, PRESS 0-300	1

Drive Train Group Basic



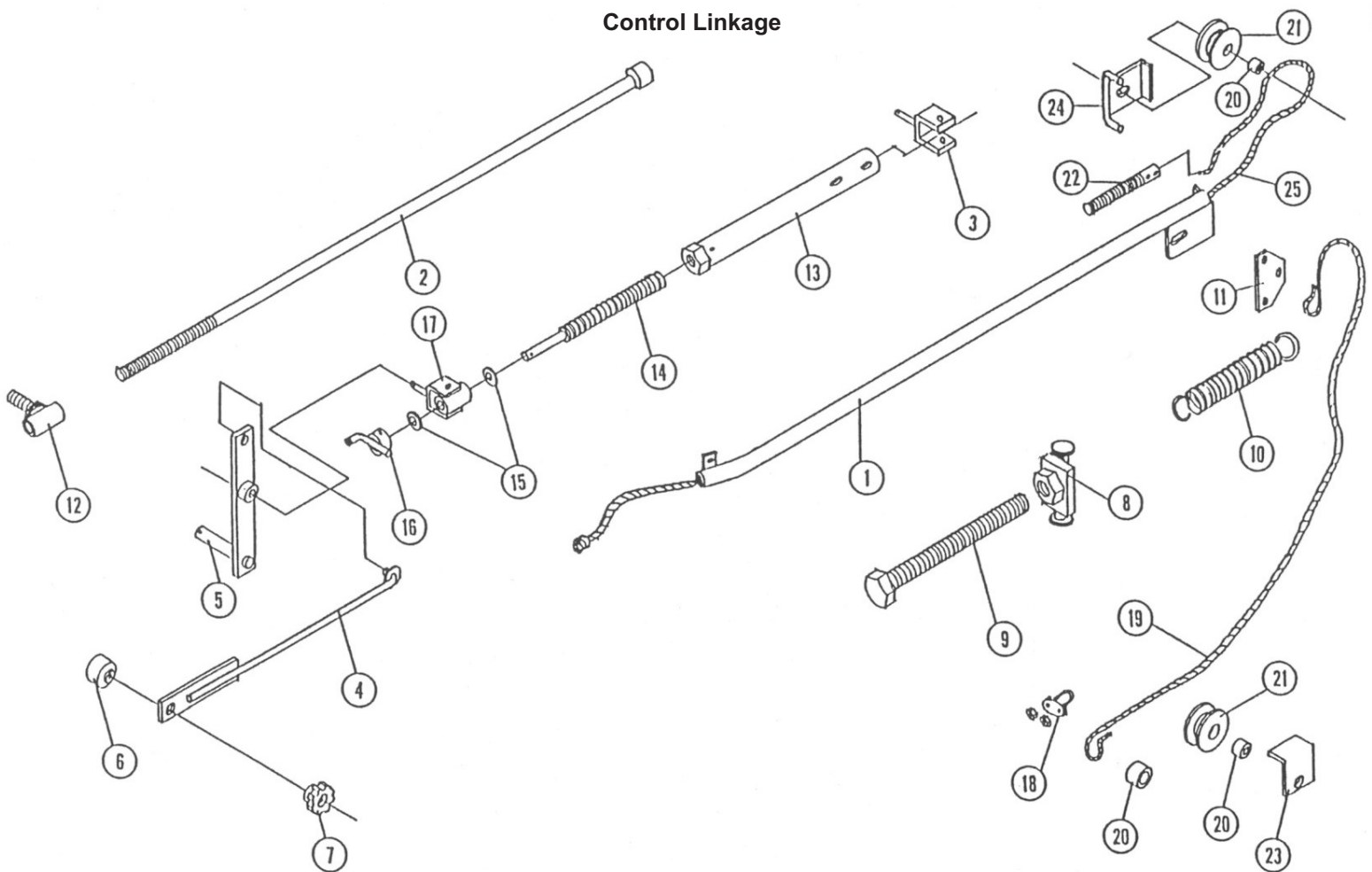
No.	Part Number	Description	Oty.
1	58801593	Idler Arm	1
2	58606130	BUSH,SHOULDERSB0003 EFSON	1
3	45035360	SPRING TNSN 1 X 6 PLATED	1
4	58801740	BRKT,IDLER SPRING	1
5	58606120	PLY,IDLER W/O 1/2" SLEEVE	1
6	58900580	PLY,STEP5/8B W/THD HOLES	1
7	88048842	SPRKT,60-2B18 2-1/4B DBBL	1
8	52651890	BEARING,PLLW BLCK 2-1/4"	2
9	58802861	GEARBOX,WORM20-1ASYJ 726B	1
10	59203080	BAND,BRAKE 10 IN	1
11	58408070	BEARING,FLANGE 4 HOLE 1-3/8	2
12	58405240	SPRKT,60B14 1-3/8 BORE	1
13	55302540	BUSH,MACH 2-1/8X1-3/8X10G	3
14	52657930	KEY, 5/16 X 1-1/2 RD ENDS	1
15	58405190	SHAFT,CLUTCH	1
16	58801111	IDLER	1
17	59203050	SPRKT,BRAKE 60B54 2-1/4B	1
18	52651750	SPRKT,CLUTCH 50-54	1
19	52651840	CLUTCH,PTO SNAP	1
20	58801100	SLIDE,40 IDLER	1
21	55248450	NUT,NYLOCK 1/2	1
22	45048450	SPRING TNSN.67IDX3-1/8PLT	1
23	59203710	CAP	1

Drive Train Group Basic



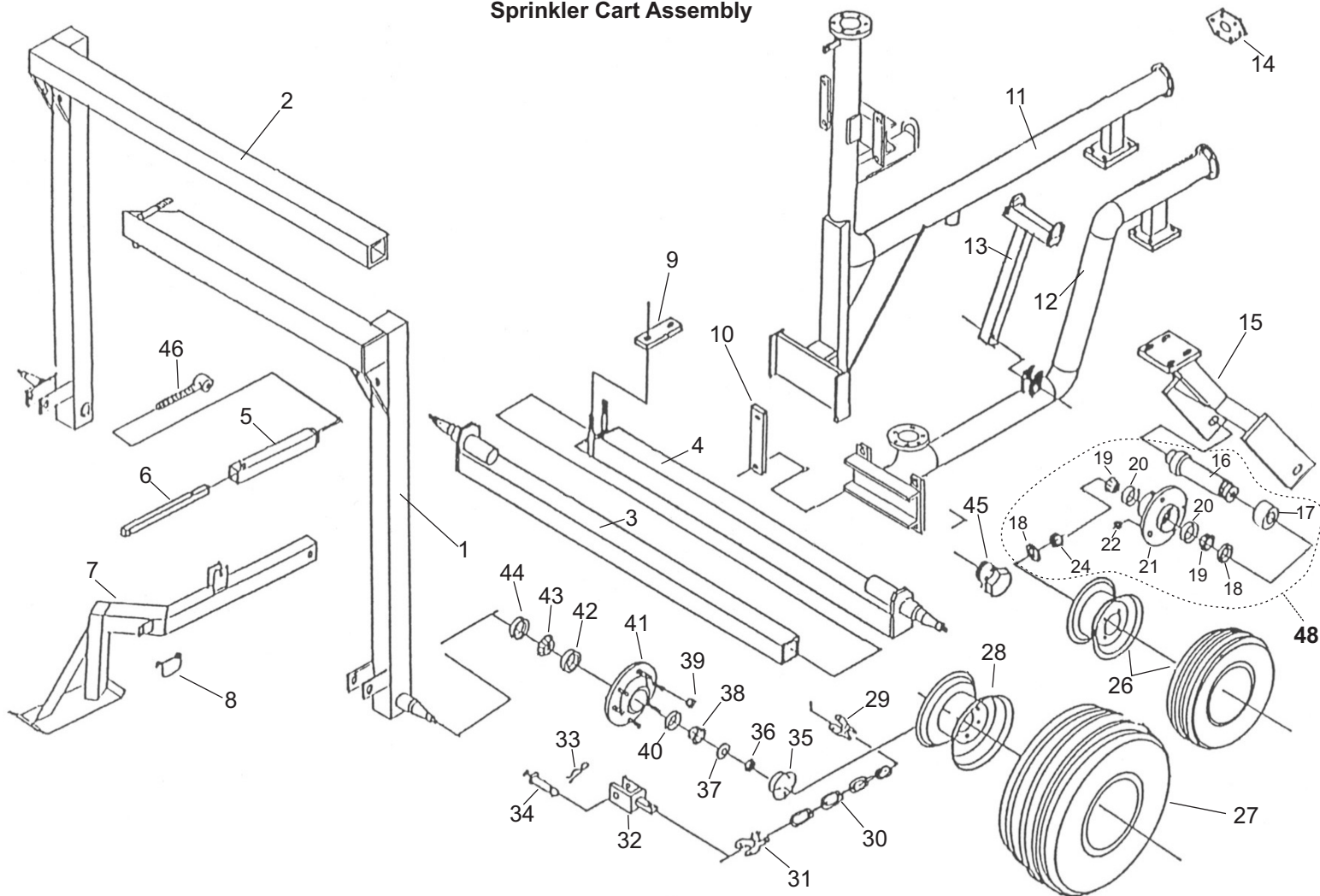
No.	Part Number	Description	Oty.
24	59203070	PIN,CLEVIS 5/16 X 2-3/8	1
25a	87548460	CHAIN,#50 ROLLER PER FT (100 Rollers)	ft. 5
25b	87548470	CHAIN,#60 ROLLER PER FT (117 Rollers)	ft. 7.375
26a	88003711	SPRKT,50B12 1-1/8 BORE (Turbine Dr.)	1
26b	88003722	SPRKT,50B16 1-1/8 BORE (Engine Dr.)	1
27	58500504	PLLY,STEP5-4-3X3/4B CNGRS	1
28	58801841	BELT,4L 420	1
29	59000280	MOUNT,IDLER ARM	1
30	58900411	SPRKT,SENSOR 40A23 5/8	1
31	06000530	CRANK	1
32	52651770	BEARING,O 1.62X1.37X1.12LNG	1
33	59202130	SHAFT FINAL DRIVE T-37	1
34	52660710	KEY, 1/2 X 2 RD ENDS	1
35	59300870	SPACER,2.5X2.3X1.38	1
36	59203030	BOLT,SPRING T-SERIES	1
37	59203010	MOUNT,BRAKE	1
38	59300880	SPACER,2.5X2.31X2.62	1

Control Linkage



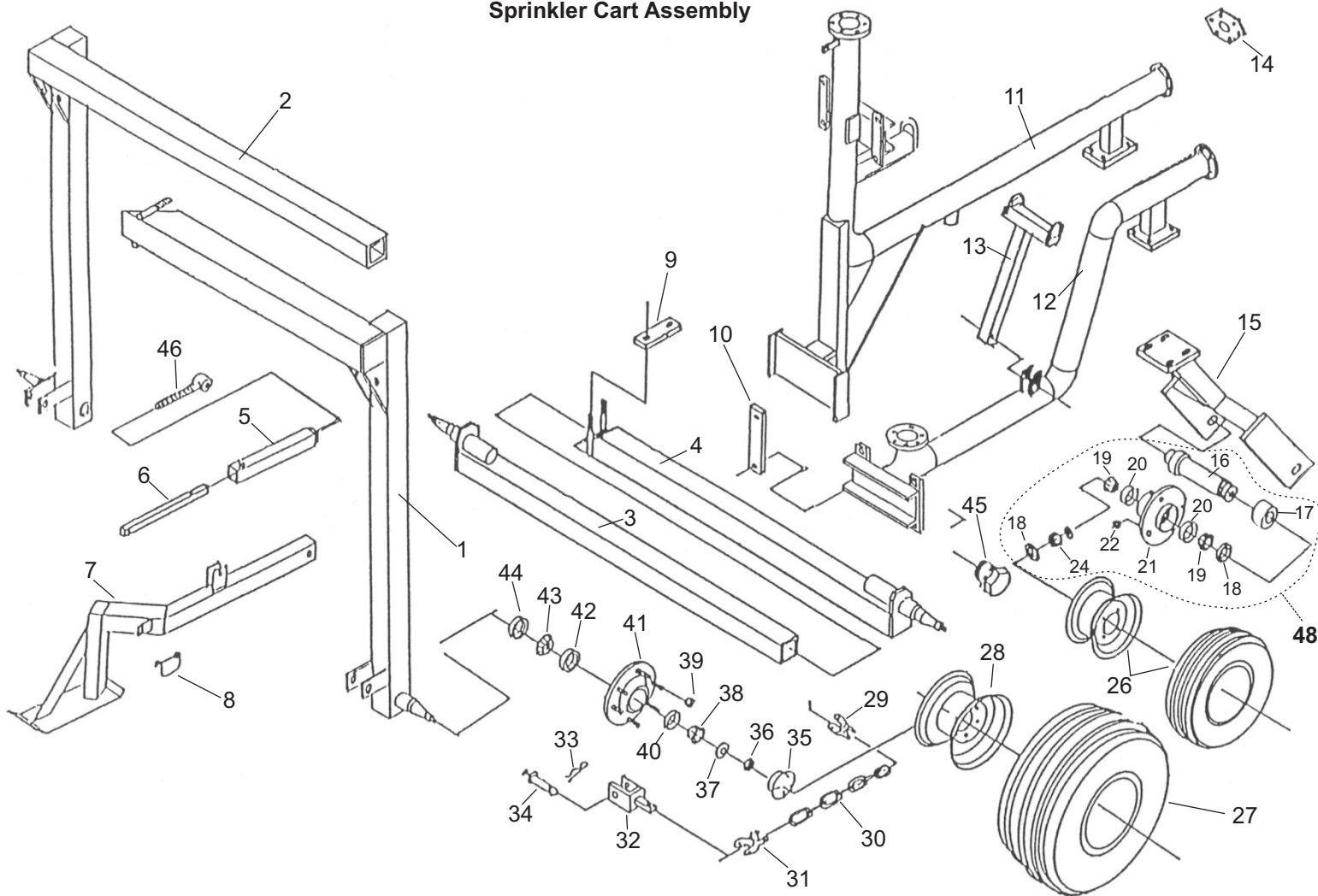
No.	Part Number	Description	Qty.
1	59203901	Guide, Cable	1
2	58901772	Rod, control 1/2" x 51" Long	1
3	58505580	YOKE	1
4	58901750	SPEED COMP LINKAGE	1
5	58901800	Arm, Rocker	1
6	59000260	SPACER	1
7a	40248530	KNOB, 1/2 IN. INTRNL THD	1
7b		Bolt, 1/2" x 2-1/2" Carrage (not shown)	1
8	59400020	SPRING PULL	1
9	59400040	SCREW, SPRING - 40A	1
10	58802880	SPRING, 1-1/2 X .25 X 10	2
11	58802870	DOUBLE TREE, IDLER	1
12	58606222	Slide, Rod	1
13	58506571	TUBE, COMP	1
14	58505650	SCREW	1
15	58506100	WASHER, NYLON 3/8	2
16	58803090	HANDLE, CRANK	1
17	58505610	SWIVEL	1
18	56005270	CLAMP, 1/4 CABLE	2
19	75048440	CABLE, 1/4-7X19 GAC PER FT	ft. 13.8
20	32551910	BUSH, STL.843X.56X.62L	3
21	40249060	PLLY, WRP17/32X2X7/8B STL	2
22	59203920	Cable end	1
23	58606210	CABLE RETAINER	1
24	59204270	CABLE, RET	1
25	59301791	Cable Assm.	1

Sprinkler Cart Assembly



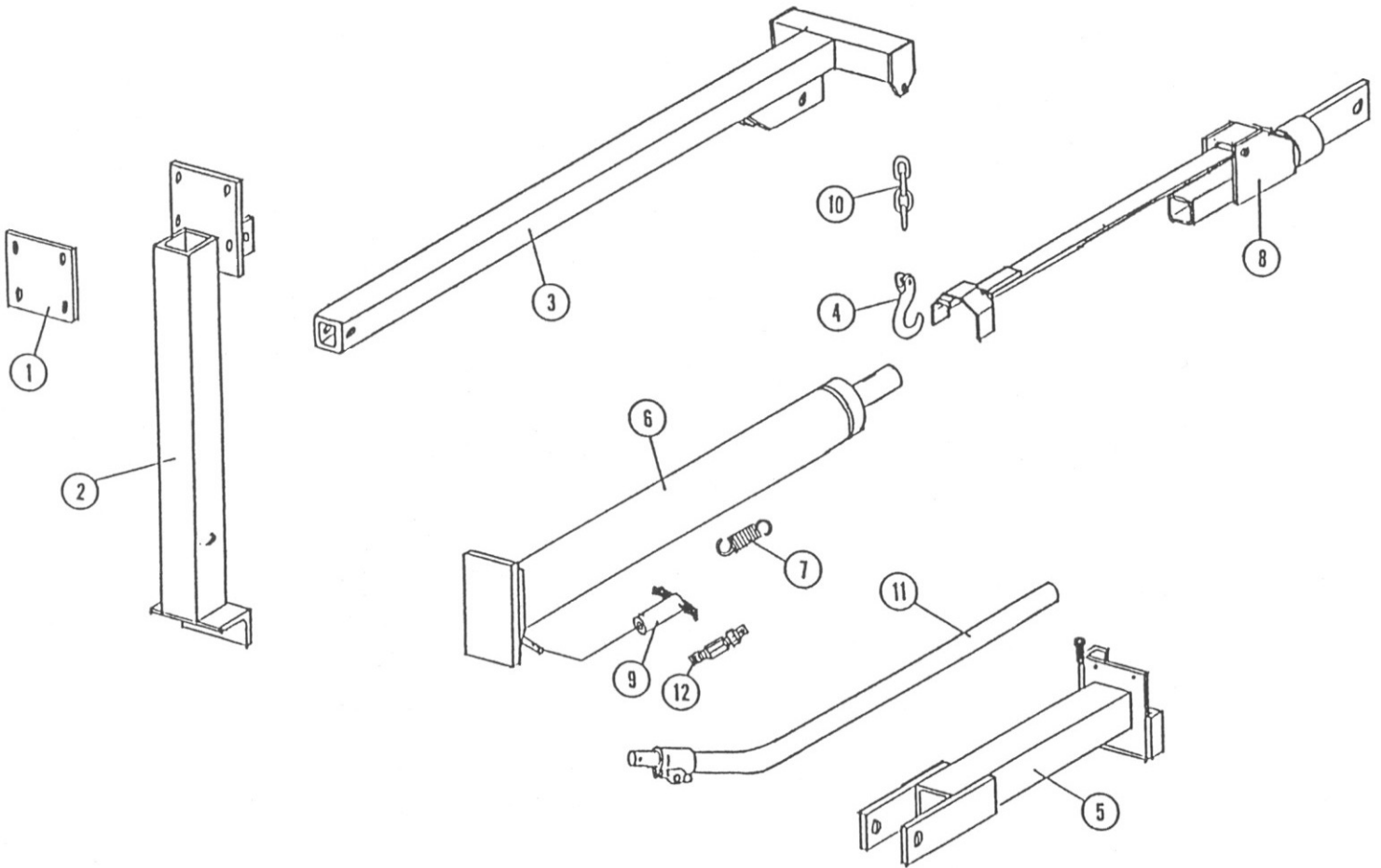
No.	Part Number	Description	Oty.
1	58406403	Leg Outer	1
2	58406333	Leg Inner	1
3	58900010	Axle Inner	1
4	58900020	Axle Outer	1
5	58506170	BRACE	2
6	58506220	BRACE	2
7a	58505740	Skid Left	1
7b	58505750	Skid Right	1
8	58506230	PIN,SNAPPER 1/4 X 1-3/4 (2.31 OAL)	2
9	58408430	STRAP	1
10	58408431	STRAP	2
11	59400541	HIGH GUNCART BODY (T40)	1
12	59400540	Body Guncart Low	1
13	59100030	Lift Bail	1
14	02099202	GASKET, 5.75"BCD 4.3 ID	1
15	06009974	YOKE, FRONT	1
16	06010199	AXLE,FRONT	1
17	06002450	SLEEVE	1
18	58803565	SEAL,CR12437	2
19	58803563	BEARING,TIMKEN L44643	2
20	50702930	KIT, CUP AND CONE SET	2
21	58803564	HUB,WITH RACES ONLY W440	1

Sprinkler Cart Assembly



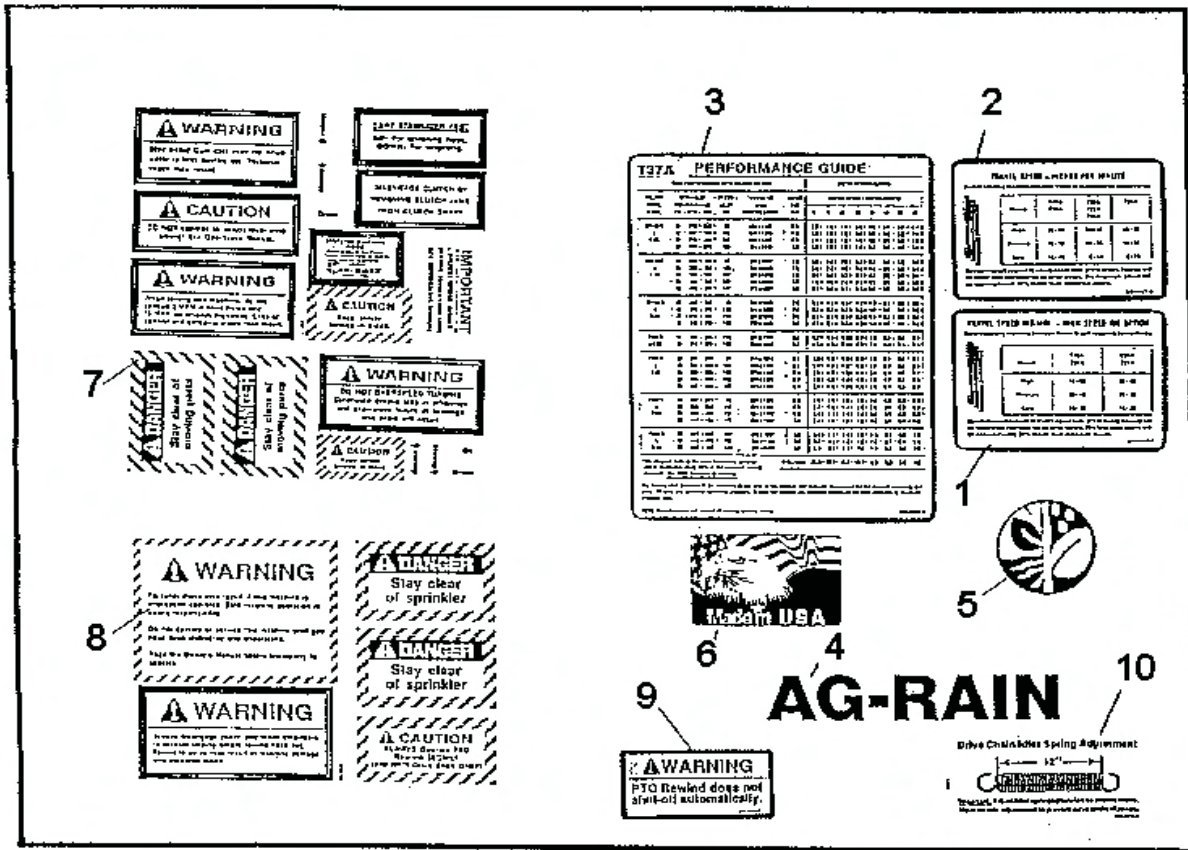
No.	Part Number	Description	Qty.
22	58803560	BOLT,LUG WILT 913535	4
24	55116020	NUT,SLOTTED NF 1"	2
26	59506060	WHEEL&TIRE,16X6:50X8 4PG	1
27	27702560	Tire 6.7 x 15 Tubeless 4 Ply	2
28	50201740	WHEEL&TIRE ASSY 6.70X15 5"BCD4BOLT	2
29	52353941	CLEVIS,DBL CMBL 542-3301	2
30	85040600	CHAIN,3/8 PROOF COIL PLTD	ft. 4.5
31	52649081	SHACKLE 3/8 SCREW PIN,GAL	2
32	52354210	HITCH, CHAIN	1
33	56102040	PIN,HAIR .118DIAX2-11/16	1
34	55832810	PIN,HITCH 3/4X3 T HEAD	1
35	22709360	CAP,HUB	2
36	55209440	NUT,SLOTTED NF 5/8	2
37	55306280	BUSH,MACH 1-1/2X1X18GA	2
38	51509420	BEARING,TIMKEN LM11949	2
39	58900630	Bolt, Wilton 906288	8
40	51009410	RACE,OUTER LM11910	2
41	58900650	HUB,WITH CUPS ONLY W633	2
42	51009400	RACE,LM67010	2
43	51509390	BEARING,TIMKEN LM67048	2
44	58900660	SEAL,CR14975	2
45a	06002451	VALVE,QUICK DRAIN WADE	1
45b	52549421	BSHNG,RDCNG GLV 1-1/4X1	1
46	58900230	Pivot Bolt	2
47	37758900	FLANGE,5.75BCD 4 ID 6HOLE	2
48	59503820	HUB & AXLE ASSM GUNCART40	1

Sprinkler Cart Lift Assembly



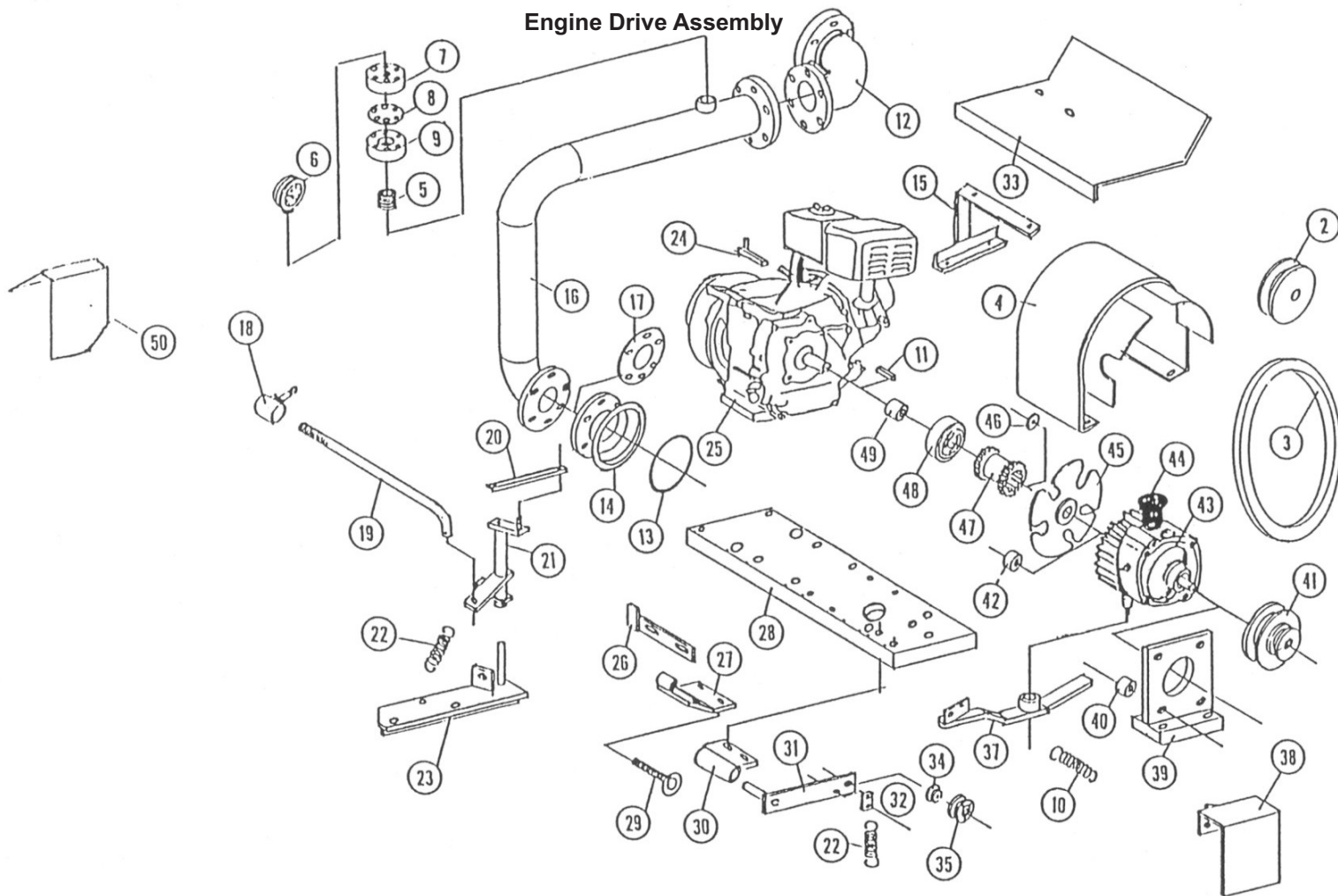
No.	Part Number	Description	Oty.
1	59400270	PLATE	1
2	59400290	Mt., Boom Support	1
3	59400160	ARM,BOOM	1
4	52355650	HOOK,CLEVIS SLIP 3/8 ZN	1
5	59400260	Base Jack	1
6	58505830	JACK,HYDRAULIC 3 TON	1
7	45048450	SPRING TNSN.67IDX3-1/8PLT	1
8	59400230	BRKT,TRANSPORT	1
9	58505880	VALVE EXTENSION,JACK	1
10	85040600	CHAIN,3/8 PROOF COIL PLTD	ft. 1.5
11	58505891	HANDLE,JACK	1
12a	58505833	Valve, Hyd. Jack	1
12b	58505832	JACK REPAIR KIT 5-532	1

Decal Group



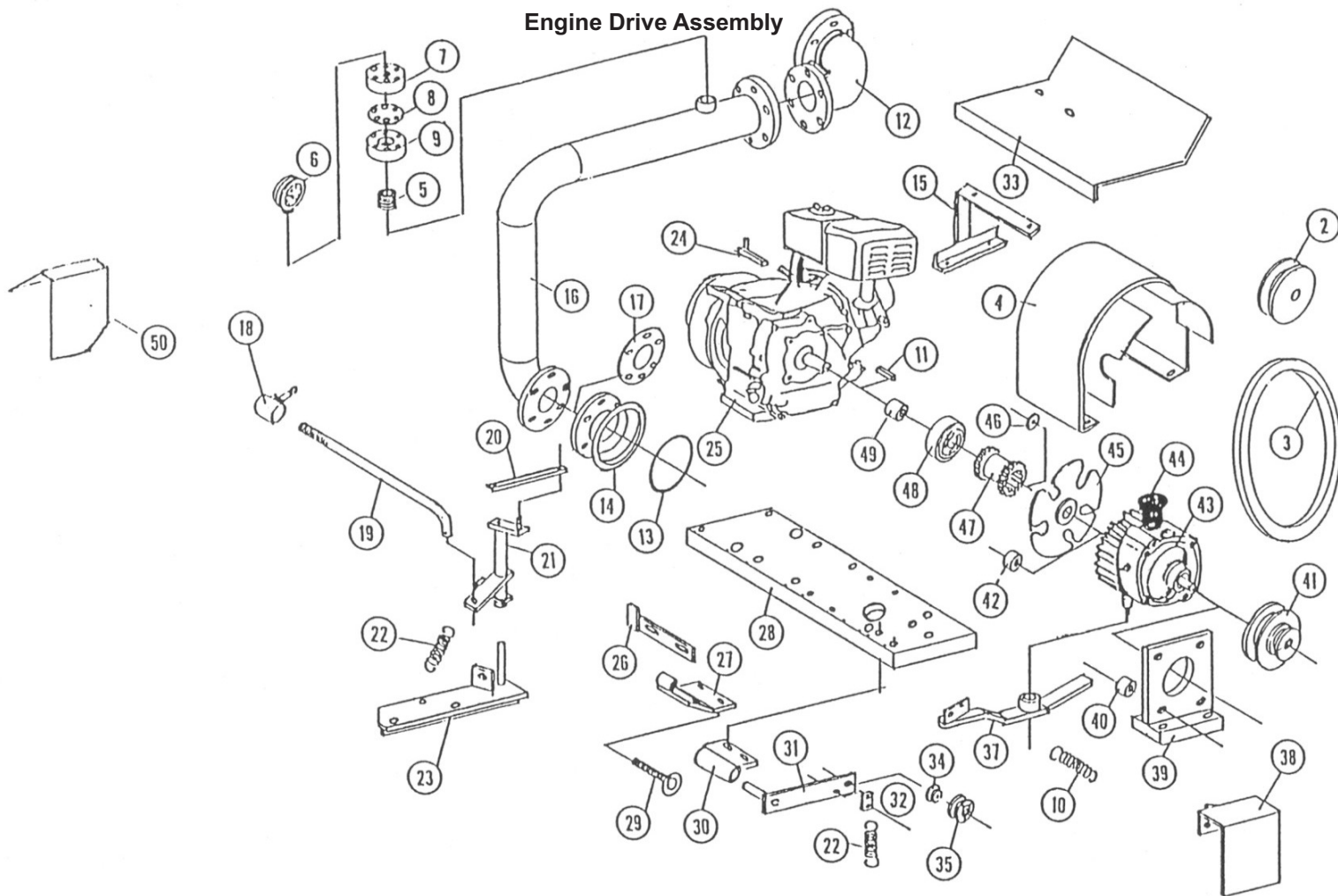
No.	Part Number	Description	Qty.
1	58900676	DECAL TRVL HI SPD	1
2	58900674	DCL TRVL SPDT-37&40	1
3a	58900050	DECAL,T-21 PERFORMANCE GUIDE	1
3b	59300414	DECAL,PERF GUIDE E-40	1
4	58504042	DCL AG-RAIN 3 IN LTRS	3
5	58502993	DCL ROUND LOGO 10 IN.	5
6	58608212	DECAL,MADE IN USA 4.8X7.1	1
7	58606840	DECAL SHEET MACHINE WIP L	1
8	58606842	DECAL SHEET WARNING & CAUTION	1
9	59001110	DECAL, WARNING PTO REWIND	1
10	59001100	DECAL, SPRING ADJUSTMENT	1

Engine Drive Assembly



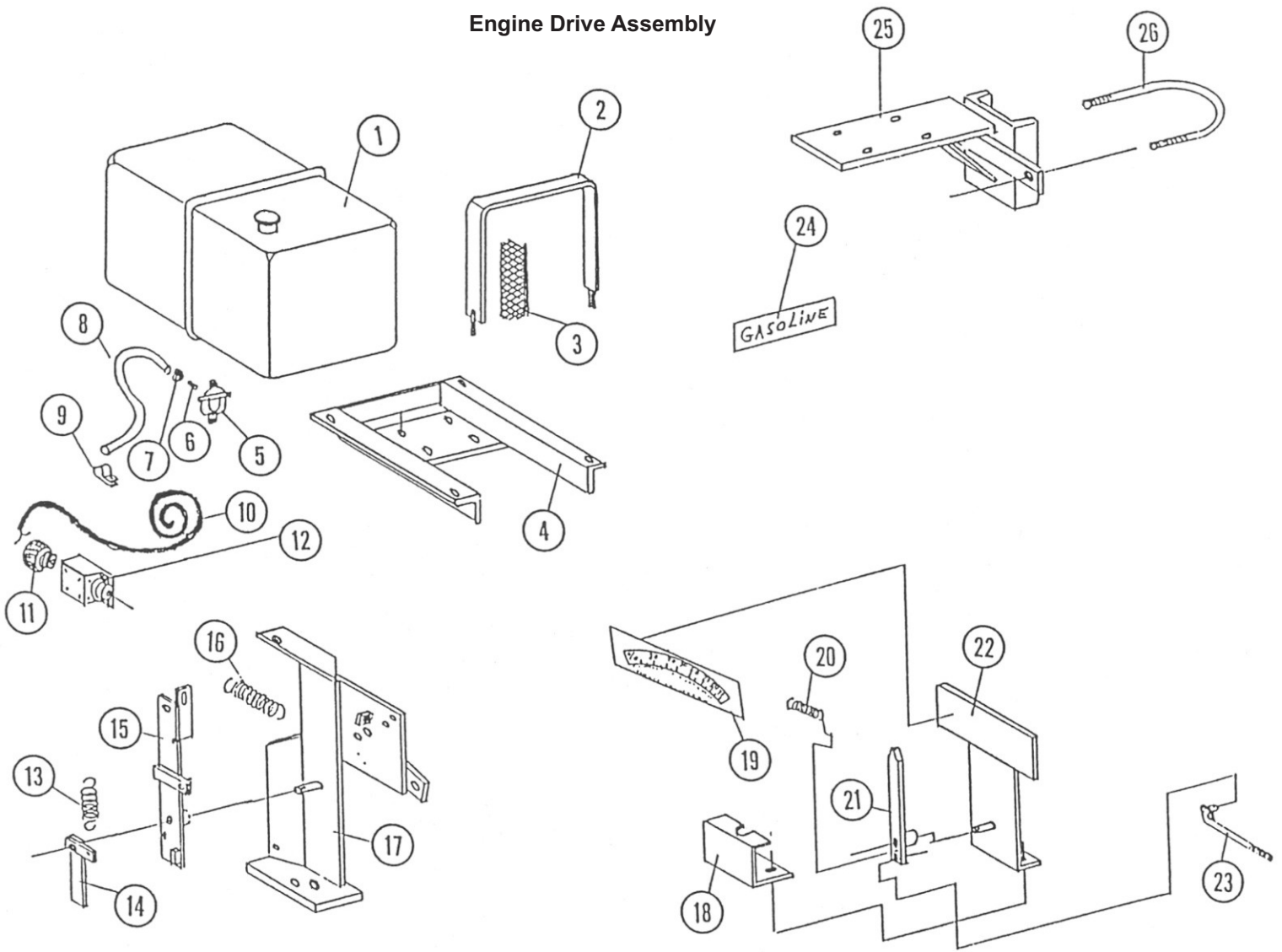
No.	Part Number	Description	Qty.
2	59002091	PLLY, W/SENSOR HOLES	1
3	59002110	BELT AX 26	1
4	59001650	SHROUD,FAN	1
5	58700990	NPPL,CLOSE SS 1-1/2"	1
6	58606750	GAUGE, PRESS 0-300	1
7	58606901	BODY,GAUGE PROTECTOR-TOP	1
8	58700460	DIAPHRAGM,GAUGE PROTECTOR	1
9	58606902	BODY,GAUGE PROTECTOR-BTMM	1
10	45048450	SPRING TNSN.67IDX3-1/8PLT	1
11	56348680	KEY, 3/8 SQ X 1-1/2	1
12	59400572	Elbow	1
13	58800233	SEAL RING 4" 6-3/8 OD X 9/16	1
14	59203400	Entry Fitting	1
15	59100080	Bracket, Shield	1
16	59204380	ELBW,T-37	1
17	59001700	GASKET 6.12 BCD	1
18	58606223	Slide, 5/16 Bolt x 3/8 Rod	1
19	59000840	Link, Compensator	1
20	59001440	LINK, THROTTLE	1
21	59000830	Pivot, Compensator	1
22	45035360	SPRING TNSN 1 X 6 PLATED	2
23	59000890	Bracket, Compensator Pivot	1
24	59001450	THROTTLE EXT.	1

Engine Drive Assembly



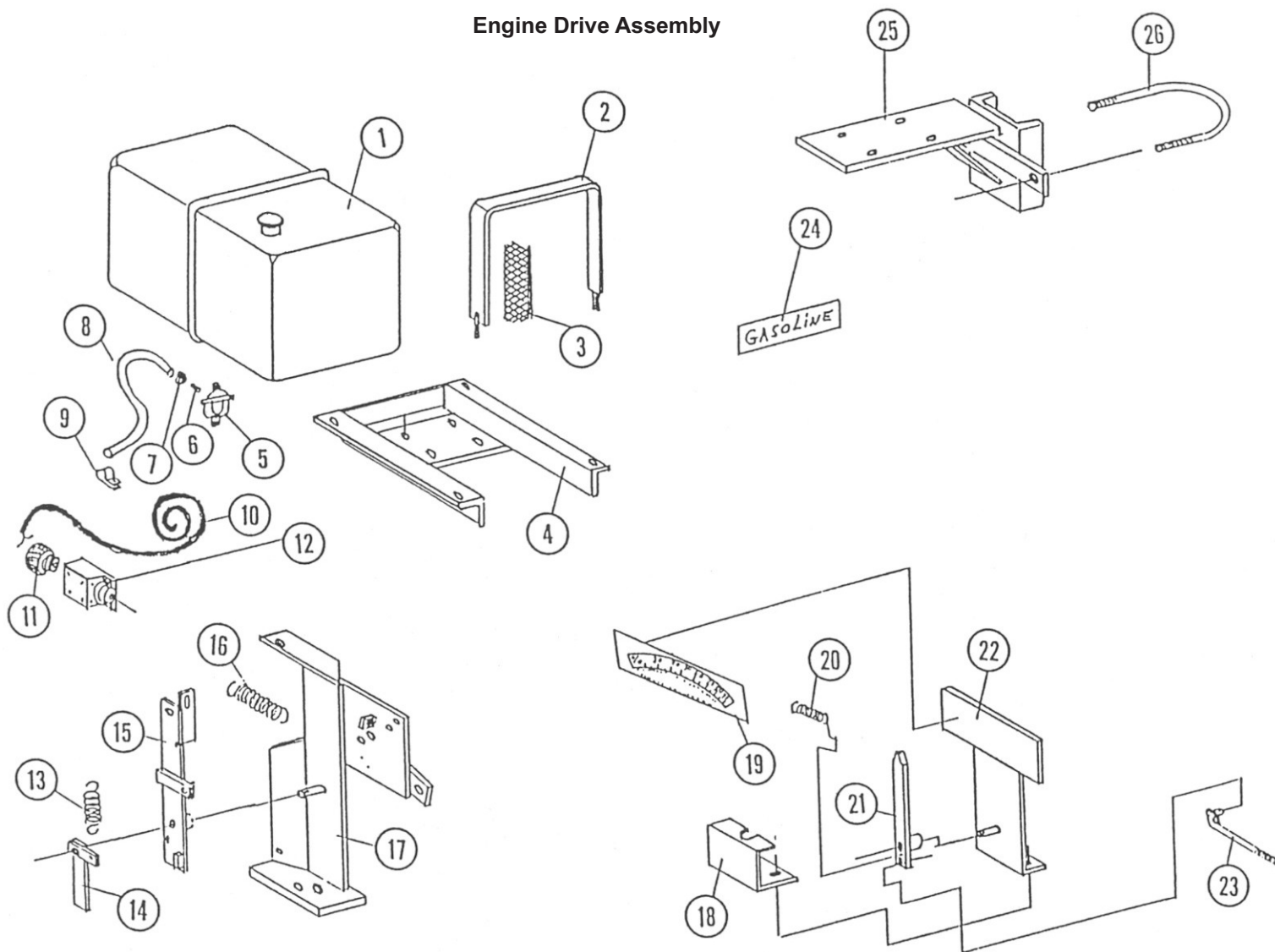
No.	Part Number	Description	Qty.
25	58407010	ENGINE,HONDA5.5 GX160KIQX	1
26	59001470	Stop, Transmission Control Lever	1
27	59001460	BRKT, TRANS CONT	1
28	59000970	Mount, Engine Base	1
29	55024812	BOLT,EYE 3/8 X 7	1
30	59000860	Bracket, Idler Arm	1
31	59000780	Arm, Idler	1
32	59000850	Link Spring	1
33	59001520	SHIELD	1
34	58606130	BUSH,SHOULDERSB0003 EFSON	1
35	58606120	PLLY,IDLER W/O 1/2" SLEEVE	1
37	59203700	Arm, Transmission Control	1
38	5900137	Guard, Belt	1
39	59000740	MT. TRANS	1
40	59000900	BUSHING 3/4 X .40 X .675	4
41	59002101	PLLY,3.4 X 17MM	1
42	59001430	BUSH,STL 1X.67X.27L	1
43	59001590	TRANSMISSION,HYDROSTATIC	1
44	59001760	TANK,EXPANSION	1
45	59001580	CPLNG,W FAN COMPLETE	1
46	58700172	WASHER,FENDER 1/4X17/64ID	1
47	59001583	CPLNG,RUBBER	1
48	59001582	CPLNG,HALF 3/4" BORE	1
49	59001400	BUSH,STL 1X.75X1.06L	1
50	59204070	Shield, Wire	1

Engine Drive Assembly



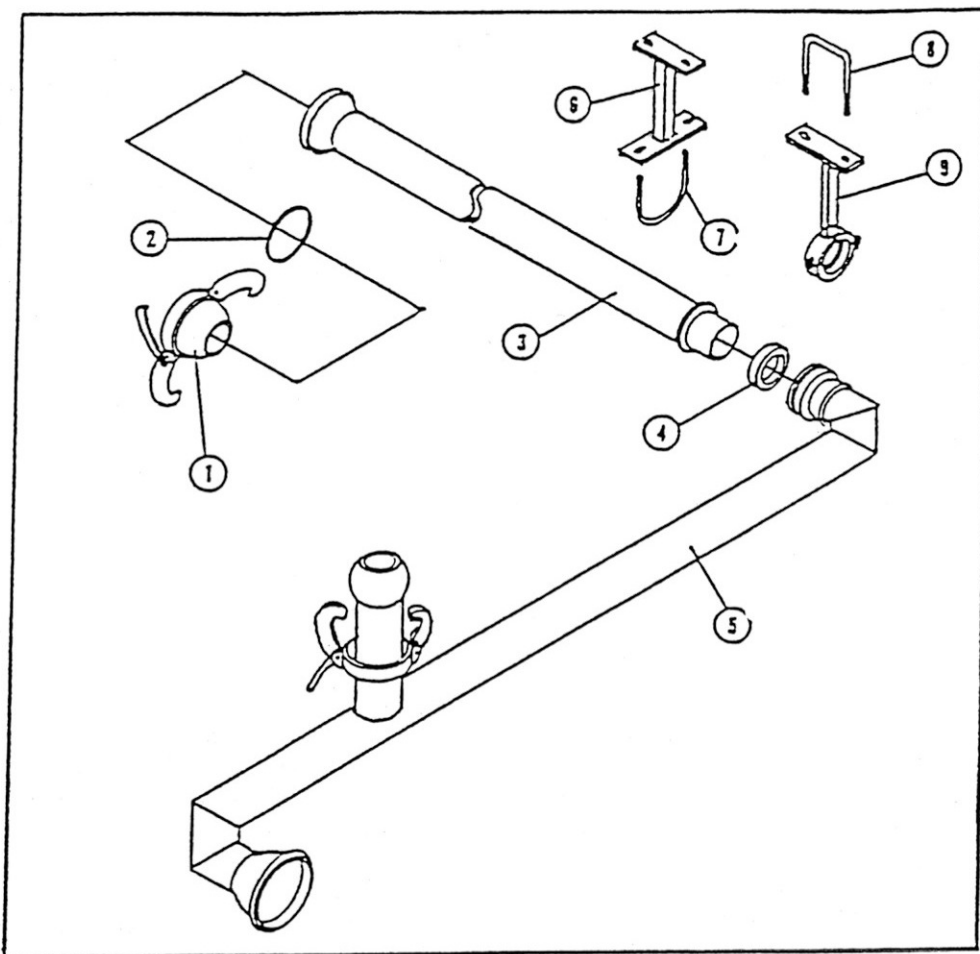
No.	Part Number	Description	Oty.
1a	58406930	TANK,FUEL&CAP 5.3GAL	1
1b	58406939	CAP,TANK-5.3 GAL GAS	1
2	58406210	STRAP, GAS TANK	2
3	58701670	BELTING,NEOP 5 PLY 1 IN	ft. 6.5
4	58406163	Mt., Gas Tank	1
5a	27749190	FILTER,GLASS BOWL FUEL	1
5b	59203220	MENDER,HOSE BR 3/16	1
5c	59300200	CLAMP,SCREW 7/32X5/8	2
6	58502310	BARB,HOSE 1/8 NPT X 3/16	1
7	56048450	CLAMP,SCREW 7/32X5/8	2
8	58406950	HOSE,GAS 3/16X23/64	ft. 5
9	59402970	CLAMP,LOOM 1/2 REMOVE JCK	5
10	58406700	WIRE,ELECT.3 WIRE 14 GA	ft. 4
11	52662170	GROMMET,CMPRSSN 1/2 NPT	1
12	52662151	SWITCH 6 X 613	1
13	58702480	SPRING TNSN .74 OD X .1 W X 3-1/8L	2
14	59203500	Trip	1
15	59203550	Arm	1
16	45048450	SPRING TNSN.67IDX3-1/8PLT	1
17	59203640	BRKT,SWITCH	1
18	59301330	Shield	1

Engine Drive Assembly



No.	Part Number	Description	Qty.
19a	59300161	Decal, Scale,Percent	1
19b	59001660	DECAL,WARNING TRANS DISCN	1
19c	59001670	DECAL,SPEED CONTROL LEVER	1
19d	59001680	DECAL,CAUTION FAN SHIELD	1
20	59300170	SPRING,TENSION 3/8OD .049WR X 2IN	1
21	59204522	Needle Tach.	1
22	59301310	Needle Mt.	1
23	59301320	Link, Needle Control	1
24	59001130	DECAL, GASOLINE	1
25	59400440	Brkt., Gas Trank Mt.	1
26	59400450	U-Bolt, 4-1/2" Round	1

OPTIONAL EQUIPMENT
CROSS-OVER PIPE ASSEMBLY



NO.	PART NUMBER	DESCRIPTION	QTY.
1	584-0028-1	PLUG, 4" BALL	1
2	588-0023-3	GASKET, 6.3" O.D. O-RING	2
3	590-0057-0	PIPE, CROSS-OVER	1
4	465-4891-0	GASKET, 4" GHEEN IRRIGATION	1
5	590-0056-0	PIPE, SIDE INLET	1
6	590-0062-0	BRACKET, ,PIPE MOUNTING	1
7	590-0058-0	U-BOLT, 4" ROUND	1
8	590-0059-0	U-BOLT, 4" SQUARE	2
9	590-0060-0	BRACKET, RING-LOCK W/ MOUNTING	1