



## Parts Manual

**Kifco Ag-Rain Serial No. 460073+**

**ST4, ST5, ST6, ST7**

**March 2023**



**Kifco, Inc.  
700 S. Schrader Ave.  
P.O. Box 290  
Havana, IL 62644**

**USA  
Phone: (800) 452-7017  
(309) 543-4425**

**Note:**

**When parts are described as “left” or “right”; please note the water inlet side is considered the right side.**

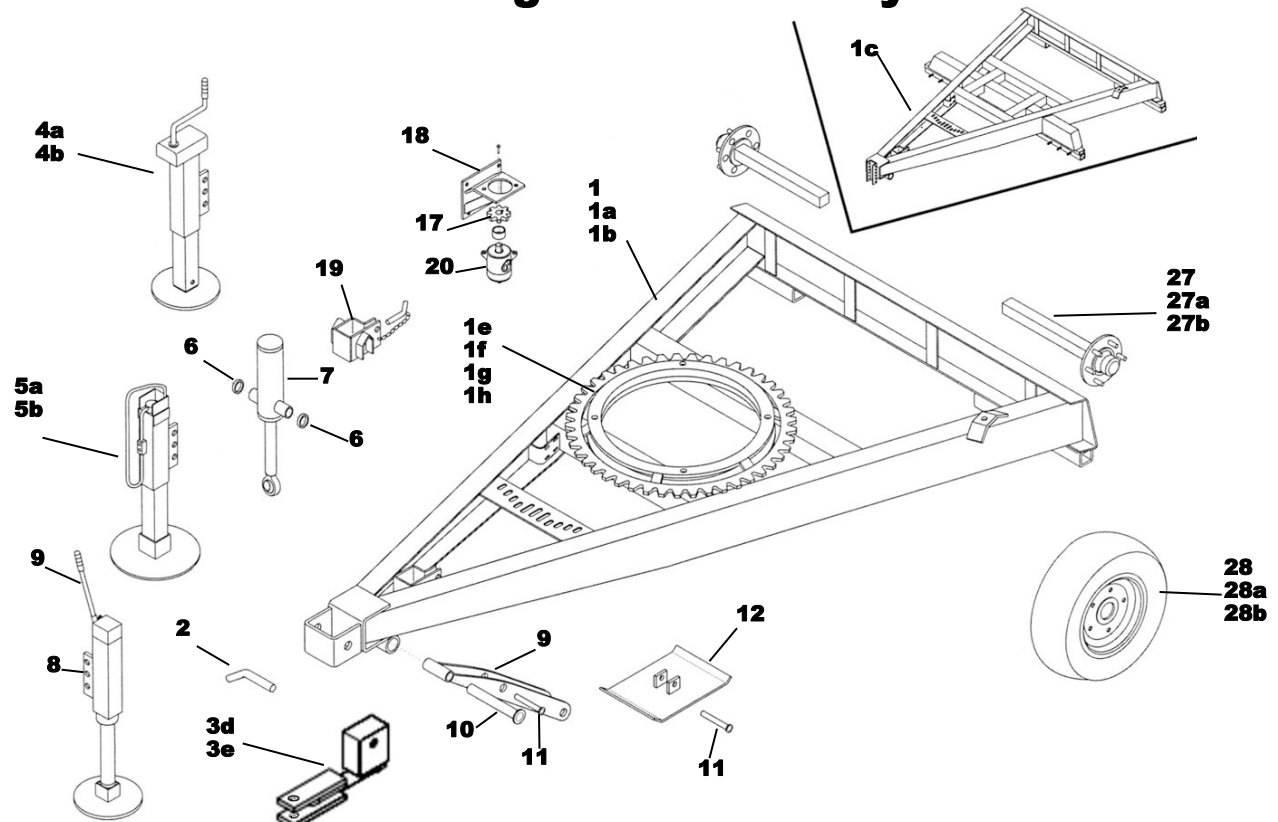
**Items such as common fasteners, grease fitting, and other small parts that are easily acquired locally are not listed.**



# Table of Contents

<b>Running Gear Assembly</b>	<b>3</b>
<b>Hydraulic Jack ST7</b>	<b>4</b>
<b>Taky</b>	<b>5</b>
<b>Hood</b>	<b>5</b>
<b>Cradle</b>	<b>6-8</b>
<b>Spool</b>	<b>9-11</b>
<b>Levelwind Frame</b>	<b>12-14</b>
<b>Hose Retention Bar</b>	<b>15</b>
<b>Manual Guncart Lift (Fixed Frame)</b>	<b>16</b>
<b>Manual Guncart Lift (Boom Arm)</b>	<b>17</b>
<b>Hydraulic Guncart Lift</b>	<b>18</b>
<b>Turbine Drive Train</b>	<b>19-20</b>
<b>Bima Gearbox (Turbine)</b>	<b>21-22</b>
<b>Engine Drive</b>	<b>23-25</b>
<b>Bima Gearbox (Engine)</b>	<b>26-27</b>
<b>Turbine - 10/50 ST4</b>	<b>28</b>
<b>Turbine - 25/130 ST5-6-7</b>	<b>29</b>
<b>Guncart - ST4</b>	<b>30</b>
<b>Guncart - ST5-6-7</b>	<b>31</b>
<b>High Pressure Shutdown (Threaded)</b>	<b>32-33</b>
<b>High Pressure Shutdown (Flanged)</b>	<b>34-35</b>

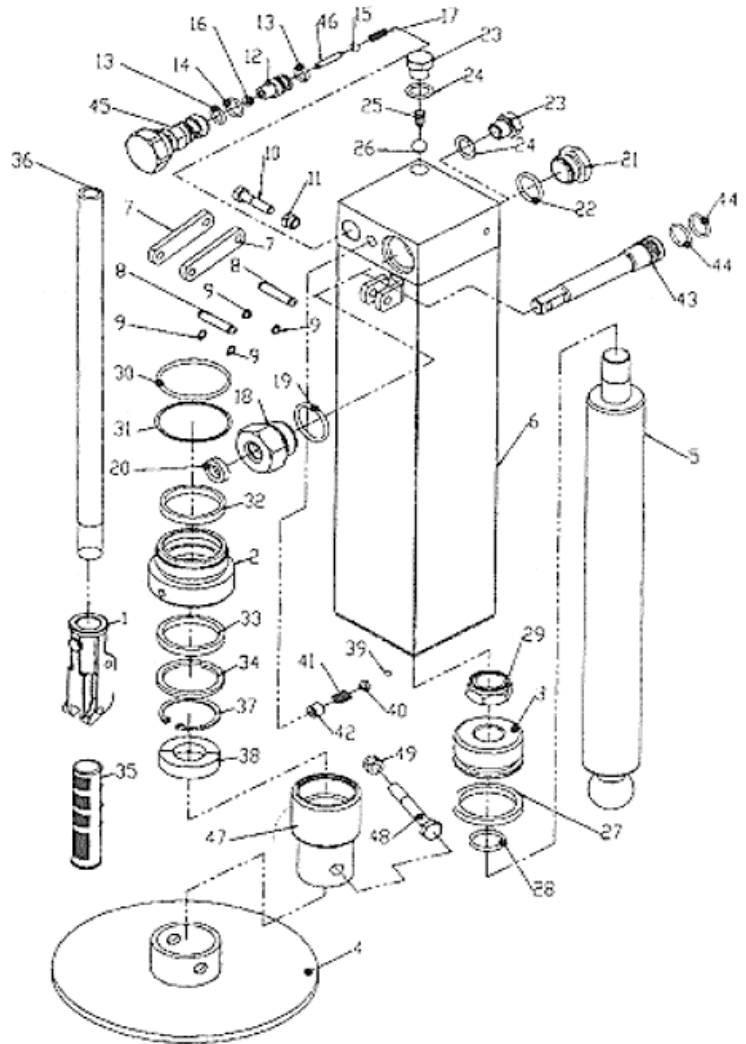
# Running Gear Assembly



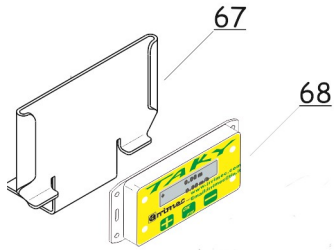
Item	Part Number	Description	U/M	Qty
1	02210630	Frame - ST4	Ea	1
1a	02211780	Frame - ST5	Ea	1
1b	02212000	Frame - ST6	Ea	1
1c	02208640	Frame - ST7	Ea	1
1e	02219901	Turntable Bearing ST4	Ea	1
1f	02219902	Turntable Bearing ST5	Ea	1
1g	02219903	Turntable Bearing ST6	Ea	1
1h	02219904	Turntable Bearing ST7	Ea	1
2	02208650	Pin	Ea	1
3d	50103822	Hitch, Clevis - ST4-5-6	Ea	1
3e	58402130	Hitch, Clevis (Not as Shown) - ST7	Ea	1
4a	02000402	Screwjack - ST4	Ea	1
4b	02208280	Screwjack Geartop - ST5-6	Ea	1
5a	02208672	Hydraulic Jack - ST4	Ea	1
5b	02208671	Hydraulic Jack - ST5-6	Ea	1
6	02213240	Spacer, Jack Cylinder	Ea	2
7	02208700	Cylinder, Hyd Jack (Squatter) - ST7	Ea	1
8	02208670	Jack, Hand Hydraulic - ST7 (See Page 4)	Ea	1
9	02208710	Jack Lever	Ea	1
10	02205200	Pin, Jack Arm Pivot 30mm x 225mm	Ea	1
11	02208730	Pin Dia 25mm x 115mm	Ea	2
12	02208740	Jack Base	Ea	1
17	02208770	Pinon, Turntable - A-Series	Ea	1
18	02208780	Hyd Motor Mt	Ea	1
19	02208680	Adapter, Jack - ST7	Ea	1
20	02208750	Motor	Ea	1
27	02217910	Axle, 50 x 50 x 650 - ST4-5	Ea	2
27a	02217911	Axle, 60 x 60 x 750 - ST6	Ea	2
27b	02217912	Axle, 60 x 60 x 800 - ST7	Ea	2
28	02217920	Wheel & Tire 10.80/12 PR8 - ST4-5	Ea	2
28a	02217921	Wheel & Tire 10.0/75-15.3/8 PR - 6 Holes - ST6 (ST7 - Four Wheel Chassis)	Ea	2
28b	02217922	Wheel & Tire 11.5/80-15.3 12 PR - ST7 (Two Wheel Chassis)	Ea	2

# Hydraulic Jack ST7

Item	Part No.	Description	U/M	Qty
1	50401010	Handle, Bracket - Hyd Jack	Ea	1
2	50401020	Housing, Lower - Hyd Jack	Ea	1
3	50401030	Housing, Upper - Hyd Jack	Ea	1
4	50401040	Foot - Hyd Jack	Ea	1
5	50401050	Cylinder Jack	Ea	1
6	50401060	Jack Housing - Hyd Jack	Ea	1
7	50401070	Handle Strap, Hyd Jack	Ea	2
8	50401080	Handle Pin, Hyd Jack	Ea	2
9	50401090	Snap Ring, Hyd Jack	Ea	4
10	55070220	Bolt, 8-1.25mm x 35mm	Ea	1
11	50401110	Nut, 8mm	Ea	1
12	50401120	Valve Seat, Hyd Jack	Ea	1
13	50401130	O-Ring 115, Hyd Jack	Ea	2
14	50401140	O-Ring 121, Hyd Jack	Ea	1
15	50401150	8mm Ball, Hyd Jack	Ea	1
16	50401160	10mm Ball, Hyd Jack	Ea	1
17	50401170	Spring, Hyd Jack	Ea	1
18	50401180	Packing Nut, Hyd Jack	Ea	1
19	50401190	O-Ring 4131, Hyd Jack	Ea	1
20	50401200	Seal, Hyd Jack	Ea	1
21	50401210	Cap, Hyd Jack	Ea	1
22	50401220	O-Ring 4093 Hyd Jack	Ea	1
23	50401230	95mm PB23 UNIT 4838, Hyd Jack	Ea	1
24	50401240	Ring, Sealing, Hyd Jack	Ea	1
25	50401250	Spring, Hyd Jack	Ea	1
26	50401260	Plug (Ball), Hyd Jack	Ea	1
27	50401270	Seal, Upper, Hyd Jack	Ea	1
28	50401280	O-Ring, Upper (.14x1" ID) - Hyd Jack	Ea	1
29	50401290	Nut, Nylock Rod Top - Hyd Jack	Ea	1
30	50401300	O-Ring, Lower (.14x2.25" ID), Hyd Jack	Ea	1
31	50401310	Guard, Dust - Hyd Jack	Ea	1
32	50401320	Guard, Dust - Hyd Jack	Ea	1
33	50401330	Seal, Lower - Hyd Jack	Ea	1
34	50401340	Wiper, Rod - Hyd Jack	Ea	1
35	50401350	Handle Grip, Hyd Jack	Ea	1
36	50401360	Handle, Hyd Jack	Ea	1
37	02215440	Snap Ring, Man/Hyd Jack	Ea	1
38	50401380	Spacer, Hyd Jack	Ea	1
39	50401390	Ball, 5.5mm, Hyd Jack	Ea	1
40	50401400	Seat, Hyd Jack	Ea	1
41	50401410	Spring, Hyd Jack	Ea	1
42	50401420	Spacer, Hyd Jack	Ea	11
43	50401430	Piston, Hyd Jack	Ea	1
44	50401440	O-Ring 3081, Hyd Jack	Ea	1
45	50401450	Valve, Hyd Jack	Ea	1
46	50401460	Pin, Hyd Jack	Ea	1
47	50401470	Knuckle, Foot to Rod - Man/Hyd Jack	Ea	1
48	55070021	Bolt, 10-1.5mmx75mm Zinc Plated	Ea	1
49	55170010	Nut 10-1.5mm	Ea	1

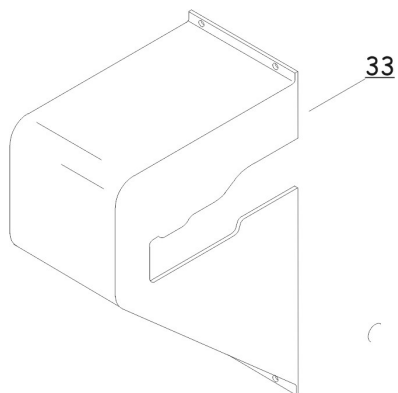
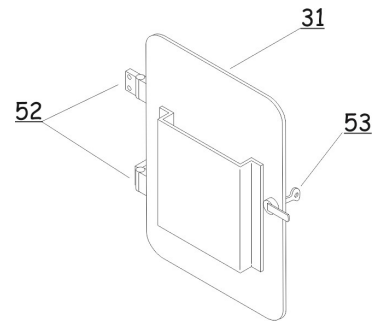
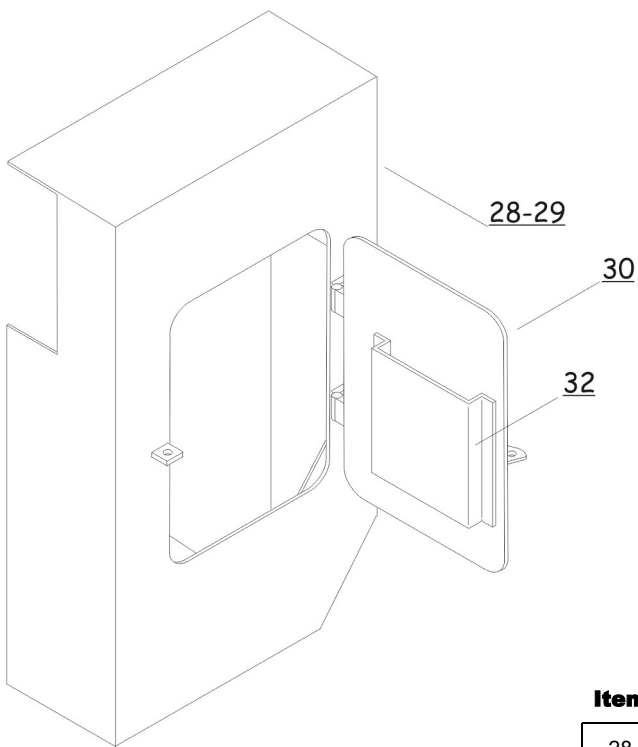


# Taky



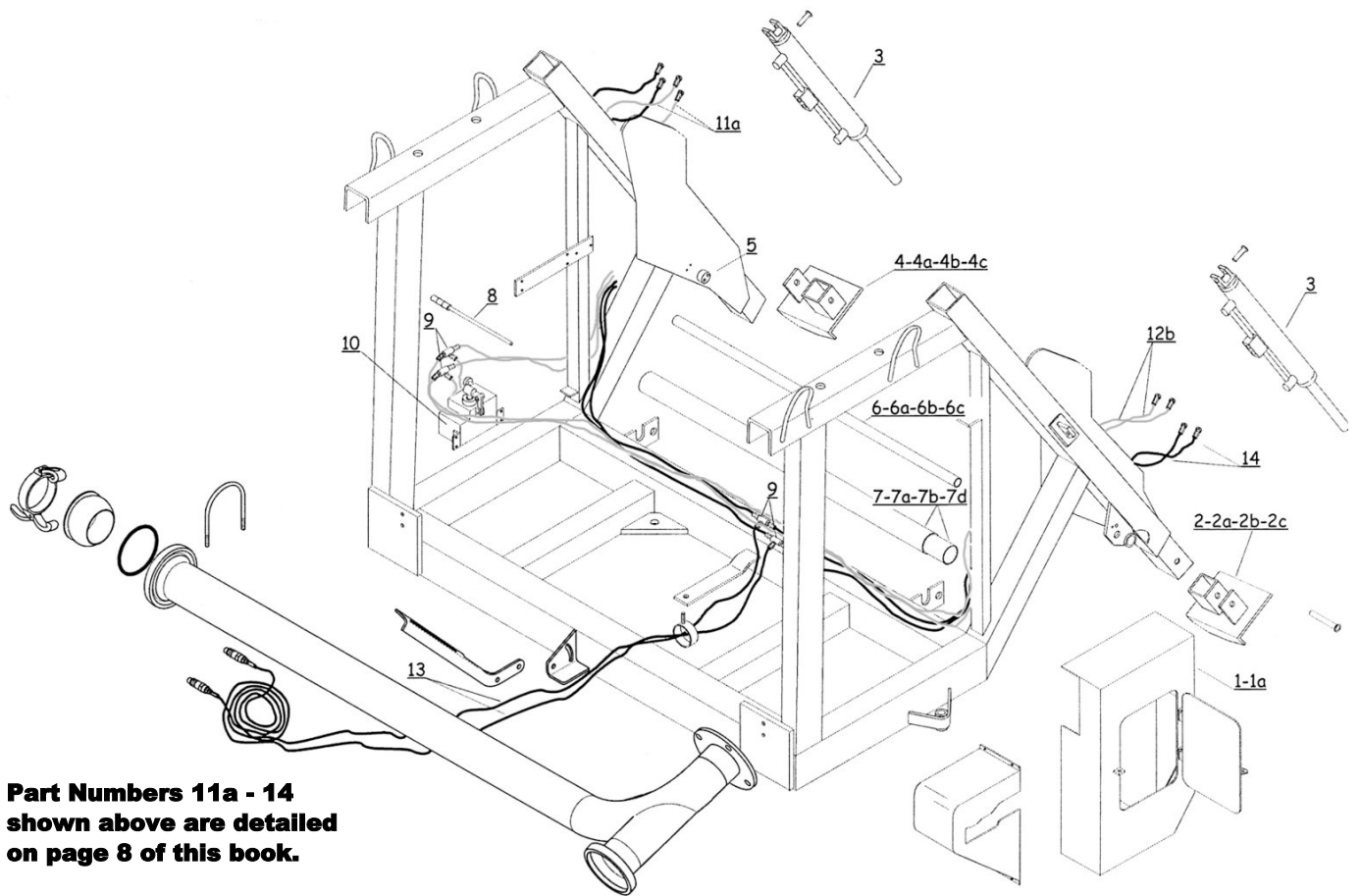
Item	Part No.	Description	U/M	Qty
67	02220260	Taky Support	Ea	1
68	02220270	Complete Taky Mainboard, Box & Sticker	Ea	1

# Hood



Item	Part No.	Description	U/M	Qty
28	02220200	Cabinet Guard (Engine) ST4-5-6-7	Ea	1
29	02220190	Cabinet Guard (Turbine) ST4-5-6-7	Ea	1
30	02220201	Cabinet Door (Engine) ST4-5-6-7	Ea	1
31	02220191	Cabinet Door (Turbine) ST4-5-6-7	Ea	1
32	02220192	Cabinet Door Pocket ST4-5-6-7	Ea	1
33	02214500	Shield (Belt)	Ea	1
52	02220810	Door Hinges	Ea	2
53	02217820	Lock & Key Set	Ea	1

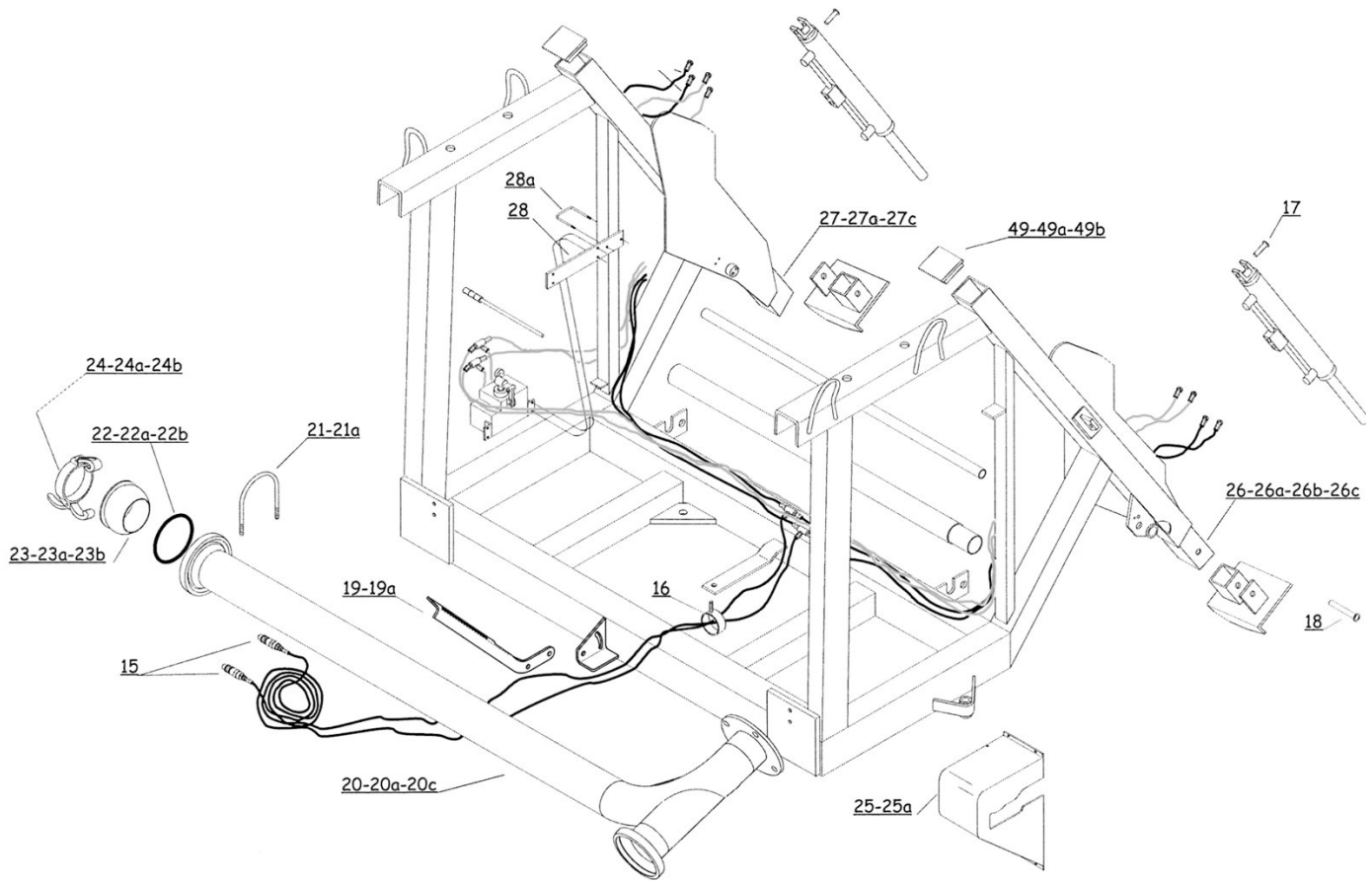
# Cradle (pg. 1)



**Part Numbers 11a - 14  
shown above are detailed  
on page 8 of this book.**

Item	Part No.	Description	U/M	Qty
1	See Pg. 5	Guard, Cabinet	Ea	1
2	02210680	Foot, Stabilizer Turbine Side - ST4	Ea	1
2a	02211530	Foot, Stabilizer Chain Side - ST5	Ea	1
2b	02211950	Foot, Stabilizer Turbine Side - ST6	Ea	1
2c	02208820	Foot, Stabilizer Turbine Side - ST7	Ea	1
3	02212240	Cylinder, Hyd Leg - ST5-6-7	Ea	2
4	02210690	Foot, Stabilizer Chain Side - ST4	Ea	1
4a	02211540	Foot, Stabilizer Turbine Side - ST5	Ea	1
4b	02211960	Foot, Stabilizer Chain Side - ST6	Ea	1
4c	02208840	Foot, Stabilizer Chain Side - ST7	Ea	1
5	02218730	Pad ST6-7	Ea	1
6	02210700	Hose Guide Bar ST4	Ea	1
6a	02211550	Hose Guide Bar ST5	Ea	1
6b	02211970	Hose Guide Bar ST6	Ea	1
6c	02208860	Hose Guide Bar ST7	Ea	1
7	02210710	Roller - ST4	Ea	1
7a	02211560	Roller - ST5	Ea	1
7b	02211980	Roller - ST6	Ea	1
7d	02213810	Roller - ST7	Ea	1
8	02218740	Handle, Jack	Ea	1
9	02208890	Tee, Hydraulic 1/4" BSPP	Ea	2
10	02214550	Hydraulic Pump	Ea	1

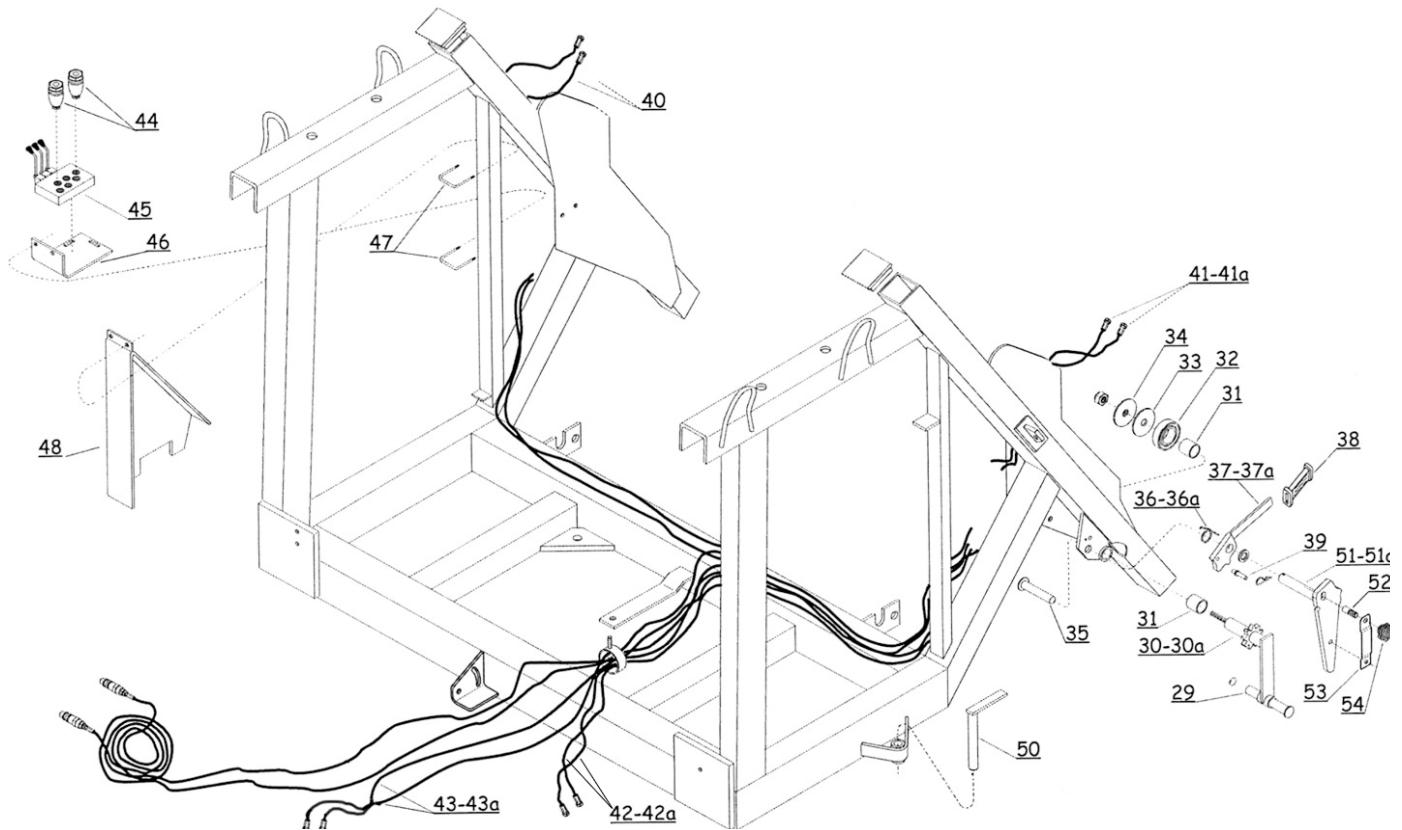
# Cradle (pg. 2)



Item	Part No.	Description	U/M	Qty
15	02210390	Quick Coupler - Hose 1/2" Male	Ea	1
16	02209000	Support, Hyd Hose	Ea	1
17	02208930	Pin, Upper Cylinder - ST5-6-7	Ea	2
18	02208940	Pin, 25mm x 170mm	Ea	2
19	02218750	Double Supply Support ST4-5	Ea	1
19a	02218751	Double Supply Support ST6-7	Ea	1
20	02218760	Double Supply Pipe 3 1/2" ST4-5-6	Ea	1
20a	02218761	Double Supply Pipe 4" ST5-6	Ea	1
20c	02218762	Double Supply Pipe 5" ST7	Ea	1
21	02218770	U-Bolt M8 3 1/2"	Ea	2
21a	02218771	U-Bolt M8	Ea	2
22	58800263	Seal Ring 3 1/2" 5.25 OD x .5	Ea	2
22a	28800233	Seal Ring 4" 6 3/8 OD x 9/16	Ea	2
22b	58800243	Seal Ring 5" 7 1/2 OD x 3/4" CS	Ea	2
23	02218780	Plug 3 1/2"	Ea	1
23a	59703120	Plug, with Lever-Ball 4"	Ea	1
23b	02218782	Plug 5"	Ea	1

Item	Part No.	Description	U/M	Qty
24	58800261	Lever Ring 3 1/2" 89mm	Ea	1
24a	58800231	Part is Welded to #23a	Ea	1
24b	58800241	Lever Ring 5" 451 133mm	Ea	1
25	02214500	Shield, Belt IRCO	Ea	1
25a	02214500	Shield, Belt B600	Ea	1
26	02210730	Leg Turbine Side - ST4	Ea	1
26a	02211600	Leg Turbine Side - ST5	Ea	1
26b	02211571	Hydraulic Leg - ST6	Ea	2
26c	02216980	Hydraulic Leg - ST7	Ea	1
27	02210740	Leg, CS Stabilizer - ST4	Ea	1
27a	02216892	Hydraulic Leg - ST5	Ea	1
27c	02216981	Hydraulic Leg - ST7	Ea	1
28	02218800	Pump Support Plate	Ea	1
28a	02214100	U-Bolt M10	Ea	1
49	02209950	Plug 70 x 70 ST4	Ea	1
49a	02209951	Cap Plug 80mm x 80mm ST5-6	Ea	1
49b	02209952	Cap Plug 100mm x 80mm - ST7	Ea	1

# Cradle (pg. 3)

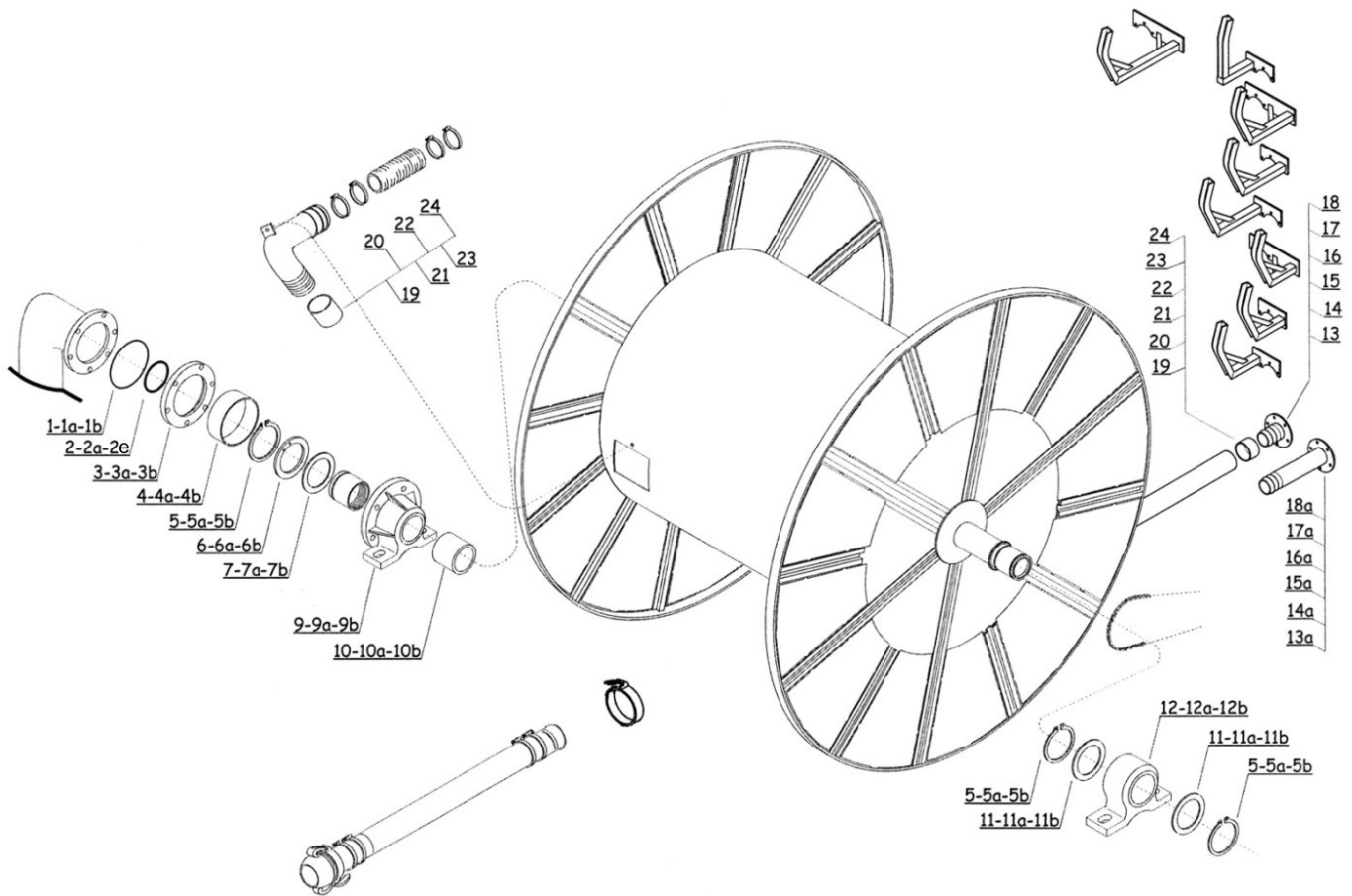


Item	Part No.	Description	U/M	Qty
29	02099048	Handle	Ea	2
30	02099578	Crank ST4	Ea	2
30a	02200060	Crank ST5-6	Ea	2
31	02099056	Bearing, Bronze	Ea	4
32	02099059	Spring, Rubber Stabilizer	Ea	2
33	02099049	Washer	Ea	2
34	02099058	Nut	Ea	2
35	02216990	Pin, dia. 20mm x 100mm Long	Ea	1
36	02099028	Spring, Right	Ea	1
36a	02099029	Spring, Left	Ea	1
37	02099027	Pawl, Right	Ea	1
37a	02199027	Pawl, Left	Ea	1
38	02204140	Grip, Turbine	Ea	2
39	02000026	Pin, dia. 20mm x 100mm Long	Ea	2
40	02212800	Hose, Hyd R1T EL x STR .7M ST4-5-6-7	Ea	2
41	02212801	Hose, Hyd R1T EL x STR 3.0M ST4-5-6-7	Ea	2

Item	Part No.	Description	U/M	Qty
41a	02214560	Hose, R1T x 3.4 M Hyd Man - ST7	Ea	2
42	02208912	Hose Asm TS Hyd Cyl 3.0M ST5-6	Ea	2
42a	02218810	Hose Asm TS Hyd Cyl 3.4M ST5-6-7	Ea	2
43	02212820	Hose Asm - R1T 90 x STR 3.7M ST4	Ea	2
43a	02208914	Hose Asm Jack	Ea	2
44	02212870	Control, Hyd Flow	Ea	2
45	02212721	Valve 3 Section Hyd Directional	Ea	1
46	02214090	Bracket, 3 Lever Valve	Ea	1
47	02214100	U-Bolt M10	Ea	2
48	02214080	Cover 3 Lever Valve	Ea	1
50	02217000	Stop Turret Pin	Ea	1
51	02217860	Stop Lever For US TS	Ea	1
51a	02217870	Stop Lever for US CS	Ea	1
52	02217880	Fix Stop Lever US	Ea	2
53	02217890	Spring 30 x 1 L:100 US	Ea	2
54	02217900	Hand Grip M8	Ea	2



# Spool (pg. 1)

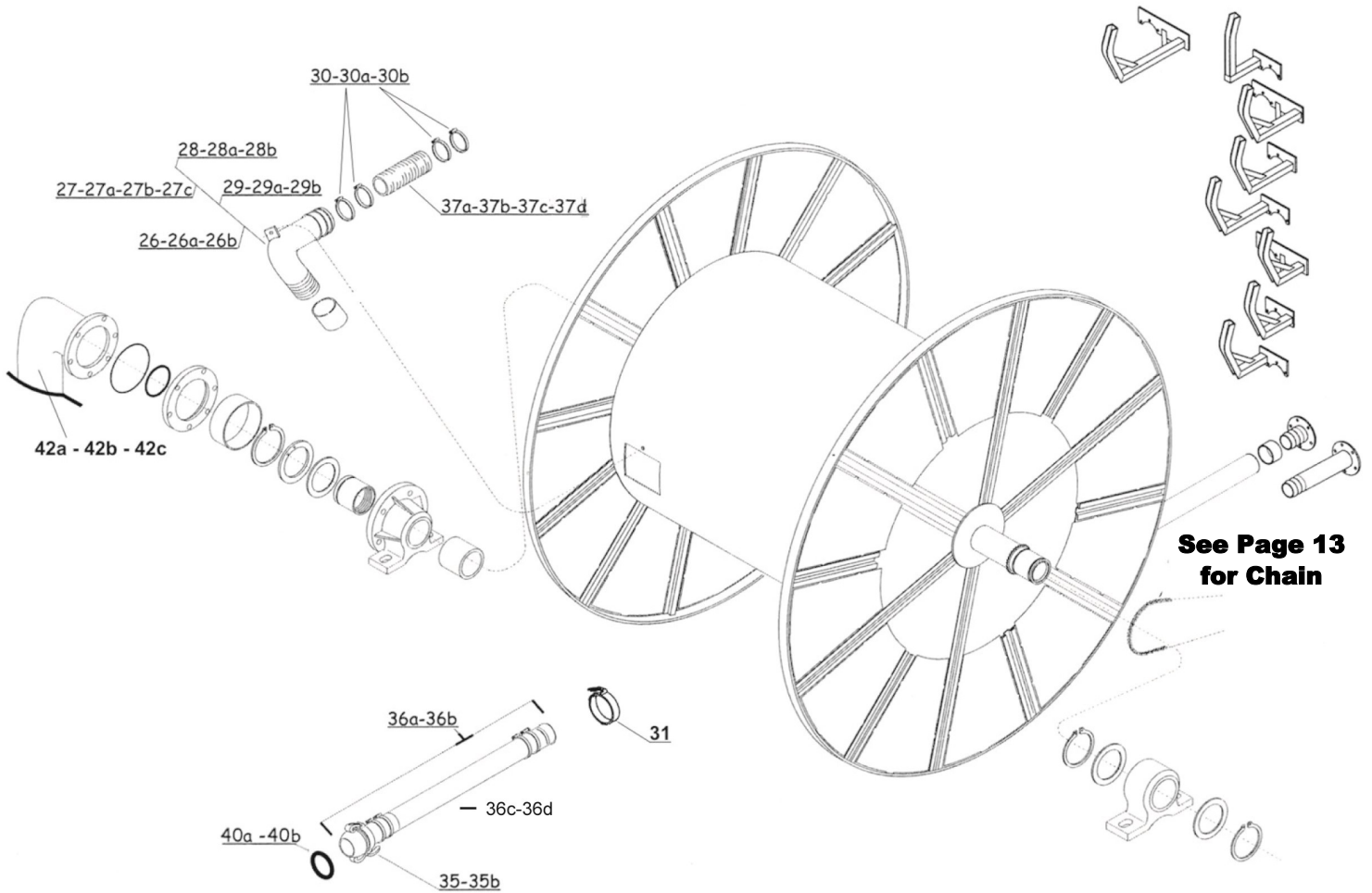


Item	Part No.	Description	U/M	Qty
1	02204840	O-Ring 104mm x 3.53mm - ST4	Ea	1
1a	02200390	O-Ring 5 1/8" OD x 1/8" CS - ST5	Ea	1
1b	02204861	O-Ring 154mm ID x 3.53mm - ST6-7	Ea	1
2	02210100	O-Ring 69.22mm x 5.33mm - ST4	Ea	1
2a	02210370	O-Ring 3.35" ID x .210" CS - ST5	Ea	1
2b	02208420	O-Ring 6mm x 110mm - ST6-7	Ea	1
****	****	<b>O-RING USED AFTER SERIAL NUMBER_49200+</b>	****	****
2c	02221540	O-Ring 70mm ID X 10mm CS ST3-4	Ea	1
2d	02221550	O-Ring 85mm ID X 1mm CS ST5	Ea	1
2e	02221560	O-Ring 110mm ID X 10mm CS ST6-7	Ea	1
3	02214462	Ring, Sealing - ST4	Ea	1
3a	02214461	Ring, Sealing - ST5	Ea	1
3b	02214460	Ring, Sealing - ST6-7	Ea	1
4	02206990	Spacer - ST4	Ea	1
4a	02214020	Spacer - ST5	Ea	1
4b	02207541	Spacer - ST6-7	Ea	1
5	02000428	Snap Ring 6mm - ST4	Ea	3
5a	02200370	Snap Ring E85 - ST5	Ea	3
5b	02099061	Snap ring E-110 - ST6-7	Ea	3
6	02000439	Washer Thrust - ST4	Ea	1
6a	02211880	Washer Thrust - ST5	Ea	1
6b	02200090	Washer Thrust - ST6-7	Ea	1
7	02000441	Washer, Wear - ST4	Ea	1
7a	02200360	Washer, Wear - ST5	Ea	1
7b	02200100	Washer, Wear - ST6-7	Ea	1
9	02000442	Bearing Flanged - ST4	Ea	1
9a	02200320	Bearing Flanged - ST5	Ea	1

Item	Part No.	Description	U/M	Qty
9b	02200130	Bearing Flanged - ST6-7	Ea	1
10	02210780	Sleeve - ST4	Ea	1
10a	02211610	Sleeve - ST5	Ea	1
10b	02213850	Sleeve - ST6-7	Ea	1
11	02000429	Spacer - ST4	Ea	2
11a	02200380	Spacer - ST5	Ea	2
11b	02217930	Spacer - ST6-7	Ea	2
12	02000430	Support Bearing - ST4	Ea	1
12a	02099581	Support Bearing - ST5	Ea	1
12b	02200150	Support Bearing - ST6-7	Ea	1
13	02218820	2.5" (75mm) Hose Ring with Flange & Stop	Ea	1
14	02218821	2.7" (82mm) Hose Ring with Flange Hyd/Man	Ea	1
15	02218822	3.0" (90mm) Hose Ring with Flange Hyd/Man	Ea	1
16	02218823	3.3" (100mm) Hose Ring with Flange Hyd/Man	Ea	1
17	02218824	3.7" (110mm) Hose Ring with Flange Hyd/Man	Ea	1
18	02218825	4.0" (120mm) Hose Ring with Flange Hyd/Man	Ea	1
19	02099450	Band, Hose 75mm	Ea	2
20	0209912	Band, Hose 82mm	Ea	2
21	02099113	Band, Hose 90mm	Ea	2
22	02099114	Band, Hose 100mm	Ea	2
23	02099115	Band, Hose 110mm	Ea	2
24	02003833	Band, Hose 120mm	Ea	2



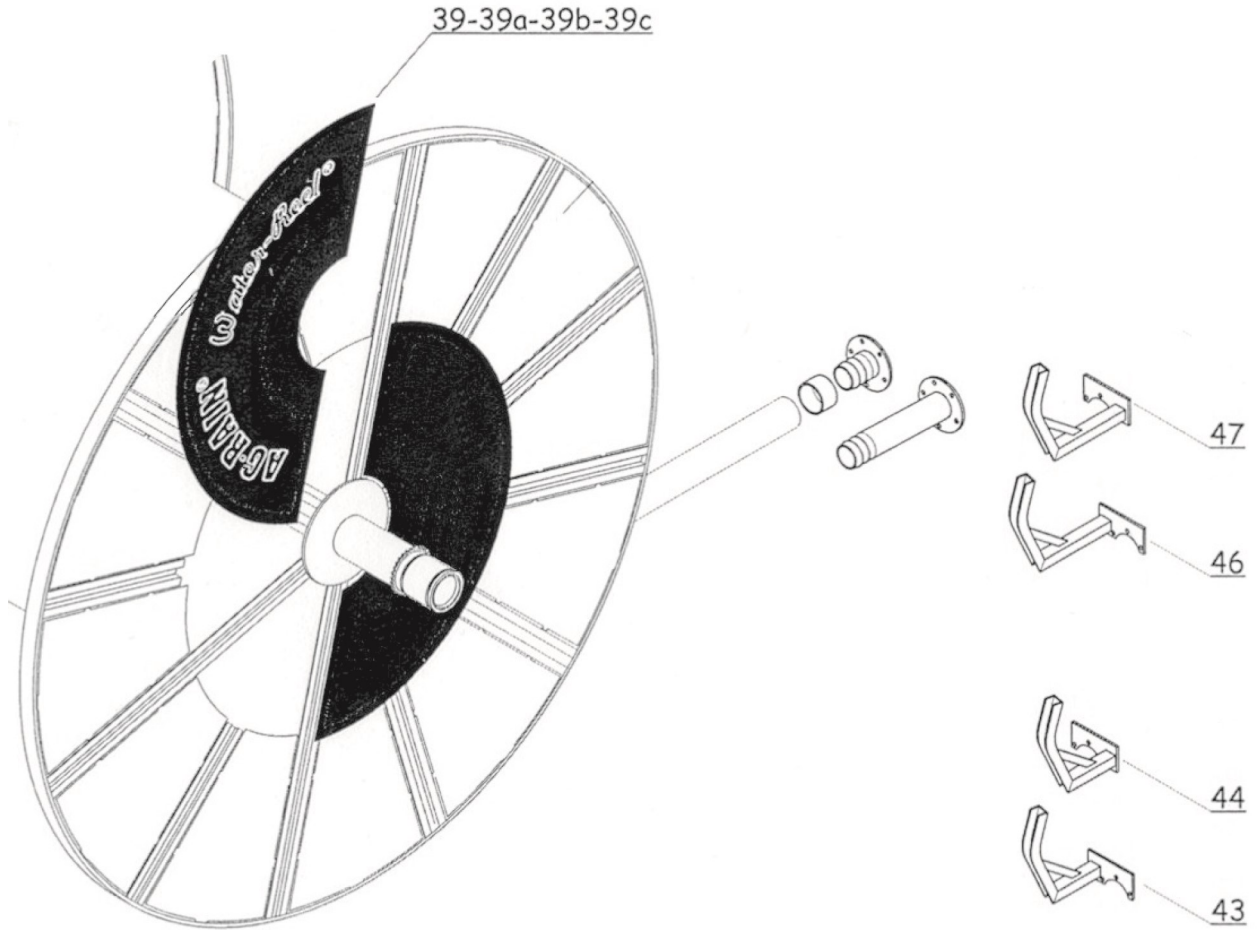
# Spool (pg. 2)



Item	Part No.	Description	U/M	Qty
26	02210811	Elbow 75mm - ST4	Ea	1
26a	02210810	Elbow 82mm - ST4	Ea	1
26b	02212290	Elbow 90mm - ST4	Ea	1
27	02212530	Elbow 82mm - ST5	Ea	1
27a	02211620	Elbow 90mm - ST5	Ea	1
27b	02212300	Elbow 100mm - ST5	Ea	1
27c	02212151	Elbow 110mm - ST5	Ea	1
28	02211622	Elbow 100 mm - ST6	Ea	1
28a	02212150	Elbow 110 mm - ST6	Ea	1
28b	02212152	Elbow 120 mm - ST6	Ea	1
29	02213860	Elbow 100mm - ST7	Ea	1
29a	02213861	Elbow 110mm - ST7	Ea	1
29b	02213862	Elbow 120mm - ST7	Ea	1
30	03019194	Supra Clamp 73-79mm - ST4	Ea	4
30a	03019215	Supra Clamp 85-91mm - ST5	Ea	4
30b	03019258	Supra Clamp 112-121mm - ST6-7	Ea	4
31	40049270	Band, Ring Lock 4"	Ea	1

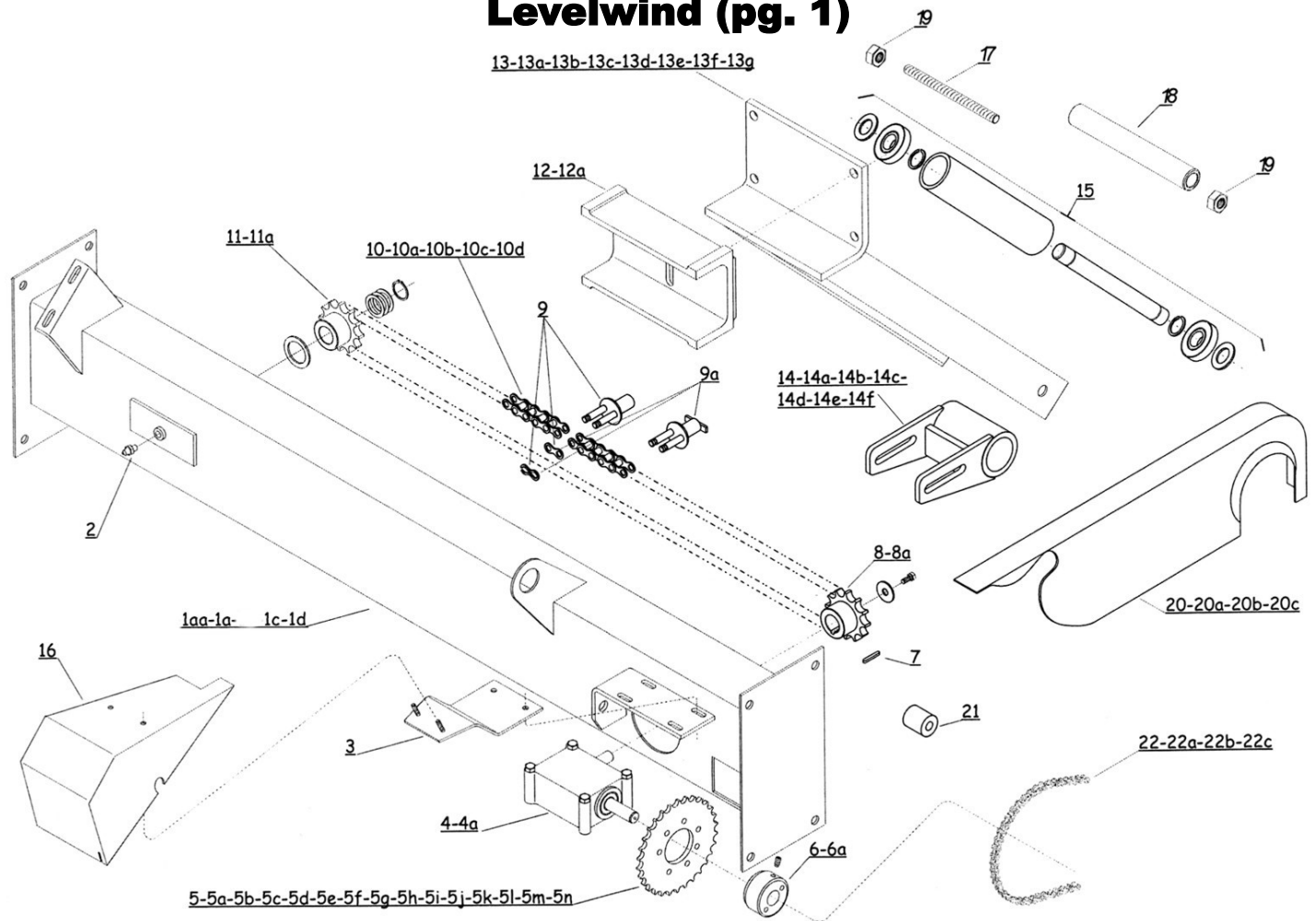
Item	Part No.	Description	U/M	Qty
35	58800221	Lever Ring 3" 451 76mm - ST4	Ea	1
35b	58800231	Lever Ring 4" 451 108mm	Ea	1
36a	58802841	Hose Asm-Supply 3" x 30' - ST4	Ea	1
36b	58802840	Hose Asm-Supply 4" x 30' - ST5-6-7	Ea	1
36c	25249622	Hose Only 3" - ST4	FT	30
36d	25279620	Hose Only 4" - ST5-6-7	FT	30
36e	03019240	Supra Clamp 104-112mm (4" Only-Not Shown)	Ea	4
37a	02201480	Hose, 70x79mm (23.7" Long) - ST4	Ea	1
37b	02200310	Hose, 80x98mm (32.287" Long) - ST5	Ea	1
37c	02216271	Hose, 100x118mm (21.65" Long) - ST6	Ea	1
37d	02216270	Hose, 100x118mm (27.6" Long) - ST7	Ea	1
40a	58800233	O-Ring 4" - ST5-6-7 (Not Shown)	Ea	1
40b	58800223	O-Ring 4" - ST4 (Not Shown)	Ea	11
42a	02211150	Elbow, Upper (Comer Box) - ST4	Ea	1
42b	02211840	Elbow, Upper 6" Flng to Weld (Comer) - ST5	Ea	1
42c	02212100	Elbow, Upper - ST6-7	Ea	1

# Spool (pg. 3)



Item	Part No.	Description	U/M	Qty
39	50301800	Shield, Spool "Ag-Rain" - ST4	Ea	4
39a	50301801	Shield, Spool "Ag-Rain" - ST5	Ea	4
39b	50301802	Shield, Spool "Ag-Rain" - ST6	Ea	4
39c	50301803	Shield, Spool "Ag-Rain" - ST7	Ea	4
43	02218690	End Switch Bar CS - ST4-5	Ea	1
44	02218691	End Switch Bar TS - ST4-5	Ea	1
46	02218693	End Switch Bar CS - ST6-7	Ea	1
47	02218694	End Switch Bar TS - ST6-7	Ea	1

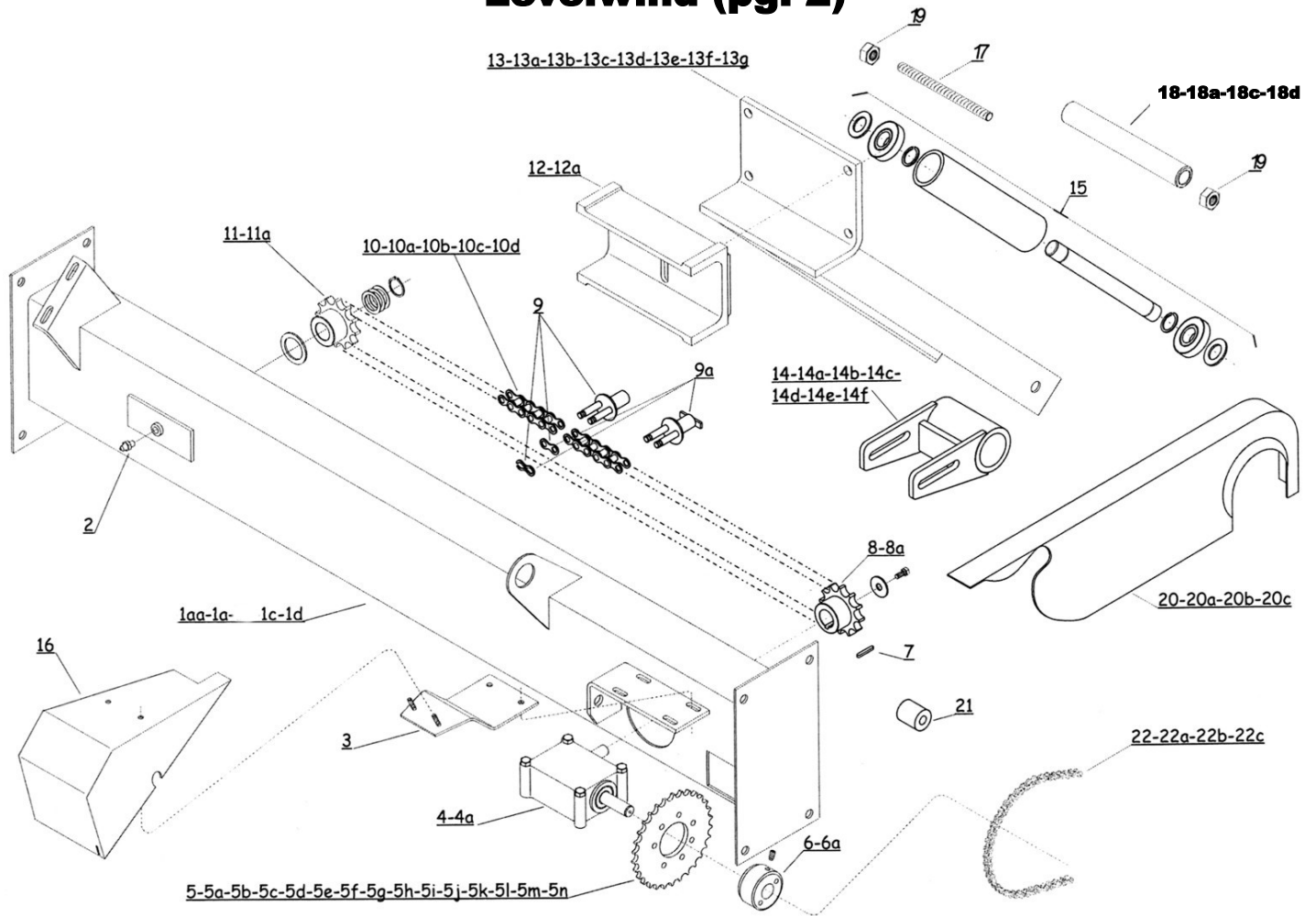
# Levelwind (pg. 1)



Item	Part No.	Description	U/M	Qty
1aa	02219940	Levelwind Frame 54.75" OAL - ST4	Ea	1
1a	02211630	Levelwind Frame - ST5	Ea	1
1c	02218850	Levelwind Frame (Large) - ST6	Ea	1
1d	Consult Factory	Levelwind Frame - ST7	Ea	1
2	n/a	Zerk	Ea	1
3	02210930	Shield Mt.	Ea	1
4	02001085	Gear Box, Right Angle - ST4	Ea	1
4a	02000154	Gear box - Levelwind(Cast) - ST5-6-7	Ea	1
5	02203863	Sprkt 1/2" x 36 Tooth (63mm Hose)-ST4	Ea	1
5a	02203861	Sprkt 1/2" x 32 Tooth (70mm Hose)-ST4	Ea	1
5b	02000482	Sprkt 1/2" x 30 Tooth (75mm Hose)-ST4	Ea	1
5c	02203864	Sprkt 1/2" x 27 Tooth (82mm Hose)-ST4	Ea	1
5d	02201250	Sprkt 1/2" x 25 Tooth (90mm Hose)-ST4	Ea	1
5e	02008670	Sprkt 1/2" x 43 Tooth (75mm Hose)-ST5	Ea	1
5f	02210950	Sprkt 1/2" x 39 Tooth (82mm Hose)-ST5	Ea	1
5g	02211640	Sprkt 1/2" x 35 Tooth (90mm Hose)-ST5	Ea	1
5h	02203862	Sprkt 1/2" x 31 Tooth (100mm Hose)-ST5	Ea	1
5i	02201240	Sprkt 1/2" x 29 Tooth (110mm Hose)-ST5	Ea	1
5j	02203865	Sprkt 1/2" x 50 Tooth (82mm Hose)-ST6	Ea	1
5k	02099156	Sprkt 1/2" x 45 Tooth (90mm Hose)-ST6	Ea	1
5l	02099157	Sprkt 1/2" x 40 Tooth (100mm Hose)-ST6-7	Ea	1
5m	02203863	Sprkt 1/2" x 36 Tooth (110mm Hose)-ST6-7	Ea	1
5n	02004610	Sprkt 1/2" x 33 Tooth (120mm Hose)-ST6-7	Ea	1
6	02000153	Hub Sprocket	Ea	1
6a	02208410	Double Hub Sprocket	Ea	1
7	02207880	Key, 7mm x 8mm x 25mm	Ea	1
8	02209040	Sprocket 10 Tooth 1.0" Pitch	Ea	1

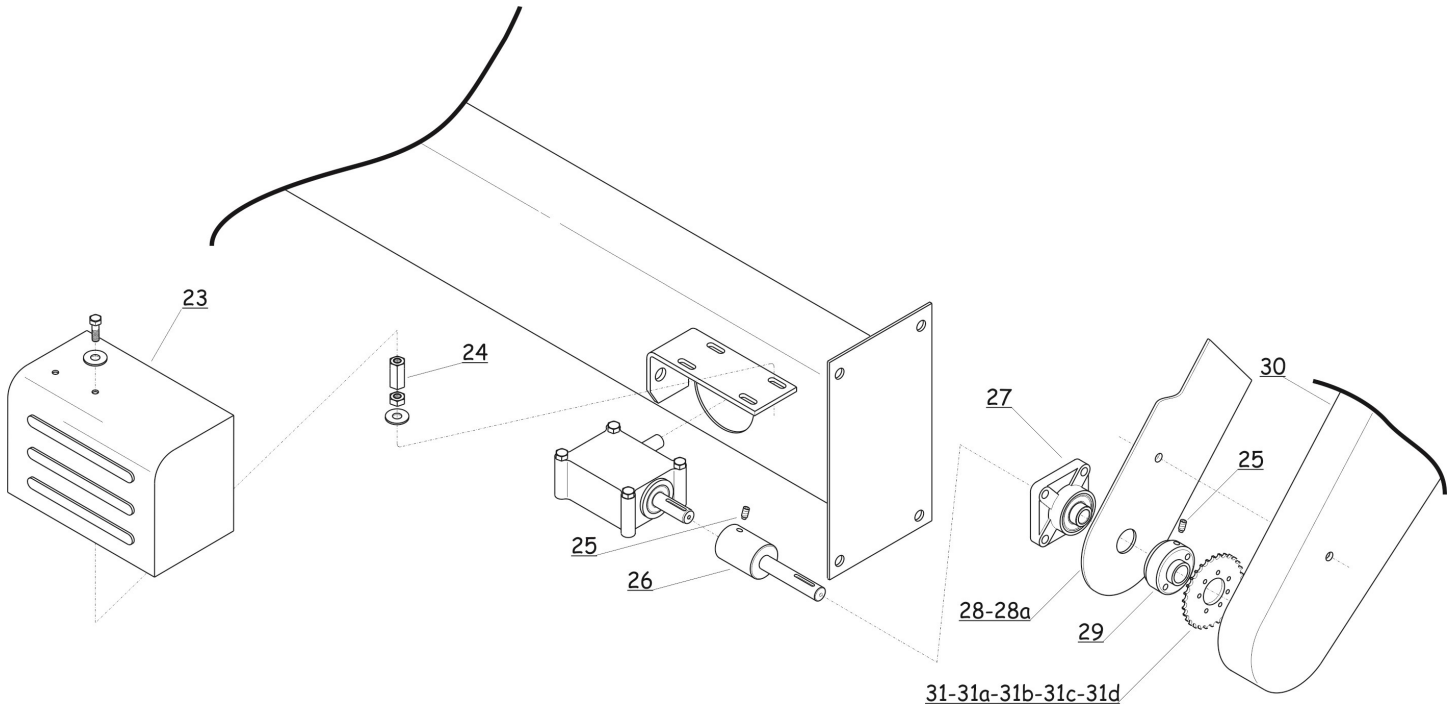
Item	Part No.	Description	U/M	Qty
8a	02000479	Sprkt, Levelwind Driver 13T 5/8"	Ea	1
9	02209051	Link, Hose Guide, Oval End 1"	Ea	1
9a	02209050	Link, Hose Guide, Oval End 5/8"	Ea	1
10	02001141	Chain 5/8 Metric Roller 143p - ST4	FT	7.45
10a	87548482	Chain 1.0" 85p - ST5	FT	7.08
10b	87548482	Chain 1.0" 84p(110 Dia.) - ST5	FT	7.00
10d	87548482	Chain 1.0" 99p - ST6-7	FT	8.25
11	02000475	Sprkt, Levelwind Idler 13T - ST4	Ea	1
11a	02099148	Sprkt, Idler 80B10T 25mm	Ea	1
12	02210970	Support Fork - ST4	Ea	1
12a	02209080	Support Fork - ST5-6-7	Ea	1
13	02210981	Fork Asm 75mm - ST4	Ea	1
13a	02210980	Fork Asm 82-90mm - ST4	Ea	1
13b	02211661	Fork Asm 75mm - ST5	Ea	1
13c	02211660	Fork Asm 82-90mm - ST5	Ea	1
13d	02211662	Fork Asm 100-110mm (4.5) - ST5	Ea	1
13e	02211932	Fork Asm 100-110mm (141 Deg) - ST6	Ea	1
13f	02211931	Fork Asm 120mm (141 Deg) - ST6	Ea	1
13g	02213871	Fork Asm 120mm (137 Deg) - ST7	Ea	1
14	02210990	Guide Fork 75, 82, 90 - ST4	Ea	1
14a	02210991	Guide Fork 82, 90, 100 - ST5	Ea	1
14b	02210992	Guide Fork 110 - ST5	Ea	1
14c	02212072	Guide Fork 100/110 - ST6	Ea	1
14d	02212071	Guide Fork 120 - ST6	Ea	1
14e	02218010	Guide Fork 100/110 - ST7	Ea	1
14f	02218011	Guide Fork 120 - ST7	Ea	1
15	02209110	Roller Vertical - ST6-7	Ea	2

# Levelwind (pg. 2)



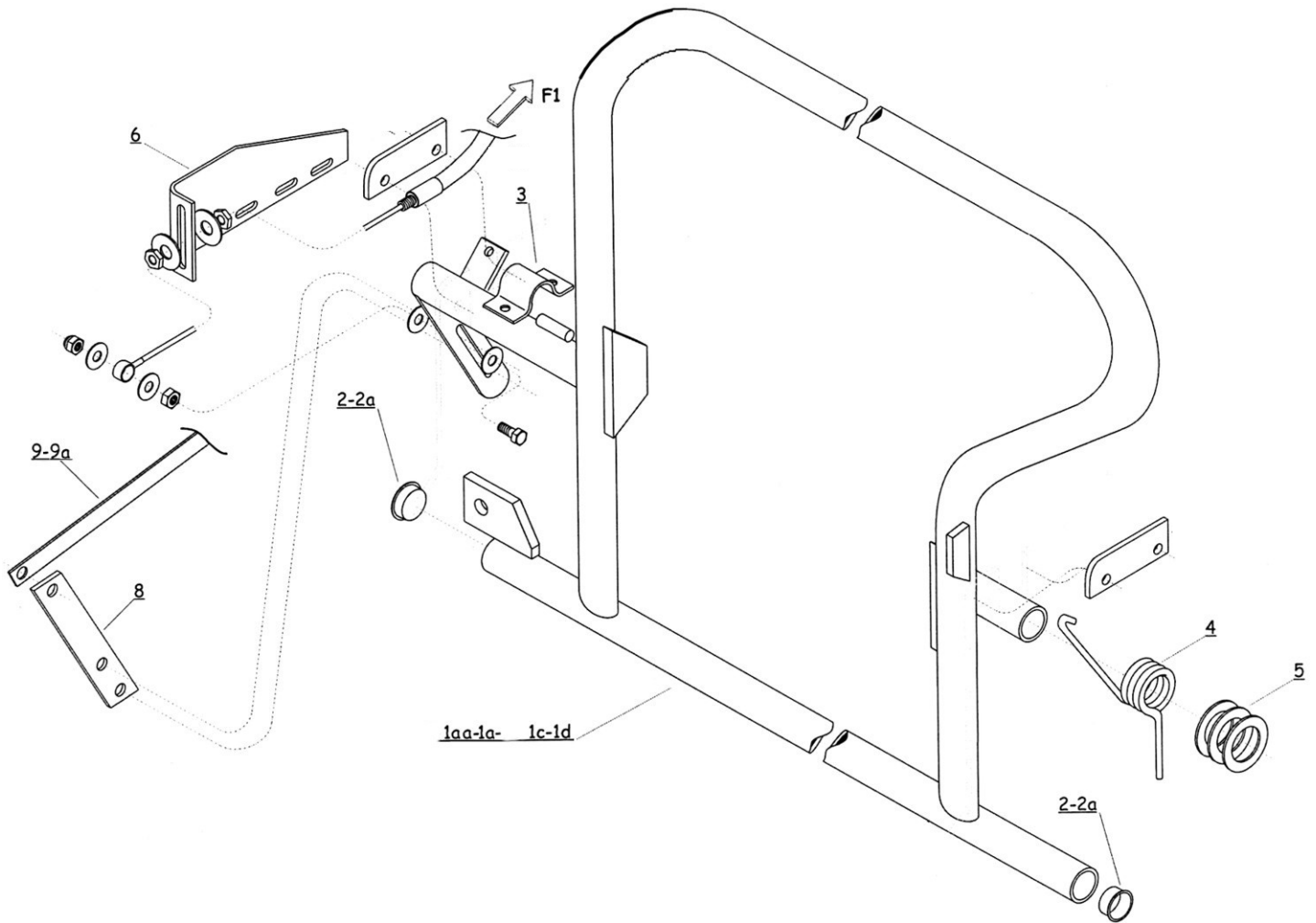
Item	Part No.	Description	U/M	Qty
16	02211010	Shield Levelwind Gearbox	Ea	1
17	02201340	Tie Rod	Ea	1
18	02214060	Spacer 90MMPE Fork (4.33") - ST4	Ea	1
18a	02214061	Spacer 3 - 3.3" (3.6") - ST5	Ea	1
18c	02214063	Spacer 110MMPE Fork (8.86") - ST6	Ea	1
18d	02214064	Spacer 120MMPE Fork (9.25") - ST7	Ea	1
19	n/a	Nut 16mm	Ea	2
20	02218860	Shield Levelwind Drive - ST4	Ea	1
20a	02218861	Shield Levelwind Drive - ST5	Ea	1
20b	02218862	Shield Levelwind Drive - ST6	Ea	1
20c	02218863	Shield Levelwind Drive - ST7	Ea	1
21	02211040	Chain Tightener	Ea	1
22	02001140	Chain 1/2" 243p (244 Rollers) - ST4	FT	10.13
22a	02001140	Chain 1/2" 263p (264 Rollers) - ST5	FT	10.96
22b	02001140	Chain 1/2" 295p (296 Rollers) - ST6	FT	12.29
22c	02001140	Chain 1/2" 315p (316 Rollers) - ST7	FT	13.13

# Levelwind - ST6-7 (pg. 3)



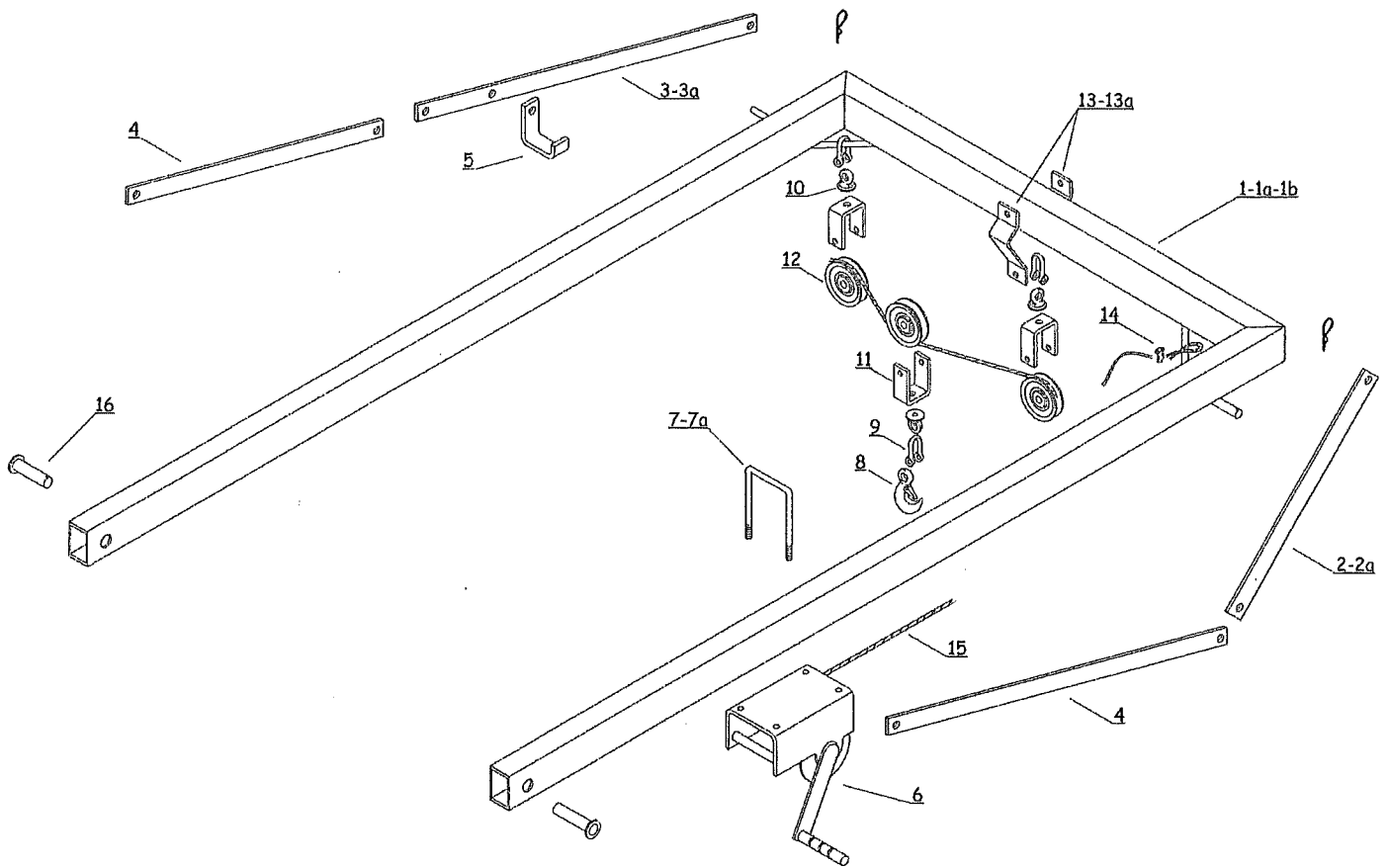
Item	Part No.	Description	U/M	Qty
23	02219460	Bevel Gearbox Shield	Ea	1
24	02220870	Nut - 10mm x 45 mm - Levelwind Guard	Ea	2
25	02000152	Screw 12mmx25mm Dogpoint (7.5mm dia)	Ea	2
26	02220860	Gearbox Shaft Extension - ST6-7	Ea	1
27	02220850	Bearing Support Fork Extension - ST6-7	Ea	1
28	02220820	Inner Chain Guard - ST6	Ea	1
28a	02220830	Inner Chain Guard - ST7	Ea	1
29	02000153	Hub Sprocket	Ea	1
30	02220840	Chain Guard ST6-7	Ea	1
31	02211640	Sprocket 1/2" Z35 (90mm Hose)	Ea	1
31a	02220960	Sprocket 1/2" Z34 (100mm Hose)	Ea	1
31b	02203863	Sprocket 1/2" Z36 (110mm Hose)	Ea	1
31c	02220970	Sprocket 1/2" Z26 (120mm Hose)	Ea	1
31d	02201250	Sprocket 1/2" Z25 (125mm Hose)	Ea	1

# Hose Retention Bar



Item	Part No.	Description	U/M	Qty
1aa	02219930	Shutoff Bar (Wider than Pictured) - ST4	Ea	1
1a	02217831	Shutoff Bar - ST5	Ea	1
1c	02217834	Shutoff Bar (Wider than Pictured) - ST6	Ea	1
1d	Consult Factory	Shutoff Bar - ST7	Ea	1
2	02218020	Plug for Bar - ST4	Ea	2
2a	02218021	Plug for Bar - ST5-6-7	Ea	2
3	02000164	Retainer	Ea	1
4	02200166	Spring Coil Shutoff	Ea	1
5	02211080	Washer	Ea	3
6	02211090	Cable Mt.	Ea	1
7	02211471	Cable, Engine Throttle (105") ST4-5-6	Ea	1
8	02218030	Honda Engine Regulation Rod Support	Ea	1
9	02218031	Honda Engine Regulation Rod - ST4-5	Ea	1
9a	02218032	Honda Engine Regulation Rod - ST6-7	Ea	1

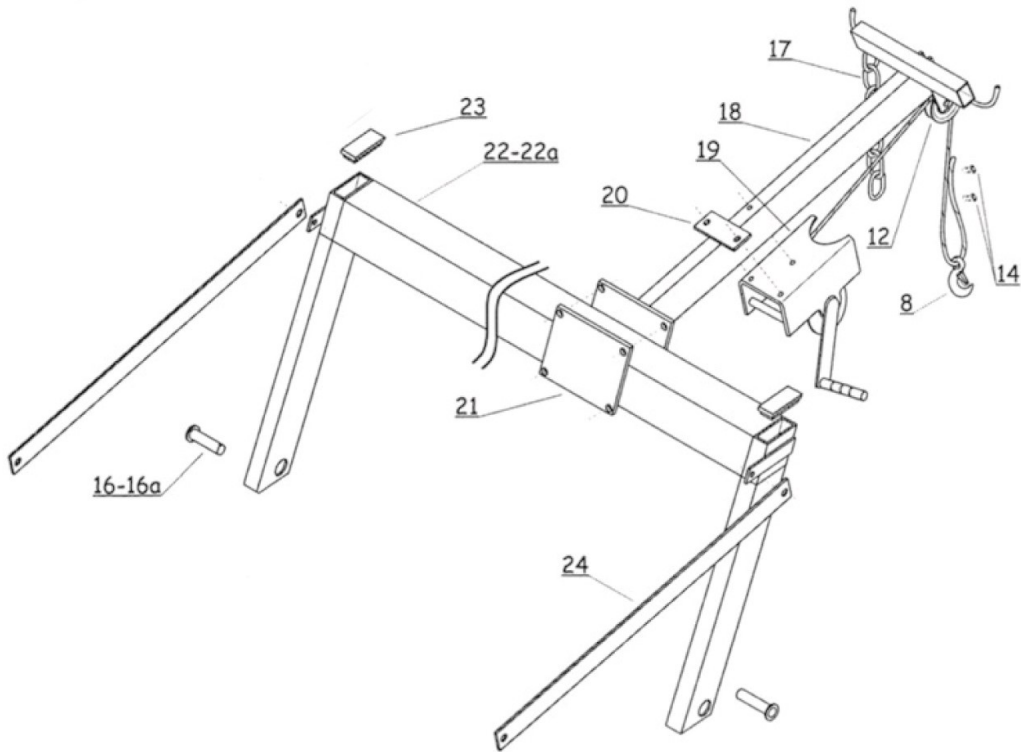
# Manual Guncart Lift (Fixed Frame)



Item	Part No.	Description	U/M	Qty
1	02218040	Fixed Frame ST4	Ea	1
1a	02218041	Fixed Frame ST5	Ea	1
2	02218050	Support Plate L. 123 ST4-5	Ea	1
3	02218060	Support Plate L. 123 ST4-5	Ea	1
4	02218070	Support Plate L. 730 ST4-5-6	Ea	2
5	02218080	Bracket (shipping)	Ea	1
6	02218090	Winch, K750	Ea	1
7	02218100	U-Bolt M8 ST5-6-7	Ea	2
7a	02218101	U-Bolt M8 ST4	Ea	2
8	02218110	Hook	Ea	2
9	02218120	Chain Shackle	Ea	4
10	02218130	Eye Bolt M12F	Ea	4
11	02218140	Fork	Ea	4
12	02218150	Pulley	Ea	4
13	02218160	Pulley Support ST5-6-7	Ea	1
13a	02218161	Pulley Support ST4	Ea	1
14	56005270	Clamp, 1/4 Cable	Ea	1
15	02221110	Cable, 8MM x 8000MM Long	Ea	1
16	02216990	Pin, DIA. 20MM X 100MM Long	Ea	2

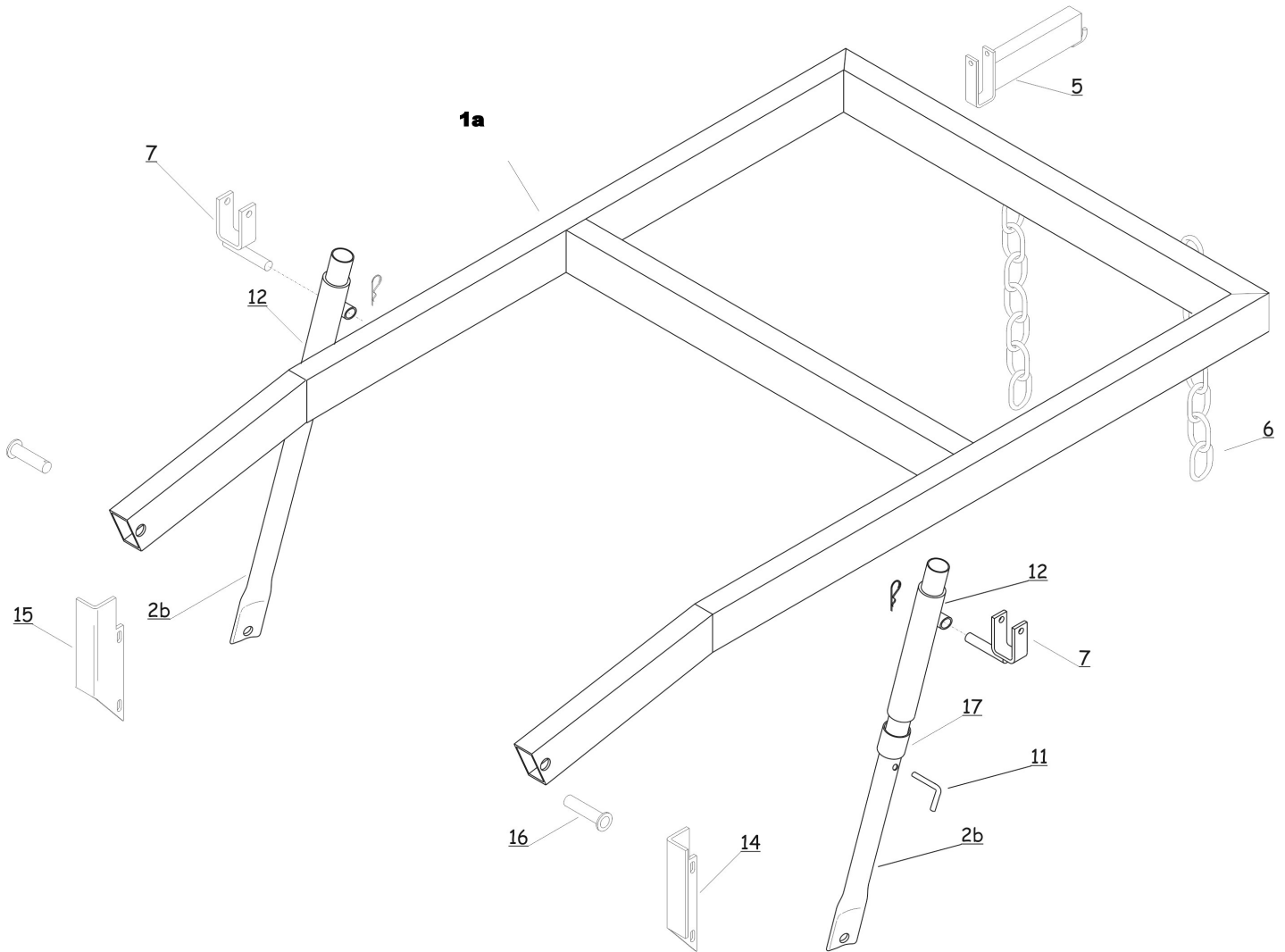


# Manual Guncart Lift



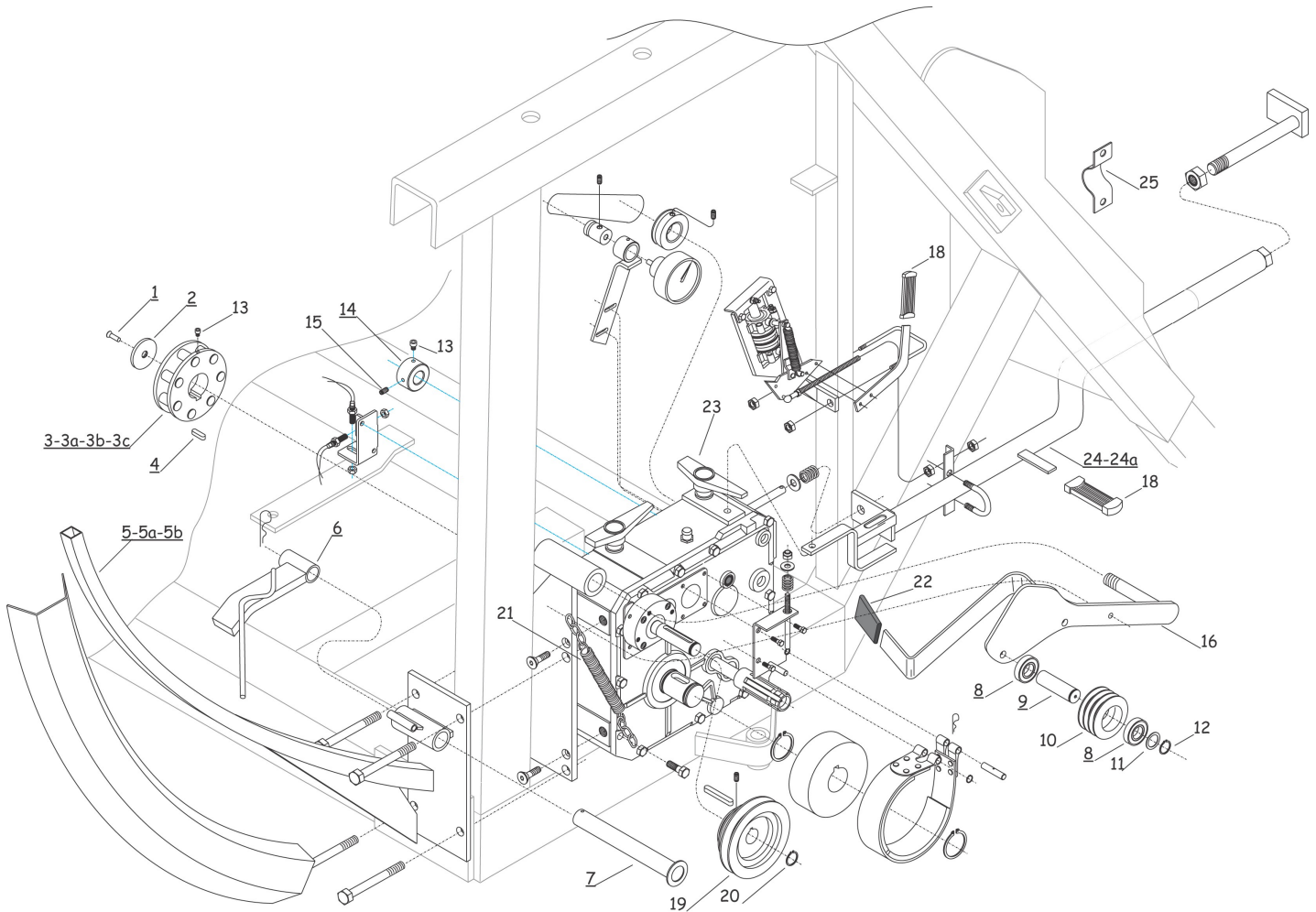
Item	Part No.	Description	U/M	Qty
8	02218110	Hook	Ea	2
12	02218150	Pulley	Ea	1
14	56005270	Clamp 1/4 Cable	Ea	2
16	02220980	Pin 20mm x 85mm (AT40)	Ea	2
16a	02216990	Pin 20mm x 100mm Long	Ea	2
17	02209220	Chain, Cart Lift	Ea	1
18	02218170	Lever Support	Ea	1
19	02218180	Winch K950	Ea	1
20	02218190	Winch Plate Fix	Ea	1
21	02218191	Lever Support Plate Fix	Ea	1
22	02218200	Fixed Frame - ST4	Ea	1
22a	02218201	Fixed Frame - ST5	Ea	1
23	02218210	Plug 70x40	Ea	1
24	02218220	Support Plate	Ea	1

# Hydraulic Guncart Lift



Item	Part No.	Description	U/M	Qty
1a	02212041	Guncart Lift Frame - ST6-7	Ea	1
2b	02212051	Brace-Lift Bail - ST6-7	Ea	2
5	02212060	Hanger - ST6-7	Ea	2
6	02209220	Chain	M	1
7	02209230	Fork ST4-5-6	Ea	2
12	02218240	Awl Guide - ST6-7	Ea	2
14	02218250	Stop Rod (TS) - ST6-7	Ea	1
15	02218251	Stop Rod (CS) - ST6-7	Ea	1
16	02216990	Pin 20mm x 100mm	Ea	2
17		Consult Factory		

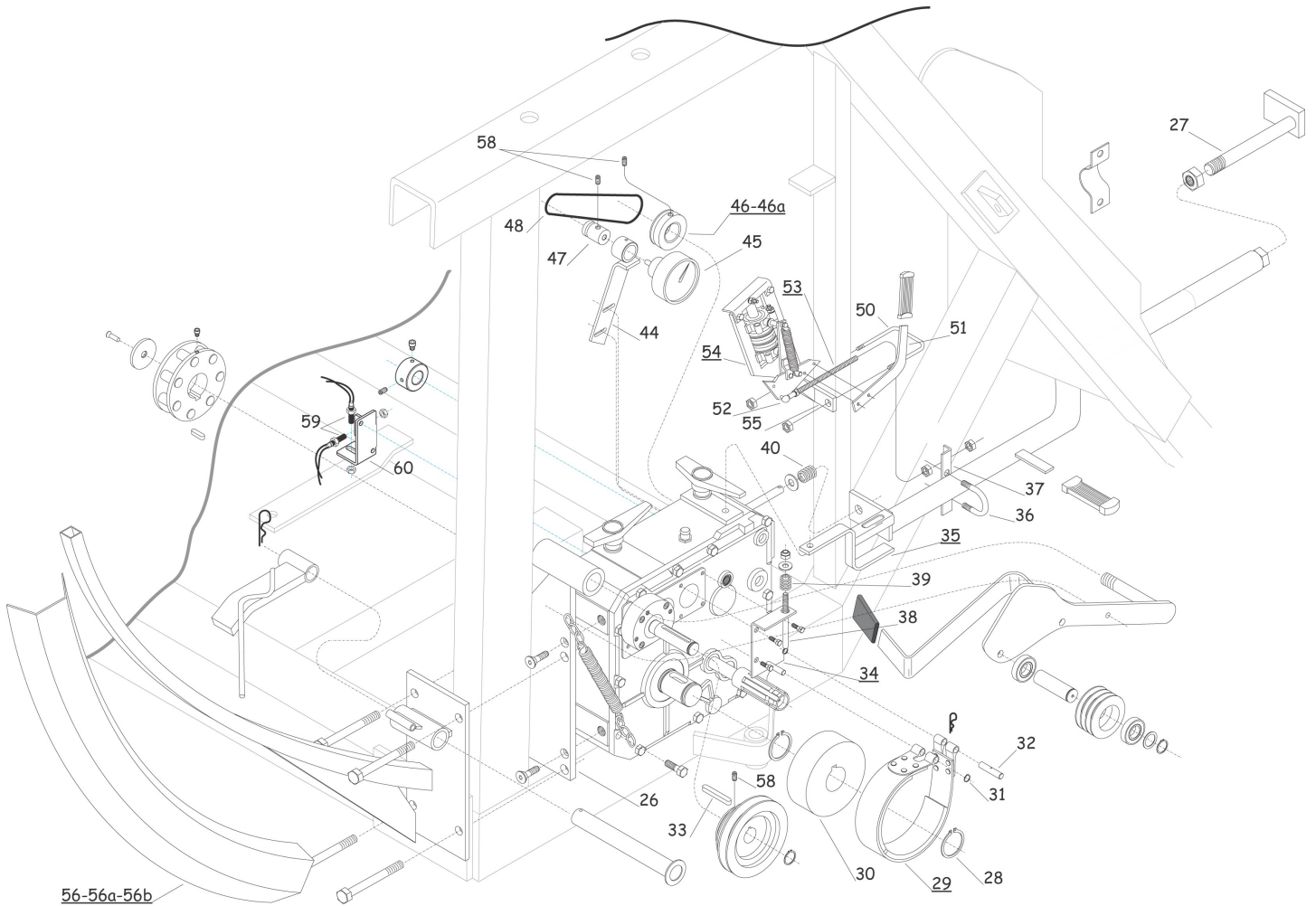
# Turbine Drive Train



Item	Part No.	Description	U/M	Qty
1	55070110	Screw 10 mm x 25 mm - Allen Flat	Ea	1
2	02203590	Washer 12 x 48 x 3	Ea	1
3	02211160	Pinion 35 Bore 16 Pin 115 OD Z7 (ST4)	Ea	1
3a	02211161	Pinion 35 Bore 16 Pin 124 OD Z7 (ST5)	Ea	1
3b	02211162	Pinion 35 Bore 20 Pin 135 OD Z7 (ST6)	Ea	1
3c	02211163	Pinion 35 Bore 20 Pin 150 OD Z7 (ST7)	Ea	1
4	02018880	Key 10mm x 8mm x 40mm	Ea	1
5a	02211170	Gear Box Plate - ST4-5	Ea	1
5b	02211171	Gear Box Plate - ST6-7	Ea	1
6	02211180	Anti-Return Pawl	Ea	1
7	02203710	Pin - Anti-Return Pawl Shaft	Ea	1
8	02203440	Bearing 6005-2RS	Ea	2
9	02206530	Shaft Belt Idler	Ea	1
10	02206540	Pulley Idler 3 Groove	Ea	1
11	02207030	Spacer 1mm x 25mm x 35mm	Ea	1

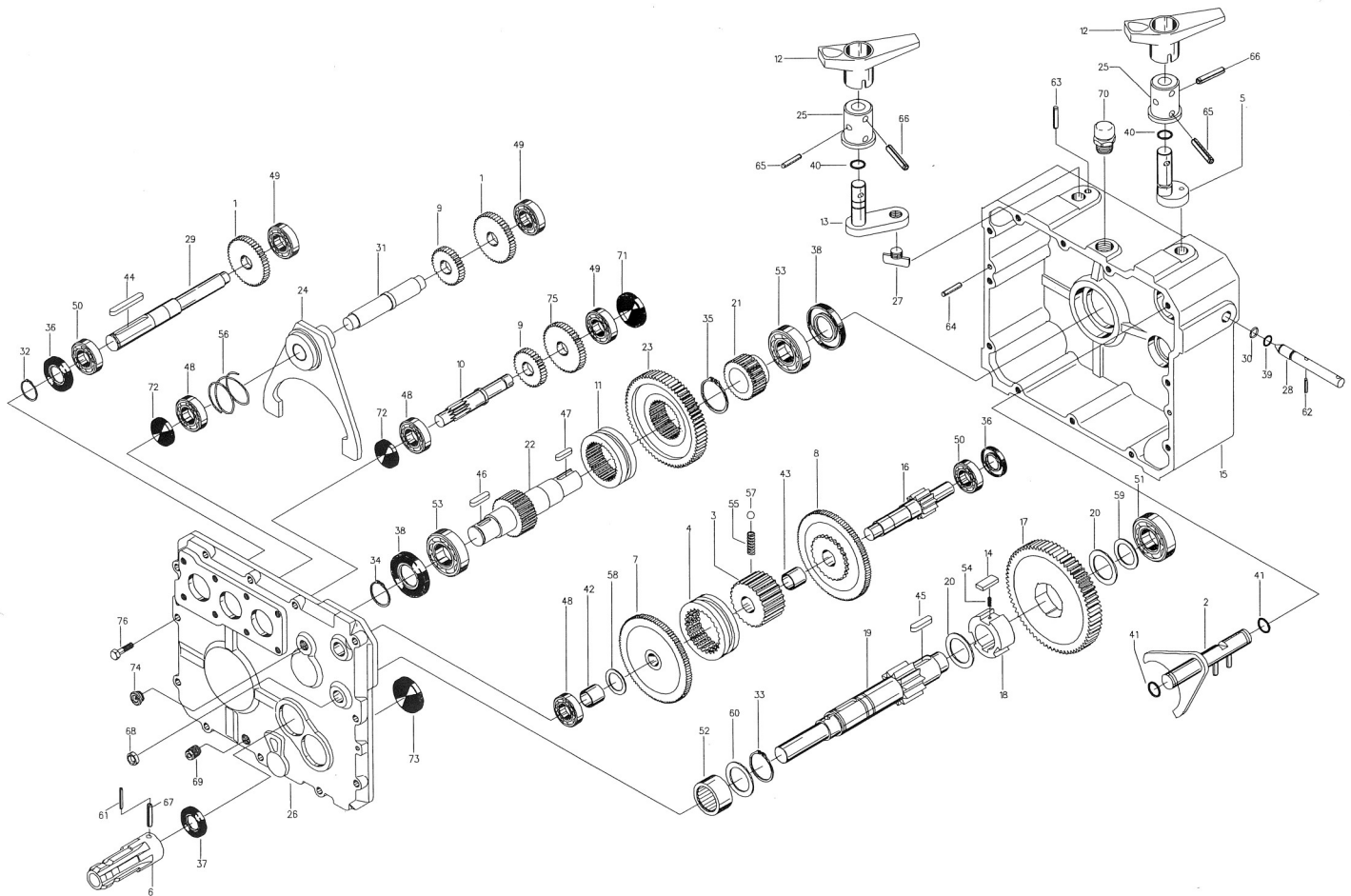
Item	Part No.	Description	U/M	Qty
12	02203420	Snap Ring E25	Ea	1
13	02220220	Magnet - Taky	Ea	2
14	02220230	Magnet Mount - Taky	Ea	1
15	02203200	Set Screw 6 -1.00 x 8mm Long	Ea	1
16	02211221	Arm, Idler Bima	Ea	1
18	02204140	Hand Grip Mod 1040-20x6	Ea	1
19	02213980	Pulley, 3 Step 100M, 125M, 147	Ea	1
20	02201680	Retaining Ring E20	Ea	1
21	02203180	Spring Belt Tightener	Ea	1
22	02211250	Hand Grip Mod 1010-30x8	Ea	1
23	50201901	Gearbox Bima GI10	Ea	1
24	02211275	Rod, Stop Long from Bima ST4-5	Ea	1
24a	02211276	Rod, Stop Long from Bima ST6-7	Ea	1
25	02000164	Retainer	Ea	1

# Turbine Drive Train



Item	Part No.	Description	U/M	Qty	Item	Part No.	Description	U/M	Qty
26	02214390	Plate Adapter Bima	Ea	1	45	02201209	Tachometer Asm 0-400 Ft/Hr	Ea	1
27	02218360	Regulation Screw	Ea	1	46	02214320	Pulley, Tach Bima ST4-5-6	Ea	1
28	02205340	Snap Ring E35	Ea	2	46a	02214451	Pulley, Tach Bima - ST7	Ea	1
29	02214350	Band, Brake Bima	Ea	1	47	02201190	Pulley Green Tach .788	Ea	1
30	02214340	Drum, Brake Bima	Ea	1	48	02203663	Belt, Tach Dia 2.5mm x 580mm	Ea	1
31	02205790	Retaining Ring E10	Ea	1	50	02214100	U-Bolt M10	Ea	1-2
32	02214410	Pin, Brake Bima	Ea	1	51	02211420	Distributor Lever	Ea	1
33	02205510	Key 6 x 50	Ea	1	52	02203410	Rod End	Ea	1
34	02214370	Plate, Brake Bima	Ea	1	53	02221080	Distributor Adjustment Rod	Ea	1
35	02214290	Guide Rod, Bima	Ea	1	54	02211390	Distributor for Shut-off Valve	Ea	1
36	02206650	U-Bolt 1" M6	Ea	1	55	02211410	Distributor Mount	Ea	1
37	02218380	Distributor Guide Plate	Ea	1	56a	02214770	Shield Blank ST4-5	Ea	1
38	02214380	Rod, Brake Bima	Ea	1	56b	02214771	Shield Blank ST6-7	Ea	1
39	02216400	Spring C98	Ea	1	58	02203200	Set Screw 6-1.00 x 8mm Long	Ea	3
40	02218390	Spring B600	Ea	1	59	02220240	Sensor, Taky	Ea	2
44	02214310	Bracket, Tachometer Bima	Ea	1	60	02220250	Mount, Taky Sensor	Ea	1

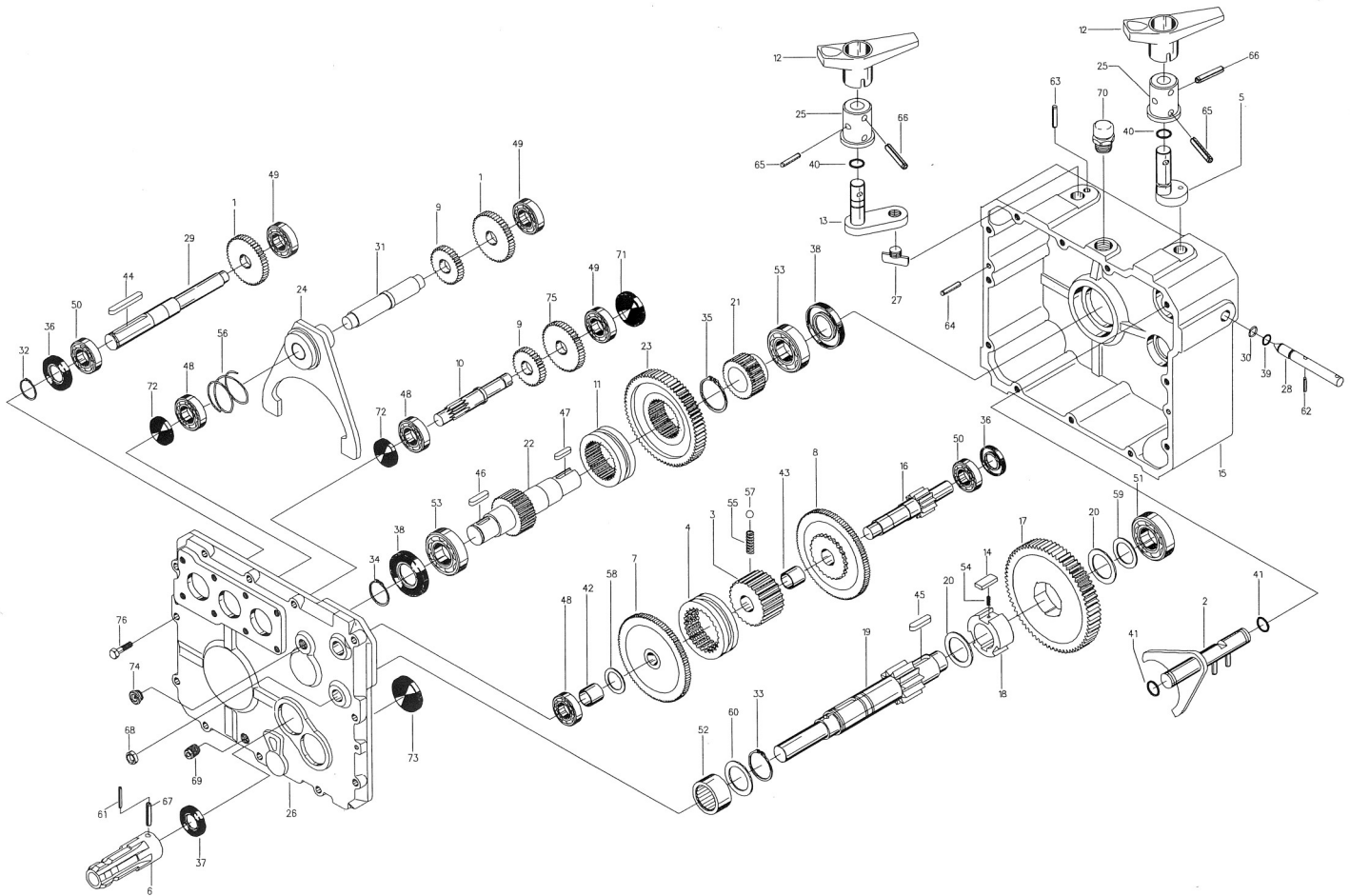
# Turbine Drive—Bima Gearbox



Item	Part No.	Description	U/M	Qty
1	02215550	Gear 2007.038.442	Ea	2
2	02215560	Lever 2008.011.098	Ea	1
3	02215570	Hub 2008.032.042	Ea	1
4	02215580	Hub 2008.039.076	Ea	1
5	02215590	Lever 2008.041.098	Ea	1
6	02215600	Sleeve 2008.055.041	Ea	1
7	02215610	Gear 2008.068.426	Ea	1
8	02215620	Gear 2008.069.426	Ea	1
9	02215630	Gear 2008.070.442	Ea	1
10	02215640	Shaft 2008.073.542	Ea	1
11	02215650	Hub 2018.010.077	Ea	1
12	02215660	Lever 2022.005.032	Ea	2
13	02215670	Lever 2022.006.098	Ea	1
14	02215680	Dog 2047.050.099	Ea	3
15	02216590	Housing 2083.022.101	Ea	1
16	02215700	Shaft 2053-027-542	Ea	1
17	02215710	Gear 2083.028.426	Ea	2
18	02215720	Hub 2083.030.442	Ea	1
19	02215730	Shaft 2083.031.542	Ea	1
20	02215740	Washer 2083.032.061	Ea	2
21	02215750	Hub 2083.033.042	Ea	1
22	02215760	Shaft 2083.034.542	Ea	1
23	02215770	Gear 2083.035.426	Ea	1
24	02215780	Lever 2083.037.098	Ea	1
25	02215790	Hub 2083.038.041	Ea	2
26	02215800	Cover 2083.040.201	Ea	1
27	02215810	Pad 2083.041.042	Ea	1

Item	Part No.	Description	U/M	Qty
28	02215820	Pin 2083.043.041	Ea	1
29	02215831	Shaft 2083.023.541	Ea	1
30	02215840	Snap Ring, D14E 8001.139.000	Ea	1
31	02215833	Shaft 2083.026.542	Ea	1
32	02201680	Snap Ring D20E 8025.209.000	Ea	1
33	02205341	Snap Ring D30E 8025.302.000	Ea	1
34	02205340	Snap Ring D35E 8025.336.000	Ea	1
35	02215870	Snap Ring D80E 8025.590.000	Ea	1
36	02215880	Oil Seal 20 x 35 x 6	Ea	2
37	50406970	Oil Seal 30 x 40 x 7	Ea	1
38	02215890	Oil Seal 40 x 62 x 7	Ea	2
39	02215900	Oil Seal CR 109	Ea	1
40	02215910	Oil Seal CR 3043	Ea	2
41	02215920	Oil Seal CR 3050	Ea	2
42	02215930	Sleeve 18 x 20 x 15 8100.222.000	Ea	1
43	02215940	Sleeve 20 x 23 x 15 8200.226.000	Ea	1
44	02215950	Key 6 x 6 x 50 8125.215.000	Ea	1
45	02207880	Key 8 x 7 x 25 8125.241.001	Ea	1
46	02215960	Key 10 x 8 x 35 8125.312.000	Ea	1
47	02215970	Key 10 x 8 x 50 8125.324.000	Ea	1
48	02215980	Bearing 6302 8200.128.000	Ea	3
49	02215990	Bearing 6202 8200.128.000	Ea	3
50	02219170	Bearing 6004 6200.164.000	Ea	2
51	02216010	Bearing 6205 820.192.000	Ea	1
52	02216020	Bearing HK3012 820.208.000	Ea	1
53	02216030	Bearing 6208 8200.264.000	Ea	2
54	02216040	Spring 8375.050.000	Ea	3

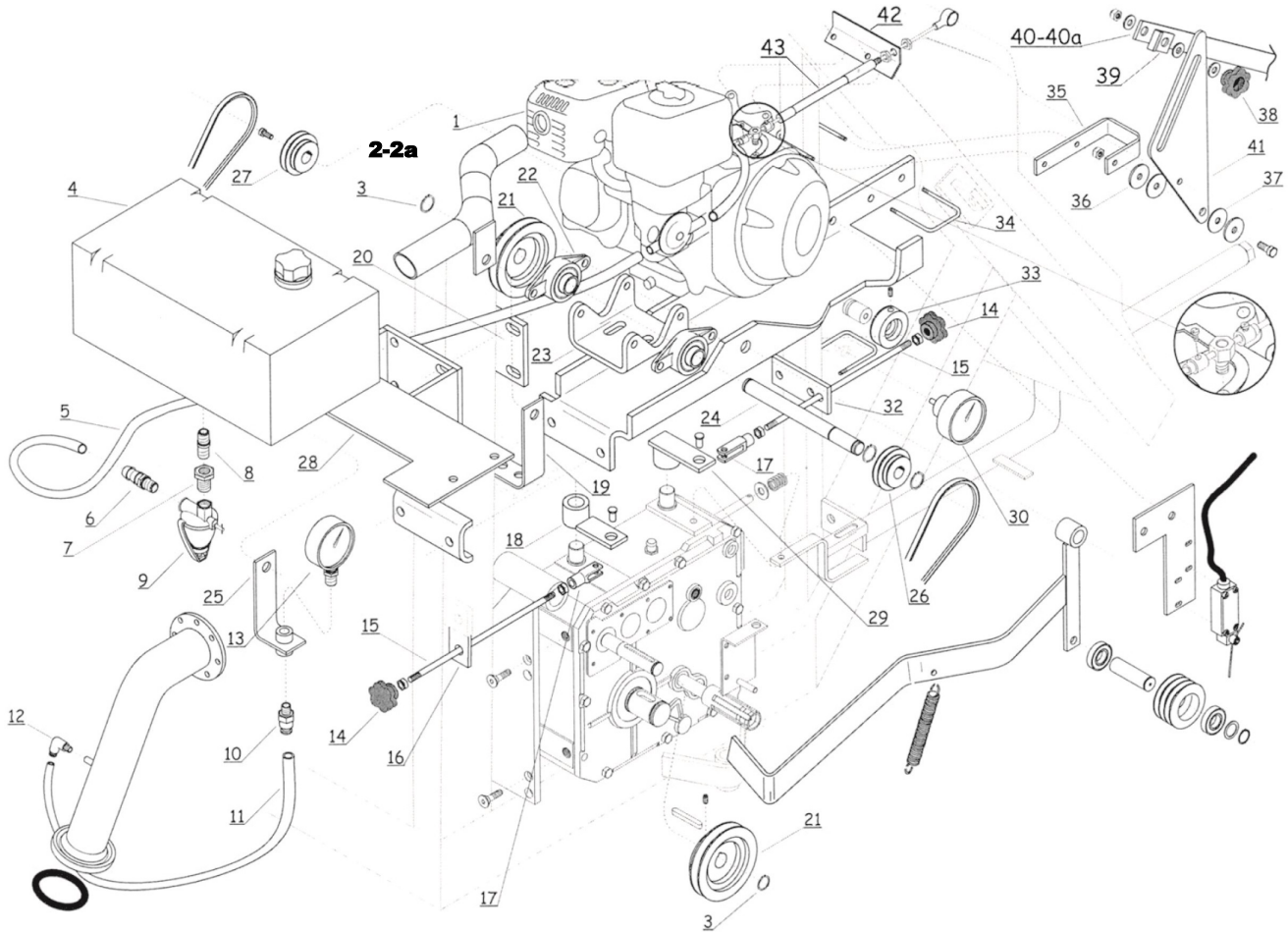
# Turbine Drive—Bima Gearbox



Item	Part No.	Description	U/M	Qty
55	02216050	Spring 8375.080.000	Ea	1
56	02216060	Spring 8375.690.000	Ea	1
57	02216070	Ball 8525.152.000	Ea	1
58	02216080	Sleeve 15.2 x 24.9 x 0.8 8550.233.000	Ea	1
59	02216090	Sleeve 25 x 35 x 1 8550.326.000	Ea	1
60	02216100	Sleeve 30.2 x 39.8 x 1 8550.366.000	Ea	1
61	02216110	Pin 3.5 x 50 ISO8752 8575.160.000	Ea	1
62	02216120	Pin 5 x 24 ISO 8752 8575.229.000	Ea	1
63	02216130	Pin 5 x 16 UNI 1707 8575.270.000	Ea	1
64	02216140	Pin 6 x 20 UNI 1707 8575.275.000	Ea	2
65	02216150	Pin 6 x 30 ISO 8752 8575.284.000	Ea	2

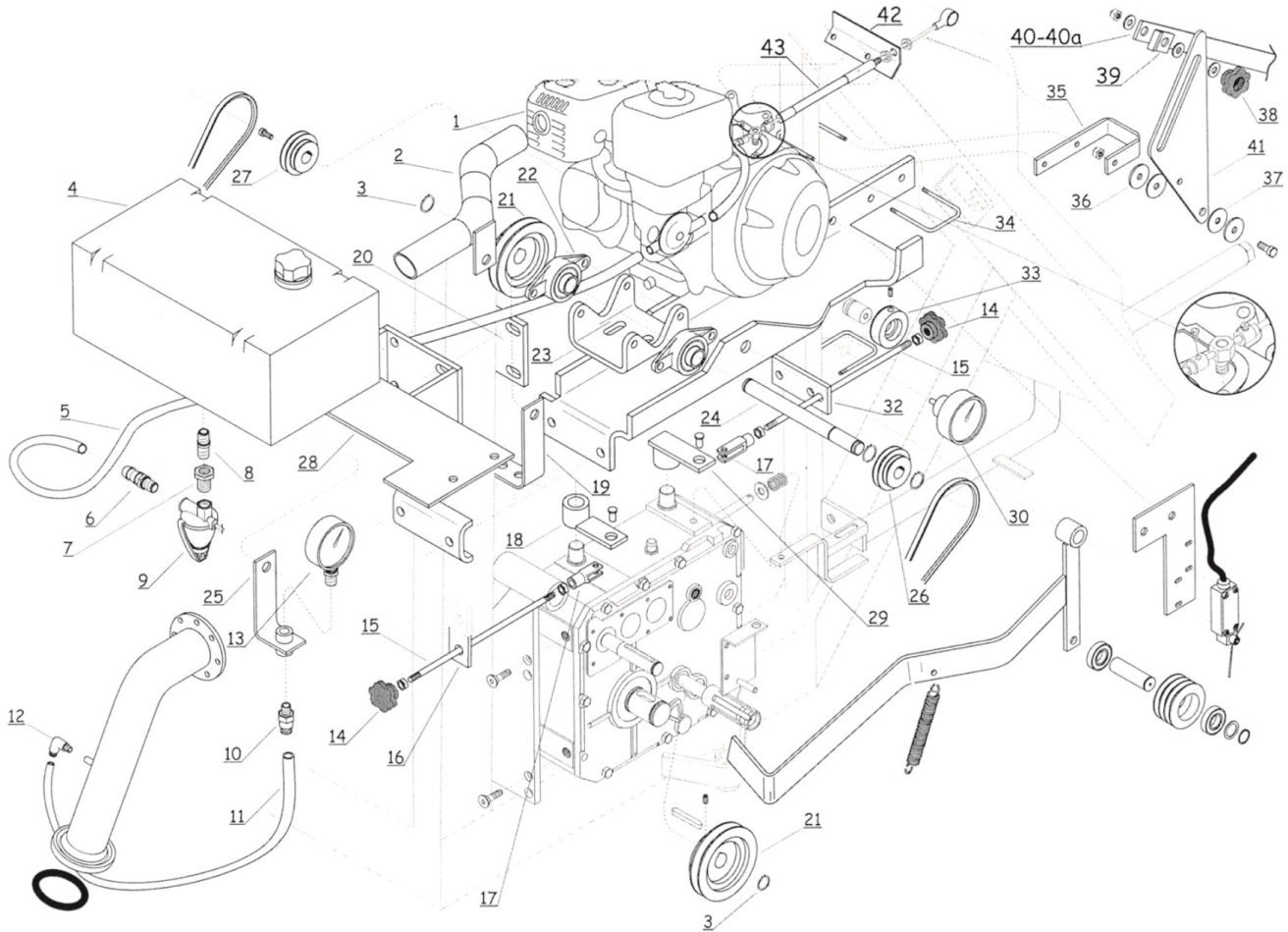
Item	Part No.	Description	U/M	Qty
66	02216160	Pin 6 x 36 ISO 8752 8575.289.000	Ea	2
67	02216170	Pin 6 x 40 ISO 8752 8575.291.000	Ea	1
68	02216180	Plug D75 8600.120.000	Ea	1
69	02216190	Plug 3/8" Gas 8600.144.000	Ea	1
70	02216200	Plug 1/2" Gas 8600.184.000	Ea	1
71	02216210	Plug RCA 22 x 7 8600.215.000	Ea	1
72	02216220	Plug RCA 35 x 8 8600.390.000	Ea	2
73	02216230	Plug RCA 40 x 7 8600.438.000	Ea	1
74	02216240	Plug 3/8" Gas 8625.136.000	Ea	1
75	02215552	Gear 2027.006.442	Ea	1
76	02216260	Screw M 8 x 30 Uni 5739 8675.189.080	Ea	12

# Engine Drive



Item	Part No.	Description	U/M	Qty
1	58407017	Engine Honda 4hp Keyed Shaft	Ea	1
2	02216720	Exhaust Pipe ST6-7	Ea	1
2a	02216721	Exhaust Pipe ST4-5	Ea	1
3	02201680	Retaining Ring E20	Ea	4
4	50207100	Tank, Gas 6 Gallon Plastic with Fittings	Ea	1
5	58406951	Hose, Gas 1/4 x 27/64	Ft	3.3
6	52548760	Barb, Hose Br 1/8" NPT 1/4	Ea	1
7	52547842	Bushing, Reducing Brass 1/4 x 1/8	Ea	1
8	52508981	Nipple, Close Br 1/8 Sch 40	Ea	1
9	27749190	Filter, Glass Bowl Fuel	Ea	1
10	52549153	Fitting, TB STG 1/4 MNPT x 5/16 TB	Ea	1
11	25249392	Tube, Synflex 5/16 OD	Ea	1
12	52549152	Fitting, TB 90 1.4 MNPT x 5/16 TB	Ea	1
13	58606750	Gauge Press 0-300	Ea	1
14	02203910	Hand Wheel	Ea	2
15	02218440	Disengage Speed Rod	Ea	1
16	02216910	Plate, Shifter Mount	Ea	1
17	02218450	Clevis Rod End	Ea	2
18	02218460	Disengage Lever	Ea	1
19	02218470	Exhaust Pipe Support ST6-7	Ea	1
19a	02218471	Exhaust Pipe Support ST4-5 (See 19)	Ea	1
20	02218480	Plate, Clamp Gas Tank Mount	Ea	1
21a	02216730	Pulley, 2 Step, 147 & 125mm 20mm Bore (See 21)	Ea	2
21b	02216731	Pulley, Taper, 147 & 125mm 20mm Bore (See 21)	Ea	2
22	50101460	Bearing Flange (20mm)	Ea	2

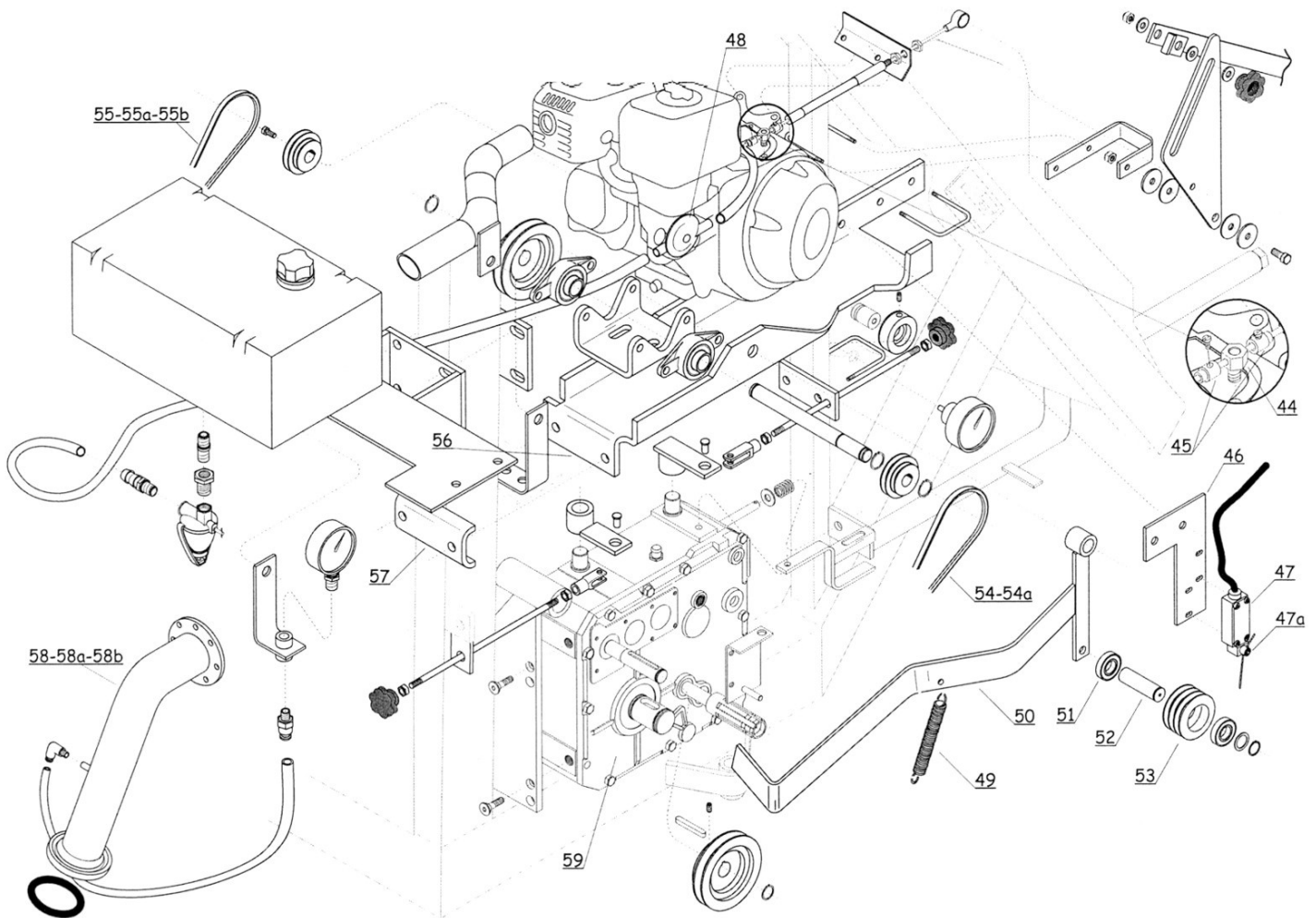
# Engine Drive



Item	Part No.	Description	U/M	Qty
23	02216560	Bracket, Jackshaft Bearing	Ea	1
24	02216570	Shaft, Jack - Irr Engine ST4-5-6-7 (Straight Shaft)	Ea	1
24a	02216571	Shaft, Jack - Irr Engine ST4-5-6-7 (Tapered Shaft - Not Shown)	Ea	1
25	02216840	Gauge Mount Engine Drive	Ea	1
26a	02216580	Pulley, 75mm x 53mm 2 Step w/ Set Screw 20mm (Straight Shaft)	Ea	1
26b	02216581	Pulley, 75mm x 53mm 2 Step w/ Set Screw 20mm (Tapered Shaft - Not Shown)	Ea	1
26c	50802140	Woodruff Key 4mm (Not Shown)	Ea	2
27	02216590	Pulley, 53mm x 75mm 2 Step w/ Set Screw 19mm (Straight Shaft)	Ea	1
27a	02216591	Pulley, 53mm x 75mm 2 Step w/ Set Screw 19mm (Tapered Shaft - Not Shown)	Ea	1
28	02216820	Tank Mount Engine	Ea	1
29	02218490	Lever Gearbox Speed Change	Ea	1
30	02201200	Tachometer Asm 0-400 Ft/Hr	Ea	1
32	02218500	Speed Rod Support Plate	Ea	1
33	02218510	Tach Fix	Ea	1
34	02214100	U-Bolt M10	Ea	3
35	02218520	Compensation Triangle Support	Ea	1
36	02218530	Washer 8mm x 50mm x 5mm	Ea	2
37	02099049	Washer	Ea	2
38	02218540	Hand Wheel 60 x 8mm	Ea	1
39	02218550	Compensation Plate Guide Rod	Ea	1
40	02218031	Honda Engine Regulation Rod ST4-5	Ea	1
40a	02218032	Honda Engine Regulation Rod ST6-7	Ea	1
41	02218560	Compensation Triangle	Ea	1
42	02216790	Cable Mount Engine Drive	Ea	1
43	02216900	Cable 7mm x 190mm M8	Ea	1

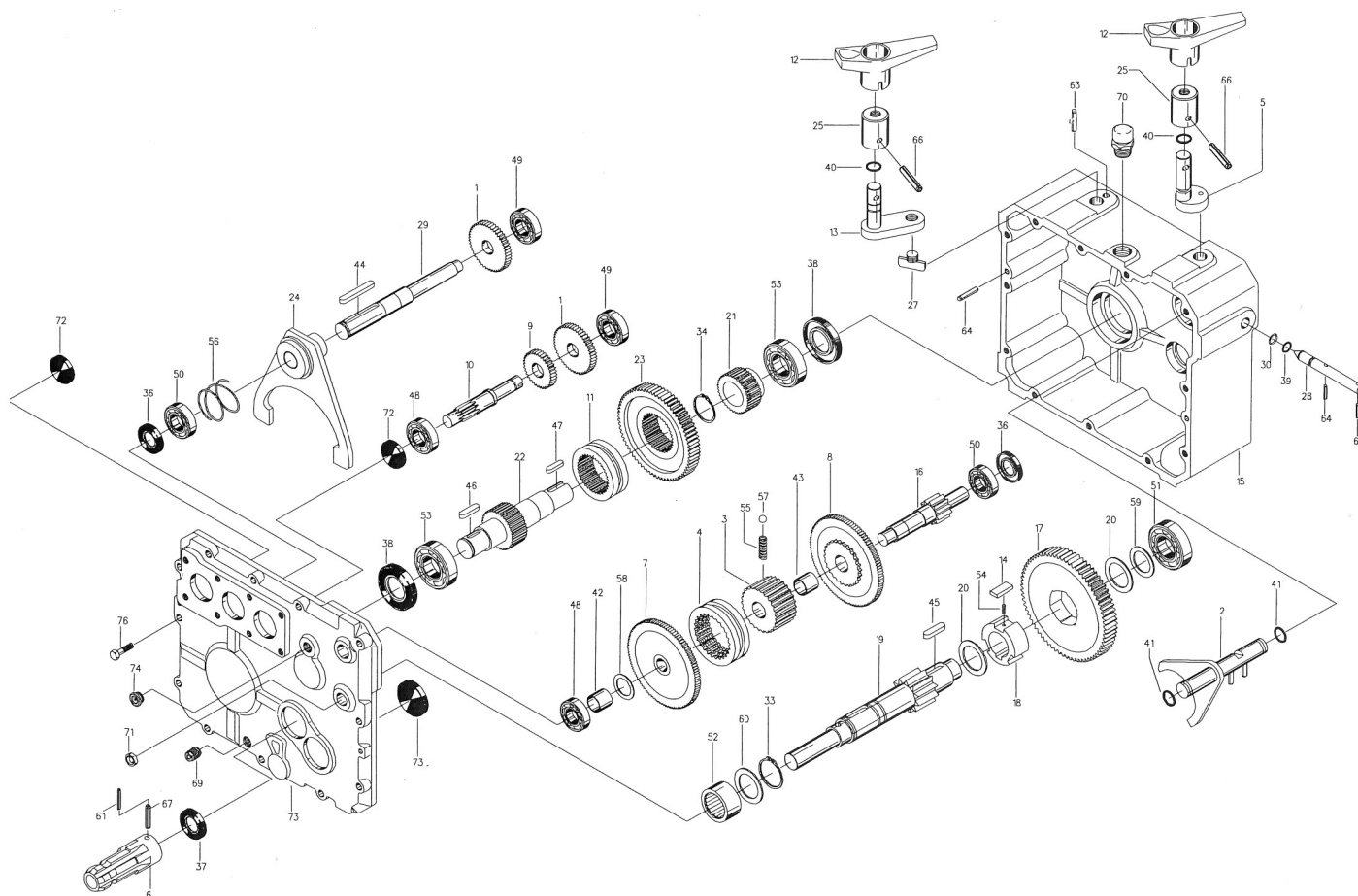


# Engine Drive



Item	Part No.	Description	U/M	Qty
44	02218570	Accelerator Screw	Ea	1
45	02218571	Cable Stop	Ea	2
46	02216750	Switch Mount	Ea	1
47	02216760	Switch	Ea	1
47a	02216761	Sensor Head	Ea	1
48	50404620	Fuel Filter 1/4" Clear with Clamps	Ea	1
49	02203180	Spring Belt Tightener	Ea	1
50	02216630	Belt Tightener	Ea	1
51	02203440	Bearing 6005-2RS	Ea	2
52	02206530	Shaft, Belt Idler	Ea	1
53	02206540	Pulley Idler 3 Groove	Ea	1
54	02206660	Belt AX 35 ST4-5	Ea	1
54a	59904282	Belt AX 38 ST6-7	Ea	1
55	59904260	Belt AX 33 ST4	Ea	1
55a	59904271	Belt AX 31 ST5-6	Ea	1
55b	59904270	Belt AX 32 ST7	Ea	1
56	02218580	Engine Support	Ea	1
57	02218581	Engine Support Clamp	Ea	1
58	02216780	Elbow, Engine ST6-7	Ea	1
58a	02216781	Elbow, Engine ST4	Ea	1
58b	02216782	Elbow, Engine ST5	Ea	1
59	50201902	Gearbox, Bima GI10	Ea	1
60	50801830	Oil Drain Kit for GX120 - GX160 (Not Shown)	Ea	1

# Engine Drive - Bima Gearbox

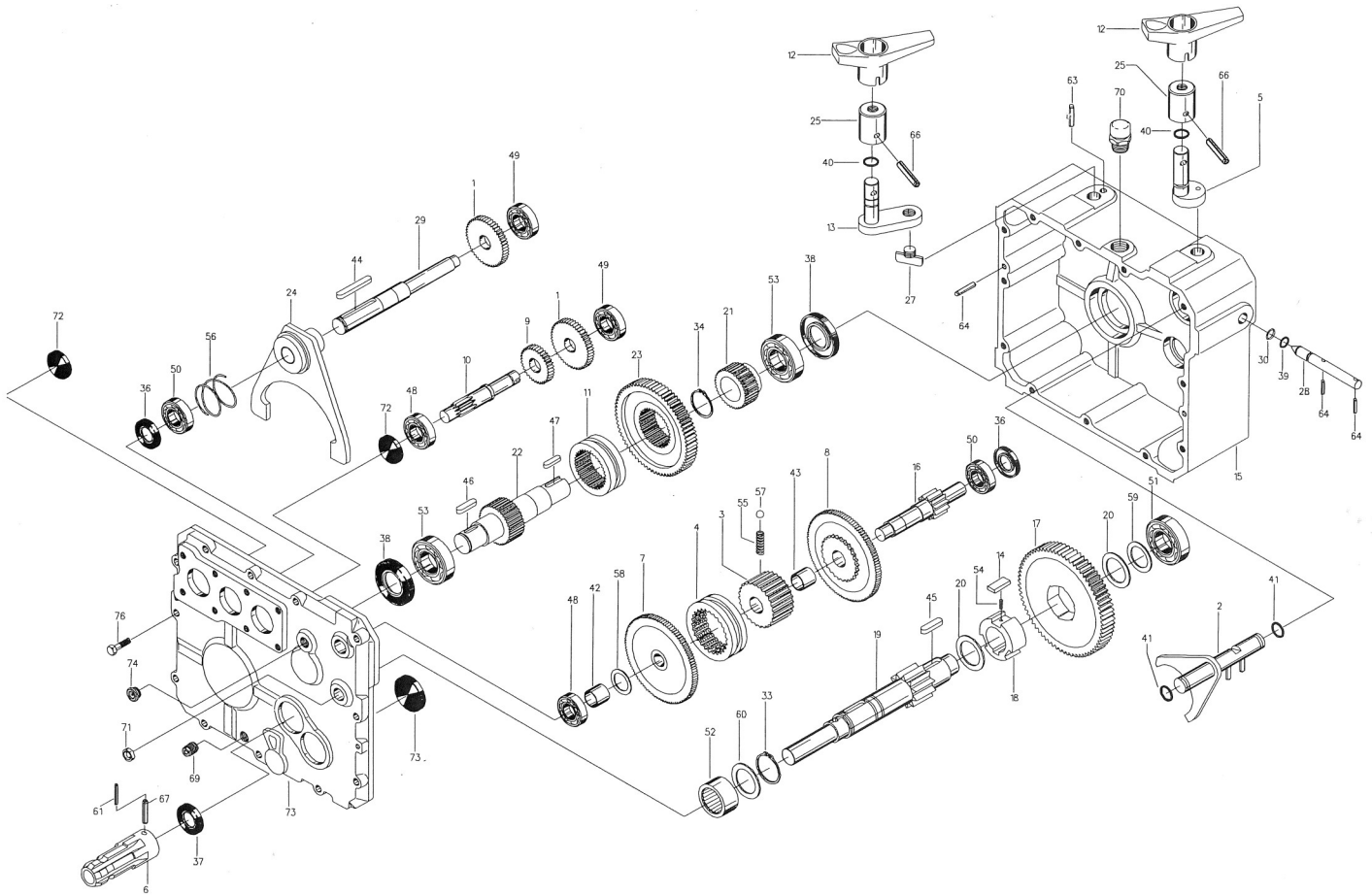


Item	Part No.	Description	U/M	Qty
1	02215550	Gear 2007.038.442	Ea	2
2	02215560	Lever 2008.011.098	Ea	1
3	02215570	Hub 2008.032.042	Ea	1
4	02215580	Hub 2008.039.076	Ea	1
5	02215590	Lever 2008.041.098	Ea	1
6	02215600	Sleeve 2008.055.041	Ea	1
7	02215610	Gear 2008.068.426	Ea	1
8	02215620	Gear 2008.069.426	Ea	1
9	02215630	Gear 2008.070.442	Ea	1
10	02215640	Shaft 2008.073.542	Ea	1
11	02215650	Hub 2018.010.077	Ea	1
12	02215660	Lever 2022.005.032	Ea	2
13	02215670	Lever 2022.006.098	Ea	1
14	02215680	Dog 2047.050.099	Ea	3
15	02215690	Housing 2083.022.101	Ea	1
16	02215700	Shaft 2053.027.542	Ea	1
17	02215710	Gear 2083.028.426	Ea	2
18	02215720	Hub 2083.030.442	Ea	1
19	02215730	Shaft 2083.031.542	Ea	1
20	02215740	Washer 2083.032.061	Ea	2

Item	Part No.	Description	U/M	Qty
21	02215750	Hub 2083.033.042	Ea	1
22	02215760	Shaft 2083.034.542	Ea	1
23	02215770	Gear 2083.035.426	Ea	1
24	02215780	Lever 2083.037.098	Ea	1
25	02215790	Hub 2083.038.041	Ea	2
26	02215800	Cover 2083.040.201	Ea	1
27	02215810	Pad 2083.041.042	Ea	1
28	02215820	Pin 2083.043.041	Ea	1
29	02215830	Shaft 2083.056.541	Ea	1
30	02215840	Snap Ring D14E 8001.139.000	Ea	1
31	02215860	Snap Ring D18E 8025.185.000	Ea	1
32	02201680	Snap Ring D20E 8025.209.000	Ea	1
33	02205341	Snap Ring D30E 8025.302.000	Ea	1
34	02205340	Snap Ring D35E 8025.336.000	Ea	1
35	02215870	Snap Ring D80E 8025.590.000	Ea	1
36	02215880	Oil Seal 20 x 35 x 6	Ea	2
37	50406970	Oil Seal 20 x 40 x 7	Ea	1
38	02215890	Oil Seal 40 x 62 x 7	Ea	2
39	02215900	Oil Seal CR 109	Ea	1
40	02215910	Oil Seal CR 3043	Ea	2

Item numbers 17, 31, 32 and 35 are not shown. Please consult factory for more information.

# Engine Drive - Bima Gearbox

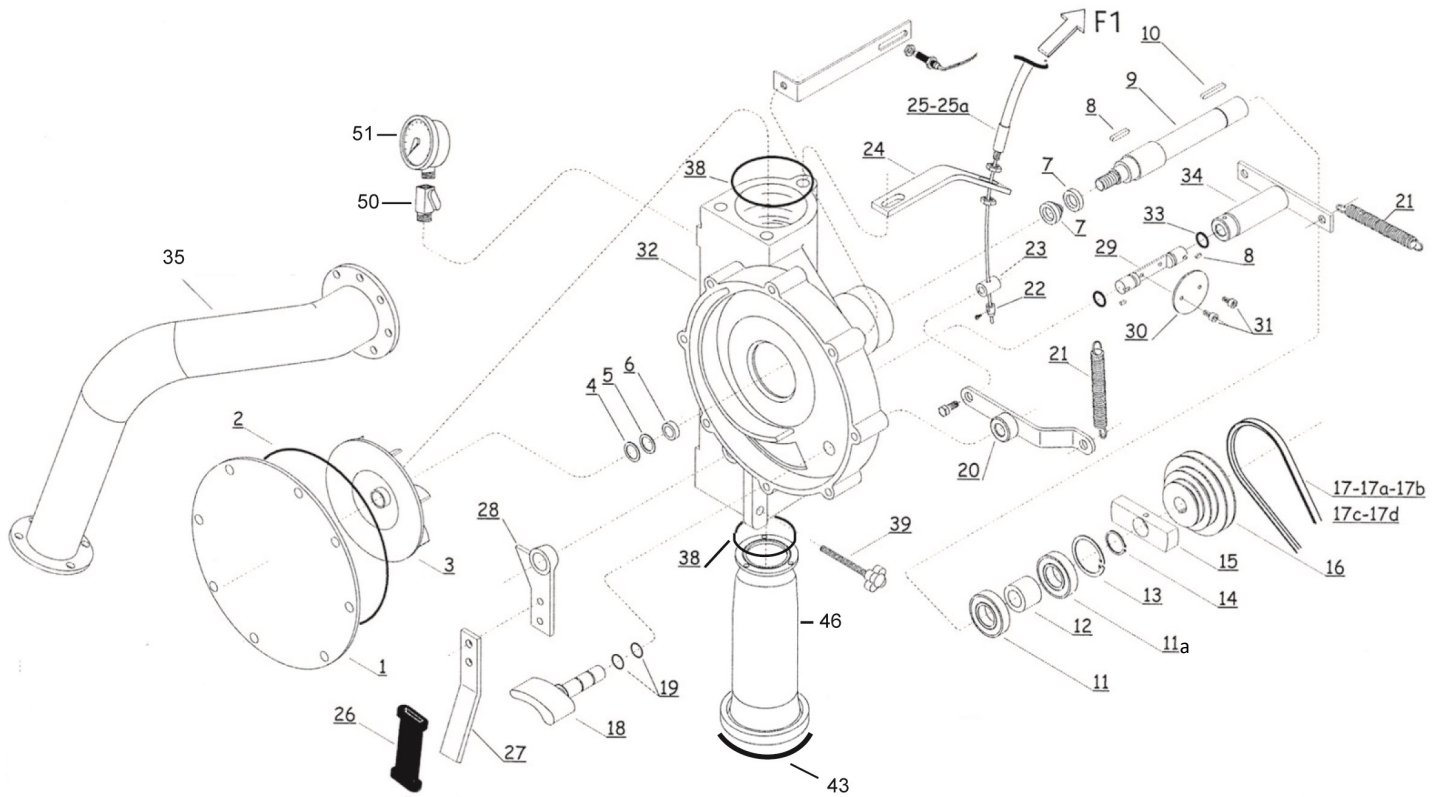


Item	Part No.	Description	U/M	Qty
41	02215920	Oil Seal CR 3050	Ea	2
42	02215930	Sleeve 18 x 20 x 15 8100.222.000	Ea	1
43	02215940	Sleeve 20 x 23 x 15 8200.226.000	Ea	1
44	02215950	Key 6 x 6 x 50 8125.215.000	Ea	1
45	02207880	Key 8 x 7 x 25 8125.241.001	Ea	1
46	02215960	Key 10 x 8 x 35 8125.312.000	Ea	1
47	02215970	Key 10 x 8 x 50 8125.324.000	Ea	1
48	02215980	Bearing 6302	Ea	2
49	02215990	Bearing 6202	Ea	2
50	02219170	Bearing 6004	Ea	2
51	02216010	Bearing 6205	Ea	1
52	02216020	Bearing HK3012	Ea	1
53	02216030	Bearing 6208	Ea	2
54	02216040	Spring 8375.050.000	Ea	3
55	02216050	Spring 8375.080.000	Ea	1
56	02216060	Spring 8375.690.000	Ea	1
57	02216070	Ball 8525.152.000	Ea	1
58	02216080	Sleeve 15.2 x 24.9 x 0.8 8550.233.000	Ea	1

Item	Part No.	Description	U/M	Qty
59	02216090	Sleeve 25 x 35 x 1 8550.326.000	Ea	1
60	02216100	Sleeve 30.2 x 39.8 x 1 8550.366.000	Ea	1
61	02216110	Pin 3.5 x 40 ISO 8752 8575.160.000	Ea	1
62	02216120	Pin 5 x 24 ISO 8752 8575.229.000	Ea	1
63	02216130	Pin 5 x 16 UNI 1707 8575.270.000	Ea	1
64	02216140	Pin 6 x 20 UNI 1707 8575.275.000	Ea	2
65	02216150	Pin 6 x 30 ISO 8752 8575.284.000	Ea	2
66	02216160	Pin 6 x 36 ISO 8752 8575.289.000	Ea	2
67	02216170	Pin 6 x 40 ISO 8752 8575.291.000	Ea	1
68	02216180	Plug D75 8600.120.000	Ea	1
69	02216190	Plug 3/8" Gas 8600.144.000	Ea	1
70	02216200	Plug 1/2" Gas 8600.184.000	Ea	1
71	02216210	Plug RCA 22 x 7 8600.215.000	Ea	1
72	02216220	Plug RCA 35 x 8 8600.390.000	Ea	2
73	02216230	Plug RCA 40 x 7 8600.438.000	Ea	1
74	02216240	Plug 3/8" Gas 8625.136.000	Ea	1
75	02216250	Screw M 5 x 16 UNI 5931 8675.031.050	Ea	2
76	02216260	Screw M 8 x 30 UNI 5739 8675.189.080	Ea	12

Item numbers 55, 65, 68 & 75 are not shown. Please consult factory for more information.

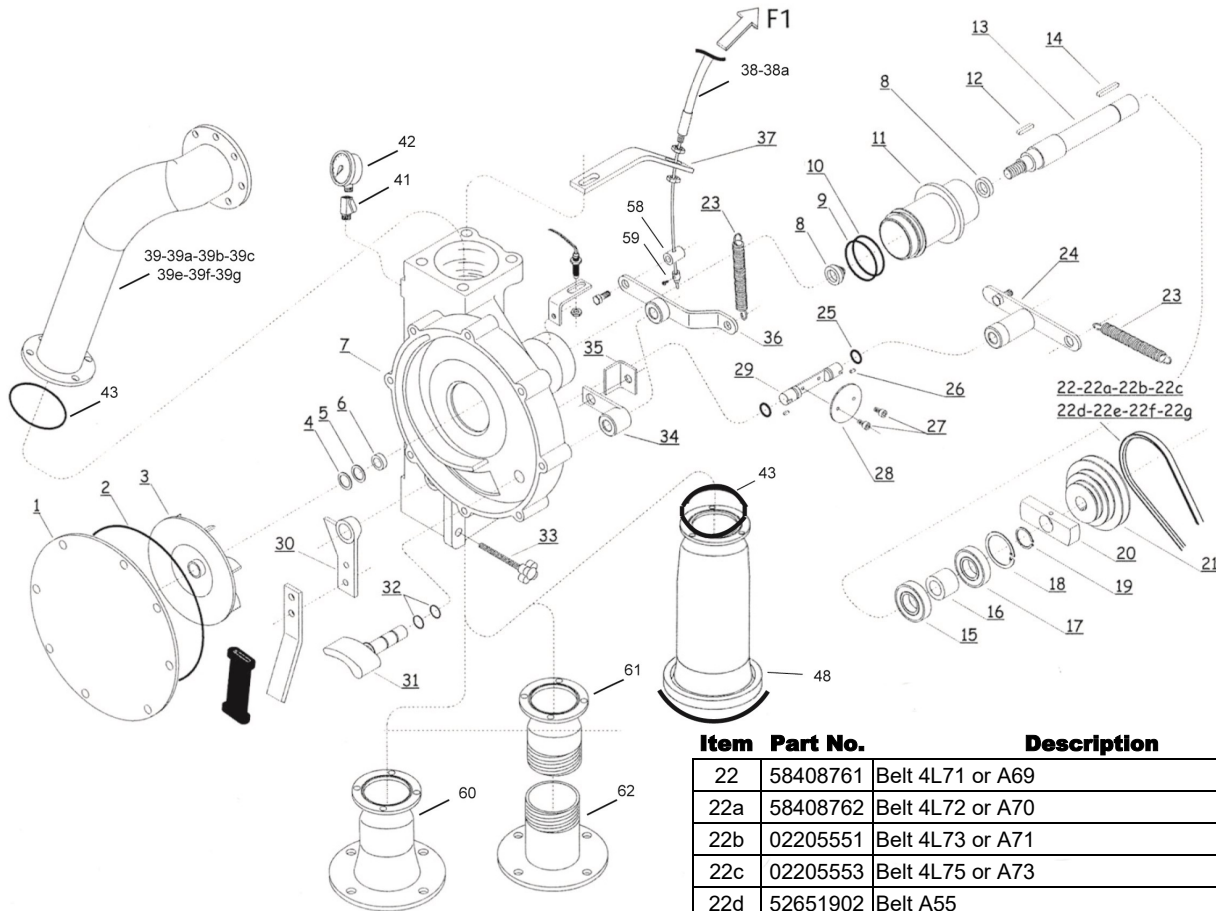
# Turbine 10/50 (ST4)



Item	Part No.	Description	U/M	Qty
1	02203340	Cover 10/50 Turbine	Ea	1
2	02203330	O-Ring Diameter 203 x 3.53	Ea	1
3	02201990	Impeller 5.43 x .51 Vane H	Ea	1
4	02205430	Shim, Myllar 16.2 x 23.8 x .25	Ea	4
5	02203010	Spacer Diameter (25mm x 20mm x 1.5mm)	Ea	1
6	02203000	Spacer 25mm x 16mm x 7mm	Ea	1
7	02205450	Seal 20 x 6	Ea	1
8	02203370	Key 5 x 10	Ea	1
9	02203260	Impeller Shaft	Ea	1
10	02205510	Key 6 x 50	Ea	2
11	02201670	Bearing 6204-2RS	Ea	1
11a	02201671	Bearing, 5204-2RS	Ea	1
12	55370010	Washer, 37x20x3	Ea	1
13	02203240	Stop Ring I47	Ea	1
14	02201680	Retaining Rin E20	Ea	1
15	02218890	Command Plate Sensor Turbine	Ea	1
16	02205920	Pulley (100mm, 75mm, 53mm 3 Step w/ Set Screw)	Ea	1
17	58408761	Belt 4L71 or A69	Ea	1
17a	58408762	Belt 4L72 or A70	Ea	1
17b	02205551	Belt 4L73 or A71	Ea	1
17c	50201760	Belt 4L56 or A54	Ea	1
17d	52651902	Belt A55	Ea	1
18	02203320	Regulator Flap	Ea	1

Item	Part No.	Description	U/M	Qty
19	02203310	O-Rin 8.73mm ID x 1.78mm CS	Ea	2
20	02211430	Control Lever Flap	Ea	1
21	02203180	Spring Belt Tightener	Ea	1
22	02218900	Cable Stop	Ea	1
23	02211450	Cable Attachment	Ea	1
24	02211460	Cable Mount	Ea	1
25	02211830	Cable Flap	Ea	1
26	02204140	Grip Turbine	Ea	1
27	02205570	Lever By-Pass	Ea	1
28	02255810	Lever By-Pass 10/50	Ea	1
29	02203071	Shaft By-Pass w/o Grooves	Ea	1
30	02203400	Disc By-Pass	Ea	1
31	02203050	Screw 6-1mm x 16mm	Ea	2
32	02203020	Body Turbine 10/50	Ea	1
33	02203060	O-Ring Diameter 10.77 x 2.62	Ea	2
34	02211480	By-Pass Lever	Ea	1
35	02211151	Elbow Upper (Bima Box)	Ea	1
38	02203030	O-Ring Diameter 71.54 x 3.53	Ea	2
39	02203910	Hand Wheel	Ea	1
43	58800223	Seal Ring 3" 4.5 x 3.5 x 1/2	Ea	1
46	02203080	Entry Fitting	Ea	1
50	02218940	Gauge Cock	Ea	1
51	58606750	Gauge Press 0-300	Ea	1

# Turbine 25/130 (ST5-6-7)



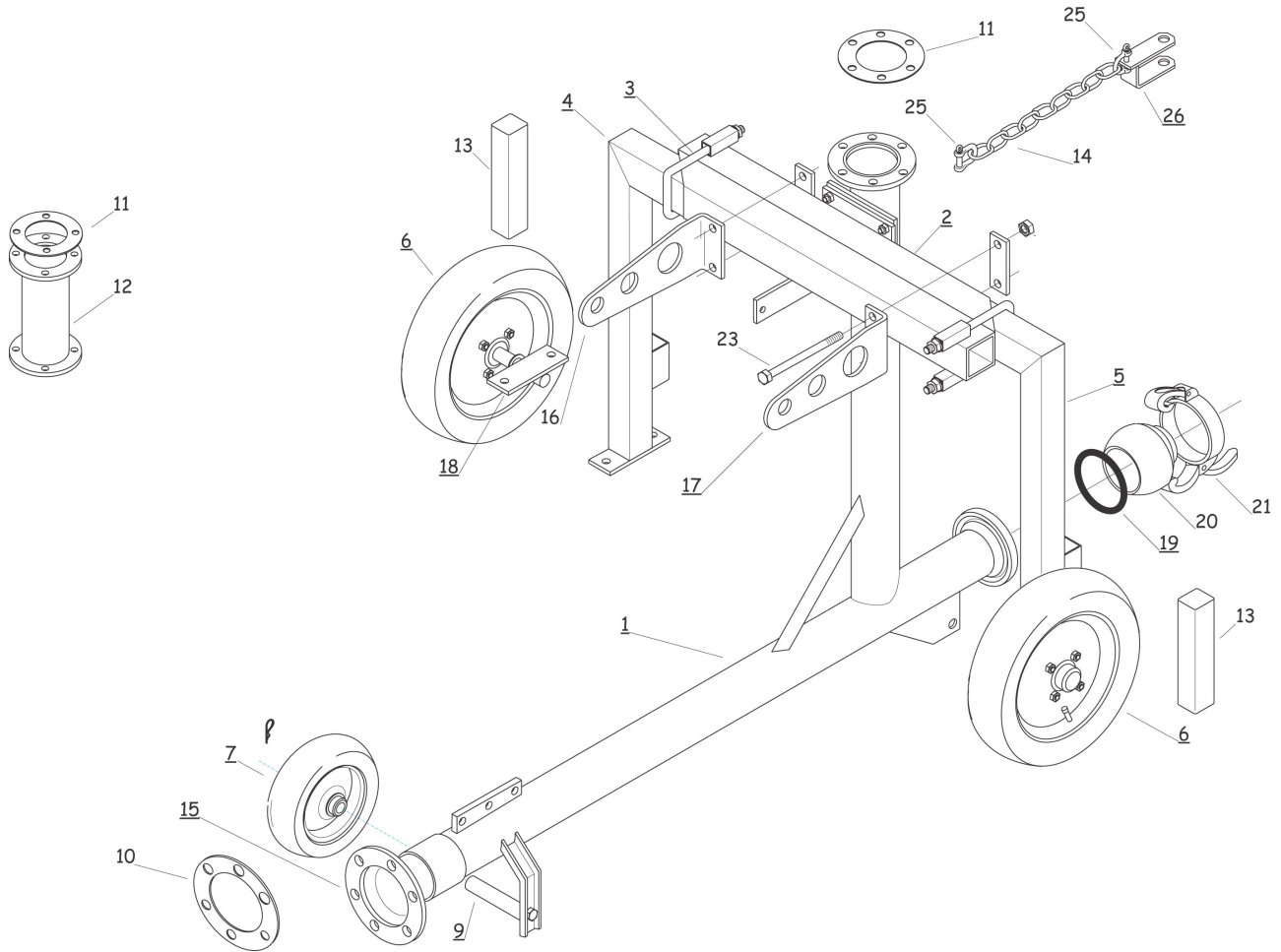
Item	Part No.	Description	U/M	Qty
1	02208340	Cover, Impeller	Ea	1
2	02205720	O-Ring 278.99mm ID x 3.53 C/S	Ea	1
3	02201993	Impeller 6.77 OD x .87 Vane	Ea	1
3	02201994	Impeller 6.77 OD x .51 Vane	Ea	1
3	02201995	Impeller 6.77 OD x .24 Vane	Ea	1
4	02205430	Shim, Mylar 16.2 x 23.8 x .25	Ea	6
5	02203002	Spacer 25mm x 16mm x 15.5mm Long	Ea	1
5	02203000	Spacer 25mm x 16mm x 7mm	Ea	1
6	02205440	Spacer 25mm x 20mm x 5mm	Ea	1
7	02203021	Body, Turbine 25/120	Ea	1
8	02205450	Seal 20 x 6	Ea	1
8a	99070300	Kit-Runner Overhaul- See Note Below*	Ea	
9	02205461	O-Ring 2.36 ID x .103 C/S	Ea	1
10	02206280	O-Ring 2.487" ID x .103 C/S	Ea	1
11	02205480	Turbine Hub T 200 25/120	Ea	1
12	02203370	Key 5 x 10	Ea	1
13	02205500	Shaft, Impeller 25/120	Ea	1
14	02205510	Key 6 x 50	Ea	1
15	02201670	Bearing 6204-2RS	Ea	1
16	02211820	Spacer Diameter 25 x 20 x 45.4	Ea	1
17	02201671	Bearing 5204-2RS	Ea	1
18	02203240	Stop Ring I47	Ea	1
19	02201680	Retaining Ring E20	Ea	1
20	02218890	Command Plate Sensor Turbine	Ea	1
21	02205920	Pilly 1(00mm, 75mm, 53mm 3 Step-Setscrew)	Ea	1

Item	Part No.	Description	U/M	Qty
22	58408761	Belt 4L71 or A69	Ea	1
22a	58408762	Belt 4L72 or A70	Ea	1
22b	02205551	Belt 4L73 or A71	Ea	1
22c	02205553	Belt 4L75 or A73	Ea	1
22d	52651902	Belt A55	Ea	1
22e	58401160	Belt 4L58 or A56	Ea	1
22f	58401161	Belt 4L59 or A57	Ea	1
22g	50201761	Belt 4L62 or A60	Ea	1
23	02203180	Spring Belt Tightener	Ea	1
24	02213770	Lever By-pass	Ea	1
25	02205590	O-Ring 15.54mm ID x 2.6mm	Ea	1
26	02216430	Key 6	Ea	1
27	02203050	Screw 6-1mm x 16mm	Ea	1
28	02205620	Disc, By-pass	Ea	1
29	02205631	Shaft By-pass with Grooves	Ea	1
30	02205580	Lever, By-pass - 25/120	Ea	1
31	02205660	Regulator Flap with Pin	Ea	1
32	02203310	O-Ring 8.73mm ID x 1.78mm CS	Ea	1
33	02203910	Hand Wheel	Ea	1
34	02206500	Loop, Compensator - 10/50, 25/120	Ea	1
35	02217940	Flap Stop	Ea	1
36	02211430	Control Lever Flap	Ea	1
37	02211460	Cable Mount	Ea	1
38	02211471	Cable, Comp Control (105") - ST4-5	Ea	1
38a	02211100	Cable, Comp Control (120") - ST6-7	Ea	1
39e	02211841	Elbow, Upper 8" Flange to Weld (Bima) - ST5	Ea	1
39g	02212101	Elbow, Upper w/ Bima ST6-7	Ea	1
41	02217950	Gauge Cock	Ea	1
42	58606750	Gauge Press 0-300	Ea	1
43	02204840	O-Ring 104mm x 3.53mm	Ea	1
48	58800233	Seal Ring 4" 6-3/8 OD x 9/16	Ea	1
51a	02204830	Fitting Entry 25/120 Turbine 4" Bauer	Ea	1
54	02205570	Lever By-pass	Ea	1
55	02204140	Grip, Turbine	Ea	1
58	02211450	Cable Attachment	Ea	1
59	02218900	Cable Stop	Ea	1

\*Runner Overhaul Kit—We highly recommend the entire kit be purchased in lie of the individual seal. This kit includes item nos. 9, 10, 11, 12, 13, 15, 16, 17, 18 & 19.

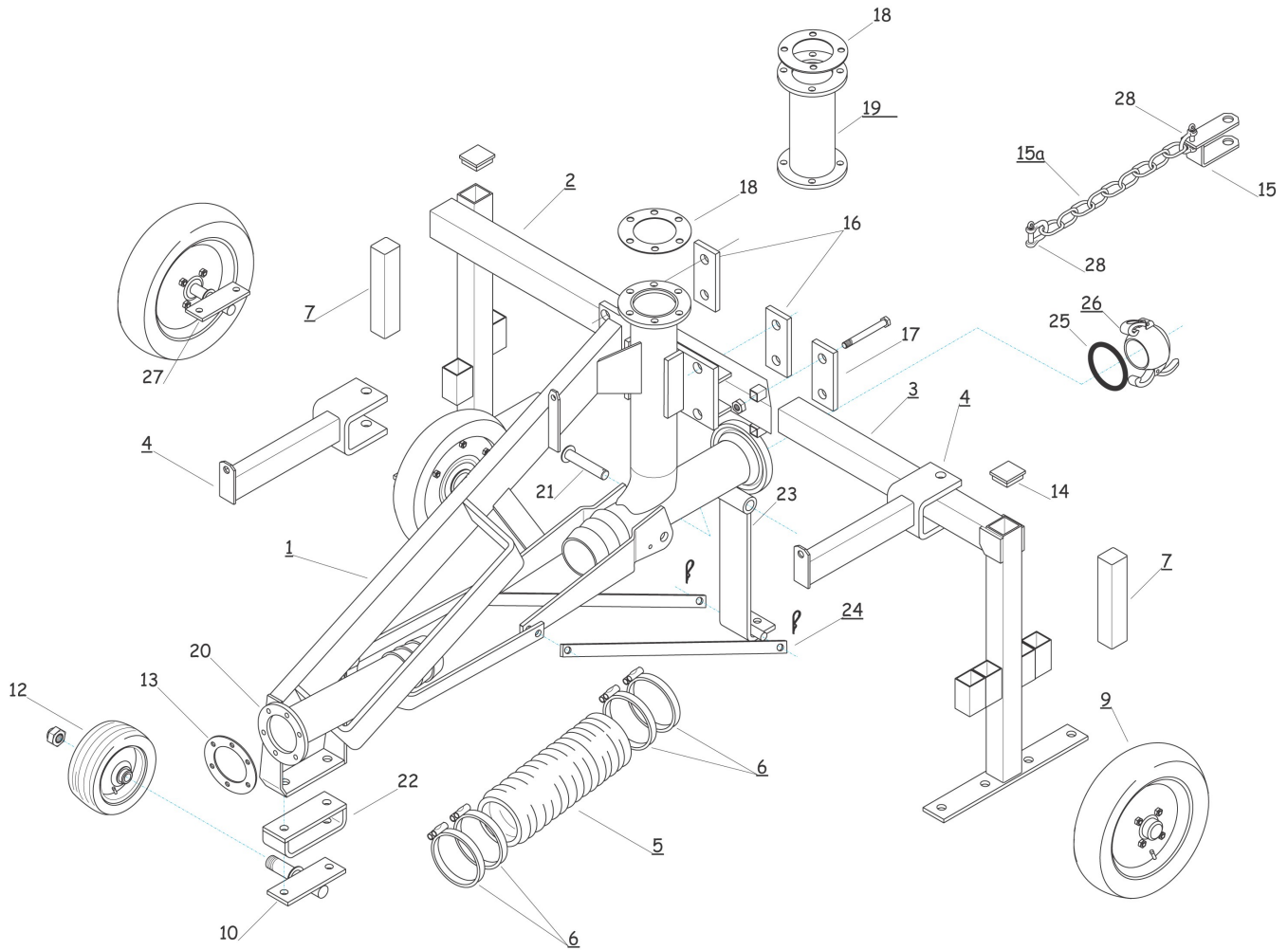


# Guncart—Manual/Hydraulic—ST4



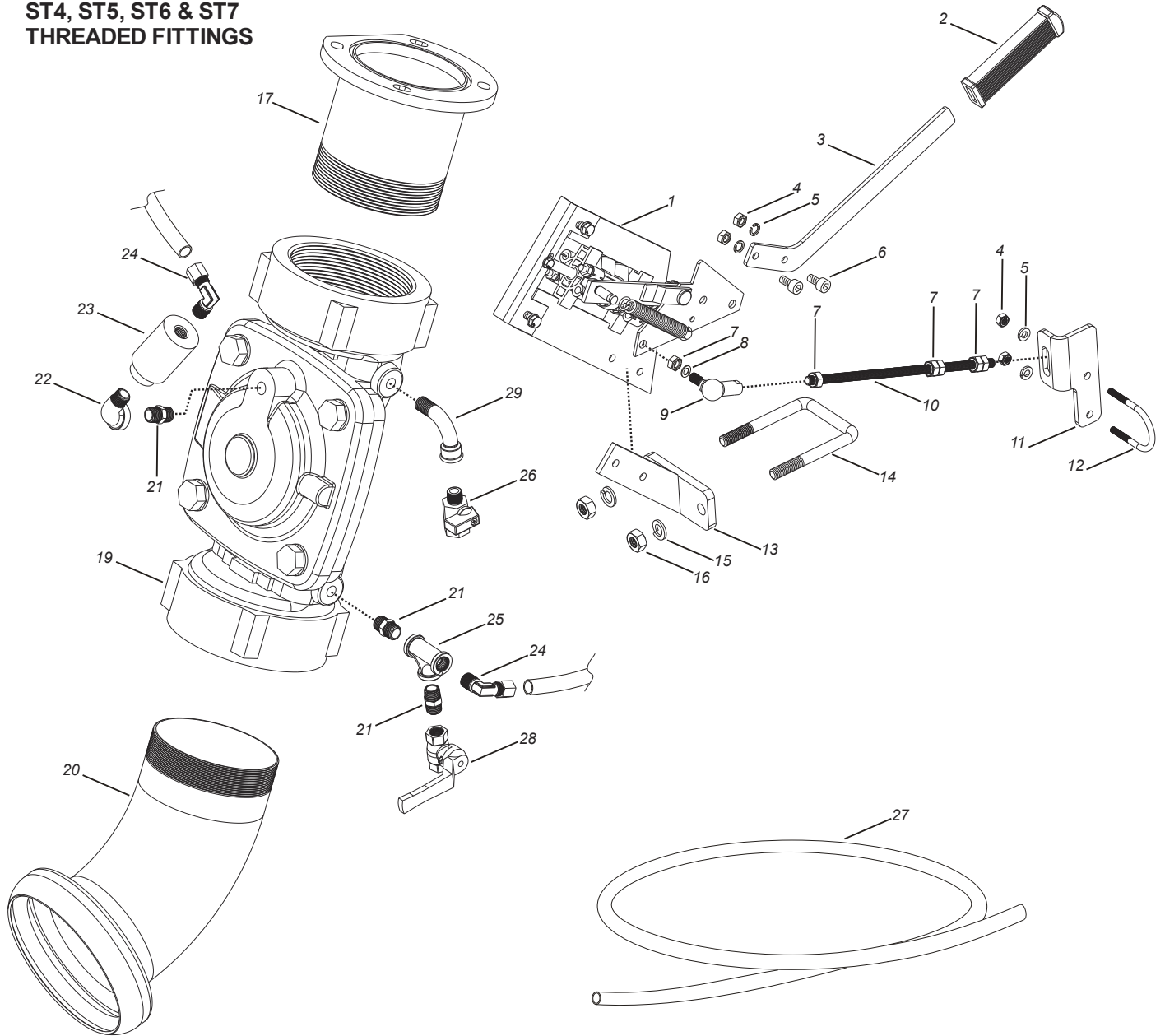
Item	Part No.	Description	U/M	Qty
1	02216531	Guncart Body w/ Ball Plug Fitting	Ea	1
2	02216541	Leg Support	Ea	1
3	02216500	U-Bolt M16	Ea	2
4	02216511	Left Leg	Ea	1
5	02216521	Right Leg	Ea	1
6	02210380	Wheel/Tire Assm R14-165	Ea	2
7	02216551	Wheel 310 x 90	Ea	1
9	02216550	Axle, Front Guncart	Ea	1
10	02099202	Gasket 5.75" BCD 4.3 ID	Ea	1
11	02000185	Gasket Riser 5.12 BCD 3 1/2" ID	Ea	1
12	58406430	Riser Extension 3 1/2" x 12 (SR200)	Ea	1
13	02207150	Weight, Cart Ballast (2" or 60mm)	Ea	2
14	85040600	Chain 3/8 Proof Coil Plated	Ft	3
15	02219030	Flanged Fitting ST3 Cart	Ea	1
16	02220770	Clutch Pin R53/27	Ea	1
17	02220780	Lift Bail, Right ST3 Cart	Ea	1
18	02219840	Spindle Assm Complete for Flex Body	Ea	2
19	58800233	Seal Ring 4" 6 3/8" OD x 9/16"	Ea	1
20	59703120	Plug w/ Lever, Ball 4"	Ea	1
25	52353941	Shackle	Ea	2
26	52354210	Hitch	Ea	1

# Guncart—Manual/Hydraulic—ST5-6-7



Item	Part No.	Description	U/M	Qty
1	02218670	Flex Cart Main Frame CS ST5-6-7	Ea	1
2	02209860	Leg-Right Offset Outer 34" High	Ea	1
3	02209870	Leg-Left Inline Inner 34" High	Ea	1
4	02209880	Arm - Guncart Lift Bail ST6-7	Ea	2
5	02099125	Hose 100 x 118mm	Mt	0.8
6	03019240	Supra Clamp 104mm - 112mm	Ea	4
7	02207150	Weight Cart Ballast (2" or 60mm)	Ea	4-8
9	02210380	Wheel/Tire Assm R14-165	Ea	2-4
10	02212210	Axle Guncart Front ST6-7	Ea	1
12	02209930	Front Wheel 15.6.00/6" 4.5/6"U25	Ea	1
13	02099202	Gasket 5.75" BCD 4.3 ID	Ea	1
14	02209950	Cap Plug 70mm x 70mm	Ea	2
15a	85040600	Chain 3/8 Proof Coil Plated	Ft	3
16	02209970	Plate, Clamp Large	Ea	2
17	02209971	Plate Clamp Small	Ea	1
18	02000185	Gasket Riser 5.12 BCD 3 1/2" ID	Ea	1
19	58406430	Riser Extension 3 1/2" x 12 (SR200)	Ea	1
20	02218680	Main Frame Cart Body	Ea	1
21	02218640	Draw Bar Pin 25mm x 170mm Long	Ea	1
22	02214790	Spacer, Cart Front Axle	Ea	1
23	50201140	Drawbar Extension	Ea	1
24	50201100	Arm Guncart Pull	Ea	2
25	58800233	Seal Ring 4" 6 3/8 OD x 9/16	Ea	1
26	59703120	Plug with Leverball 4"	Ea	1
27	02219840	Spindle Assm Complete for Flex Body	Ea	2
28	02218120	Clevis	Ea	2

**HIGH PRESSURE SHUT DOWN PARTS  
ST4, ST5, ST6 & ST7  
THREADED FITTINGS**



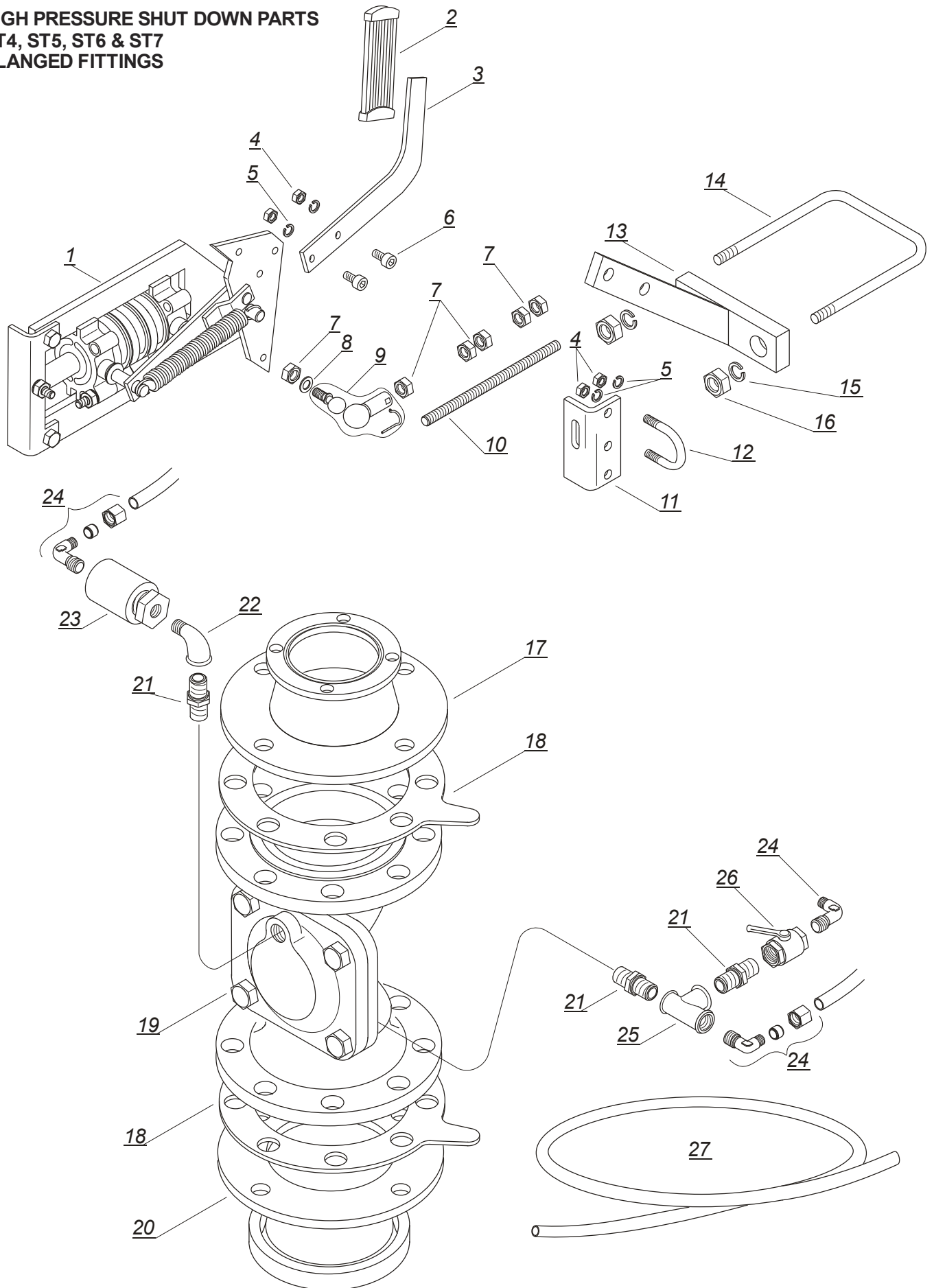


# HIGH PRESSURE SHUT DOWN PARTS ST4, ST5, ST6 & ST7 THREADED FITTINGS

Item	Part Number	Part Description	Qty.
1	02211390	DISTRIBUTOR FOR SHUT OFF VALVE	1
2	02204140	HAND GRIP MOD. 1040-20X6	1
3	02211420	DISTRIBUTOR LEVER	1
4		NUT, 6MM	4
5		LOCK WASHER, 6MM	4
6		BOLT, 6MM	2
7		NUT, 8MM	6
8		WASHER, FLAT 8MM	1
9	02203410	ROD END	1
10	52000250	THREADED ROD, M8 x 8-1/2"	1
11	02218380	DISTRIBUTOR GUIDE PLATE	1
12	02219650	U-BOLT M6	1
13	02211410	DISTRIBUTOR MT.	1
14	02214100	U-BOLT, M10	1
15		LOCK WASHER, 10MM	2
16		NUT, 10MM	2
17	02218972	FTTG, HIGH PRESSURE SHUT DOWN 3" <u>(ST3 &amp; ST4)</u>	1
17A	02223260	FTTG, HIGH PRESSURE SHUT DOWN 4" <u>(ST5, ST6 &amp; ST7)</u>	1
19	02220710	BLUE VALVE FOR ST3,4 WATER SHUT OFF 3" <u>(ST3 &amp; ST4)</u>	1
19A	02221300	VALVE,HIGH PRESSURE SHUT OFF 4" THR <u>(ST5, ST6 &amp; ST7)</u>	1
20	02222810	NIPPLE /THREAD END, W/BAUER 3" ST2 <u>(ST3 &amp; ST4)</u>	1
20A	02221670	NIPPLE THREADED FOR VAS 4" BAUER <u>(ST5, ST6 &amp; ST7)</u>	
21	02223210	NPPL, 1/4 BSPT	1
22	02223220	ELBW,STRT GLV 1/4BSPT X 90 DEG	1
23	02219700	FILTER ASSEMBLY POS. 23	1
24	51200510	FTG,TB EL 1/4BSPTX8MM TUBE	2
25	02223230	TEE, 1/4 BSPT	1
26	02218940	GAUGE COCK	1
27	25249392	TUBE,SYNFLEX 5/16 OD	20 ft
28	02223240	VALVE, BALL 1/4 BSPT	1
29	02223250	ELBW, STRT 1/4 BSPT, LONG RADIUS	1

*Common hardware components can be acquired locally*

**HIGH PRESSURE SHUT DOWN PARTS  
ST4, ST5, ST6 & ST7  
FLANGED FITTINGS**



# HIGH PRESSURE SHUT DOWN PARTS ST4, ST5, ST6 & ST7 FLANGED FITTINGS

Item	Part Number	Part Description	Qty.
1	02211390	DISTRIBUTOR FOR SHUT OFF VALVE	1
2	02204140	HAND GRIP MOD. 1040-20X6	1
3	02211420	DISTRIBUTOR LEVER	1
4		NUT, 6MM	4
5		LOCK WASHER, 6MM	4
6		BOLT, 6MM	2
7		NUT, 8MM	6
8		WASHER, FLAT 8MM	1
9	02203410	ROD END	1
10	52000250	THREADED ROD, M8 x 8-1/2"	1
11	02218380	DISTRIBUTOR GUIDE PLATE	1
12	02219650	U-BOLT M6	1
13	02211410	DISTRIBUTOR MT.	1
14	02214100	U-BOLT, M10	1
15		LOCK WASHER, 10MM	2
16		NUT, 10MM	2
17	02217960	LOWER FEEDING ELBOW FOR VALVE <u>(ST5, ST6 &amp; ST7)</u>	1
18	02221311	FLANGE GASKET DN80	2
19	02221310	VALVE, HIGH PRESS SHUT OFF FLANGED <u>(ST5, ST6 &amp; ST7)</u>	1
20	02217980	NIPPLES WITH FLANGE AND BAUER 4" <u>(ST5, ST6 &amp; ST7)</u>	1
21	02223210	NPPL, 1/4 BSPT	1
22	02223220	ELBW, STRT GLV 1/4BSPT X 90 DEG	1
23	02219700	FILTER ASSEMBLY POS. 23	1
24	51200510	FTG, TB EL 1/4BSPTX8MM TUBE	2
25	02223230	TEE, 1/4 BSPT	1
26	02218940	GAUGE COCK	1
27	25249392	TUBE, SYN FLEX 5/16 OD	20 ft
28	02223240	VALVE, BALL 1/4 BSPT	1
29	02223250	ELBW, STRT 1/4 BSPT, LONG RADIUS	1

*Common hardware components can be acquired locally*

# Notes

# Notes