



**Turbine Drive Water-Reels®
Engine Drive Slurry-Reels**

T40A/2
E40A/2
(FG1)

Parts Manual

Serial No. 320,000 - 329,999

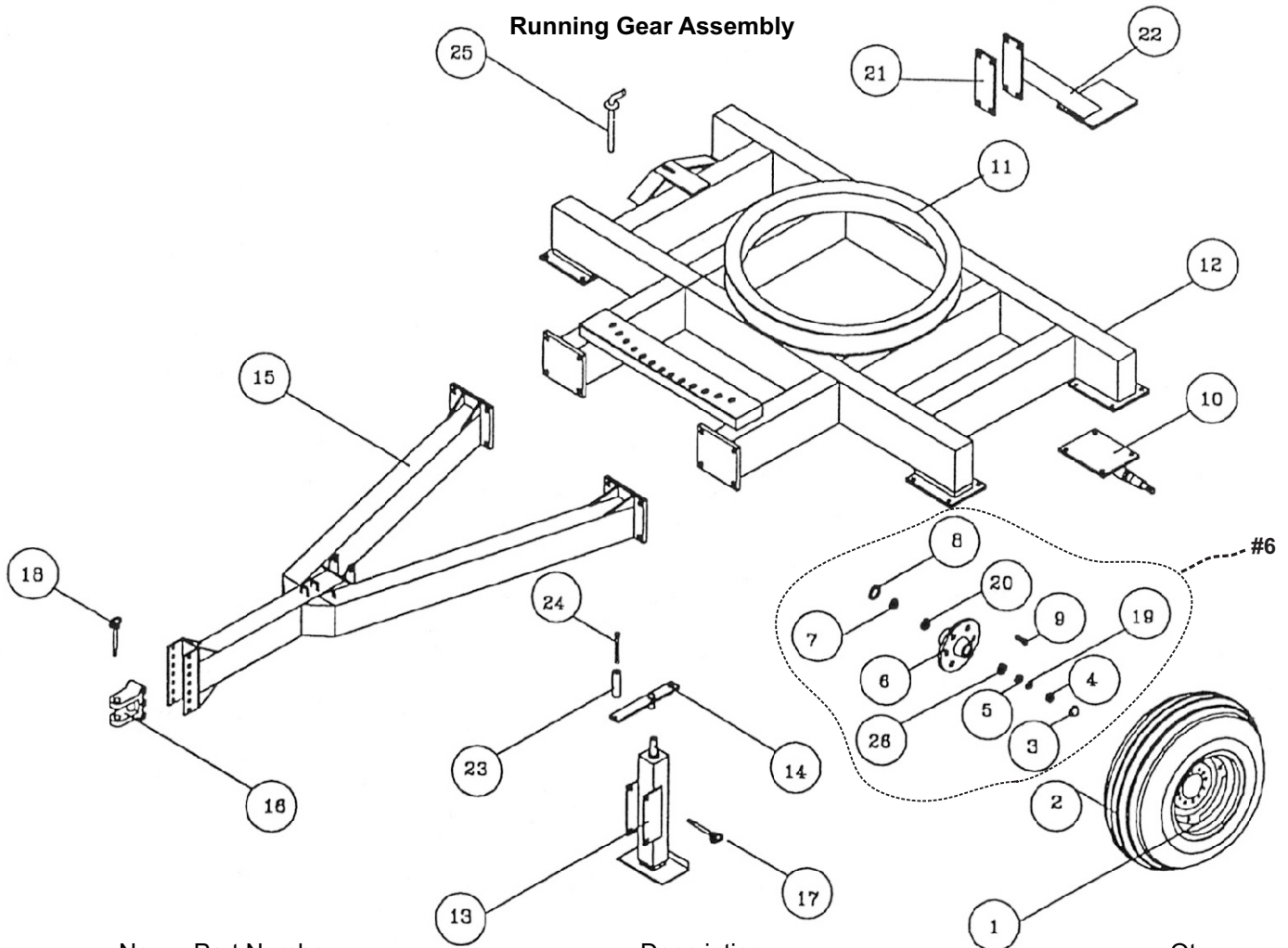


700 S. Schrader Ave.
Havana, Illinois 62644
Phone: 309-543-4425
Fax: 309-543-4945

For Parts that are described as "Left" or "Right" the water inlet side of the machine is considered the right side

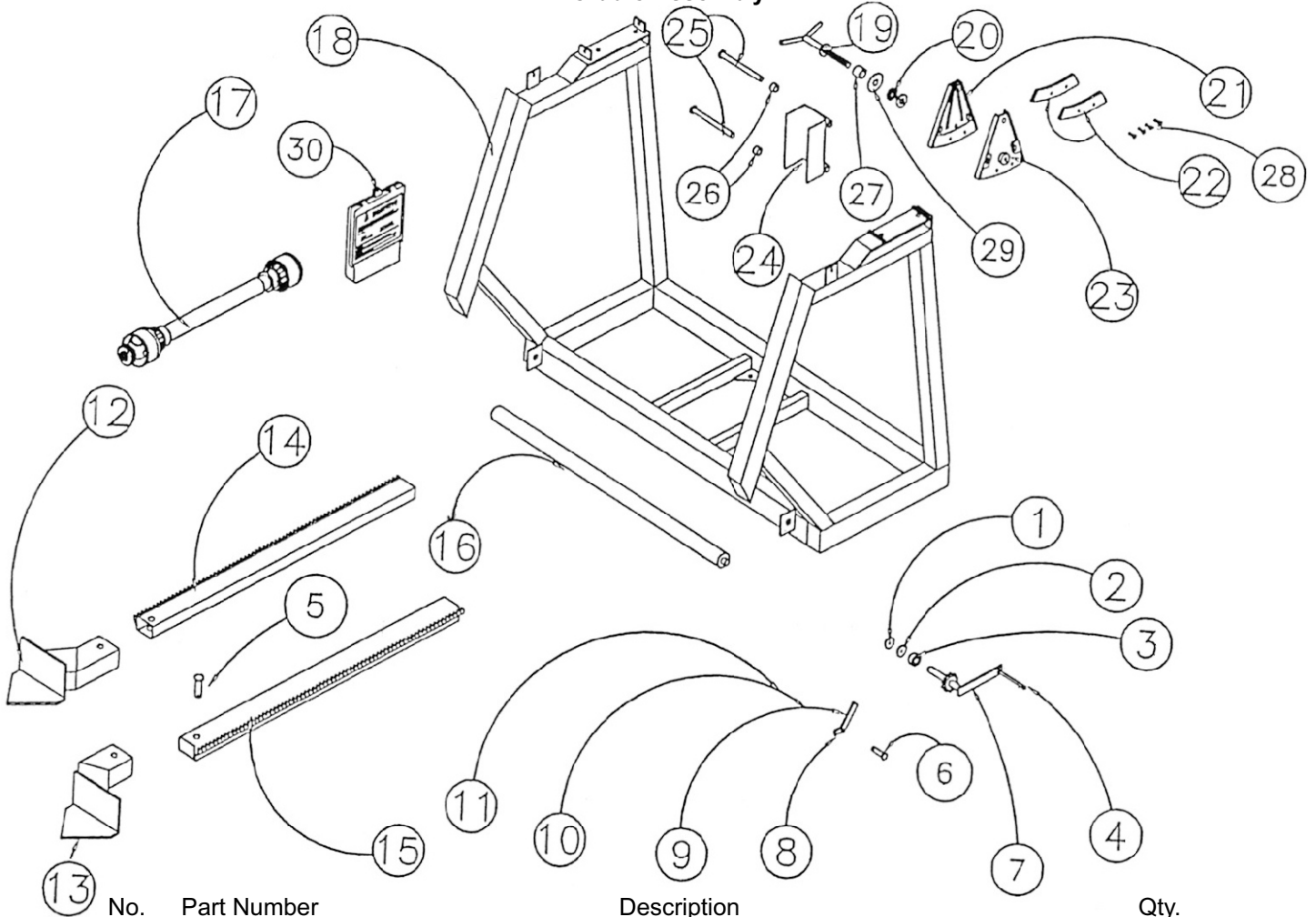
Items Such as common fasteners, grease fitting, and other small parts easy to acquire locally are not listed.

Running Gear Assembly



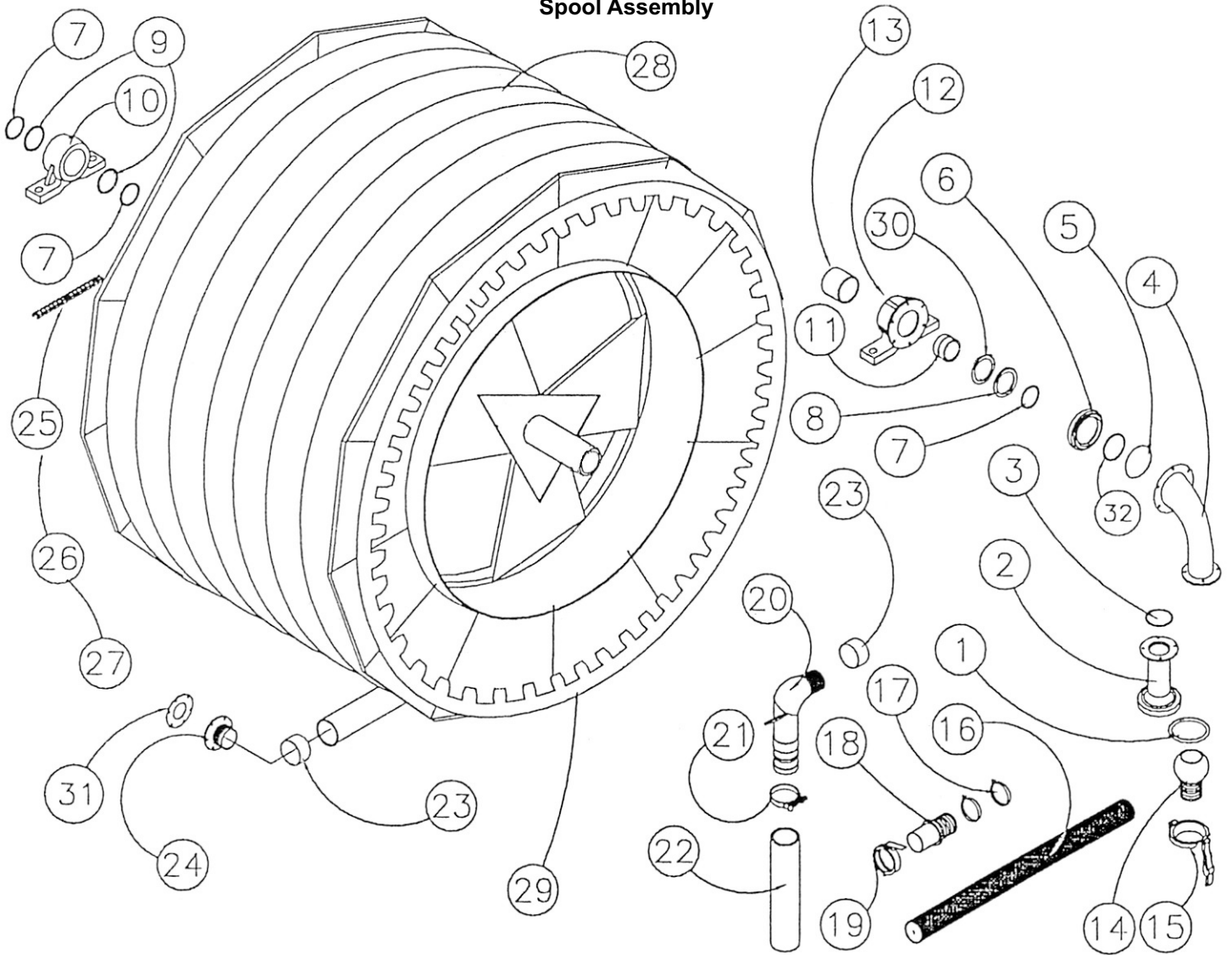
No.	Part Number	Description	Qty.
1a	22750131	WHEEL, 15X8LB 6BOLT 6"BCD	4
1b	52651381	WHEEL, 15X10 6BOLT 6"BCD	4
2a	52655310	TIRE 11L-15 12 PLY	4
2b	52651370	TIRE, 12.5L-15 12 PLY	4
3	58902060	HUB CAP 615-21600#909903	4
4	58902070	NUT, SLOTTED 7/8 WIL912952	4
5	58902040	BEARING, TIMKEN LM25877	4
6	22615982	HUB ASSY, 6BOLT W803	4
7	58902030	BEARING, TIMKEN LM25590	4
8	58902050	SEAL, CR20148	4
9	58902020	LUG BOLT 9/16 X 1.12	24
10	58803971	AXLE, T-37-40	4
11	02001777	BEARING, TURNTABLE	1
12	59301390	CHASSIS, 40A	1
13	58403300	JACK, TONGUE 41, 45, T27-T40	1
14	59403300	CRANK HANDLE	1
15	59301400	TONGUE, 40A	1
16	58402130	HITCH, CLEVIS DICO 18078	1
17	55832811	PIN, HITCH 3/4X4-1/8 ZN	1
18	52358660	PIN, HITCH 3/4 X 6-1/2	1
19	58902080	WASHER, SPINDLE WILTON # 912952	4
20	58902000	RACE, INNER LM25520	4
21	59301440	PLATE	2
22	59301480	OUT-RIGGER	2
23	59403240	HANDLE	1
24	56231361	SCREW, CAP ALLEN 1/2X5	1
25	59504830	PIN, 3/4 X 5.75	1
26	58902010	RACE, OUTER 25821	4
	58403328	KIT, SCREW W/NUT (repair for tongue jack)	1

Cradle Assembly



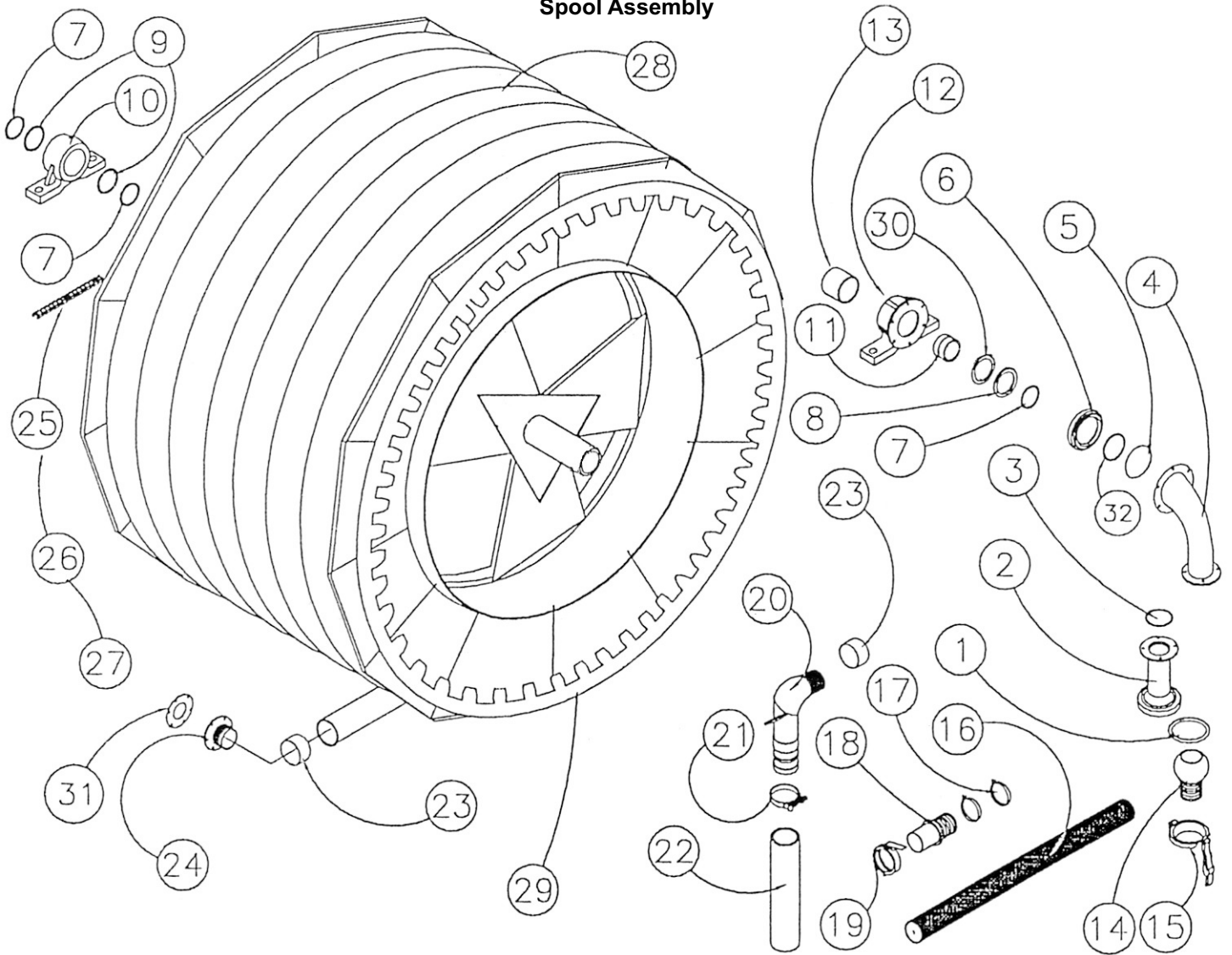
No.	Part Number	Description	Qty.
1	55170011	NUT,10-1.5MM NYLOC	2
2	02099058	NUT	2
3	02099059	SPRING, RUBBER STABILIZER	2
4	02099048	HANDLE	2
5	02099053	PIN	2
6	02099030	PIN	2
7	02099057	HANDLE,CRANK	1
8	02099027	PAWL,RIGHT	1
9	02199027	PAWL,LEFT	1
10	02099028	SPRING,RIGHT	1
11	02099029	SPRING,LEFT	1
12	02099054	STABILIZER FOOT,LEFT - FG1	1
13	02099055	STABILIZER FOOT,RIGHT - FG1	1
14	02099051	TUBULAR ROD LEFT	1
15	02099050	TUBULAR ROD RT	1
16a	02002794	ROLLER,HORIZONTAL BASE G	1
16b	02203440	BEARING,6005-2RS	1
17	30036044	SHAFT,PTO60"OAL#1 BUSH	1
18		Cradle, 40 Gear Drive	
19	02201590	SCREW,BRAKE CONTROL	1
20	0220156	WASHER,BRAKE SPRING	2
21	02201581	PLATE,BRAKE	1
22	02204540	BRAKE PAD	2
23	02201571	PLATE,THREADED BRAKE	1
24	02204482	BRAKE MT. (FG1)	1
25	02204532	PIN,20MM X 216MM	2
26	59700890	BUSH,.75 LONG	2
27	59700891	BUSH,1-0 LONG	1
28	55070100	BOLT,8-1.25MM X 20 BR	4
29	55324130	WASHER,FLAT SAE 3/4"	1
30	59701191	HOUSING, OPERATOR MAN.- 370100&DOWN	1

Spool Assembly



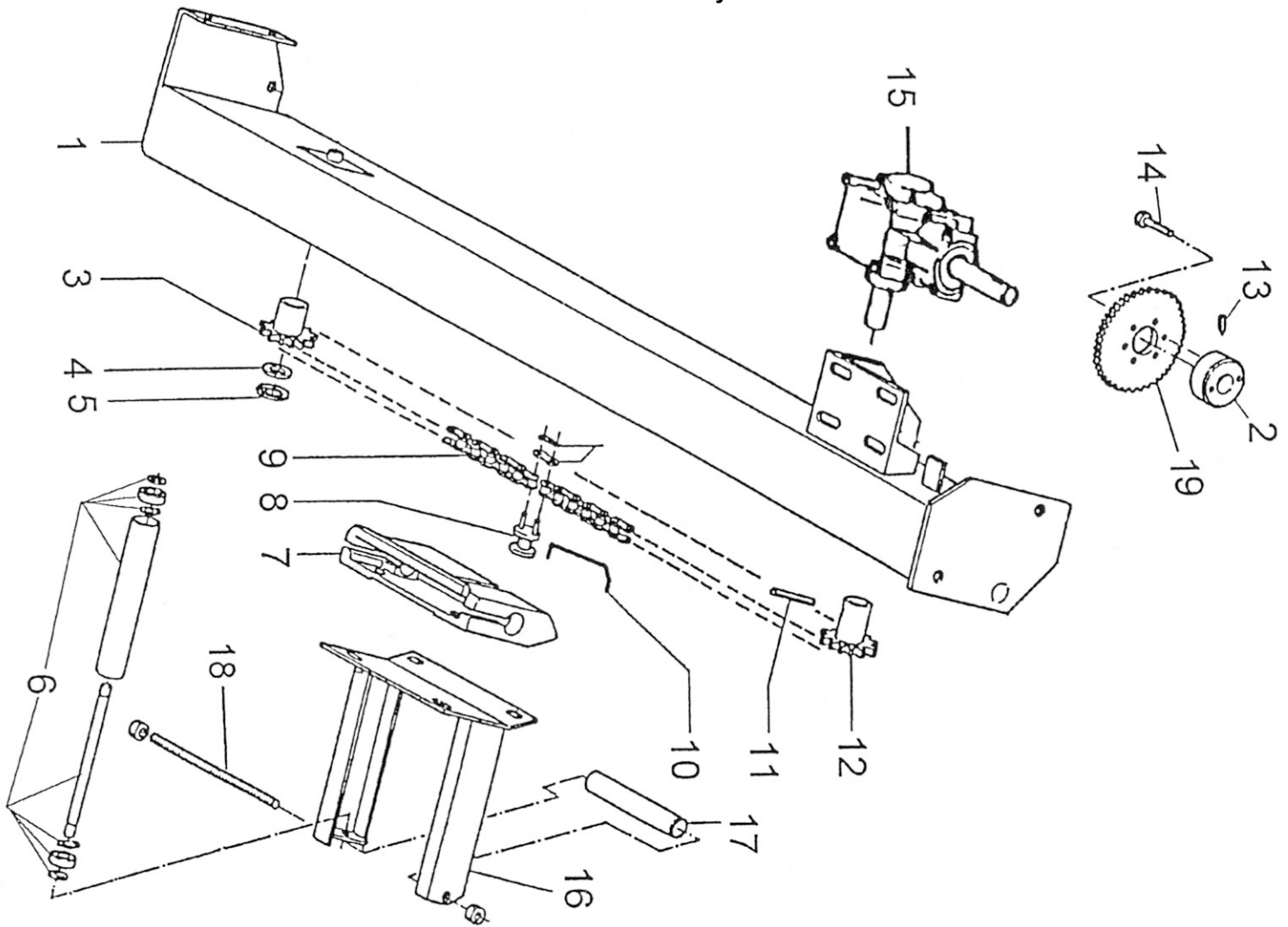
No.	Part Number	Description	Qty.
1	58800233	SEAL RING 4" 6-3/8 OD X 9/16	1
2	02204830	FITTING, ENTRY - 25/120 TURBINE	1
3	02204840	O-RING 104MM X 3.53MM	2
4	02206550	ELBW,40 UPPER	1
5	46548503	O-RING 6-3/4X6-1/2X1/8	1
6	02208502	SEAL KIT,UNIVERSAL FIT-FG1 27K+	1
7	02200440	RING,RET. WITH SCREWS	1
8	02200450	WASHER,SLIP JOINT	3
9	02003832	SPACER	1
10	02003834	BEARING,SPOOL	2
11	59302452	NUT,SLIP JOINT 40	1
12	02003823	BEARING,SPOOL-FG/MG	1
13	02204870	SPACER, FG	1
14	58802561	HOSE END OUTLET - 4" BALL	1
15	58800231	LEVER RING 4" 451 108MM	1
16a	25249620	HOSE, IRR SUPPLY REMNANT 4"(PERFT)	ft. 30
16b	58802840	HOSE ASSY,SUPPLY 4"X30FT	1
17	03019240	SUPRA CLAMP 104MM-112MM	4
18	58802660	HOSE END INLET 4	1
19	40049270	BAND,RING LOCK 4 IN	1
20	02206560	ELBW,PE 120MM - FG1/MG1	1

Spool Assembly



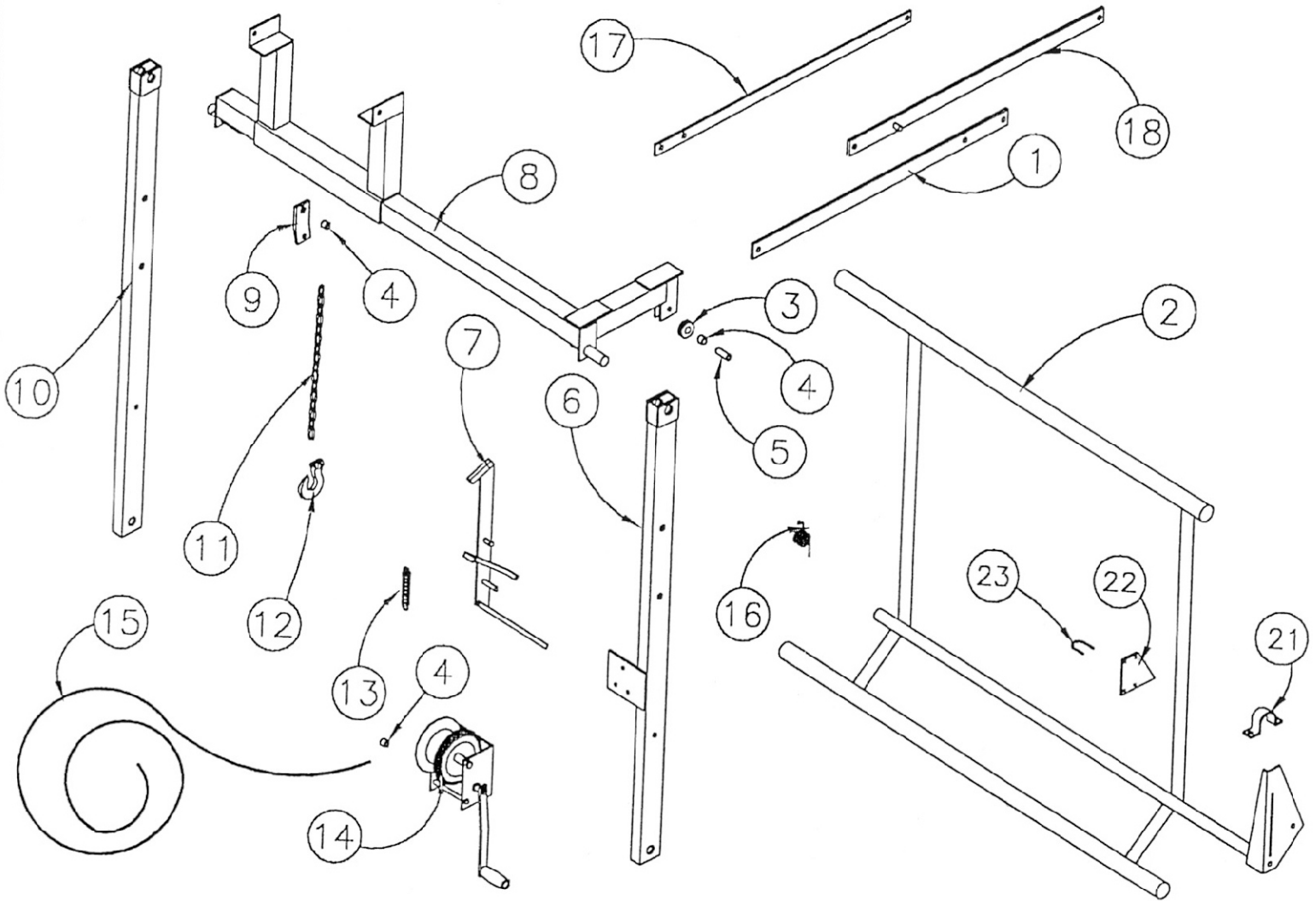
No.	Part Number	Description	Qty.
21	03019768	SUPRA CLAMP 130MM-140MM	4
22	02003831	HOSE, 140MMX4-3/4"ID X 40" LONG-FG1	1
23	02003833	BAND, HOSE 120MM	2
24	02003111	TUBE END, 120MM X FLANGE	1
25	02001140	CHAIN 1/2 METRIC ROLLER	ft. 14
26	02201110	LINK 1/2 CONNECTOR	1
27	02201100	LINK, 1/2" OFF-SET METRIC	1
28a	58401730	TUBE, PE 120MM X 4.0 ID X 1250 FT	1
28b	58401732	TUBE, PE 120MMX4.0IDX1350FT	1
29	02206580	SPOOL, COMPLETE - FG1	1
30	02200460	RING, ANTIFRICTION	1
31	02099202	GASKET, 5.75"BCD 4.3 ID	1
32	46548502	O-RING 5-3/4X5-1/4 90DURO	1
33	59603020	WASHER, SPOOL BEARING 40	8
34	25249392	TUBE, SYN FLEX 5/16 OD	ft. 5
35	52549152	FTG, TB 90 1/4NNPTX5/16TUB	1

Levelwind Assembly



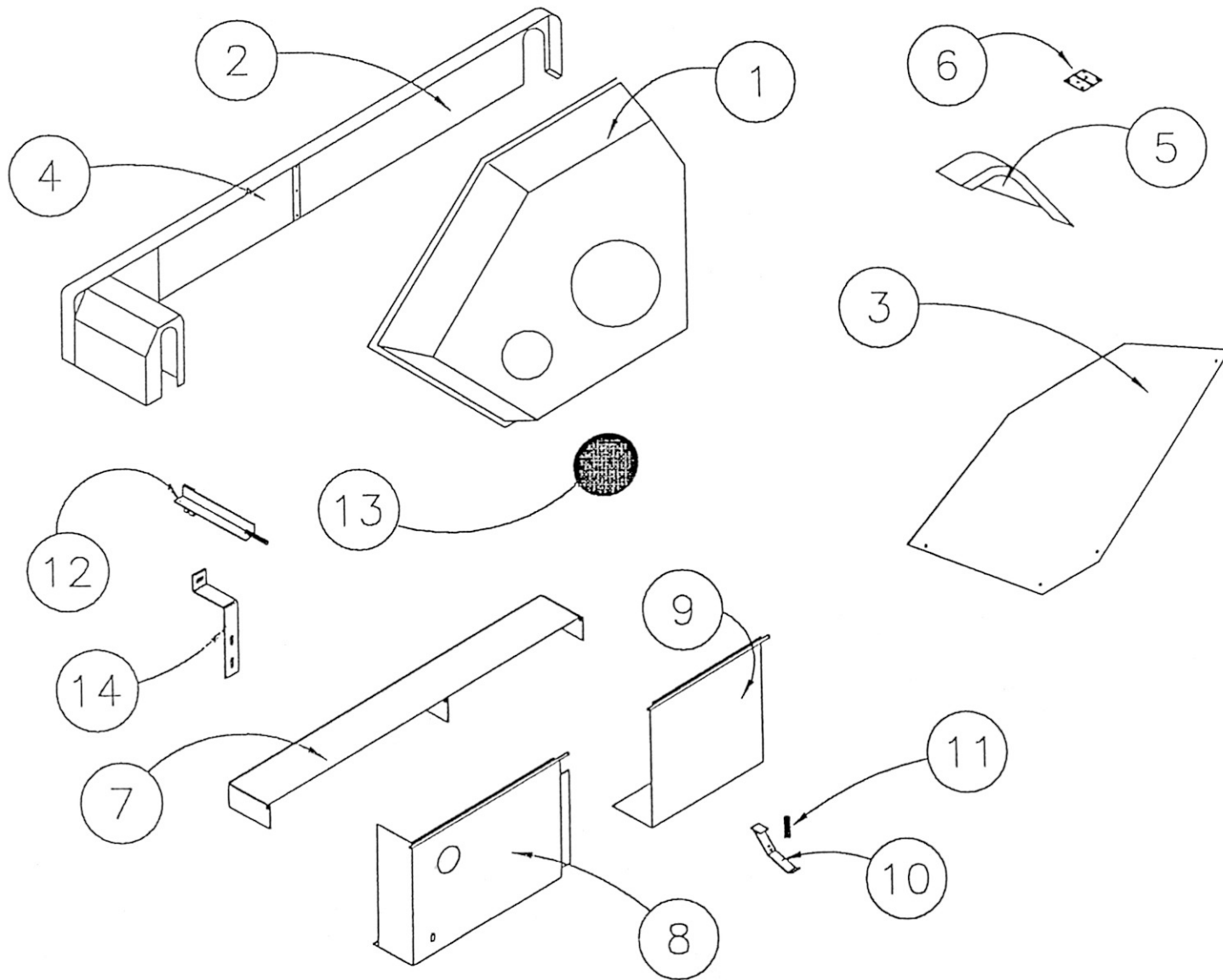
No.	Part Number	Description	Qty.
1a	02200160	FRAME,HOSE GUIDE	1
1b	02201030	LEVELWIND ASSY, COMPLETE FF1/FG1	1
2	02000153	HUB, SPROCKET	1
3	02099148	SPRKT,IDLER Z10 1" PITCH 25MM BORE	1
4	55306280	BUSH,MACH 1-1/2X1X18GA	1
5	52662540	RING,RET EX	1
6	02203870	ROLLER	2
7	02000141	SUPPORT,FORK	1
8	02099143	LINK,HOSE GUIDE	1
9	02004865	CHAIN 112 ROLLER OF 1"	1
10	02000776	CLIP,RETAINING	1
11	58902140	PIN,SPRING 7MM X 45MM	1
12	02209040	SPROCKET, 10 TOOTH 1.0" PITCH	1
13	02000152	SCREW,12MMX25MM DOGPOINT(7.5MM DIA)	2
14		Bolt, 8-125mm x 25mm	6
15	02000154	GEARBOX - LEVELWIND (CAST)	1
16a	02001350	FORK, 120MM - FG1	1
16a		not available	
17	02201360	SPACER	1
18	02201340	TIE ROD	1
19	02099157	SPRKT- 1/2 X 40T	1

Shutoff/Boom



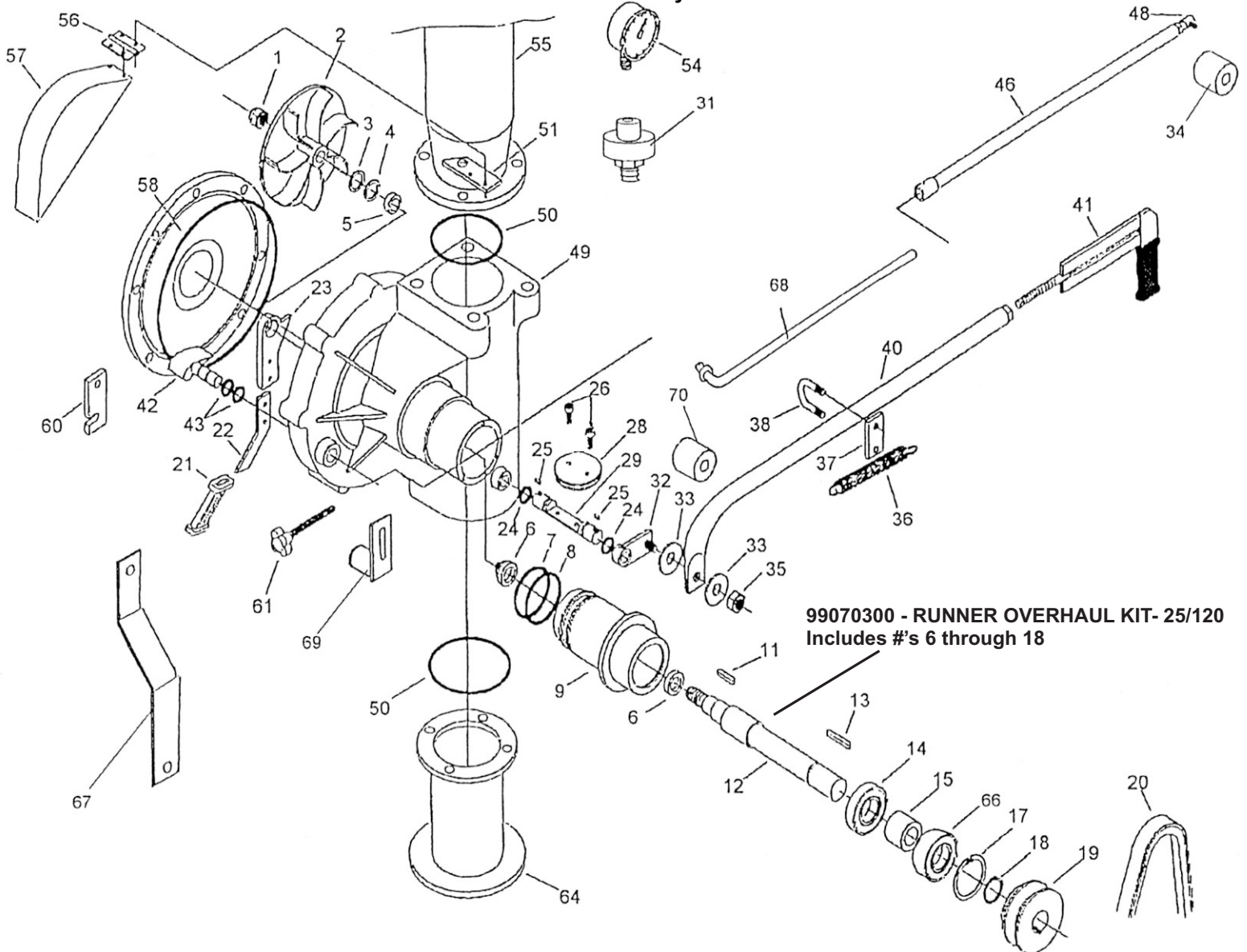
No.	Part Number	Description	Qty.
1	59500670	BRACE	2
2	02204930	SHUT OFF BAR FG1	1
3	40249060	PLLY,WRP17/32X2X7/8B STL	1
4	32551910	BUSH,STL.843X.56X.62L	4
5	59500540	BUSH,STL 3/4X.51X1.75L	1
6	59403391	ARM,LIFT	1
7	59404760	BOOM,CATCH	1
8	59403491	BOOM,LIFT ASSM.	1
9	59500730	LINK,BOOM CHAIN	2
10a	59403361	ARM,LIFT	1
10b	59501980	BUSH,STL 1-1/8X.88X1.38	2
11	85040600	CHAIN,3/8 PROOF COIL PLTD	ft. 1.8
12	52355650	HOOK,CLEVIS SLIP 3/8 ZN	2
13	45035360	SPRING TNSN 1 X 6 PLATED	1
14	40048551	WINCH FULTON K 1550	1
15	75048440	CABLE,1/4-7X19 GAC PER FT	ft. 12
16	02000166	SPRING, COIL - SHUT OFF	1
17	59500690	TRANSPORT STRAP	2
18	59500680	BRACE	2
20	02201631	Cap Plug	4
21	02000164	RETAINER	1
22	02201612	STOP	1
23	02206650	U-BOLT 1" M6	2

Shield Group



No.	Part Number	Description	Qty.
1	02206590	HOOD, SIDE 40	1
1b	59702810	LATCH, RUBBER DRAW	2
2	02201232	GUARD, LEVELWIND TOP - FG1	1
3	59300394	SHIELD SPOOL 40 320,000UP	5
4	02201220	SHIELD, LEVELWIND BOTTOM	1
5	02203880	SHIELD, BELT	1
6	02203890	HINGE	1
7	59506160	HOOD MT.	1
8	59506370	SHIELD SIDE REAR	1
9	59506360	SHIELD SIDE FRONT	1
10	59505380	HOOD LATCH	1
11a	45048582	SPRING .5 ODX2 X.047W	1
11b		Bolt, 1/4 x 1-3/4" (not shown)	1
11c		Bolt, 1/4 x 1/2" (not shown)	1
12	59700870	HOOD MT, TOP	1
13	02205400	DOOR	1
14	59700830	HOOD MT.	1

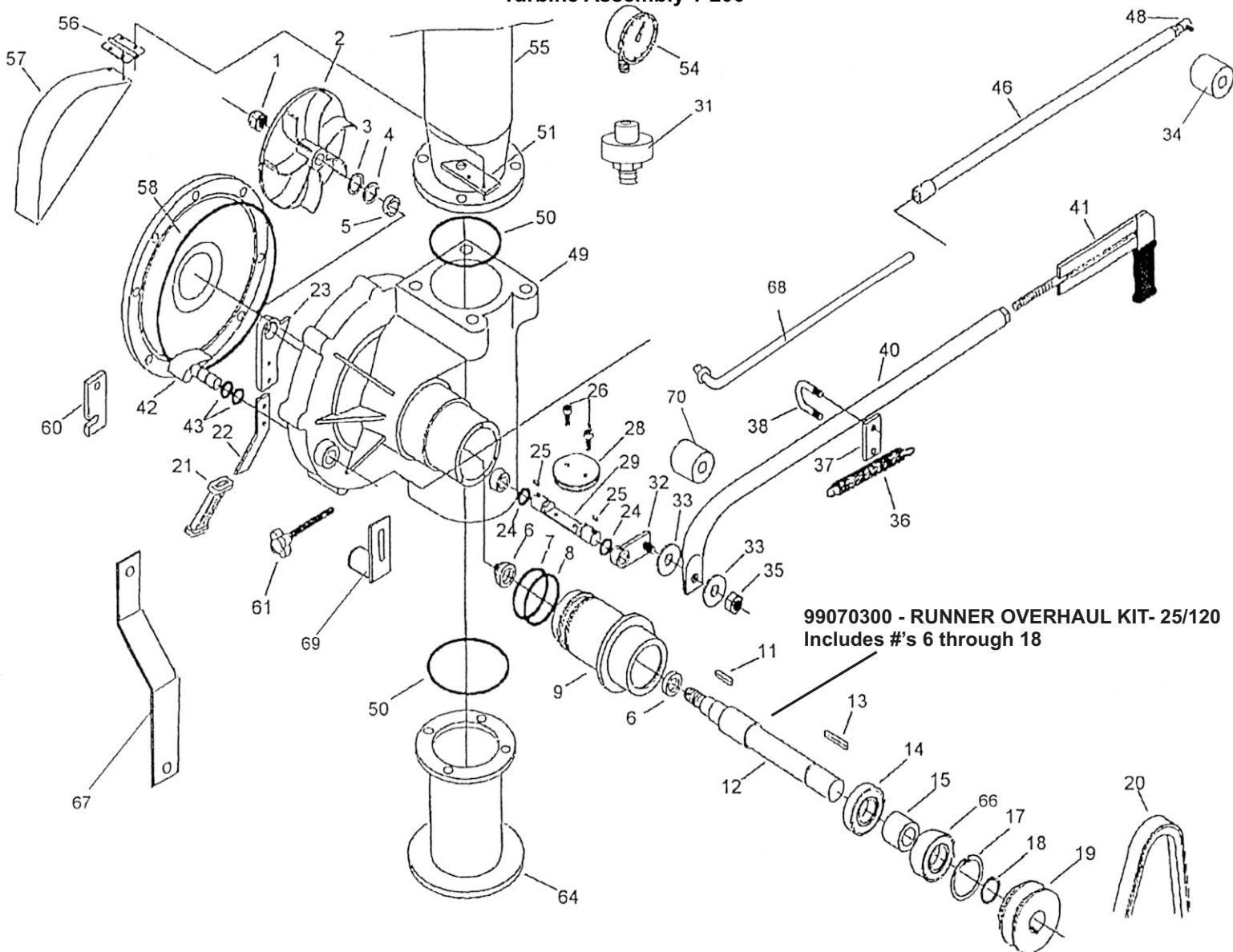
Turbine Assembly T-200



99070300 - RUNNER OVERHAUL KIT- 25/120
Includes #'s 6 through 18

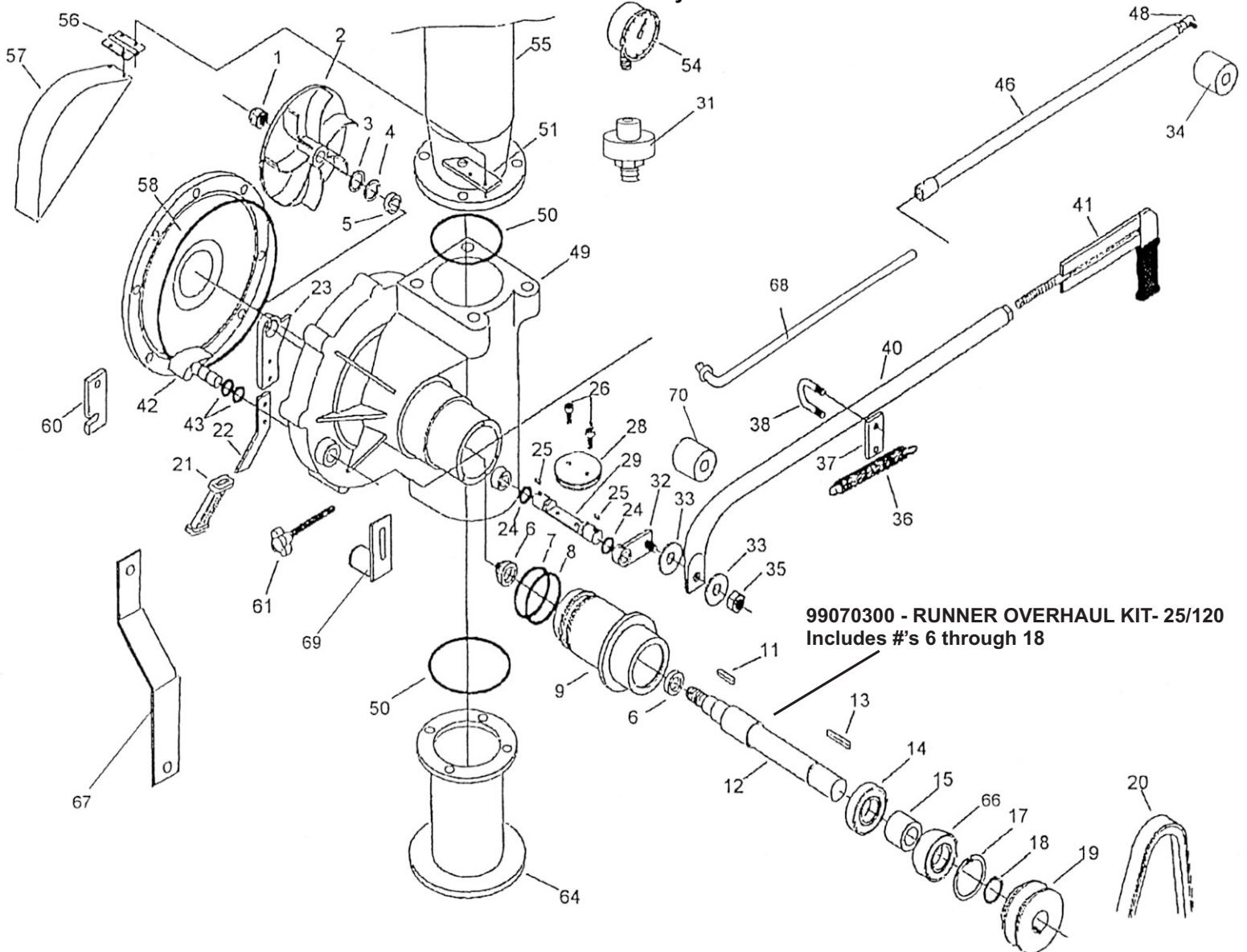
No.	Part Number	Description	Qty.
1	02201980	NUT,SELF LOCKING M14 X1.5	1
2	02201993	IMPELLER 6.77ODX.87 VANE	1
3	02205430	SHIM,MYLLAR 16.2X23.8X.25	2
4	02203002	SPACER,25MM X 16MM X 15.5MM LONG	1
5	02205440	SPACER 25MM X 20MM X 5MM	1
6	02205450	SEAL,20 X 6	1
7	02205460	O-RING 4MM X 54MM	2
8	02205461	O-RING 2.36 ID X .103 C/S	1
9	02205480	TURBINE HUB T 200 25/120	1
11	02203370	KEY 5 X 10	1
12	02205500	SHAFT,IMPELLER 25/120	1
13	02205510	KEY 6 X 50	1
14	02201670	BEARING,6204-2RS	1
15	02205521	SPACER 1.795 LONG	1
17	02203240	STOP RING I47	1
18	02203230	RETAINING RING E20	1
19	02205920	PLLY,100MM,75MM,53MM3STEP W/SETSCR	1
20	02206630	BELT,A-87	1
21	02204140	HAND GRIP MOD. 1040-20X6	1
22	02205570	LEVER,BY-PASS	1
23	02205580	LEVER, BY-PASS - 25/120	1
24	02205590	O-RING 15.54MM ID X 2.6MM	2

Turbine Assembly T-200



No.	Part Number	Description	Qty.
25	02203190	KEY 6X10	2
26	02203050	SCREW,6-1MM X 16MM	2
28	02205620	DISC,BY PASS	1
29	02205632	SHAFT,BYPASS W/GROOVES	1
31	59901460	GAUGE PROTECTOR	1
32	02205640	BY-PASS LEVER	1
33	02205650	WASHER,10 X 30	2
34	02206600	SPACER, 1" OD X 2.4" 8MM THREAD-FG1	1
35		Nut, M10	1
36	02203180	SPRING BELT TIGHTENER	1
37	02203170	PLATE,CLAMP	1
38	02203120	U-BOLT	1
40	02205741	ROD, BY-PASS - FG1 67" END TO END	1
41	02203162	U-BOLT	1
42	02205660	REGULATOR FLAP WITH PIN	1
43	02203310	O-RING 8.73MM ID X 1.78MM CS	2
46	02205691	BY-PASS ROD 63.7" LONG FG1	1
48	02203410	ROD END	1
49	02203021	BODY,TURBINE 25/120	1
50	02204840	O-RING 104MM X 3.53MM	2
51	02205710	SUPPORT - FG1	1
54	58606750	GAUGE, PRESS 0-300	1

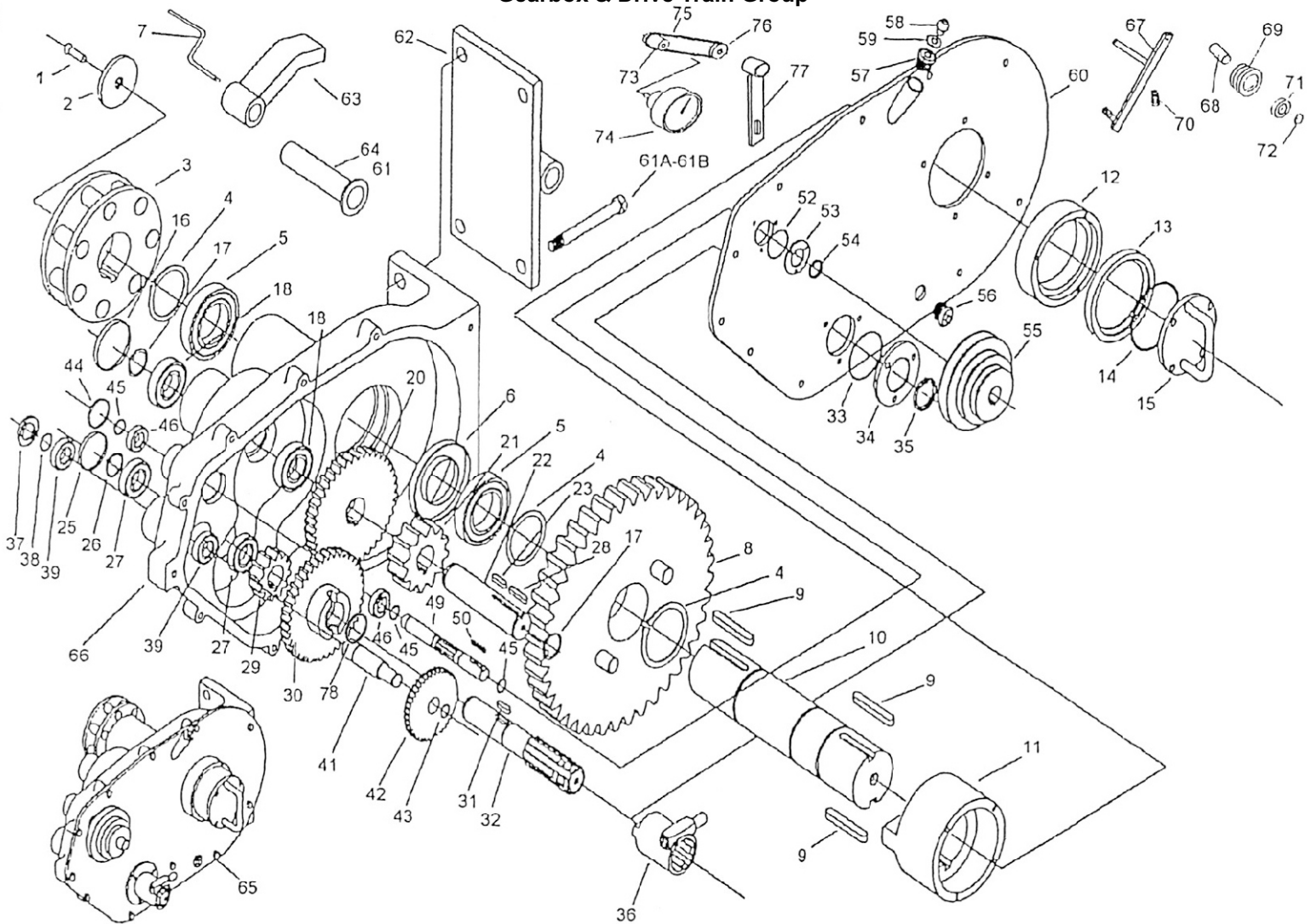
Turbine Assembly T-200



99070300 - RUNNER OVERHAUL KIT- 25/120
Includes #'s 6 through 18

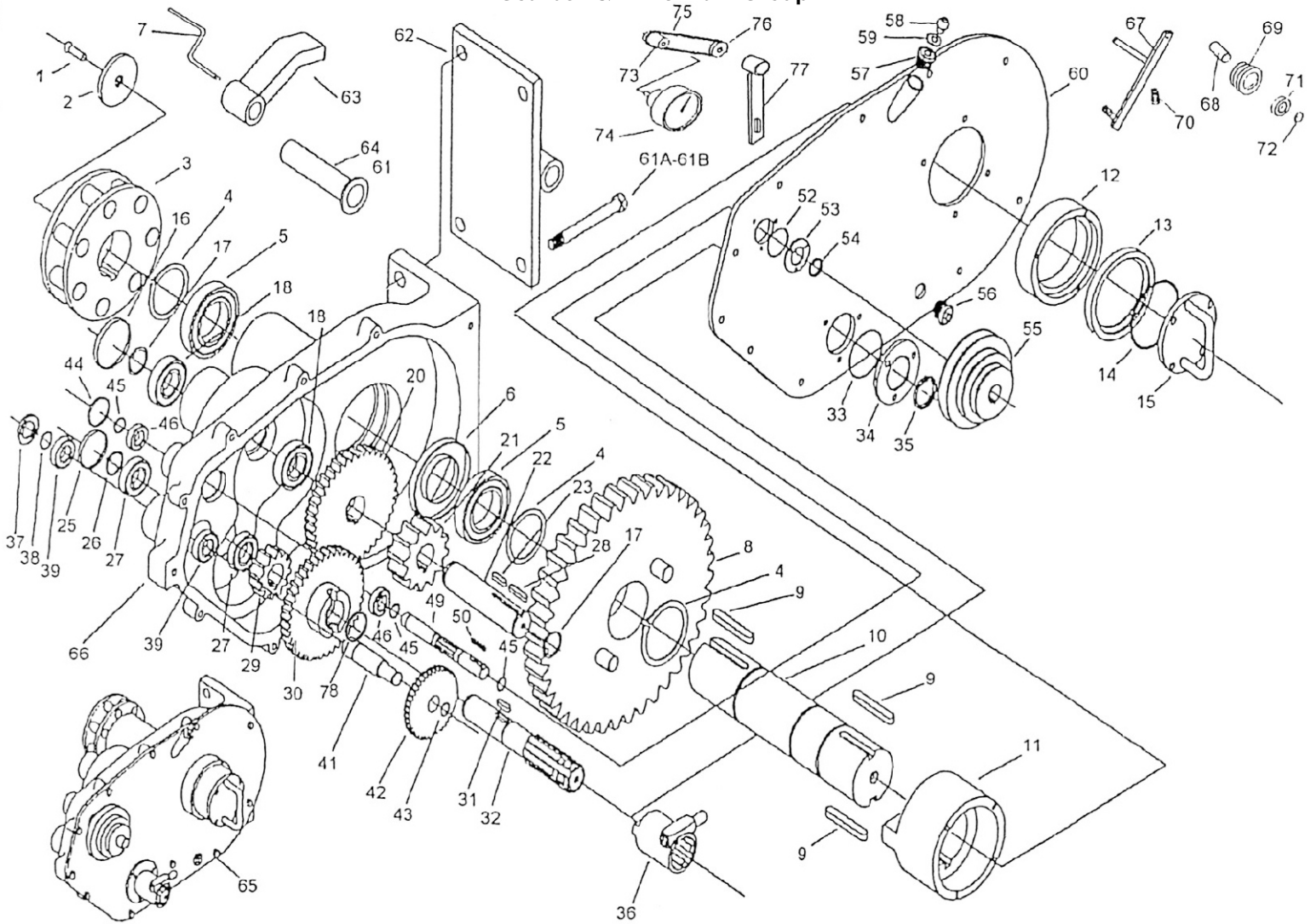
No.	Part Number	Description	Qty.
55	02206550	ELBW,40 UPPER	1
56	02203890	HINGE	1
57	02203880	SHIELD, BELT	1
58	02205720	O-RING 278.99MM ID X 3.53C/S	1
60	02205730	PLATE, STOP 25/120	1
61	02203910	HAND WHEEL KNOB	1
64	02203081	FITTING, ENTRY - 25/120 TURBINE	1
65	99070300	KIT, RUNNER OVERHAUL - 25/120	1
66	02201671	BEARING,5204-2RS	1
67	02206480	ARM, COMPENSATION - FG1	1
68	02206490	ROD, INNER COMP. AA AND A1	1
69	02206500	LOOP, COMPENSATOR - 10/50, 25/120	1
70	02206610	SPACER, 10MM THREAD - FG1	1

Gearbox & Drive Train Group



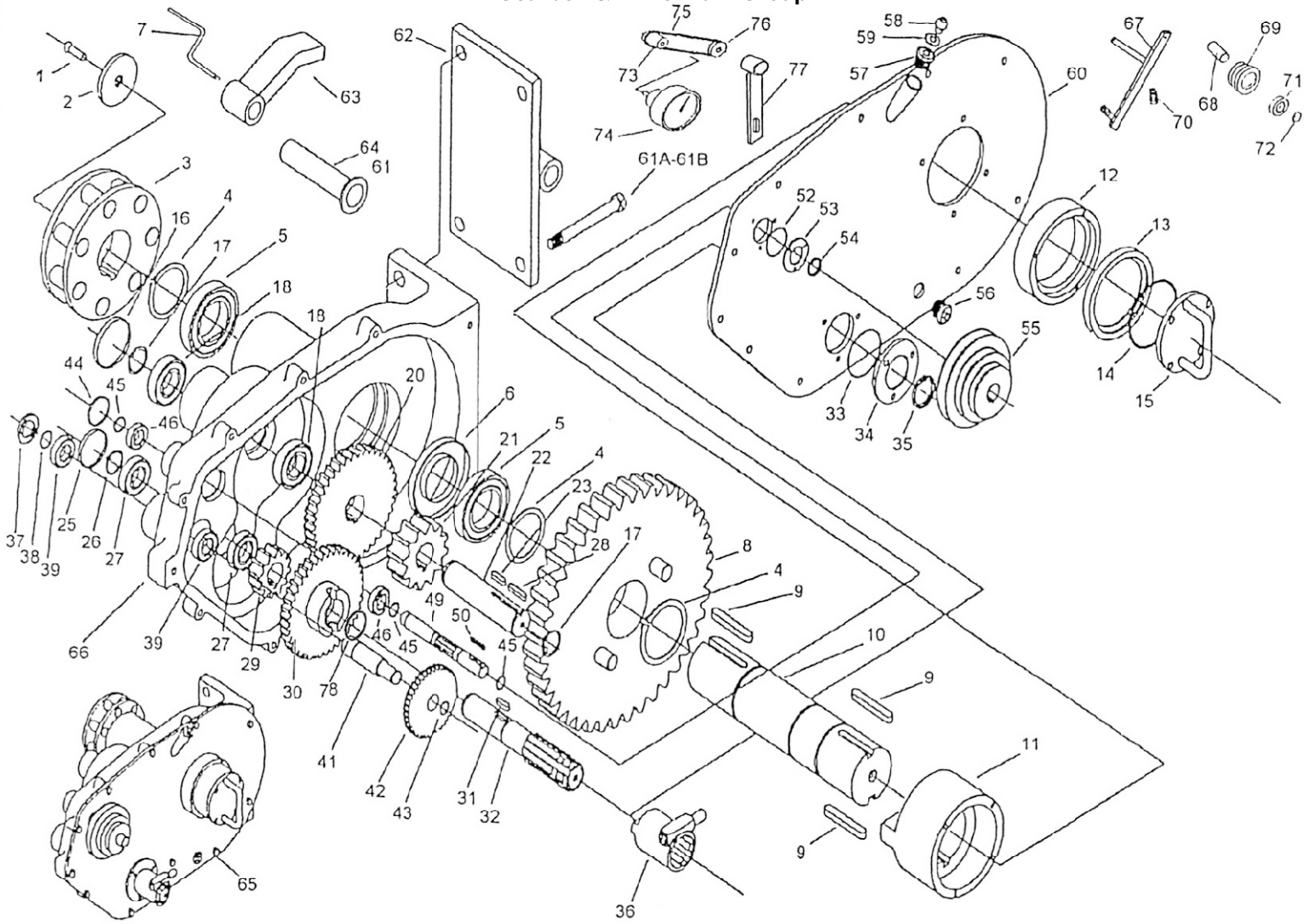
No.	Part Number	Description	Qty.
1	55070110	SCREW 10MMX25MM ALEN FLAT	1
2	02205060	WASHER,SPECIAL	1
3	02206070	PINION Z7 PIN DIA 26MM	1
4	02206080	SNAP RING E-55	3
5	02205010	BEARING,6211-2RS	2
6	02206090	SEAL 21660	1
7	59700880	PAWL RETAINER	1
8	02206100	PINION MGZ52	1
9	02206110	KEY 12MMX10MMX55MM	3
10	02206120	SHAFT	1
11	02206130	Clutch R521	1
12	02206140	CLUTCH,FLANGE	1
13a	02206890	SEAL,CHEVRON 105MM ID	1
13b	02206860	SEAL RETAINER RING	1
14	02206850	O-RING,3.359"ID X .139"CS	1
15	02206170	CLUTCH CAP	2
16	02206180	PLUG DIA 80	2
17	02206190	SNAP RING, E40	1
18	02204620	BEARING,6208-2RS	1
20	02206200	Pinion z64 m3 dia.40	1
21	02206210	PINION	1
22	02206220	SHAFT	1
23	02206230	Key 12MM X 70MM	1
25	02206240	PLUG DIA 62	1
26	02201870	STOP RING E30	1
27	02099195	BEARING,6206-2RS	2

Gearbox & Drive Train Group



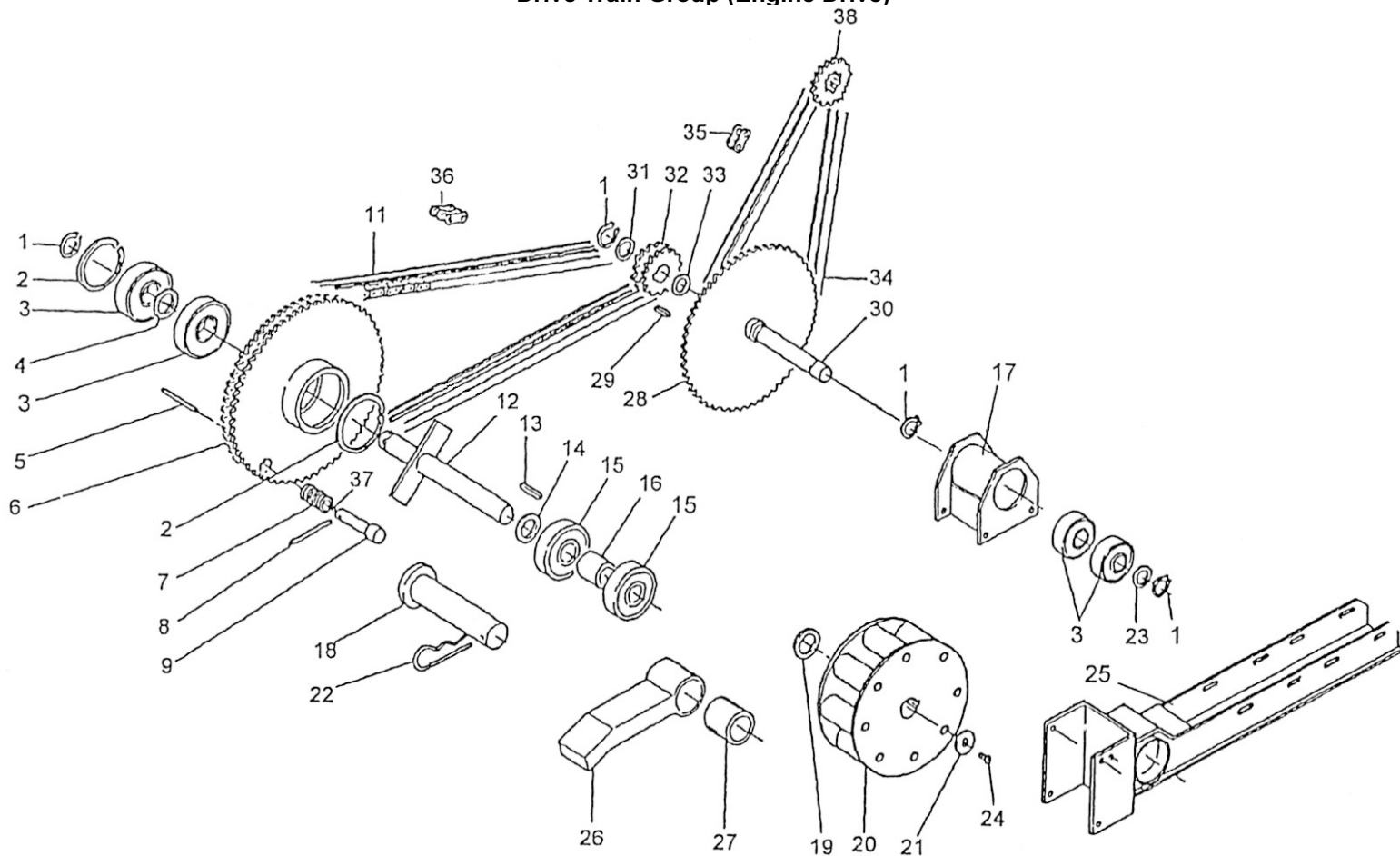
No.	Part Number	Description	Qty.
28	02203510	KEY, 10MM X 8MM X 30MM	1
29	02206250	PINION	1
30	02206260	PINION M2 Z80	1
31	02203510	KEY, 10MM X 8MM X 30MM	1
32	02206270	SHAFT,PTO DIA 30	1
33	02206280	O-RING,2.487"ID X .103"CS	1
34	02206290	PTO flange	1
35	02206300	SEAL,OIL 44MMX60MMX10MM	1
36	02206310	CLUTCH,JAW	1
37	02206320	SEAL 25MMX47MMX10MM	1
38	02201680	RETAINING RING E20	2
39	02203440	BEARING,6005-2RS	2
41	02206330	SHAFT DIA 25	1
41	02206340	DOUBLE PINION	1
44	02206350	PLUG DIA 47 X 7	1
45	02203420	SNAP RING E25	3
46	02201670	BEARING,6204-2RS	2
49	02206360	SHAFT,INLET	1
50	02203190	KEY 6X10	1
52	02206370	O-RING 1.3"ID X .103"CS	1
53	02206380	FLANGE,INLET	1
54	02206390	SEAL 7909	1
55	02205930	PLLY,3 STEP 100,125,147 W/SETSCRW	1
56	52502620	PLUG,GLV SQ HD 1/4	1
57	02206400	Plug, F.3/4	1

Gearbox & Drive Train Group



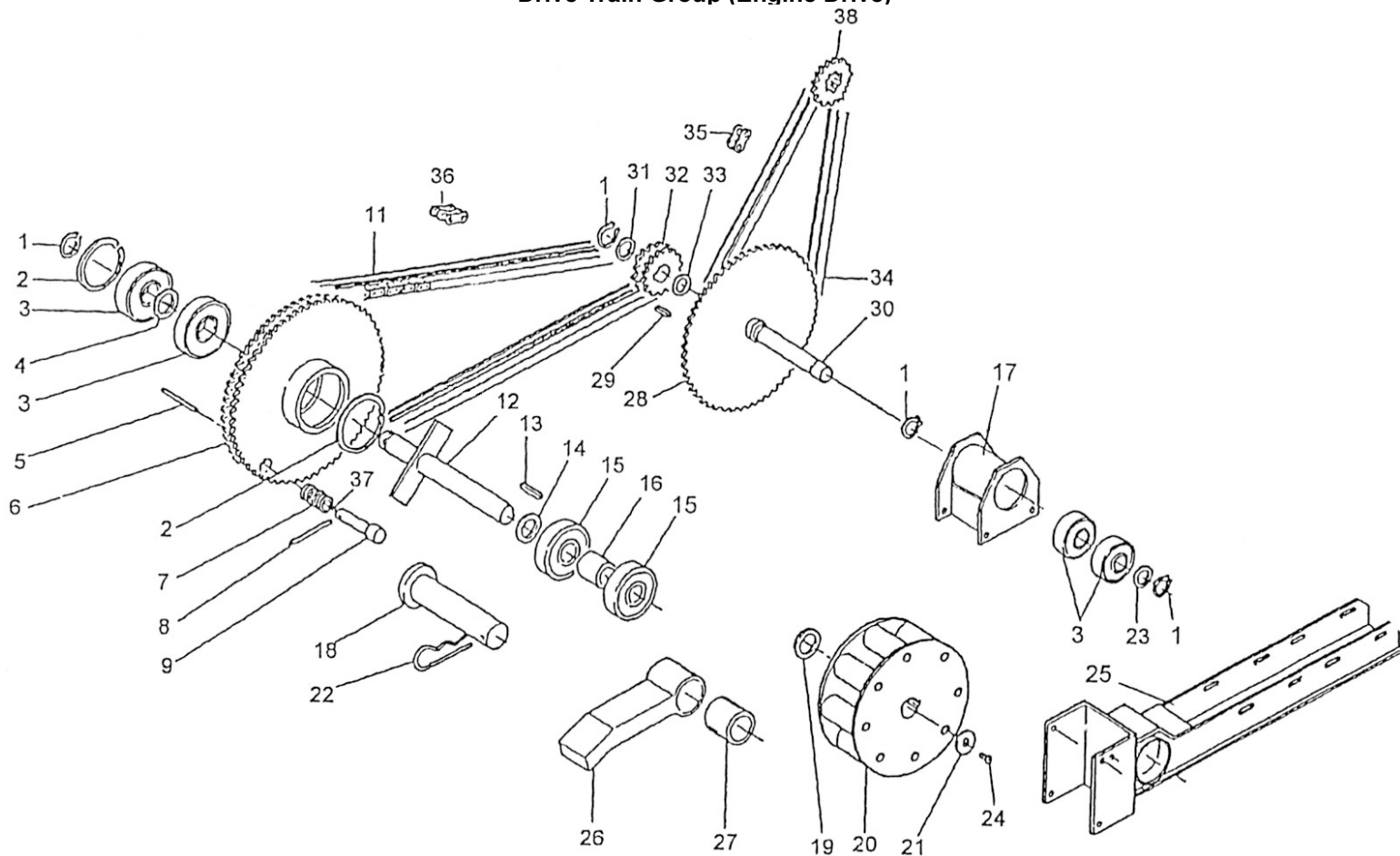
No.	Part Number	Description	
58	02206410	BREATHER, 1/4"	1
59	02206420	Washer	1
60	02206430	Gearbox Cover	1
61a		Screw 16-2.0mm x 150mm	2
61b		Screw 16-2.0mm x 160mm	2
62	02206440	Mounting Plate	1
63	02205210	PAWL, NON RETURN FG1 & FF1	1
64	02205200	PIN, ANTI REVERSE	1
65	02206450	GEARBOX ASSEMBLY	1
66	02206460	Gearbox Body	1
67	02206511	Lever for Belt	1
68	02206530	SHAFT, BELT IDLER	1
69	02206540	PULLEY IDLER 3 GROOVE	1
70	02203180	SPRING BELT TIGHTENER	2
71	02203440	BEARING, 6005-2RS	1
72	52662540	RING, RET EX	1
73	59404411	PULLEY, TACH .966	1
74	02201200	TACHOMETER ASM, 0-400 FT/HR A SERIES	1
75	02203661	BELT, TACH, DIA 3.5MM X 590MM	1
76	02206640	PULLEY TACH	1
77	02203671	METER COUNTER SUPRORT	1
78	02206770	O-RING 4MM X 30MM	1

Drive Train Group (Engine Drive)



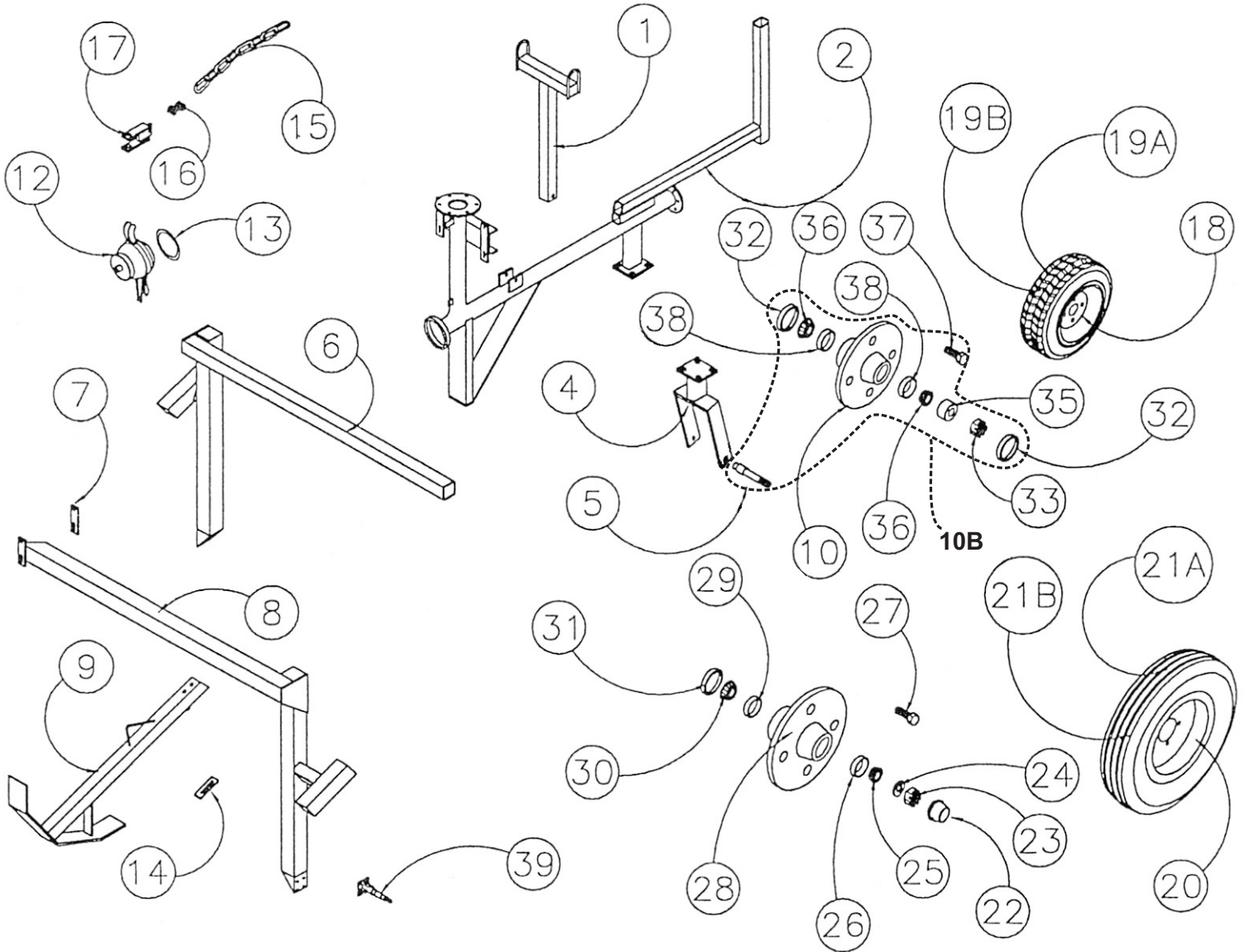
No.	Part Number	Description	Qty.
1	02205340	SNAP RING E35	4
2	02204940	SNAP RING I72	2
3	02203530	BEARING,6207-2RS	4
4	02204950	SPACER	1
5	02204770	Support	1
6	02204960	SPROCKET ASM 3/4" Z60 SINGLE	1
7	02203470	SPRING	1
8	02203480	PIN	1
9	02203490	PIN	1
11	87548473	CHAIN 3/4"-2DW RLLR PER FT	ft. 4.813
12	02204980	SHAFT DIA. 55 CHECK MEMO? 002707/A	1
13	02204990	KEY 16 X 40	1
14	02205000	SPACER	1
15	02205010	BEARING,6211-2RS	2
16	02205020	SPACER	1
17	02205030	BEARING,SUPPORT	1
18	02205200	PIN, ANTI REVERSE	1
19	02205040	SHIM	1
20	02205050	PINION Z7 PIN DIA 26MM	1
21	02205060	WASHER,SPECIAL	1
22		Hair Pin	1

Drive Train Group (Engine Drive)



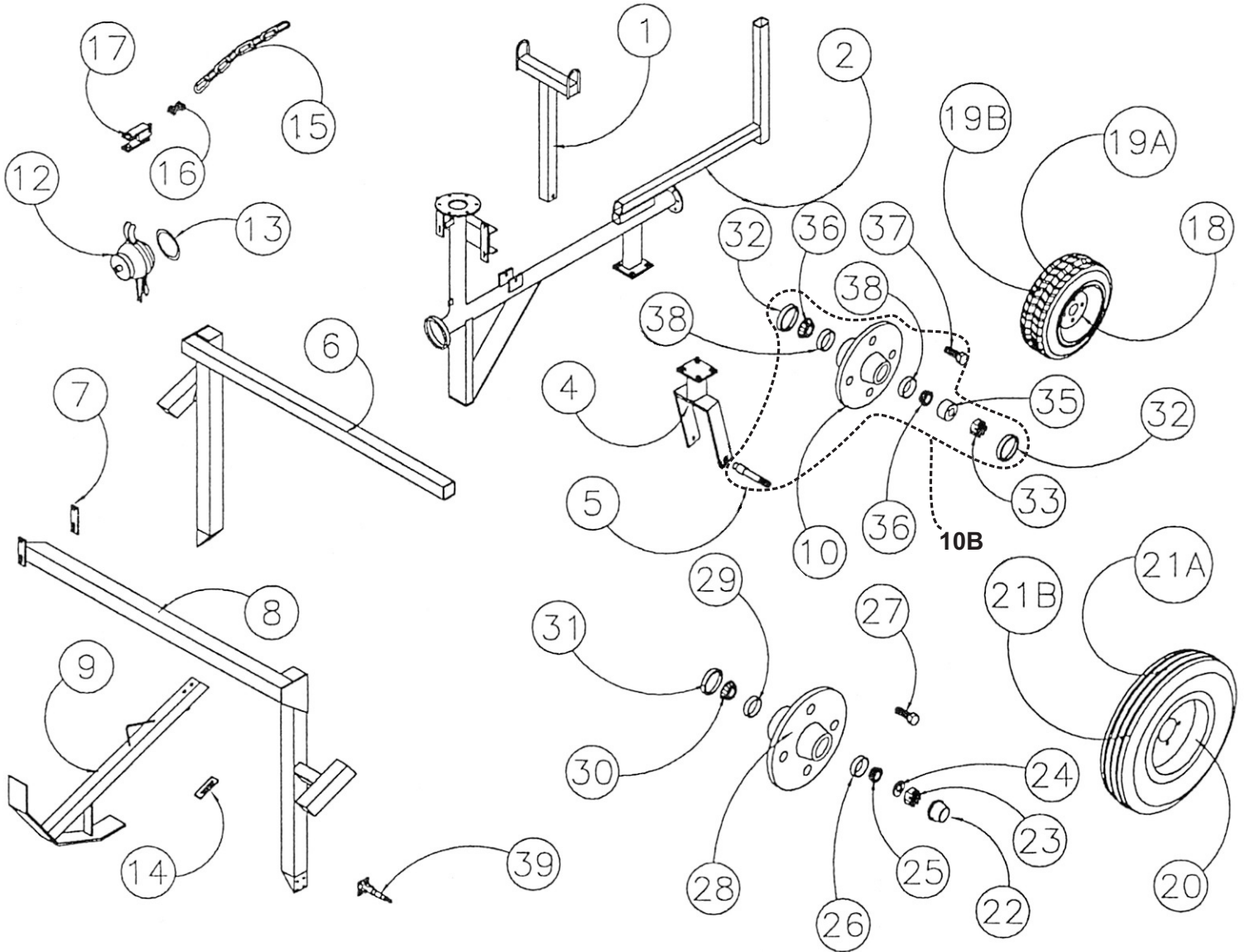
No.	Part Number	Description	Qty.
23	02205350	SPACER, 35MM X 45MM X 1MM	2
24	55070110	SCREW 10MMX25MM ALEN FLAT	1
25	02208060	FRAME, POWERTRAIN SUPPORT - FG1	1
26	02205210	PAWL, NON RETURN FG1 & FF1	1
27	02205220	Dampener	1
28	02205090	SPROCKET 5/8"Z52 003591	1
29	02203510	KEY, 10MM X 8MM X 30MM	1
30	02205240	Shaft 35mm	1
31	02205070	SPACER, 35MM X 45MM X 1MM	1
32	02205110	SPROCKET 3/4"Z13 002945	1
33	02205350	SPACER, 35MM X 45MM X 1MM	1
34	02001141	CHAIN 5/8 METRIC ROLLER PER FT.	ft. 3.3
35	30203671	LINK, 5/8 CONNECTING	1
36	30248612	LINK 3/4-2DBL WD CONN MET.	1
38	02205140	SPROCKET 5/8"Z13 002445/B	1
39		Rear Mt. Support (ot Shown)	1

Sprinkler Cart Assembly



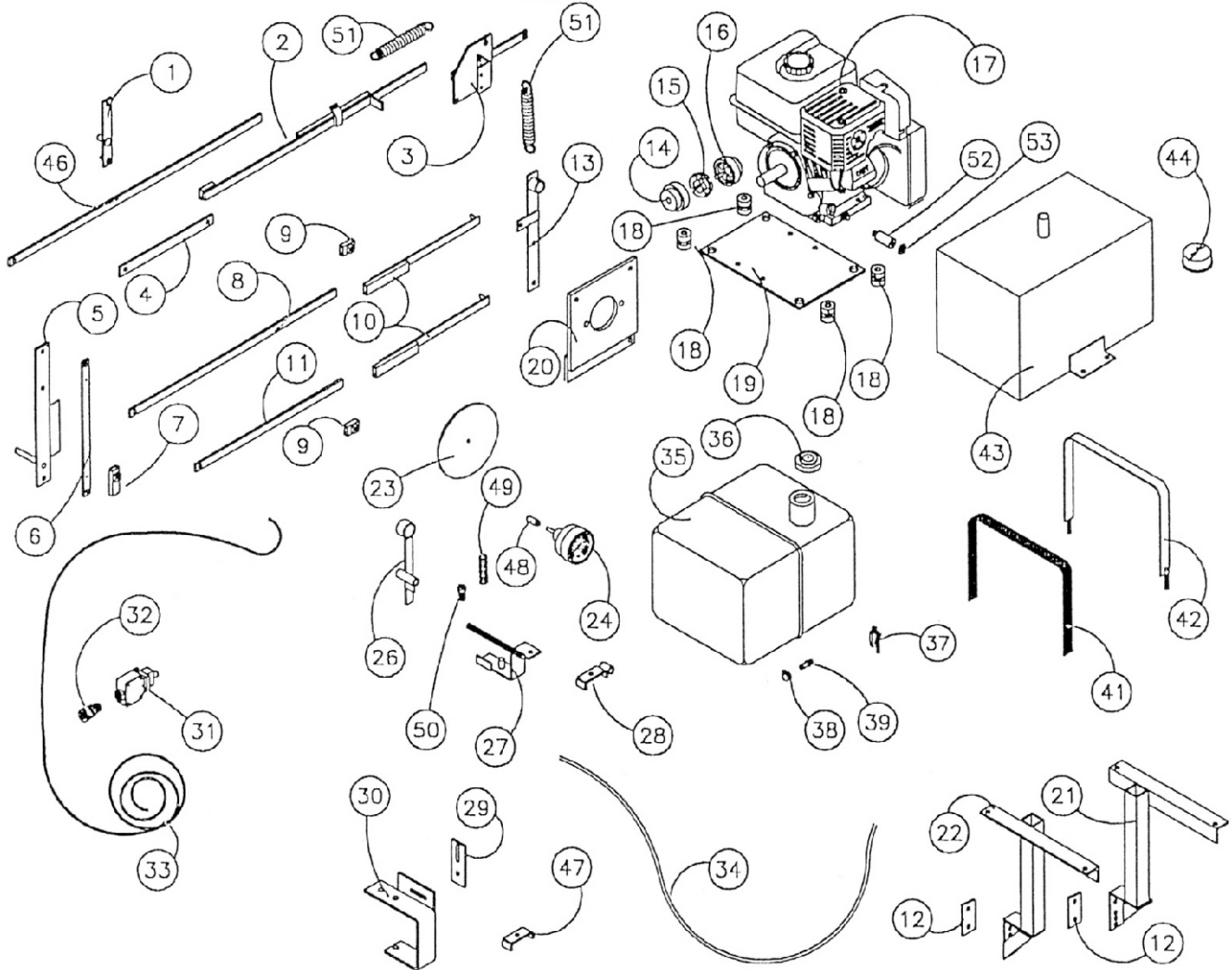
No.	Part Number	Description	Qty.
1	59100031	BAIL,LIFT	1
2	59403824	Body Guncart	1
4	06009974	YOKE, FRONT	1
5	06010199	AXLE,FRONT	1
6	59504920	LEG,INNER 37-40	1
7	58408430	STRAP	2
8	59504910	LEG,OUTER 37-40	2
9	59500480	LEG,STABILIZER GUNCART	2
10a	58803564	HUB,WITH RACES ONLY W440	1
10b	59503820	HUB & AXLE ASSM GUNCART40	1
11	85040590	CHAIN,3/16PROOF COIL PLTP	ft. 0.84
12	59406100	PLUG,GUNCART	1
13	58800233	SEAL RING 4" 6-3/8 OD X 9/16	1
14	59700910	PIN,3/8 X 2.5	2
15	85040600	CHAIN,3/8 PROOF COIL PLTD	ft. 3
16	52353941	CLEVIS,DBL CMBL 542-3301	2
17	52354210	HITCH, CHAIN	1
18	59302640	WHEEL,8X5.75 4BOLT 4BCD	1
19a	59302650	TIRE,16X6.5X8 4 PLY	1
19b	59302651	TUBE,INNER 16X6:50X8	1
19c	59506060	WHEEL&TIRE,16X6:50X8 4PG	1
20	50201740	WHEEL&TIRE ASSY 6.70X15 5"BCD4BOLT	2

Sprinkler Cart Assembly



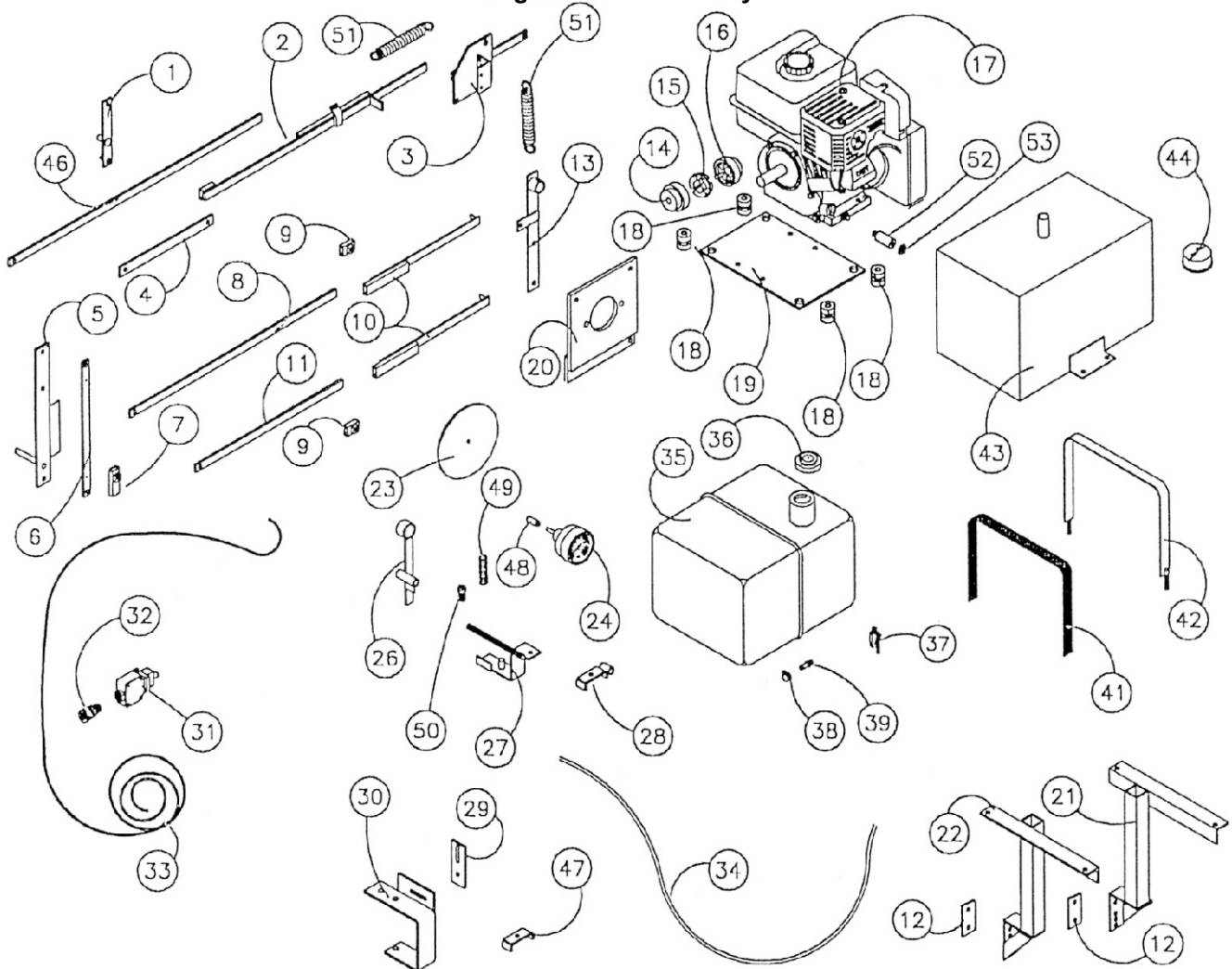
No.	Part Number	Description	Qty.
21a	22702560	TIRE,6.70X15 4 PLY	2
21b	22702561	TUBE,INNER 5:90 & 6.70X15	2
22	22709360	CAP,HUB	2
23	55209440	NUT,SLOTTED NF 5/8	2
24	55306280	BUSH,MACH 1-1/2X1X18GA	2
25	51509420	BEARING,TIMKEN LM11949	2
26	58900640	RACE,OUTER LM11910	8
27	58900630	Bolt Wilton 9435491	2
28	58900650	HUB,WITH CUPS ONLY W633	2
29	51009400	RACE,LM67010	2
30	51509390	BEARING,TIMKEN LM67048	2
31	58900660	SEAL,CR14975	2
32	58803565	SEAL,CR12437	2
33	51516020	nut 1" NFF Slotted	2
35	06002450	SLEEVE	1
36	58803563	BEARING,TIMKEN L44643	2
37	58803560	BOLT,LUG WILT 913535	4
38	50702930	KIT, CUP AND CONE SET	2
39	59504930	SPINDLE,REAR GUNCART	2

Enaine Drive Assemblv



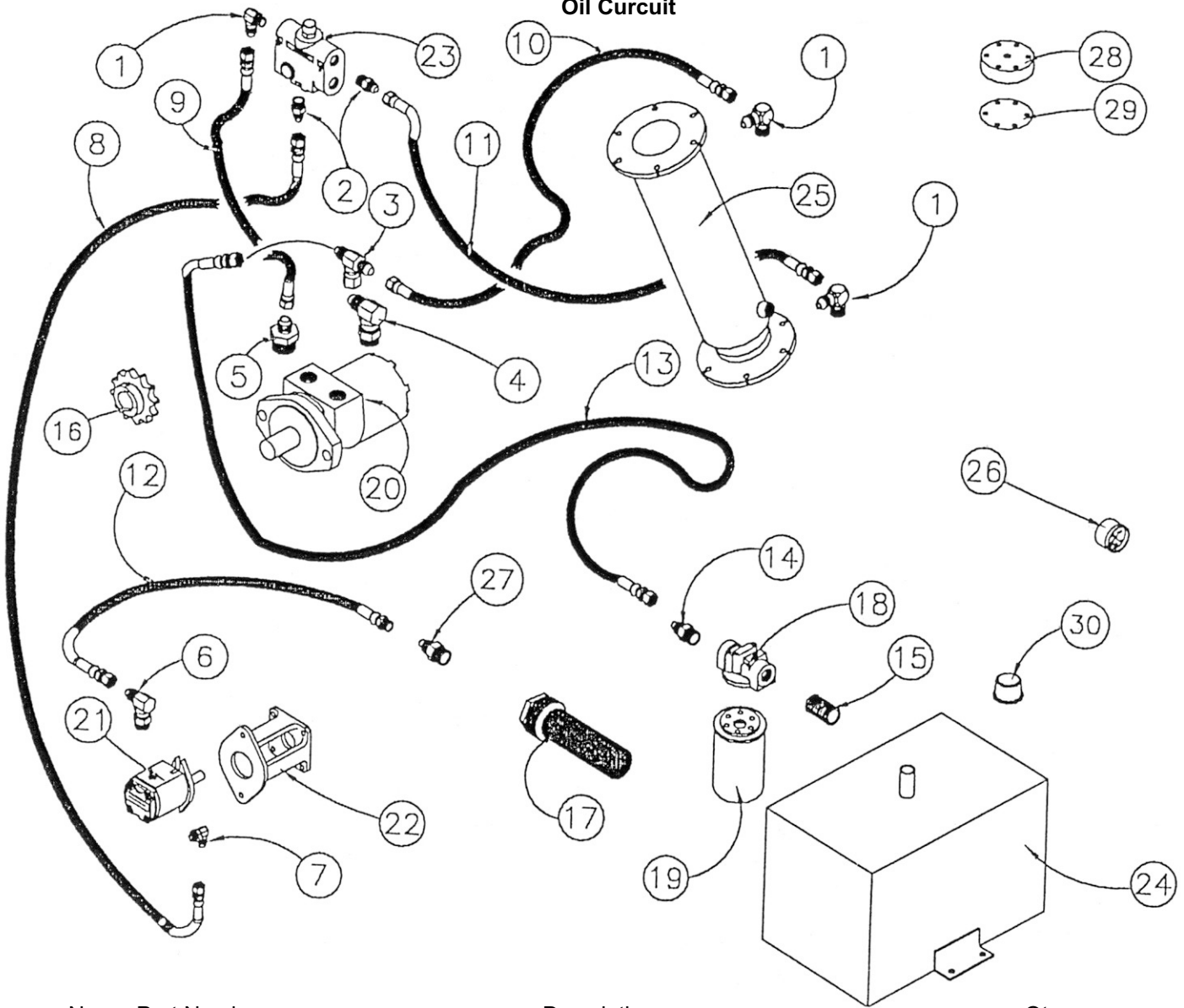
No.	Part Number	Description	Qty.
1	59505180	MT.SHUT OFF ROD	1
2	59505160	SHUT OFF BAR	1
3	59505100	SWITCH MT.	1
4	59506220	LINK,COMP.	1
5	59404501	Arm	1
6	59404490	LINK	1
7	50206540	SLIDE, SPEED ADJUST	1
8	59505170	SHUT OFF ROD (SWITCH)	1
9	59404480	SLIDE	5
10	59505930	SHUT OFF SLIDE (HYD)	2
11	59505220	COMP. BAR	1
12	59602640	PLATE,CLAMP	2
13	59404561	ARM	1
14	59501020	CPLNG,HALF PUMP 5/8" BORE	1
15	59501030	CPLNG,RUBBER 25 THROUGH40	1
16	59501010	CPLNG,HALF ENG 1" BORE	1
17	58407012	ENGINE,1" KEYED SHAFT HONDA - GX240	1
18	59404260	DAMPENER,MOTOR MT.	4
19	59500331	PLATE ENG B&S 9 HP	1
20	59505051	MT.HYD.MOTOR 40	1
21	59402753	MOUNT,RIGHT 5GAL GAS TANK	1
22	59402752	MOUNT,LEFT 5GAL GAS TANK	1
23	59602761	TACH PULLEY WITH TIRE	1

Engine Drive Assembly



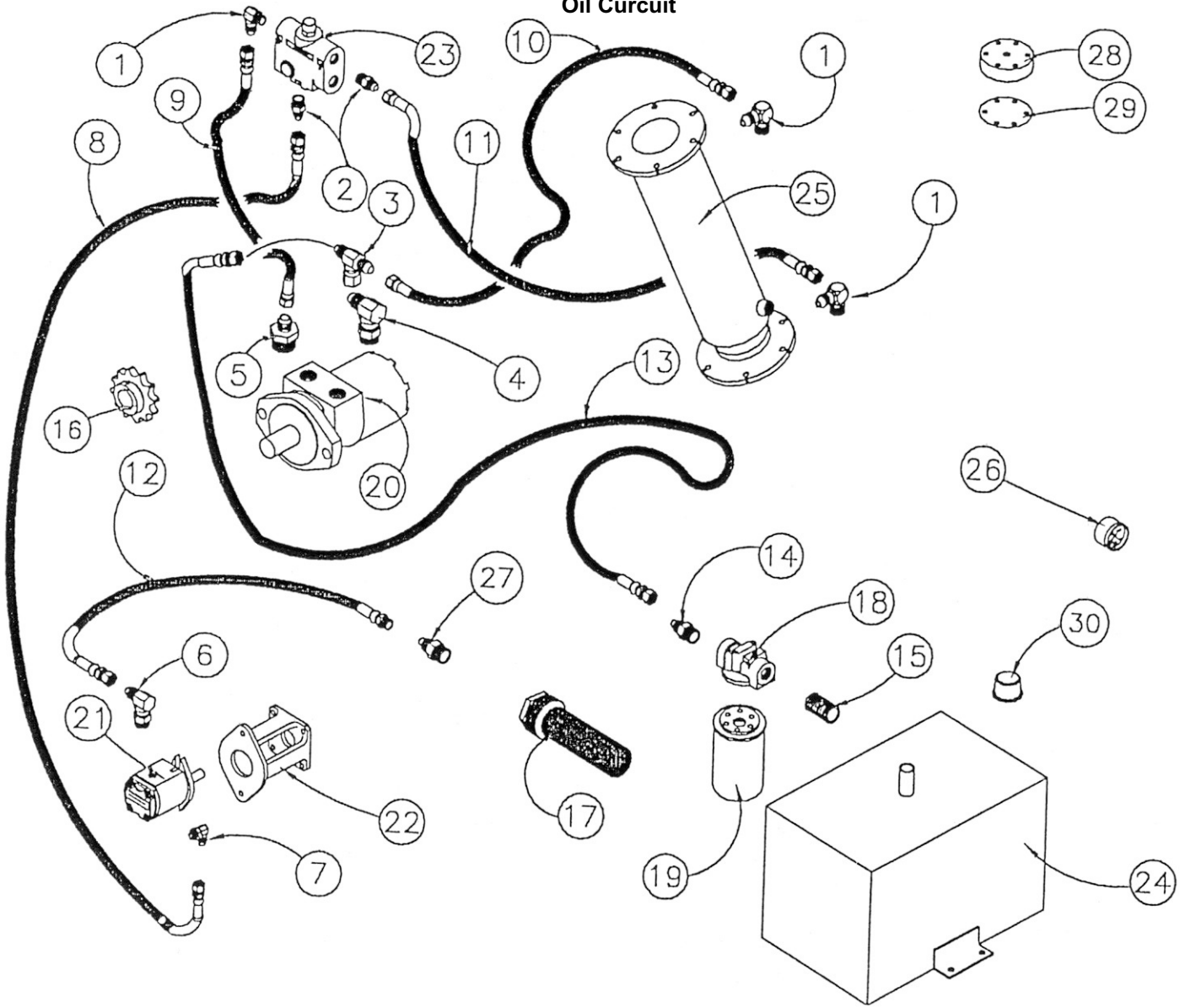
No.	Part Number	Description	Qty.
24	02201200	TACHOMETER ASM,0-400 FT/HR A SERIES	1
26	59505740	TACH HOLDER	1
27	59505680	TACH MT	1
28	59505500	CLAMP	3
29	59506210	HOOD CATCH MT.	1
30	59505530	BRKT	1
31	52662151	SWITCH 6 X 613	1
32	52662170	GROMMET,CMPRSSN 1/2 NPT	1
33	58406700	WIRE,ELECT.3 WIRE 14 GA	ft.
34	58406951	HOSE,GAS 1/4X27/64	ft. 1
35	58406930	TANK,FUEL&CAP 5.3GAL	1
36	58406939	CAP,TANK-5.3 GAL GAS	1
37	59603720	VALVE 1/4 TURN 1/8FNPT X 1/8MNPT	1
38	56048450	CLAMP,SCREW 7/32X5/8	2
39	52548760	BARB,HOSE BR 1/8 NPT X 1/4	1
41	58701670	BELTING,NEOP 5 PLY 1 IN	ft. 6
42	58406210	STRAP, GAS TANK	2
43	58600483	TANK,OIL 10 GAL	1
44	59501240	CAP,TANK-OIL	1
46	59505910	SHUT OFF ROD (HYD)	1
47	59404170	CLAMP,HYD HOSE	1
48	59602771	TACH PULLEY FF1 & FG1	1
49	45048580	SPRING,COMP 2-1/2X1/2ID PLTD	1
50	59600310	SPRING CATCH	1
51	45035360	SPRING TNSN 1 X 6 PLATED	2
52	59700001	Drain, Extension W/Washer	1
53	59700400	WASHER,ALUM .56X.8X.078 T	1

Oil Circuit



No.	Part Number	Description	Qty.
1	59501220	ADPTR,8MJICX1/2MNPTX90DEG	3
2	59501210	ADPTR,8MJICX1/2MNPT	2
3	59501200	ADPTR,8MJICX8FJIC-SWX8MJI	1
4	59501160	ADPTR,8MJICX10MSAE-90 DEG	1
5	59506040	ADPTR,8MJICX10MSAE	2
6	59501170	ADPTR,12MJICX12SAEX90DEG	1
7	59501160	ADPTR,8MJICX10MSAE-90 DEG	1
8	59506640	HOSE,8FJICX8FJIC90.37X132	1
9	59506630	HOSE3/8X24.2 8FJICX8FJIC	1
10	59506620	HOSE 3/8X54 8FJICX8FJIC	1
11	59506610	HOSE 3/8X60 8FJICX8FJIC90	1
12	59501140	HOSE,12FJICX12FJIC90.7 30	1
13	59506600	HOSE,3/8X97"8FJICX8FJIC90	1
14	59501230	ADPTR,8MJICX3/4MNPT	1
15	52501601	NPPL,CLOSE BR 3/4	1
16	88003710	SPRKT,50B12 1 BORE	1
17	59500800	FILTER HYD. OIL	1
18	59501060	HEAD,OIL FILTER	1
19	59501070	FILTER,SPIN HYD OIL	1
20	59500984	MOTOR HYD MK 12	1
21	59500990	PUMP,HYDRAULIC 37/40	1

Oil Curcuit



No.	Part Number	Description	Qty.
22	59501040	ADPTR,FLANGE,PUMP-ENG 8HP	1
23	59500970	CONTROL,FLOW 8GPM 37/40	1
24	58600483	TANK,OIL 10 GAL	1
25	59505300	OIL COOLER	1
26	59501080	GAUGE,OIL FILTER	1
27	59506050	ADPTR,12MJICX3/4MNPT	1
28	58606901	BODY,GAUGE PROTECTOR-TOP	1
29	58700460	DIAPHRAGM,GAUGE PROTECTOR	1
30	59501240	CAP,TANK-OIL	1